

**24ACB7**  
**Performance™ 17 2-Stage Air Conditioner**  
**with Puron® Refrigerant**  
**2 to 5 Tons**



## Product Data



## Performance SERIES

Carrier Air Conditioners with Puron® refrigerant provide a collection of features unmatched by any other family of equipment. The 24ACB has been designed utilizing Carrier's Puron refrigerant. The environmentally sound refrigerant allows you to make a responsible decision in the protection of the earth's ozone layer.

This product has been designed and manufactured to meet Energy Star® criteria for energy efficiency when matched with appropriate coil components. Refer to the combination ratings in the Product Data for system combinations that meet Energy Star® guidelines.

**NOTE: Ratings contained in this document are subject to change at any time. Always refer to the AHRI directory ([www.ahridirectory.org](http://www.ahridirectory.org)) for the most up-to-date ratings information.**

### INDUSTRY LEADING FEATURES / BENEFITS

#### Efficiency

- 14 -18 SEER / 11.5 - 13.8 EER
- Microtube Technology™ refrigeration system
- Indoor air quality accessories available

#### Sound

- Sound level as low as 73 dBA

#### Comfort

- System supports Thermidstat™ or standard 2-stage thermostat controls

#### Reliability

- Puron® refrigerant - environmentally sound, won't deplete the ozone layer and low lifetime service cost.
- Front-seating service valves
- 2-stage scroll compressor
- Internal pressure relief valve
- Internal thermal overload
- Low pressure switch
- High pressure switch
- Filter drier
- Balanced refrigeration system for maximum reliability

#### Durability

WeatherArmor™ protection package:

- Solid, Durable sheet metal construction
- Steel louver coil guard
- Baked-on, complete outer coverage, powder paint

#### Applications

- Long-line - up to 250 feet (76.2 m) total equivalent length, up to 200 feet (60.96 m) condenser above evaporator, or up to 80 ft. (24.38 m) evaporator above condenser (See Longline Guide for more information.)

## MODEL NUMBER NOMENCLATURE

1	2	3	4	5	6	7	8	9	10	11	12	13
N	N	A	A	A/N	N	N	N	A/N	A/N	A/N	N	N
2	4	A	C	B	7	3	6	A	0	0	3	0
Product Series	Product Family	Tier	Major Series	SEER	Cooling Capacity	Variations	Open	Open	Voltage	Minor Series		
24=AC	A=RES AC	C=Performnace	B=Puron	7=17 SEER		A=Standard	0=Not Defined	0=Not Defined	3=208/230-1	0, 1, 2...		



Use of the AHRI Certified TM Mark indicates a manufacturer's participation in the program For verification of certification for individual products, go to [www.ahridirectory.org](http://www.ahridirectory.org).



This product has been designed and manufactured to meet Energy Star® criteria for energy efficiency when matched with appropriate coil components. However, proper refrigerant charge and proper air flow are critical to achieve rated capacity and efficiency. Installation of this product should follow all manufacturing refrigerant charging and air flow instructions. **Failure to confirm proper charge and air flow may reduce energy efficiency and shorten equipment life.**

## STANDARD FEATURES

FEATURES	Unit Size – Series			
	24–30	36–30	48–30	60–30
Puron Refrigerant	X	X	X	X
Maximum SEER Rating	17	18	17	17
2–Stage Scroll Compressor	X	X	X	X
Louvered Coil Guard	X	X	X	X
Field Installed Filter Drier	X	X	X	X
Front Seating Service Valves	X	X	X	X
Internal Pressure Relief Valve	X	X	X	X
Internal Thermal Overload	X	X	X	X
Long Line capability	X	X	X	X
Low Pressure Switch	X	X	X	X
High Pressure Switch	X	X	X	X

X = Standard

# REFRIGERANT PIPING LENGTH LIMITATIONS

## Liquid Line Sizing and Maximum Total Equivalent Lengths† for Cooling Only Systems with Puron® Refrigerant:

The maximum allowable length of a residential split system depends on the liquid line diameter and vertical separation between indoor and outdoor units.

See Table below for liquid line sizing and maximum lengths :

### Maximum Total Equivalent Length Outdoor Unit BELOW Indoor Unit

Size	Liquid Line Connection	Liquid Line Diam. w/TXV	AC with Puron Refrigerant Maximum Total Equivalent Length†: Outdoor unit BELOW Indoor Vertical Separation ft (m)								
			0-5 (0-1.5)	6-10 (1.8-3.0)	11-20 (3.4-6.1)	21-30 (6.4-9.1)	31-40 (9.4-12.2)	41-50 (12.5-15.2)	51-60 (15.5-18.3)	61-70 (18.6-21.3)	71-80 (21.6-24.4)
024 AC with Puron	3/8	1/4	75	75	75	50	50	--	--	--	--
		5/16	250*	250*	250*	250*	250*	225*	175	125	100
		3/8	250*	250*	250*	250*	250*	250*	250*	250*	250*
036 AC with Puron	3/8	5/16	175	150	150	100	100	100	75	--	--
		3/8	250*	250*	250*	250*	250*	250*	250*	250*	250*
048 AC with Puron	3/8	3/8	250*	250*	250*	250*	250*	250*	230	160	--
060 AC with Puron	3/8	3/8	250*	250*	250*	225*	190	150	110	--	--

\* Maximum actual length not to exceed 200 ft (61 m)

† Total equivalent length accounts for losses due to elbows or fitting. See the Long Line Guideline for details.

-- = outside acceptable range

### Maximum Total Equivalent Length Outdoor Unit ABOVE Indoor Unit

Size	Liquid Line Connection	Liquid Line Diam. w/TXV	AC with Puron Refrigerant Maximum Total Equivalent Length†: Outdoor unit ABOVE Indoor Vertical Separation ft (m)							
			25 (7.6)	26-50 (7.9-15.2)	51-75 (15.5-22.9)	76-100 (23.2-30.5)	101-125 (30.8-38.1)	126-150 (38.4-45.7)	151-175 (46.0-53.3)	176-200 (53.6-61.0)
024 AC with Puron	3/8	1/4	100	125	175	200	225*	250*	250*	250*
		5/16	250*	250*	250*	250*	250*	250*	250*	250*
		3/8	250*	250*	250*	250*	250*	250*	250*	250*
036 AC with Puron	3/8	5/16	225*	250*	250*	250*	250*	250*	250*	250*
		3/8	250*	250*	250*	250*	250*	250*	250*	250*
048 AC with Puron	3/8	3/8	250*	250*	250*	250*	250*	250*	250*	250*
060 AC with Puron	3/8	3/8	250*	250*	250*	250*	250*	250*	250*	250*

\* Maximum actual length not to exceed 200 ft (61 m)

† Total equivalent length accounts for losses due to elbows or fitting. See the Long Line Guideline for details.

## REFRIGERANT CHARGE ADJUSTMENTS

Liquid Line Size	Puron Charge oz/ft (g/m)
3/8	0.60 (17.74) (Factory charge for lineset = 9 oz / 266.16 g)
5/16	0.40 (11.83)
1/4	0.27 (7.98)

Units are factory charged for 15 ft (4.6 m) of 3/8" liquid line. The factory charge for 3/8" lineset 9 oz.(266.16 g). When using other length or diameter liquid lines, charge adjustments are required per the chart above.

### Charging Formula:

[(Lineset oz/ft x total length) - (factory charge for lineset)] = charge adjustment

**Example 1:** System has 15 ft of line set using existing 1/4" liquid line. What charge adjustment is required?

Formula: (.27 oz/ft x 15ft) - (9 oz) = (-4.95) oz.

Net result is to remove 4.95 oz of refrigerant from the system

**Example 2:** System has 45 ft of existing 5/16" liquid line. What is the charge adjustment?

Formula: (.40 oz/ft. x 45ft) - (9 oz.) = 9 oz.

Net result is to add 9 oz of refrigerant to the system

24ACB7

# LONG LINE APPLICATIONS

An application is considered Long Line, when the refrigerant level in the system requires the use of accessories to maintain acceptable refrigerant management for systems reliability. See Accessory Usage Guideline table for required accessories. Defining a system as long line depends on the liquid line diameter, actual length of the tubing, and vertical separation between the indoor and outdoor units.

For Air Conditioner systems, the chart below shows when an application is considered Long Line.

## AC WITH PURON® REFRIGERANT LONG LINE DESCRIPTION ft (m) Beyond these lengths, long line accessories are required

Liquid Line Size	Units On Same Level	Outdoor Below Indoor	Outdoor Above Indoor
1/4	No accessories needed within allowed lengths	No accessories needed within allowed lengths	175 (53.3)
5/16	120 (36.6)	50 (15.2) vertical or 120 (36.6) total	120 (36.6)
3/8	80 (24.4)	35 (10.7) vertical or 80 (24.4) total	80 (24.4)

Note: See Long Line Guideline for details

# VAPOR LINE SIZING AND COOLING CAPACITY LOSS

Acceptable vapor line diameters provide adequate oil return to the compressor while avoiding excessive capacity loss. The suction line diameters shown in the chart below are acceptable for AC systems with Puron refrigerant:

## Vapor Line Sizing and Cooling Capacity Losses — Puron® Refrigerant 2-Stage Air Conditioner Applications

Unit Nominal Size (Btuh)	Maximum Liquid Line Diameters (In. OD)	Vapor Line Diameters (In.) OD	Cooling Capacity Loss (%) Total Equivalent Line Length ft. (m)								
			26-50 (7.9-15.2)	51-80 (15.5-24.4)	81-100 (24.7-30.5)	101-125 (30.8-38.1)	126-150 (38.4-45.7)	151-175 (46.0-50.3)	176-200 (53.6-60.0)	201-225 (61.3-68.6)	226-250 (68.9-76.2)
024 2-Stage Puron AC	3/8	5/8	0	1	1	2	3	3	4	4	5
		3/4	0	0	0	0	1	1	1	1	1
036 2-Stage Puron AC	3/8	5/8	1	2	4	5	6	7	9	10	11
		3/4	0	0	1	1	2	2	3	3	4
		7/8	0	0	0	0	1	1	1	1	2
048 2-Stage Puron AC	3/8	3/4	1	2	2	3	4	5	6	7	7
		7/8	0	1	1	2	2	2	3	3	3
		1-1/8	0	0	—	—	—	—	—	—	—
060 2-Stage Puron AC	3/8	3/4	1	2	4	5	6	7	9	10	11
		7/8	0	1	2	2	3	4	4	5	5
		1-1/8	0	0	0	1	1	1	1	1	1

Applications in this area may be long line and may have height restrictions. See the Residential Piping and Long Line Guideline.

— Applications in this area are not recommended due to insufficient oil return

# PHYSICAL DATA

UNIT SIZE SERIES	24-30	36-30	48-30	60-30
Operating Weight lb (kg)	204 (93)	204 (93)	306 (139)	316 (143)
Shipping Weight lb (kg)	243 (110)	243 (110)	363 (165)	373 (169)
Compressor Type	2-Stage Scroll			
REFRIGERANT	Puron (R-410A)			
Control	TXV (Puron Hard Shutoff)			
Charge lb (kg)	6.63 (3.01)	6.88 (3.12)	11.63 (5.27)	15.13 (6.86)
COND FAN	Propeller Type, Direct Drive			
Air Discharge	Vertical			
Air Qty (CFM)	3100	3400	4300	4450
Motor HP	1/10	1/5	1/4	1/4
Motor RPM	800	800	800	800
COND COIL				
Face Area (Sq ft)	21.56	21.56	25.15	30.18
Fins per In.	25	25	20	20
Rows	1	1	2	2
Circuits	4	4	7	8
VALVE CONNECT. (In. ID)				
Vapor	3/4	7/8	7/8	7/8
Liquid	3/8			
REFRIGERANT TUBES (In. OD)				
Rated Vapor*	3/4	7/8	1-1/8	1-1/8
Liquid	3/8			

\*Units are rated with 25 ft (7.6 m) of lineset length. See Vapor Line Sizing and Cooling Capacity Loss table when using other sizes and lengths of lineset.

# ELECTRICAL DATA

UNIT SIZE - SERIES	V/PH	OPER VOLTS*		COMPR		FAN	MCA	MIN WIRE SIZE†	MIN WIRE SIZE†	MAX LENGTH ft. (m)‡	MAX LENGTH ft. (m)‡	MAX FUSE** or CKT BRK AMPS
		MAX	MIN	RLA	LRA	FLA		60° C	75° C	60° C	75° C	
24-30	208-230	253	197	10.30	52.0	0.7	13.58	14.00	14.00	60 (18.3)	57 (17.4)	20
36-30	208-230			16.70	82.0	1.2	22.08	14.00	14.00	45 (13.7)	44 (13.4)	35
48-30	208-230			21.20	96.0	1.3	27.80	12.00	12.00	51 (15.5)	49 (14.9)	40
60-30	208-230			23.00	118.0	1.3	30.06	8.00	10.00	93 (28.3)	57 (17.4)	50

\* Permissible limits of the voltage range at which the unit will operate satisfactorily

† If wire is applied at ambient greater than 30°C, consult table 310-16 of the NEC (NFPA 70). The ampacity of non-metallic-sheathed cable (NM), trade name ROMEX, shall be that of 60°C conditions, per the NEC (NFPA 70) Article 336-26. If other than uncoated (no-plated), 60 or 75°C insulation, copper wire (solid wire for 10 AWG or smaller, stranded wire for larger than 10 AWG) is used, consult applicable tables of the NEC (NFPA 70).

‡ Length shown is as measured one way along wire path between unit and service panel for voltage drop not to exceed 2%.

\*\* Time-Delay fuse.

FLA - Full Load Amps

LRA - Locked Rotor Amps

MCA - Minimum Circuit Amps

RLA - Rated Load Amps

NOTE: Control circuit is 24-V on all units and requires external power source. Copper wire must be used from service disconnect to unit.

All motors/compressors contain internal overload protection.

Complies with 2010 requirements of ASHRAE Standards 90.1

## A-WEIGHTED SOUND POWER LEVEL

Unit Size - Voltage, Series	Standard Rating (dBA)	TYPICAL OCTAVE BAND SPECTRUM (dBA, without tone adjustment)					
		125	250	500	1000	4000	8000
24 - 30	73 - low stage	48.9	63.4	60.3	62.5	56.5	48.4
	74 - high stage	48.9	58.4	61.3	60.5	58.5	53.4
36 - 30	74 - low stage	49.4	58.9	65.8	63.0	57.0	53.4
	74 - high stage	49.4	59.4	62.3	64.0	56.5	52.4
48 - 30	74 - low stage	52.9	59.4	61.8	63.5	56.5	49.4
	76 - high Stage	51.9	61.9	61.8	65.0	58.5	50.9
60 - 30	74 - low stage	51.4	58.4	63.3	62.5	57.0	50.9
	74 - high stage	52.4	62.4	62.3	65.5	58.0	51.9

NOTE: Tested in accordance with AHRI Standard 270-08. (Not listed with AHRI).

## CHARGING SUBCOOLING (TXV-TYPE EXPANSION DEVICE)

UNIT SIZE - VOLTAGE, SERIES	REQUIRED SUBCOOLING °F (°C)
24-30	10 (5.6)
36-30	10 (5.6)
48-30	10 (5.6)
60-30	10 (5.6)

## THERMOSTATS

PART NUMBER	PROGRAM	GAS	ELECTRIC	HEAT PUMP	HYBRID HEAT	HEAT	COOL
<b>Performance</b>							
TP-PRH01-A	7-Day	√	√	√	√	3	2
TP-PAC01	7-Day	√	√			1	1
TP-NRH01-A	NP	√	√	√	√	3	2
TP-NAC01	NP	√	√			1	1

THERMOSTAT ACCESSORIES		
PART NUMBER	BRIEF DESCRIPTION	THERMOSTATS USED WITH
SYSTXCCRRS01	Indoor Remote Room Temperature Sensor	All TP - thermostats
TP-EXP01-A	Exp[ ] Computer Programming Accessory	TP-P thermostats
TSTATXXCNV10‡	Thermostat Conversion Kit (4 to 5 wire) - 10 pack	All Carrier[ ] branded thermostats
TX-LBP01	Large Decorative Backplate	TP-Pxx, TP-Nxx, TC-Pxx
TSTATXXSEN01-B*	Outdoor Air Temperature Sensor	All TP - thermostats

# ACCESSORIES

ORDER NUMBER	DESCRIPTION	24-30	36-30	48-30	60-30
KAACH1601AAA	CRANKCASE HTR	X	X		
Stanadard	CRANKCASE HTR			X	X
KSATX0201PUR	TXV PURON HSO	X			
KSATX0301PUR	TXV PURON HSO		X		
KSATX0401PUR	TXV PURON HSO			X	
KSATX0501PUR	TXV PURON HSO				X
KSAHS2301	HARD START KIT	X			
KSAHS2401	HARD START KIT		X		
KSAHS2501	HARD START KIT			X	
KSAHS2601	HARD START KIT				X
KSASH2101COP	SOUND BLANKET	X	X	X	X
KSASF0101AAA	SUPPORT FEET	X	X	X	X

x = Accessory

## ACCESSORY USAGE GUIDELINE

ACCESSORY	REQUIRED FOR LONG LINE APPLICATIONS*	REQUIRED FOR SEA COAST APPLICATIONS (Within 2 miles/3.22 km)
Compressor Start Assist Capacitor and Relay	Yes	No
Crankcase Heater	Yes	No
Hard Shut-Off TXV	Yes	Yes
Support Feet	No	Recommended

\* For tubing line sets between 80 and 200 ft. (24.38 and 60.96 m) and/or 35 ft. (10.7 m) vertical differential, refer to Residential Split-System Longline Application Guideline.

### Accessory Description and Usage (Listed Alphabetically)

#### 1. Compressor Start Assist - Capacitor and Relay

Start capacitor and relay gives a "hard" boost to compressor motor at each start up.

Usage Guideline:

Required for reciprocating compressors in the following applications:

- Long line
- Hard shut off expansion valve on indoor coil
- Liquid line solenoid on indoor coil

Required for single-phase scroll compressors in the following applications:

- Long line

Suggested for all compressors in areas with a history of low voltage problems.

#### 2. Crankcase Heater

An electric resistance heater which mounts to the base of the compressor to keep the lubricant warm during off cycles. Improves compressor lubrication on restart and minimizes the chance of liquid slugging.

Usage Guideline:

- Required in low ambient cooling applications.
- Required in long line applications.
- Suggested in all commercial applications.

#### 3. Outdoor Air Temperature Sensor

Designed for use with Carrier Thermostats listed in this publication. This device enables the thermostat to display the outdoor temperature. This device also is required to enable special thermostat features such as auxiliary heat lock out.

Usage Guideline:

- Suggested for all Carrier thermostats listed in this publication.

#### 4. Support Feet

Four stick-on plastic feet that raise the unit 4 in. (101.6 mm) above the mounting pad. This allows sand, dirt, and other debris to be flushed from the unit base, minimizing corrosion.

Usage Guideline:

Suggested in the following applications:

- Coastal installations.
- Windy areas or where debris is normally circulating.
- Rooftop installations.

For improved sound ratings.

#### 5. Thermostatic Expansion Valve (TXV)

A modulating flow-control valve which meters refrigerant liquid flow rate into the evaporator in response to the superheat of the refrigerant gas leaving the evaporator.

Kit includes valve, adapter tubes, and external equalizer tube. Hard shut off types are available.

**NOTE:** When using a hard shut off TXV with single phase reciprocating compressors, a Compressor Start Assist Capacitor and Relay is required.

Usage Guideline:

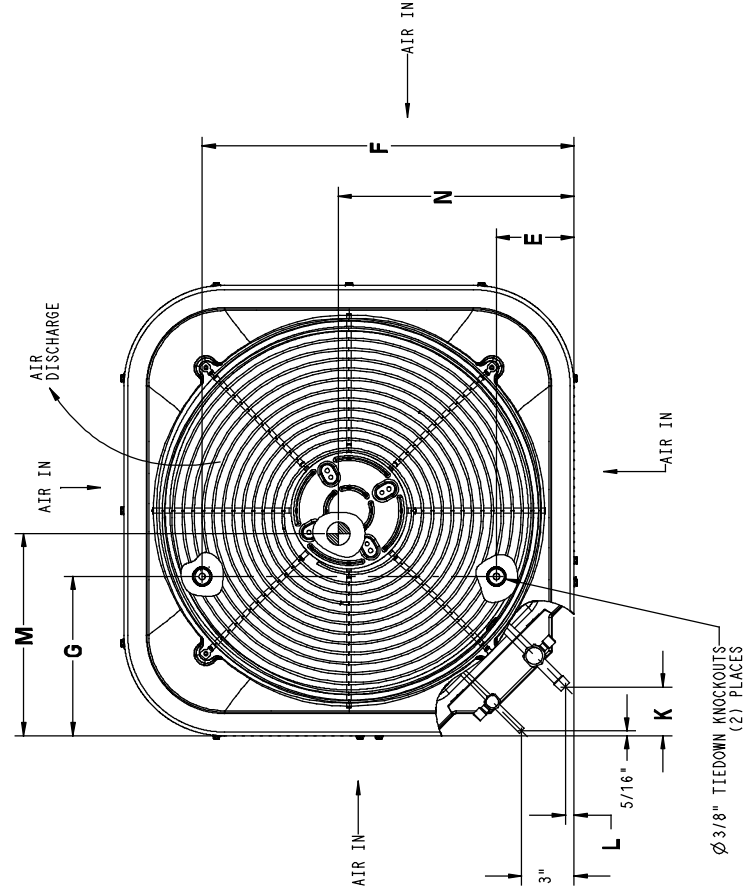
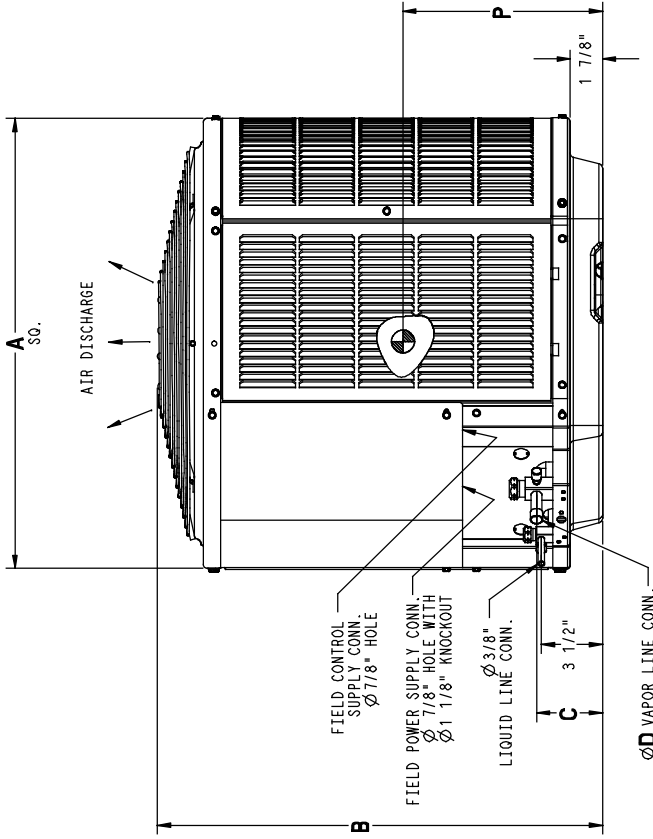
- Required to achieve AHRI ratings in certain equipment combinations. Refer to combination ratings.
- Hard shut off TXV or LLS required in air conditioner long line applications.
- Required for use on all zoning systems.

# DIMENSIONS - ENGLISH

UNIT	SERIES	ELECTRICAL CHARACTERISTICS	A	B	C	D	E	F	G	K	L	M	N	P	OPERATING WEIGHT (lbs)	SHIPPING WEIGHT (lbs)	SHIPPING DIMENSIONS (L x W x H)
24ACB724	0	X 0 0 0	31 3/16"	39 1/8"	3 7/8"	3/4"	6 9/16"	24 11/16"	9 1/8"	2 15/16"	5/8"	14 1/4"	17 1/4"	19 1/4"	204	243	32 3/8" X 35 1/2" X 42 3/4"
24ACB736	0	X 0 0 0	31 3/16"	39 1/8"	3 7/8"	7/8"	6 9/16"	24 11/16"	9 1/8"	2 15/16"	5/8"	14 1/4"	17 1/4"	19 1/4"	204	243	32 3/8" X 35 1/2" X 42 3/4"
24ACB748	0	X 0 0 0	35"	39 1/8"	3 7/8"	7/8"	6 9/16"	28 7/16"	9 1/8"	2 15/16"	5/8"	18"	17 1/2"	19 1/2"	306	363	36 1/8" X 39 5/16" X 42 3/4"
24ACB760	0	X 0 0 0	35"	45 7/8"	3 7/8"	7/8"	6 9/16"	28 7/16"	9 1/8"	2 15/16"	5/8"	17 7/8"	18 5/8"	20 1/4"	316	373	36 1/8" X 39 5/16" X 46 3/16"

X = YES  
0 = NO

208-230-160	230-160	208/230-3-60	460-3-60
-------------	---------	--------------	----------



UNIT SIZE	MINIMUM MOUNTING PAD DIMENSIONS
24, 36	31 1/2" X 31 1/2"
48, 60	35" X 35"

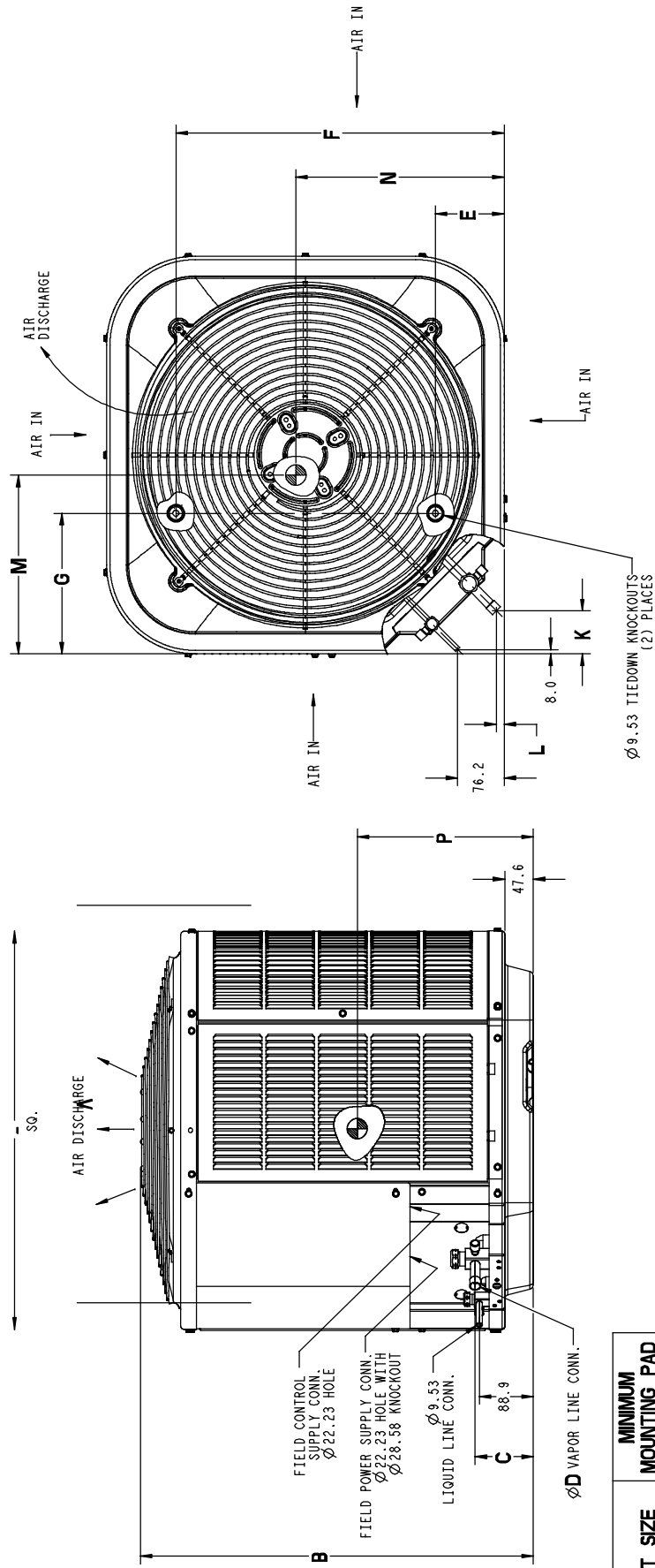
**24ACB7**

**DIMENSIONS - SI**

UNIT	SERIES	ELECTRICAL CHARACTERISTICS	A	B	C	D	E	F	G	K	L	M	N	P	OPERATING WEIGHT (Kgs)	SHIPPING WEIGHT (Kgs)	SHIPPING DIMENSIONS (L x W x H)
24ACB724	0	X 0 0 0	792.2	993.8	98.4	19.1	166.7	627.1	231.8	74.6	15.9	362.0	438.2	489.0	93	110	822.3 X 901.7 X 1085.9
24ACB736	0	X 0 0 0	792.2	993.8	98.4	22.2	166.7	627.1	231.8	74.6	15.9	362.0	438.2	489.0	93	110	822.3 X 901.7 X 1085.9
24ACB748	0	X 0 0 0	889.0	993.8	98.4	22.2	166.7	722.3	231.8	74.6	15.9	457.2	444.5	495.3	139	119	917.6 X 998.5 X 1085.9
24ACB760	0	X 0 0 0	889.0	1165.2	98.4	22.2	166.7	722.3	231.8	74.6	15.9	454.0	473.1	514.4	143	169	917.6 X 998.5 X 1173.2

X = YES  
O = NO

208-230-160	230-160	208/230-3-60	460-3-60
-------------	---------	--------------	----------

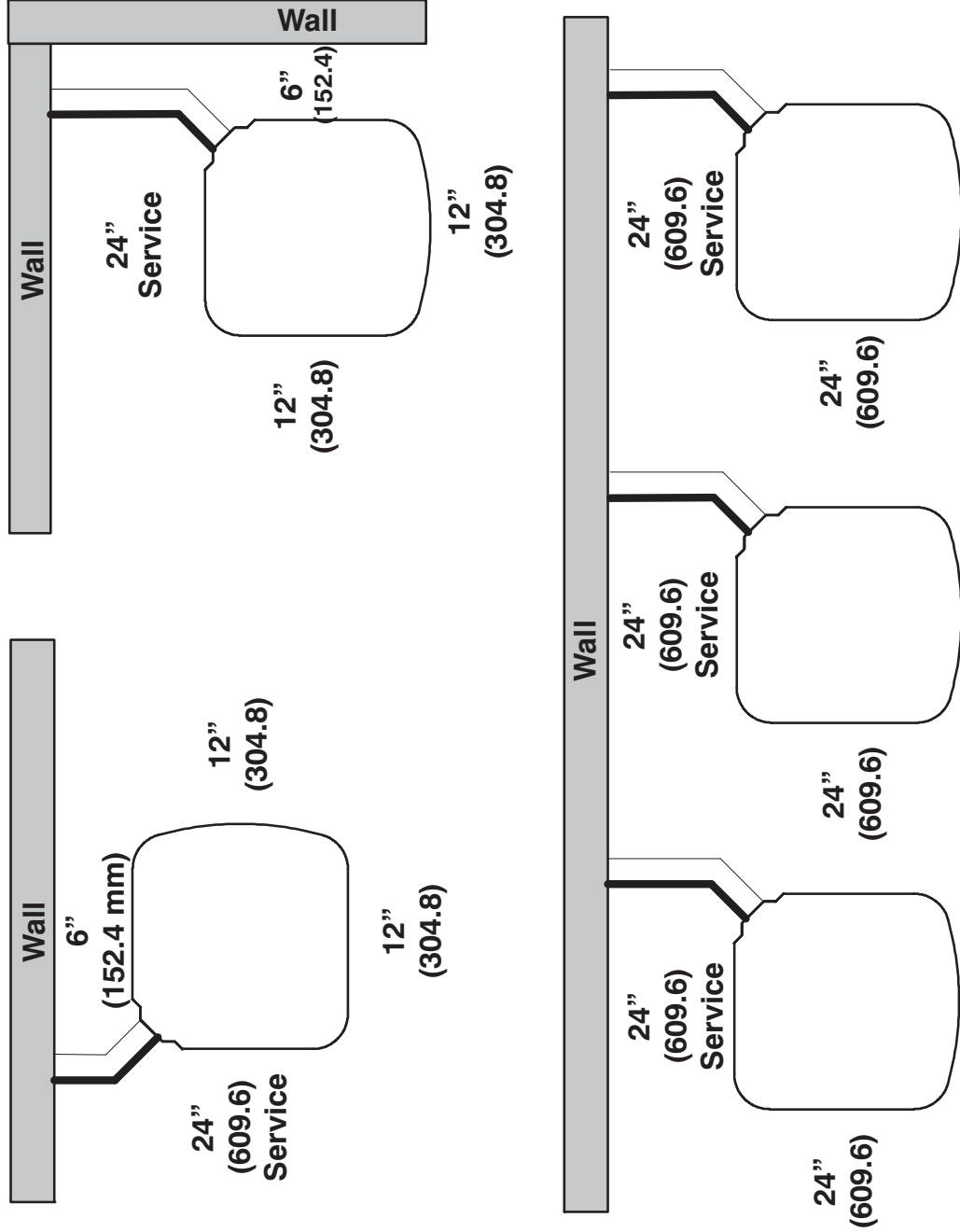


UNIT SIZE	MINIMUM MOUNTING PAD DIMENSIONS
24,36	800.1 X 800.1
48,60	889.0 X 889.0



# CLEARANCES

Clearances (various examples)



**Note:** Numbers in ( ) = mm

**IMPORTANT:** When installing multiple units in an alcove, roof well, or partially enclosed area, ensure there is adequate ventilation to prevent re-circulation of discharge air.

# COMBINATION RATINGS

AHRI Ref. Number	Model Number	Indoor Coil Model Number	Furnace Model Number	AHRI Standard Ratings – Cooling				
				Cooling Capacity	EER	SEER	ID CFM	
							High	Low
3636787	24ACB724A**30	†CNPV*4217A**	58PH*045–08	25,200	13.2	16.0	715	585
4739301	24ACB724A**30	CAP**2414A**	59*P5A040E14**10	24,200	11.7	15.0	775	525
3636917	24ACB724A**30	CAP**2414A**+TDR		24,200	11.8	14.0	700	560
3636415	24ACB724A**30	CAP**2417A**	58CV(A,X)090–16	24,600	13.2	16.0	670	505
3636565	24ACB724A**30	CAP**2417A**	58ME(B,C)040–12	25,000	13.3	16.5	765	655
3636578	24ACB724A**30	CAP**2417A**	58ME(B,C)060–12	25,200	13.3	16.5	780	625
3636670	24ACB724A**30	CAP**2417A**	58MV(B,C)060–14	24,800	13.2	16.0	725	500
3636995	24ACB724A**30	CAP**2417A**	58UVB060–14	24,800	13.2	16.0	725	500
3636855	24ACB724A**30	CAP**2417A**	58VLR105–12	24,800	13.2	16.5	715	585
3636883	24ACB724A**30	CAP**2417A**	58VMR105–12	24,600	13.0	16.0	660	520
4739249	24ACB724A**30	CAP**2417A**	59*N*A060V17**14	24,600	12.8	15.7	675	505
4739250	24ACB724A**30	CAP**2417A**	59*N*A080V17**14	24,000	12.7	15.7	650	490
4739302	24ACB724A**30	CAP**2417A**	59*P5A040E14**10	24,600	12.0	15.3	785	530
4739303	24ACB724A**30	CAP**2417A**	59*P5A060E17**14	24,600	13.0	15.9	685	685
4212832	24ACB724A**30	CAP**2417A**	OVLAAB036098	24,800	12.5	16.0	865	530
4212831	24ACB724A**30	CAP**2417A**	OVMAAB036098	24,400	12.7	16.2	725	550
4212833	24ACB724A**30	CAP**2417A**	OVMAAB042112	24,400	13.0	16.2	690	580
3636918	24ACB724A**30	CAP**2417A**+TDR		24,200	11.8	14.0	700	560
3636394	24ACB724A**30	CAP**3014A**	58CV(A,X)070–12	24,600	13.1	16.0	660	495
3636788	24ACB724A**30	CAP**3014A**	58PH*045–08	25,000	13.0	16.0	720	585
4739304	24ACB724A**30	CAP**3014A**	59*P5A040E14**10	24,400	11.7	15.0	780	530
3636919	24ACB724A**30	CAP**3014A**+TDR		24,400	11.9	14.0	700	560
3636416	24ACB724A**30	CAP**3017A**	58CV(A,X)090–16	24,800	13.3	16.0	670	505
3636566	24ACB724A**30	CAP**3017A**	58ME(B,C)040–12	25,400	13.5	16.5	785	680
3636579	24ACB724A**30	CAP**3017A**	58ME(B,C)060–12	25,400	13.4	16.5	795	650
3636671	24ACB724A**30	CAP**3017A**	58MV(B,C)060–14	25,000	13.3	16.0	725	500
3636996	24ACB724A**30	CAP**3017A**	58UVB060–14	25,000	13.3	16.0	725	500
3636856	24ACB724A**30	CAP**3017A**	58VLR105–12	25,000	13.0	16.5	715	585
3636884	24ACB724A**30	CAP**3017A**	58VMR105–12	24,600	13.0	16.0	660	520
4739251	24ACB724A**30	CAP**3017A**	59*N*A060V17**14	24,600	12.9	15.8	675	505
4739252	24ACB724A**30	CAP**3017A**	59*N*A080V17**14	24,200	12.7	15.7	650	490
4739305	24ACB724A**30	CAP**3017A**	59*P5A040E14**10	25,000	12.1	15.4	795	540
4739306	24ACB724A**30	CAP**3017A**	59*P5A060E17**14	24,800	13.1	15.9	700	700
4212835	24ACB724A**30	CAP**3017A**	OVLAAB036098	25,000	12.7	16.2	865	530
4212834	24ACB724A**30	CAP**3017A**	OVMAAB036098	24,600	12.7	16.2	725	550
4212836	24ACB724A**30	CAP**3017A**	OVMAAB042112	24,400	13.0	16.5	690	580
3636920	24ACB724A**30	CAP**3017A**+TDR		24,400	11.9	14.0	700	560
3636395	24ACB724A**30	CAP**3614A**	58CV(A,X)070–12	24,800	13.1	16.0	660	495
3636789	24ACB724A**30	CAP**3614A**	58PH*045–08	25,000	13.1	16.0	725	590
4739307	24ACB724A**30	CAP**3614A**	59*P5A040E14**10	24,600	11.7	15.2	785	535
3636921	24ACB724A**30	CAP**3614A**+TDR		24,400	11.9	14.0	700	560
3636417	24ACB724A**30	CAP**3617A**	58CV(A,X)090–16	24,800	13.3	16.0	670	505
3636567	24ACB724A**30	CAP**3617A**	58ME(B,C)040–12	25,400	13.5	17.0	790	695
3636580	24ACB724A**30	CAP**3617A**	58ME(B,C)060–12	25,600	13.5	16.5	805	660
3636672	24ACB724A**30	CAP**3617A**	58MV(B,C)060–14	25,200	13.3	16.0	725	500
3636997	24ACB724A**30	CAP**3617A**	58UVB060–14	25,200	13.3	16.0	725	500
4739253	24ACB724A**30	CAP**3617A**	59*N*A060V17**14	24,800	13.0	15.9	675	505
4739254	24ACB724A**30	CAP**3617A**	59*N*A080V17**14	24,200	12.7	15.7	650	490
4739308	24ACB724A**30	CAP**3617A**	59*P5A040E14**10	25,000	12.1	15.5	800	540
4739309	24ACB724A**30	CAP**3617A**	59*P5A060E17**14	25,000	13.1	16.0	705	705
4212838	24ACB724A**30	CAP**3617A**	OVLAAB036098	25,200	12.7	16.2	865	530
4212837	24ACB724A**30	CAP**3617A**	OVMAAB036098	24,600	12.7	16.2	725	550
4212839	24ACB724A**30	CAP**3617A**	OVMAAB042112	24,600	13.2	16.5	690	580
3636922	24ACB724A**30	CAP**3617A**+TDR		24,400	11.9	14.0	700	560
3636518	24ACB724A**30	CAP**3619A**	58HDV040–12	25,200	12.8	16.0	765	595
3636528	24ACB724A**30	CAP**3619A**	58HDV060–12	25,000	13.0	16.0	820	640
4739258	24ACB724A**30	CAP**3619A**	59*N*A060V17**14	24,400	12.7	15.7	675	505
4739259	24ACB724A**30	CAP**3619A**	59*N*A080V17**14	24,200	12.7	15.7	650	490
4739311	24ACB724A**30	CAP**3619A**	59*P5A060E17**14	24,600	12.5	15.7	705	705
4212844	24ACB724A**30	CAP**3619A**	OVLAAB036098	25,200	12.7	16.2	865	530
4212843	24ACB724A**30	CAP**3619A**	OVMAAB036098	24,600	12.7	16.2	725	550
4212845	24ACB724A**30	CAP**3619A**	OVMAAB042112	24,600	13.2	16.5	690	580
3636941	24ACB724A**30	CAP**3619A**+TDR		24,400	11.8	14.0	700	560
3636581	24ACB724A**30	CAP**3621A**	58ME(B,C)060–12	25,600	13.6	17.0	820	695
3636693	24ACB724A**30	CAP**3621A**	58MV(B,C)080–14	24,800	13.3	16.0	660	490
3637008	24ACB724A**30	CAP**3621A**	58UVB080–14	24,800	13.3	16.0	660	490
4739255	24ACB724A**30	CAP**3621A**	59*N*A060V17**14	24,400	12.7	15.7	675	505
4739256	24ACB724A**30	CAP**3621A**	59*N*A080V17**14	24,600	13.1	15.9	650	490
4739257	24ACB724A**30	CAP**3621A**	59*N*A100V21**20	24,600	13.2	16.0	720	720
4739310	24ACB724A**30	CAP**3621A**	59*P5A060E17**14	25,000	13.2	16.1	720	720
4212841	24ACB724A**30	CAP**3621A**	OVLAAB036098	25,200	12.7	16.2	865	530

See notes on page 25

# COMBINATION RATINGS CONTINUED

AHRI Ref. Number	Model Number	Indoor Coil Model Number	Furnace Model Number	AHRI Standard Ratings – Cooling				
				Cooling Capacity	EER	SEER	ID CFM	
							High	Low
4212840	24ACB724A**30	CAP**3621A**	OVMAAB036098	24,600	13.0	16.2	725	550
4212842	24ACB724A**30	CAP**3621A**	OVMAAB042112	24,600	13.2	16.5	690	580
3636923	24ACB724A**30	CAP**3621A**+TDR		24,400	11.9	14.0	700	560
3636398	24ACB724A**30	CNPH*2417A**	58CV(A,X)070–12	24,400	12.9	16.0	660	495
3636570	24ACB724A**30	CNPH*2417A**	58ME(B,C)040–12	24,800	13.2	16.5	725	610
3636587	24ACB724A**30	CNPH*2417A**	58ME(B,C)060–12	25,000	13.2	16.5	735	575
3636675	24ACB724A**30	CNPH*2417A**	58MV(B,C)060–14	24,800	13.0	16.0	725	500
3636782	24ACB724A**30	CNPH*2417A**	58MV(B,C)060–14	24,600	12.9	16.0	675	500
3636792	24ACB724A**30	CNPH*2417A**	58PH*045–08	24,600	12.9	16.0	695	565
4739273	24ACB724A**30	CNPH*2417A**	59*N*A060V17**14	24,600	12.7	15.7	675	505
4739274	24ACB724A**30	CNPH*2417A**	59*N*A080V17**14	24,000	12.8	15.5	650	490
4739275	24ACB724A**30	CNPH*2417A**	59*N*A100V21**20	24,400	12.5	15.5	720	720
4739276	24ACB724A**30	CNPH*2417A**	59*N*A120V24**22	24,400	12.7	15.5	700	700
4739325	24ACB724A**30	CNPH*2417A**	59*P5A040E14**10	24,600	11.9	15.3	765	520
4739326	24ACB724A**30	CNPH*2417A**	59*P5A060E17**14	24,400	12.9	15.8	655	655
4212865	24ACB724A**30	CNPH*2417A**	OVLAAB036098	24,800	12.2	16.0	865	530
4212864	24ACB724A**30	CNPH*2417A**	OVMAAB036098	24,400	12.5	16.0	725	550
4212866	24ACB724A**30	CNPH*2417A**	OVMAAB042112	24,200	12.7	16.2	690	580
3636931	24ACB724A**30	CNPH*2417A**+TDR		24,200	11.8	14.0	700	560
3636399	24ACB724A**30	CNPH*3017A**	58CV(A,X)070–12	24,600	13.1	16.0	660	495
3636423	24ACB724A**30	CNPH*3017A**	58CV(A,X)090–16	24,800	13.3	16.0	670	505
3636513	24ACB724A**30	CNPH*3017A**	58HDV040–12	25,000	12.9	16.0	750	585
3636523	24ACB724A**30	CNPH*3017A**	58HDV060–12	25,200	12.9	16.0	805	630
3636571	24ACB724A**30	CNPH*3017A**	58ME(B,C)040–12	25,400	13.4	16.5	775	675
3636588	24ACB724A**30	CNPH*3017A**	58ME(B,C)060–12	25,400	13.4	16.5	790	645
3636676	24ACB724A**30	CNPH*3017A**	58MV(B,C)060–14	25,000	13.3	16.0	725	500
3636793	24ACB724A**30	CNPH*3017A**	58PH*045–08	25,000	13.1	16.0	730	595
4739277	24ACB724A**30	CNPH*3017A**	59*N*A060V17**14	24,800	12.9	15.8	675	505
4739278	24ACB724A**30	CNPH*3017A**	59*N*A080V17**14	24,200	12.7	15.7	650	490
4739279	24ACB724A**30	CNPH*3017A**	59*N*A100V21**20	24,600	12.7	15.7	720	720
4739280	24ACB724A**30	CNPH*3017A**	59*N*A120V24**22	24,600	12.7	15.7	700	700
4739327	24ACB724A**30	CNPH*3017A**	59*P5A040E14**10	25,000	12.1	15.4	790	540
4739328	24ACB724A**30	CNPH*3017A**	59*P5A060E17**14	24,800	13.1	16.0	695	695
4212868	24ACB724A**30	CNPH*3017A**	OVLAAB036098	25,200	12.7	16.2	865	530
4212867	24ACB724A**30	CNPH*3017A**	OVMAAB036098	24,600	12.7	16.2	725	550
4212869	24ACB724A**30	CNPH*3017A**	OVMAAB042112	24,400	13.0	16.5	690	580
3636932	24ACB724A**30	CNPH*3017A**+TDR		24,400	11.9	14.0	700	560
3636407	24ACB724A**30	CNPH*3117A**	58CV(A,X)070–12	25,000	13.0	16.5	660	495
3636428	24ACB724A**30	CNPH*3117A**	58CV(A,X)090–16	25,000	13.5	16.5	670	505
3636519	24ACB724A**30	CNPH*3117A**	58HDV040–12	25,000	13.0	16.5	760	595
3636529	24ACB724A**30	CNPH*3117A**	58HDV060–12	25,000	13.0	16.5	815	640
3636577	24ACB724A**30	CNPH*3117A**	58ME(B,C)040–12	25,000	13.5	17.0	790	695
3636593	24ACB724A**30	CNPH*3117A**	58ME(B,C)060–12	25,000	13.5	17.0	800	660
3636677	24ACB724A**30	CNPH*3117A**	58MV(B,C)060–14	25,000	13.5	16.5	725	500
3636801	24ACB724A**30	CNPH*3117A**	58PH*045–08	25,000	13.0	16.5	740	600
4739281	24ACB724A**30	CNPH*3117A**	59*N*A060V17**14	25,000	13.0	16.0	675	505
4739282	24ACB724A**30	CNPH*3117A**	59*N*A080V17**14	24,600	13.0	16.0	650	490
4739283	24ACB724A**30	CNPH*3117A**	59*N*A100V21**20	25,000	13.0	16.0	720	720
4739284	24ACB724A**30	CNPH*3117A**	59*N*A120V24**22	25,000	13.2	16.2	700	700
4739329	24ACB724A**30	CNPH*3117A**	59*P5A040E14**10	25,000	12.0	15.5	800	545
4739330	24ACB724A**30	CNPH*3117A**	59*P5A060E17**14	25,000	13.3	16.2	700	700
4212871	24ACB724A**30	CNPH*3117A**	OVLAAB036098	25,600	13.0	16.5	865	530
4212870	24ACB724A**30	CNPH*3117A**	OVMAAB036098	25,000	13.0	16.5	725	550
4212872	24ACB724A**30	CNPH*3117A**	OVMAAB042112	25,000	13.2	16.7	690	580
3636400	24ACB724A**30	CNPH*3617A**	58CV(A,X)070–12	24,600	13.1	16.0	660	495
3636424	24ACB724A**30	CNPH*3617A**	58CV(A,X)090–16	24,800	13.3	16.0	670	505
3636514	24ACB724A**30	CNPH*3617A**	58HDV040–12	25,000	12.9	16.0	750	590
3636524	24ACB724A**30	CNPH*3617A**	58HDV060–12	25,200	12.9	16.0	805	630
3636589	24ACB724A**30	CNPH*3617A**	58ME(B,C)060–12	25,200	13.4	16.5	790	645
3636678	24ACB724A**30	CNPH*3617A**	58MV(B,C)060–14	25,000	13.3	16.0	725	500
3636794	24ACB724A**30	CNPH*3617A**	58PH*045–08	25,000	13.1	16.0	730	595
4739285	24ACB724A**30	CNPH*3617A**	59*N*A060V17**14	24,800	12.9	15.8	675	505
4739286	24ACB724A**30	CNPH*3617A**	59*N*A080V17**14	24,200	12.7	15.7	650	490
4739287	24ACB724A**30	CNPH*3617A**	59*N*A100V21**20	24,600	12.7	15.7	720	720
4739288	24ACB724A**30	CNPH*3617A**	59*N*A120V24**22	24,600	13.0	15.7	700	700
4739331	24ACB724A**30	CNPH*3617A**	59*P5A040E14**10	24,600	11.7	15.2	790	540
4739332	24ACB724A**30	CNPH*3617A**	59*P5A060E17**14	24,800	13.1	16.0	695	695
4212874	24ACB724A**30	CNPH*3617A**	OVLAAB036098	25,200	12.7	16.2	865	530
4212873	24ACB724A**30	CNPH*3617A**	OVMAAB036098	24,600	12.7	16.2	725	550
4212875	24ACB724A**30	CNPH*3617A**	OVMAAB042112	24,400	13.0	16.5	690	580
3636935	24ACB724A**30	CNPH*3617A**+TDR		24,400	11.9	14.0	700	560

See notes on page 25

24ACB7

# COMBINATION RATINGS CONTINUED

AHRI Ref. Number	Model Number	Indoor Coil Model Number	Furnace Model Number	AHRI Standard Ratings – Cooling				
				Cooling Capacity	EER	SEER	ID CFM	
							High	Low
3636396	24ACB724A**30	CNPV*2414A**	58CV(A,X)070–12	24,400	12.9	16.0	660	495
3636790	24ACB724A**30	CNPV*2414A**	58PH*045–08	24,600	12.9	16.0	695	565
4739312	24ACB724A**30	CNPV*2414A**	59*P5A040E14**10	24,200	11.7	15.0	765	520
3636924	24ACB724A**30	CNPV*2414A**+TDR		24,200	11.8	14.0	700	560
3636418	24ACB724A**30	CNPV*2417A**	58CV(A,X)090–16	24,600	13.1	16.0	670	505
3636568	24ACB724A**30	CNPV*2417A**	58ME(B,C)040–12	24,800	13.2	16.5	725	610
3636582	24ACB724A**30	CNPV*2417A**	58ME(B,C)060–12	25,000	13.1	16.5	735	575
3636682	24ACB724A**30	CNPV*2417A**	58MV(B,C)060–14	24,800	13.0	16.0	725	500
3637000	24ACB724A**30	CNPV*2417A**	58LVB060–14	24,800	13.0	16.0	725	500
3636857	24ACB724A**30	CNPV*2417A**	58VLR105–12	24,800	13.0	16.5	715	585
3636885	24ACB724A**30	CNPV*2417A**	58VMR105–12	24,400	12.8	16.0	660	520
4739260	24ACB724A**30	CNPV*2417A**	59*N*A060V17**14	24,600	12.7	15.7	675	505
4739261	24ACB724A**30	CNPV*2417A**	59*N*A080V17**14	24,000	12.5	15.7	650	490
4739313	24ACB724A**30	CNPV*2417A**	59*P5A040E14**10	24,600	11.9	15.3	765	520
4739314	24ACB724A**30	CNPV*2417A**	59*P5A060E17**14	24,400	12.9	15.8	655	655
4212847	24ACB724A**30	CNPV*2417A**	OVLAAB036098	24,800	12.2	16.0	865	530
4212846	24ACB724A**30	CNPV*2417A**	OVMAAB036098	24,400	12.5	16.0	725	550
4212848	24ACB724A**30	CNPV*2417A**	OVMAAB042112	24,200	12.7	16.2	690	580
3636925	24ACB724A**30	CNPV*2417A**+TDR		24,200	11.8	14.0	700	560
3636397	24ACB724A**30	CNPV*3014A**	58CV(A,X)070–12	24,600	13.0	16.0	660	495
3636791	24ACB724A**30	CNPV*3014A**	58PH*045–08	24,800	13.0	16.0	705	580
4739315	24ACB724A**30	CNPV*3014A**	59*P5A040E14**10	24,400	11.7	15.0	770	530
3636926	24ACB724A**30	CNPV*3014A**+TDR		24,400	11.9	14.0	700	560
3636419	24ACB724A**30	CNPV*3017A**	58CV(A,X)090–16	24,800	13.3	16.0	670	505
3636583	24ACB724A**30	CNPV*3017A**	58ME(B,C)060–12	25,400	13.4	16.5	790	645
3636683	24ACB724A**30	CNPV*3017A**	58MV(B,C)060–14	25,000	13.3	16.0	725	500
3637001	24ACB724A**30	CNPV*3017A**	58LVB060–14	25,000	13.3	16.0	725	500
3636858	24ACB724A**30	CNPV*3017A**	58VLR105–12	25,000	13.0	16.5	715	585
3636886	24ACB724A**30	CNPV*3017A**	58VMR105–12	24,600	13.0	16.0	660	520
4739262	24ACB724A**30	CNPV*3017A**	59*N*A060V17**14	24,800	12.9	15.8	675	505
4739263	24ACB724A**30	CNPV*3017A**	59*N*A080V17**14	24,200	12.7	15.7	650	490
4739316	24ACB724A**30	CNPV*3017A**	59*P5A040E14**10	24,600	11.7	15.2	790	540
4739317	24ACB724A**30	CNPV*3017A**	59*P5A060E17**14	24,800	13.1	16.0	695	695
4212850	24ACB724A**30	CNPV*3017A**	OVLAAB036098	25,200	12.7	16.2	865	530
4212849	24ACB724A**30	CNPV*3017A**	OVMAAB036098	24,600	12.7	16.2	725	550
4212851	24ACB724A**30	CNPV*3017A**	OVMAAB042112	24,400	13.0	16.5	690	580
3636927	24ACB724A**30	CNPV*3017A**+TDR		24,400	11.9	14.0	700	560
3636404	24ACB724A**30	CNPV*3117A**	58CV(A,X)070–12	25,000	13.0	16.5	660	495
3636420	24ACB724A**30	CNPV*3117A**	58CV(A,X)090–16	25,200	13.5	16.5	670	505
3636575	24ACB724A**30	CNPV*3117A**	58ME(B,C)040–12	25,000	13.5	17.0	755	650
3636584	24ACB724A**30	CNPV*3117A**	58ME(B,C)060–12	25,600	13.7	17.0	800	655
3636684	24ACB724A**30	CNPV*3117A**	58MV(B,C)060–14	25,600	13.5	16.5	725	500
3636798	24ACB724A**30	CNPV*3117A**	58PH*045–08	25,000	13.0	16.5	735	600
3637002	24ACB724A**30	CNPV*3117A**	58LVB060–14	25,600	13.5	16.5	725	500
3636859	24ACB724A**30	CNPV*3117A**	58VLR105–12	25,600	13.5	17.0	715	585
3636887	24ACB724A**30	CNPV*3117A**	58VMR105–12	25,200	13.0	16.5	660	520
4739264	24ACB724A**30	CNPV*3117A**	59*N*A060V17**14	25,200	13.1	16.1	675	505
4739265	24ACB724A**30	CNPV*3117A**	59*N*A080V17**14	24,600	13.0	16.0	650	490
4739318	24ACB724A**30	CNPV*3117A**	59*P5A040E14**10	25,000	12.0	15.5	795	540
4739319	24ACB724A**30	CNPV*3117A**	59*P5A060E17**14	25,400	13.3	16.3	700	700
4212853	24ACB724A**30	CNPV*3117A**	OVLAAB036098	25,600	13.0	16.5	865	530
4212852	24ACB724A**30	CNPV*3117A**	OVMAAB036098	25,000	13.0	16.5	725	550
4212854	24ACB724A**30	CNPV*3117A**	OVMAAB042112	25,000	13.2	16.7	690	580
3636928	24ACB724A**30	CNPV*3117A**		24,800	12.1	14.5	700	560
3636405	24ACB724A**30	CNPV*3617A**	58CV(A,X)070–12	24,000	13.0	16.0	660	495
3636421	24ACB724A**30	CNPV*3617A**	58CV(A,X)090–16	24,800	13.3	16.0	670	505
3636685	24ACB724A**30	CNPV*3617A**	58MV(B,C)060–14	25,000	13.3	16.0	725	500
3636799	24ACB724A**30	CNPV*3617A**	58PH*045–08	24,000	13.0	16.0	730	595
3637003	24ACB724A**30	CNPV*3617A**	58LVB060–14	25,000	13.3	16.0	725	500
3636860	24ACB724A**30	CNPV*3617A**	58VLR105–12	25,000	13.0	16.5	715	585
3636888	24ACB724A**30	CNPV*3617A**	58VMR105–12	24,600	13.0	16.0	660	520
4739266	24ACB724A**30	CNPV*3617A**	59*N*A060V17**14	24,800	12.9	15.8	675	505
4739267	24ACB724A**30	CNPV*3617A**	59*N*A080V17**14	24,200	12.7	15.7	650	490
4739320	24ACB724A**30	CNPV*3617A**	59*P5A040E14**10	24,600	11.7	15.2	790	540
4739321	24ACB724A**30	CNPV*3617A**	59*P5A060E17**14	24,400	12.5	15.7	695	695
4212856	24ACB724A**30	CNPV*3617A**	OVLAAB036098	25,200	12.7	16.2	865	530
4212855	24ACB724A**30	CNPV*3617A**	OVMAAB036098	24,600	12.7	16.2	725	550
4212857	24ACB724A**30	CNPV*3617A**	OVMAAB042112	24,400	13.0	16.5	690	580
3636929	24ACB724A**30	CNPV*3617A**+TDR		24,400	11.9	14.0	700	560
3636569	24ACB724A**30	CNPV*3621A**	58ME(B,C)040–12	25,400	13.5	16.5	780	680
3636585	24ACB724A**30	CNPV*3621A**	58ME(B,C)060–12	25,400	13.4	16.5	790	650

See notes on page 25

# COMBINATION RATINGS CONTINUED

AHRI Ref. Number	Model Number	Indoor Coil Model Number	Furnace Model Number	AHRI Standard Ratings – Cooling				
				Cooling Capacity	EER	SEER	ID CFM	
							High	Low
3636697	24ACB724A**30	CNPV*3621A**	58MV(B,C)080–14	24,000	13.0	16.0	660	490
3637010	24ACB724A**30	CNPV*3621A**	58UVB080–14	24,000	13.0	16.0	660	490
4739268	24ACB724A**30	CNPV*3621A**	59*N*A060V17**14	24,400	12.7	15.7	675	505
4739269	24ACB724A**30	CNPV*3621A**	59*N*A080V17**14	24,000	13.0	15.9	650	490
4739270	24ACB724A**30	CNPV*3621A**	59*N*A100V21**20	24,600	13.0	15.7	720	720
4739322	24ACB724A**30	CNPV*3621A**	59*P5A060E17**14	24,800	13.1	16.0	695	695
4212859	24ACB724A**30	CNPV*3621A**	OVLAAB036098	25,200	12.7	16.2	865	530
4212858	24ACB724A**30	CNPV*3621A**	OVMAAB036098	24,600	12.7	16.2	725	550
4212860	24ACB724A**30	CNPV*3621A**	OVMAAB042112	24,400	13.0	16.5	690	580
3636406	24ACB724A**30	CNPV*3717A**	58CV(A,X)070–12	25,000	13.0	16.5	660	495
3636422	24ACB724A**30	CNPV*3717A**	58CV(A,X)090–16	25,400	13.6	16.5	670	505
3636576	24ACB724A**30	CNPV*3717A**	58ME(B,C)040–12	26,000	13.5	17.0	770	660
3636586	24ACB724A**30	CNPV*3717A**	58ME(B,C)060–12	26,200	13.9	17.0	810	680
3636687	24ACB724A**30	CNPV*3717A**	58MV(B,C)060–14	25,800	13.7	16.5	725	500
3636800	24ACB724A**30	CNPV*3717A**	58PH*045–08	24,000	13.5	16.5	745	610
3637005	24ACB724A**30	CNPV*3717A**	58UVB060–14	25,800	13.7	16.5	725	500
3636861	24ACB724A**30	CNPV*3717A**	58VLR105–12	25,800	13.5	17.0	715	585
3636889	24ACB724A**30	CNPV*3717A**	58VMR105–12	25,400	13.5	16.5	660	520
4739271	24ACB724A**30	CNPV*3717A**	59*N*A060V17**14	25,400	13.3	16.2	675	505
4739272	24ACB724A**30	CNPV*3717A**	59*N*A080V17**14	24,800	13.2	16.0	650	490
4739323	24ACB724A**30	CNPV*3717A**	59*P5A040E14**10	25,800	12.2	15.7	805	545
4739324	24ACB724A**30	CNPV*3717A**	59*P5A060E17**14	25,600	13.4	16.3	710	710
4212862	24ACB724A**30	CNPV*3717A**	OVLAAB036098	26,000	13.2	16.7	865	530
4212861	24ACB724A**30	CNPV*3717A**	OVMAAB036098	25,400	13.2	16.7	725	550
4212863	24ACB724A**30	CNPV*3717A**	OVMAAB042112	25,200	13.5	17.0	690	580
3636930	24ACB724A**30	CNPV*3717A**+TDR		25,200	12.2	14.5	700	560
3636401	24ACB724A**30	CSPH*2412A**	58CV(A,X)070–12	24,800	13.0	16.0	660	495
3636425	24ACB724A**30	CSPH*2412A**	58CV(A,X)090–16	24,800	13.2	16.0	670	505
3636515	24ACB724A**30	CSPH*2412A**	58HDV040--12	24,800	12.7	16.0	705	540
3636525	24ACB724A**30	CSPH*2412A**	58HDV060--12	25,000	12.8	16.0	735	565
3636572	24ACB724A**30	CSPH*2412A**	58ME(B,C)040–12	25,000	13.3	16.5	710	585
3636590	24ACB724A**30	CSPH*2412A**	58ME(B,C)060–12	25,200	13.2	16.5	725	545
3636690	24ACB724A**30	CSPH*2412A**	58MV(B,C)060–14	25,200	13.1	16.0	725	500
3636783	24ACB724A**30	CSPH*2412A**	58MVB040–14	24,800	13.0	16.0	675	500
3636795	24ACB724A**30	CSPH*2412A**	58PH*045–08	24,800	13.0	16.0	685	555
3636890	24ACB724A**30	CSPH*2412A**	58VMR105–12	24,800	13.0	16.0	660	520
4739289	24ACB724A**30	CSPH*2412A**	59*N*A060V17**14	24,800	12.8	15.8	675	505
4739290	24ACB724A**30	CSPH*2412A**	59*N*A080V17**14	24,200	12.7	15.7	650	490
4739291	24ACB724A**30	CSPH*2412A**	59*N*A100V21**20	24,600	12.7	15.5	720	720
4739292	24ACB724A**30	CSPH*2412A**	59*N*A120V24**22	24,600	12.7	15.7	700	700
4739333	24ACB724A**30	CSPH*2412A**	59*P5A040E14**10	24,800	12.0	15.3	755	505
4739334	24ACB724A**30	CSPH*2412A**	59*P5A060E17**14	24,600	12.9	15.8	640	640
4212877	24ACB724A**30	CSPH*2412A**	OVLAAB036098	25,000	12.2	16.0	865	530
4212876	24ACB724A**30	CSPH*2412A**	OVMAAB036098	24,600	12.7	16.2	725	550
4212878	24ACB724A**30	CSPH*2412A**	OVMAAB042112	24,600	12.7	16.2	690	580
3636936	24ACB724A**30	CSPH*2412A**+TDR		24,600	12.0	14.5	700	560
3636402	24ACB724A**30	CSPH*3012A**	58CV(A,X)070–12	24,800	13.1	16.0	660	495
3636426	24ACB724A**30	CSPH*3012A**	58CV(A,X)090–16	24,800	13.3	16.0	670	505
3636516	24ACB724A**30	CSPH*3012A**	58HDV040--12	25,000	12.8	16.0	735	570
3636526	24ACB724A**30	CSPH*3012A**	58HDV060--12	25,200	12.9	16.0	780	605
3636573	24ACB724A**30	CSPH*3012A**	58ME(B,C)040–12	25,400	13.4	16.5	750	640
3636591	24ACB724A**30	CSPH*3012A**	58ME(B,C)060–12	25,400	13.4	16.5	765	605
3636691	24ACB724A**30	CSPH*3012A**	58MV(B,C)060–14	25,200	13.2	16.0	725	500
3636784	24ACB724A**30	CSPH*3012A**	58MVB040–14	24,800	13.1	16.0	675	500
3636796	24ACB724A**30	CSPH*3012A**	58PH*045–08	25,000	13.1	16.0	715	580
3636891	24ACB724A**30	CSPH*3012A**	58VMR105–12	24,800	13.0	16.0	660	520
4739293	24ACB724A**30	CSPH*3012A**	59*N*A060V17**14	24,800	13.0	15.9	675	505
4739294	24ACB724A**30	CSPH*3012A**	59*N*A080V17**14	24,400	12.7	16.0	650	490
4739295	24ACB724A**30	CSPH*3012A**	59*N*A100V21**20	24,800	12.7	15.7	720	720
4739296	24ACB724A**30	CSPH*3012A**	59*N*A120V24**22	24,600	12.7	16.0	700	700
4739335	24ACB724A**30	CSPH*3012A**	59*P5A040E14**10	25,000	12.1	15.5	780	530
4739336	24ACB724A**30	CSPH*3012A**	59*P5A060E17**14	25,000	13.1	16.0	675	675
4212880	24ACB724A**30	CSPH*3012A**	OVLAAB036098	25,200	12.7	16.2	865	530
4212879	24ACB724A**30	CSPH*3012A**	OVMAAB036098	24,800	12.7	16.5	725	550
4212881	24ACB724A**30	CSPH*3012A**	OVMAAB042112	24,600	13.0	16.5	690	580
3636937	24ACB724A**30	CSPH*3012A**+TDR		24,600	11.9	14.0	700	560
3636403	24ACB724A**30	CSPH*3612A**	58CV(A,X)070–12	25,000	13.3	16.0	660	495
3636427	24ACB724A**30	CSPH*3612A**	58CV(A,X)090–16	25,200	13.5	16.5	670	505
3636517	24ACB724A**30	CSPH*3612A**	58HDV040--12	25,600	13.1	16.5	755	585
3636527	24ACB724A**30	CSPH*3612A**	58HDV060--12	25,800	13.2	16.5	815	630
3636574	24ACB724A**30	CSPH*3612A**	58ME(B,C)040–12	25,800	13.7	17.0	780	675

See notes on page 25

# COMBINATION RATINGS CONTINUED

AHRI Ref. Number	Model Number	Indoor Coil Model Number	Furnace Model Number	AHRI Standard Ratings – Cooling				
				Cooling Capacity	EER	SEER	ID CFM	
							High	Low
3636592	24ACB724A**30	CSPH*3612A**	58ME(B,C)060–12	26,000	13.7	17.0	795	640
3636692	24ACB724A**30	CSPH*3612A**	58MV(B,C)060–14	25,600	13.5	16.5	725	500
3636785	24ACB724A**30	CSPH*3612A**	58MV(B,C)040–14	25,200	13.3	16.5	675	500
3636797	24ACB724A**30	CSPH*3612A**	58PH*045–08	25,400	13.3	16.5	735	590
3636892	24ACB724A**30	CSPH*3612A**	58VMR105–12	25,200	13.0	16.5	660	520
4739297	24ACB724A**30	CSPH*3612A**	59*N*A060V17**14	25,200	13.1	16.0	675	505
4739298	24ACB724A**30	CSPH*3612A**	59*N*A080V17**14	24,600	13.0	16.0	650	490
4739299	24ACB724A**30	CSPH*3612A**	59*N*A100V21**20	25,000	13.0	16.0	720	720
4739300	24ACB724A**30	CSPH*3612A**	59*N*A120V24**22	25,000	13.0	16.2	700	700
4739337	24ACB724A**30	CSPH*3612A**	59*P5A040E14**10	25,400	12.3	15.6	795	535
4739338	24ACB724A**30	CSPH*3612A**	59*P5A060E17**14	25,400	13.3	16.2	695	695
4212883	24ACB724A**30	CSPH*3612A**	OVLAAB036098	25,600	13.0	16.2	865	530
4212882	24ACB724A**30	CSPH*3612A**	OVMAAB036098	25,000	13.0	16.5	725	550
4212884	24ACB724A**30	CSPH*3612A**	OVMAAB042112	25,000	13.2	16.7	690	580
3636938	24ACB724A**30	CSPH*3612A**+TDR		24,800	12.1	14.5	700	560
3636940	24ACB724A**30	FV4CN(B,F)003		25,000	13.5	16.5	700	560
3636939	24ACB724A**30	FV4CNF002		25,000	13.3	16.5	700	560
3636802	24ACB736A**30	†CNPV*4821A**	58PH*090–16	37,200	13.2	16.5	1,090	960
3636408	24ACB736A**30	CAP**3614A**	58CV(A,X)070–12	35,600	12.4	16.0	1,005	840
3636942	24ACB736A**30	CAP**3614A**		35,400	11.8	14.5	1,050	840
3636429	24ACB736A**30	CAP**3617A**	58CV(A,X)090–16	35,800	12.8	16.5	1,005	835
3636597	24ACB736A**30	CAP**3617A**	58ME(B,C)060–12	36,000	12.7	16.5	1,080	955
3636609	24ACB736A**30	CAP**3617A**	58ME(B,C)080–12	36,000	12.7	16.5	1,055	925
3636620	24ACB736A**30	CAP**3617A**	58ME(B,C)080–16	36,000	12.7	16.0	1,080	985
3636673	24ACB736A**30	CAP**3617A**	58MV(B,C)060–14	36,000	12.7	16.5	1,055	870
3636998	24ACB736A**30	CAP**3617A**	58UVB060–14	36,000	12.7	16.5	1,055	870
4739339	24ACB736A**30	CAP**3617A**	59*N*A060V17**14	34,800	12.3	15.7	950	850
4739340	24ACB736A**30	CAP**3617A**	59*N*A080V17**14	35,000	12.2	15.7	970	870
4739425	24ACB736A**30	CAP**3617A**	59*P5A060E17**14	35,400	12.1	15.9	1,045	720
4739406	24ACB736A**30	CAP**3617A**	59*P5A080E17**16	35,400	12.4	15.6	1,035	965
4212885	24ACB736A**30	CAP**3617A**	OVMAAB042112	35,400	12.2	16.2	1,035	825
3636943	24ACB736A**30	CAP**3617A**+TDR		35,400	11.8	14.5	1,050	840
3636520	24ACB736A**30	CAP**3619A**	58HDV040–12	35,600	12.0	15.0	1,055	815
3636533	24ACB736A**30	CAP**3619A**	58HDV060–12	35,800	12.5	16.0	1,100	780
3636540	24ACB736A**30	CAP**3619A**	58HDV080–12	36,000	12.7	17.0	1,180	920
4739356	24ACB736A**30	CAP**3619A**	59*N*A060V17**14	34,800	12.0	15.5	950	850
4739357	24ACB736A**30	CAP**3619A**	59*N*A080V17**14	35,000	12.2	15.8	970	870
4739430	24ACB736A**30	CAP**3619A**	59*P5A060E17**14	35,400	12.0	15.7	1,045	720
4739411	24ACB736A**30	CAP**3619A**	59*P5A080E17**16	35,400	12.2	15.2	1,035	965
4212898	24ACB736A**30	CAP**3619A**	OVLAAB048112	35,600	12.2	16.0	1,085	880
4212897	24ACB736A**30	CAP**3619A**	OVMAAB042112	35,400	12.2	16.2	1,035	825
3636967	24ACB736A**30	CAP**3619A**+TDR		35,400	12.0	15.0	1,050	840
3636445	24ACB736A**30	CAP**3621A**	58CV(A,X)110–20	36,000	12.8	16.5	1,020	850
3636704	24ACB736A**30	CAP**3621A**	58MV(B,C)080–20	35,800	12.7	16.5	1,010	840
3636734	24ACB736A**30	CAP**3621A**	58MV(B,C)100–20	36,000	12.8	16.5	1,040	800
3636803	24ACB736A**30	CAP**3621A**	58PH*090–16	36,200	12.9	16.5	1,085	955
3637015	24ACB736A**30	CAP**3621A**	58UVB080–20	35,800	12.7	16.5	1,010	840
3637031	24ACB736A**30	CAP**3621A**	58UVB100–20	36,000	12.8	16.5	1,040	800
3636862	24ACB736A**30	CAP**3621A**	58VLR105–12	36,000	12.5	16.0	1,065	880
3636868	24ACB736A**30	CAP**3621A**	58VLR120–20	36,400	12.5	16.5	1,170	1,005
3636893	24ACB736A**30	CAP**3621A**	58VMR105–12	35,600	12.5	16.5	975	800
3636899	24ACB736A**30	CAP**3621A**	58VMR120–20	36,400	12.5	16.0	1,155	1,000
4739341	24ACB736A**30	CAP**3621A**	59*N*A060V17**14	35,000	12.2	15.7	950	850
4739342	24ACB736A**30	CAP**3621A**	59*N*A080V17**14	35,200	12.5	16.0	970	870
4739343	24ACB736A**30	CAP**3621A**	59*N*A100V21**20	35,200	12.6	16.1	990	720
4739426	24ACB736A**30	CAP**3621A**	59*P5A060E17**14	35,400	12.0	16.0	1,065	735
4739407	24ACB736A**30	CAP**3621A**	59*P5A080E17**16	35,400	12.2	15.5	1,050	985
4212887	24ACB736A**30	CAP**3621A**	OVLAAB048112	35,600	12.2	16.2	1,085	880
4212886	24ACB736A**30	CAP**3621A**	OVMAAB042112	35,400	12.2	16.2	1,035	825
3636944	24ACB736A**30	CAP**3621A**+TDR		35,400	11.8	14.5	1,050	840
3636446	24ACB736A**30	CAP**4221A**	58CV(A,X)110–20	36,200	12.9	16.5	1,020	850
3636705	24ACB736A**30	CAP**4221A**	58MV(B,C)080–20	36,000	12.8	16.5	1,010	840
3636735	24ACB736A**30	CAP**4221A**	58MV(B,C)100–20	36,200	12.8	16.5	1,040	800
3636804	24ACB736A**30	CAP**4221A**	58PH*090–16	36,400	13.0	16.5	1,085	950
3637016	24ACB736A**30	CAP**4221A**	58UVB080–20	36,000	12.8	16.5	1,010	840
3637032	24ACB736A**30	CAP**4221A**	58UVB100–20	36,200	12.8	16.5	1,040	800
3636863	24ACB736A**30	CAP**4221A**	58VLR105–12	36,200	12.5	16.5	1,065	880
3636869	24ACB736A**30	CAP**4221A**	58VLR120–20	36,800	12.8	16.5	1,170	1,005
3636894	24ACB736A**30	CAP**4221A**	58VMR105–12	35,800	12.6	16.5	975	800
3636900	24ACB736A**30	CAP**4221A**	58VMR120–20	36,600	12.7	16.5	1,155	1,000

See notes on page 25

# COMBINATION RATINGS CONTINUED

AHRI Ref. Number	Model Number	Indoor Coil Model Number	Furnace Model Number	AHRI Standard Ratings – Cooling				
				Cooling Capacity	EER	SEER	ID CFM	
							High	Low
4739344	24ACB736A**30	CAP**4221A**	59*N*A060V17**14	35,200	12.2	15.7	950	850
4739345	24ACB736A**30	CAP**4221A**	59*N*A080V17**14	35,400	12.5	16.0	970	870
4739346	24ACB736A**30	CAP**4221A**	59*N*A100V21**20	35,600	12.7	16.2	990	900
4739427	24ACB736A**30	CAP**4221A**	59*P5A060E17**14	35,600	12.2	16.0	1,060	735
4739408	24ACB736A**30	CAP**4221A**	59*P5A080E17**16	35,800	12.2	15.5	1,050	980
4212889	24ACB736A**30	CAP**4221A**	OVLAAB048112	35,800	12.2	16.2	1,085	880
4212888	24ACB736A**30	CAP**4221A**	OVMAAB042112	35,800	12.5	16.5	1,035	825
3636945	24ACB736A**30	CAP**4221A**+TDR		35,600	11.9	14.5	1,050	840
3636473	24ACB736A**30	CAP**4224A**	58CV(A,X)135–22	36,200	13.0	16.5	1,010	845
3636494	24ACB736A**30	CAP**4224A**	58CV(A,X)155–22	36,200	13.2	17.0	1,015	845
3636548	24ACB736A**30	CAP**4224A**	58HDV100–20	36,600	12.8	16.5	1,140	900
3636761	24ACB736A**30	CAP**4224A**	58MV(B,C)120–20	36,200	13.0	16.5	1,010	845
3637046	24ACB736A**30	CAP**4224A**	58UVB120–20	36,200	13.0	16.5	1,010	845
4739347	24ACB736A**30	CAP**4224A**	59*N*A100V21**20	35,600	12.5	16.0	990	900
4739348	24ACB736A**30	CAP**4224A**	59*N*A120V24**22	35,600	12.8	16.4	980	875
4212890	24ACB736A**30	CAP**4224A**	OVLAAB048112	36,000	12.5	16.2	1,085	880
4212891	24ACB736A**30	CAP**4224A**	OVLAAB060154	36,600	12.7	16.7	1,250	1,020
3636946	24ACB736A**30	CAP**4224A**+TDR		35,600	11.9	14.5	1,050	840
3636430	24ACB736A**30	CAP**4817A**	58CV(A,X)090–16	37,000	13.1	17.0	1,005	835
3636598	24ACB736A**30	CAP**4817A**	58ME(B,C)060–12	37,400	13.0	17.0	1,085	960
3636610	24ACB736A**30	CAP**4817A**	58ME(B,C)080–12	37,200	13.1	17.0	1,060	925
3636621	24ACB736A**30	CAP**4817A**	58ME(B,C)080–16	37,400	13.0	16.5	1,085	990
3636674	24ACB736A**30	CAP**4817A**	58MV(B,C)060–14	37,200	13.0	17.0	1,055	870
3636999	24ACB736A**30	CAP**4817A**	58UVB060–14	37,200	13.0	17.0	1,055	870
4739349	24ACB736A**30	CAP**4817A**	59*N*A060V17**14	36,000	12.6	16.2	950	850
4739350	24ACB736A**30	CAP**4817A**	59*N*A080V17**14	36,200	12.5	16.2	970	870
4739428	24ACB736A**30	CAP**4817A**	59*P5A060E17**14	36,600	12.6	16.4	1,050	725
4739409	24ACB736A**30	CAP**4817A**	59*P5A080E17**16	36,600	12.7	16.0	1,040	970
4212892	24ACB736A**30	CAP**4817A**	OVMAAB042112	36,600	12.7	16.7	1,035	825
3636947	24ACB736A**30	CAP**4817A**+TDR		36,600	12.1	15.0	1,050	840
3636447	24ACB736A**30	CAP**4821A**	58CV(A,X)110–20	36,800	13.0	17.0	1,020	850
3636694	24ACB736A**30	CAP**4821A**	58MV(B,C)080–14	36,600	12.8	16.5	1,030	820
3636707	24ACB736A**30	CAP**4821A**	58MV(B,C)080–20	36,600	12.9	16.5	1,010	840
3636736	24ACB736A**30	CAP**4821A**	58MV(B,C)100–20	36,800	13.0	16.5	1,040	800
3637009	24ACB736A**30	CAP**4821A**	58UVB080–14	36,600	12.8	16.5	1,030	820
3637018	24ACB736A**30	CAP**4821A**	58UVB080–20	36,600	12.9	16.5	1,010	840
3637034	24ACB736A**30	CAP**4821A**	58UVB100–20	36,800	13.0	16.5	1,040	800
3636864	24ACB736A**30	CAP**4821A**	58VLR105–12	36,800	12.8	16.5	1,065	880
3636895	24ACB736A**30	CAP**4821A**	58VMR105–12	36,400	12.8	16.5	975	800
4739351	24ACB736A**30	CAP**4821A**	59*N*A060V17**14	35,800	12.2	16.0	950	850
4739352	24ACB736A**30	CAP**4821A**	59*N*A080V17**14	36,000	12.7	16.2	970	870
4739353	24ACB736A**30	CAP**4821A**	59*N*A100V21**20	36,000	12.8	16.4	990	900
4739429	24ACB736A**30	CAP**4821A**	59*P5A060E17**14	36,200	12.2	16.0	1,055	730
4739410	24ACB736A**30	CAP**4821A**	59*P5A080E17**16	36,200	12.5	16.0	1,045	980
4212894	24ACB736A**30	CAP**4821A**	OVLAAB048112	36,400	12.5	16.5	1,085	880
4212893	24ACB736A**30	CAP**4821A**	OVMAAB042112	36,200	12.5	16.7	1,035	825
3636948	24ACB736A**30	CAP**4821A**+TDR		36,200	12.0	14.5	1,050	840
3636521	24ACB736A**30	CAP**4823A**	58HDV040–12	36,400	12.5	16.0	1,070	825
3636534	24ACB736A**30	CAP**4823A**	58HDV060–12	36,800	12.8	17.0	1,115	795
3636538	24ACB736A**30	CAP**4823A**	58HDV080–20	37,400	12.8	16.0	1,200	1,015
4739358	24ACB736A**30	CAP**4823A**	59*N*A100V21**20	36,000	12.5	16.2	990	900
4212899	24ACB736A**30	CAP**4823A**	OVLAAB048112	36,400	12.5	16.5	1,085	880
3636968	24ACB736A**30	CAP**4823A**+TDR		36,200	12.0	15.0	1,050	840
3636474	24ACB736A**30	CAP**4824A**	58CV(A,X)135–22	36,800	13.2	17.0	1,010	845
3636495	24ACB736A**30	CAP**4824A**	58CV(A,X)155–22	36,800	13.3	17.0	1,015	845
3636762	24ACB736A**30	CAP**4824A**	58MV(B,C)120–20	36,800	13.1	17.0	1,010	845
3637047	24ACB736A**30	CAP**4824A**	58UVB120–20	36,800	13.1	17.0	1,010	845
4739354	24ACB736A**30	CAP**4824A**	59*N*A100V21**20	36,200	12.7	16.2	990	900
4739355	24ACB736A**30	CAP**4824A**	59*N*A120V24**22	36,200	13.0	16.6	980	875
4212895	24ACB736A**30	CAP**4824A**	OVLAAB048112	36,600	12.5	16.5	1,085	880
4212896	24ACB736A**30	CAP**4824A**	OVLAAB060154	37,400	12.7	17.0	1,250	1,020
3636949	24ACB736A**30	CAP**4824A**+TDR		36,200	12.0	14.5	1,050	840
3636539	24ACB736A**30	CAP**6025A**	58HDV080–20	38,000	13.0	16.5	1,220	1,030
3636549	24ACB736A**30	CAP**6025A**	58HDV100–20	37,800	13.0	17.0	1,140	985
3636434	24ACB736A**30	CNPH*3617A**	58CV(A,X)090–16	35,600	12.7	16.5	1,005	835
3636602	24ACB736A**30	CNPH*3617A**	58ME(B,C)060–12	35,800	12.6	16.0	1,055	935
3636614	24ACB736A**30	CNPH*3617A**	58ME(B,C)080–12	35,800	12.7	16.0	1,035	905
3636625	24ACB736A**30	CNPH*3617A**	58ME(B,C)080–16	35,800	12.6	16.0	1,055	965
3636679	24ACB736A**30	CNPH*3617A**	58MV(B,C)060–14	35,800	12.6	16.0	1,055	870
4739378	24ACB736A**30	CNPH*3617A**	59*N*A060V17**14	34,800	12.2	15.5	950	850
4739379	24ACB736A**30	CNPH*3617A**	59*N*A080V17**14	35,000	12.4	15.8	970	870

See notes on page 25

# COMBINATION RATINGS CONTINUED

AHRI Ref. Number	Model Number	Indoor Coil Model Number	Furnace Model Number	AHRI Standard Ratings – Cooling				
				Cooling Capacity	EER	SEER	ID CFM	
							High	Low
4739380	24ACB736A**30	CNPH*3617A**	59*N*A100V21**20	35,000	12.4	15.8	990	900
4739381	24ACB736A**30	CNPH*3617A**	59*N*A120V24**22	35,200	12.6	16.0	980	875
4739437	24ACB736A**30	CNPH*3617A**	59*P5A060E17**14	35,200	12.2	15.8	1,030	710
4739418	24ACB736A**30	CNPH*3617A**	59*P5A080E17**16	35,200	12.3	15.6	1,020	955
4212914	24ACB736A**30	CNPH*3617A**	OVLAAB048112	35,400	12.0	15.7	1,085	880
4212915	24ACB736A**30	CNPH*3617A**	OVLAAB060154	36,200	12.2	16.2	1,250	1,020
4212913	24ACB736A**30	CNPH*3617A**	OVMAAB042112	35,200	12.2	16.2	1,035	825
3636958	24ACB736A**30	CNPH*3617A**+TDR		35,400	11.8	14.5	1,050	840
3636435	24ACB736A**30	CNPH*4221A**	58CV(A,X)090–16	36,200	12.9	16.5	1,005	835
3636450	24ACB736A**30	CNPH*4221A**	58CV(A,X)110–20	36,200	12.9	16.5	1,020	850
3636522	24ACB736A**30	CNPH*4221A**	58HDV040–12	35,000	12.0	16.5	1,055	815
3636535	24ACB736A**30	CNPH*4221A**	58HDV060–12	36,000	12.5	16.5	1,095	775
3636536	24ACB736A**30	CNPH*4221A**	58HDV080–20	36,800	12.6	16.5	1,180	915
3636603	24ACB736A**30	CNPH*4221A**	58ME(B,C)060–12	36,400	12.8	16.5	1,080	950
3636615	24ACB736A**30	CNPH*4221A**	58ME(B,C)080–12	36,400	12.8	16.5	1,055	920
3636626	24ACB736A**30	CNPH*4221A**	58ME(B,C)080–16	36,400	12.8	16.5	1,075	980
3636680	24ACB736A**30	CNPH*4221A**	58MV(B,C)060–14	36,400	12.8	16.5	1,055	870
3636695	24ACB736A**30	CNPH*4221A**	58MV(B,C)080–14	36,200	12.6	16.5	1,030	820
3636711	24ACB736A**30	CNPH*4221A**	58MV(B,C)080–20	36,000	12.7	16.5	1,010	840
3636740	24ACB736A**30	CNPH*4221A**	58MV(B,C)100–20	36,200	12.8	16.5	1,040	800
3636806	24ACB736A**30	CNPH*4221A**	58PH*090–16	36,400	12.9	16.5	1,055	925
4739382	24ACB736A**30	CNPH*4221A**	59*N*A060V17**14	35,200	12.4	15.8	950	850
4739383	24ACB736A**30	CNPH*4221A**	59*N*A080V17**14	35,400	12.5	16.0	970	870
4739384	24ACB736A**30	CNPH*4221A**	59*N*A100V21**20	35,600	12.6	16.0	990	900
4739385	24ACB736A**30	CNPH*4221A**	59*N*A120V24**22	35,600	12.5	16.0	980	875
4739438	24ACB736A**30	CNPH*4221A**	59*P5A060E17**14	35,600	12.4	16.0	1,045	715
4739419	24ACB736A**30	CNPH*4221A**	59*P5A080E17**16	35,600	12.5	15.8	1,030	965
4212917	24ACB736A**30	CNPH*4221A**	OVLAAB048112	35,800	12.2	16.2	1,085	880
4212918	24ACB736A**30	CNPH*4221A**	OVLAAB060154	36,800	12.5	16.5	1,250	1,020
4212916	24ACB736A**30	CNPH*4221A**	OVMAAB042112	35,800	12.2	16.2	1,035	825
3636959	24ACB736A**30	CNPH*4221A**+TDR		35,800	11.9	14.5	1,050	840
3636455	24ACB736A**30	CNPH*4321A**	58CV(A,X)110–20	37,000	13.5	17.5	1,020	850
3636681	24ACB736A**30	CNPH*4321A**	58MV(B,C)060–14	37,000	13.0	17.5	1,055	870
3636696	24ACB736A**30	CNPH*4321A**	58MV(B,C)080–14	37,000	13.0	17.5	1,030	820
3636712	24ACB736A**30	CNPH*4321A**	58MV(B,C)080–20	37,000	13.0	17.5	1,010	840
3636741	24ACB736A**30	CNPH*4321A**	58MV(B,C)100–20	37,000	13.0	17.5	1,040	800
3636811	24ACB736A**30	CNPH*4321A**	58PH*090–16	37,000	13.5	17.0	1,085	955
4739386	24ACB736A**30	CNPH*4321A**	59*N*A060V17**14	36,200	12.5	16.2	950	850
4739387	24ACB736A**30	CNPH*4321A**	59*N*A080V17**14	36,400	12.7	16.5	970	870
4739388	24ACB736A**30	CNPH*4321A**	59*N*A100V21**20	36,600	13.0	16.5	990	900
4739389	24ACB736A**30	CNPH*4321A**	59*N*A120V24**22	36,600	13.0	16.5	980	875
4739439	24ACB736A**30	CNPH*4321A**	59*P5A060E17**14	36,800	12.5	16.2	1,065	740
4739420	24ACB736A**30	CNPH*4321A**	59*P5A080E17**16	36,800	12.5	16.0	1,050	985
4212920	24ACB736A**30	CNPH*4321A**	OVLAAB048112	37,000	12.7	16.7	1,085	880
4212921	24ACB736A**30	CNPH*4321A**	OVLAAB060154	38,000	13.0	17.2	1,250	1,020
4212919	24ACB736A**30	CNPH*4321A**	OVMAAB042112	36,800	12.7	17.0	1,035	825
3636436	24ACB736A**30	CNPH*4821A**	58CV(A,X)090–16	36,800	13.1	17.0	1,005	835
3636451	24ACB736A**30	CNPH*4821A**	58CV(A,X)110–20	36,800	13.1	17.0	1,020	850
3636537	24ACB736A**30	CNPH*4821A**	58HDV080–20	37,600	12.9	17.0	1,220	950
3636604	24ACB736A**30	CNPH*4821A**	58ME(B,C)060–12	37,200	13.1	17.0	1,115	985
3636616	24ACB736A**30	CNPH*4821A**	58ME(B,C)080–12	37,200	13.1	17.0	1,085	945
3636627	24ACB736A**30	CNPH*4821A**	58ME(B,C)080–16	37,200	13.1	16.5	1,110	1,010
3636713	24ACB736A**30	CNPH*4821A**	58MV(B,C)080–20	36,800	13.0	16.5	1,010	840
3636742	24ACB736A**30	CNPH*4821A**	58MV(B,C)100–20	36,800	13.0	16.5	1,040	800
3636786	24ACB736A**30	CNPH*4821A**	58MVB040–14	36,600	12.8	16.5	1,000	835
3865521	24ACB736A**30	CNPH*4821A**	58PH*090–16	37,200	13.2	16.5	1,090	960
4739390	24ACB736A**30	CNPH*4821A**	59*N*A060V17**14	35,800	12.2	16.0	950	850
4739391	24ACB736A**30	CNPH*4821A**	59*N*A080V17**14	36,000	12.8	16.3	970	870
4739392	24ACB736A**30	CNPH*4821A**	59*N*A100V21**20	36,200	12.9	16.5	990	900
4739393	24ACB736A**30	CNPH*4821A**	59*N*A120V24**22	36,200	13.0	16.6	980	875
4739440	24ACB736A**30	CNPH*4821A**	59*P5A060E17**14	36,400	12.6	16.4	1,070	740
4739421	24ACB736A**30	CNPH*4821A**	59*P5A080E17**16	36,400	12.7	16.2	1,055	990
4212923	24ACB736A**30	CNPH*4821A**	OVLAAB048112	36,600	12.5	16.5	1,085	880
4212924	24ACB736A**30	CNPH*4821A**	OVLAAB060154	37,400	12.7	17.0	1,250	1,020
4212922	24ACB736A**30	CNPH*4821A**	OVMAAB042112	36,400	12.7	16.7	1,035	825
3636960	24ACB736A**30	CNPH*4821A**+TDR		36,400	12.1	14.5	1,050	840
3636412	24ACB736A**30	CNPV*3617A**	58CV(A,X)070–12	35,000	12.5	16.5	1,005	840
3636431	24ACB736A**30	CNPV*3617A**	58CV(A,X)090–16	35,600	12.7	16.5	1,005	835
3636599	24ACB736A**30	CNPV*3617A**	58ME(B,C)060–12	35,800	12.6	16.0	1,055	935
3636611	24ACB736A**30	CNPV*3617A**	58ME(B,C)080–12	35,800	12.7	16.0	1,035	905
3636622	24ACB736A**30	CNPV*3617A**	58ME(B,C)080–16	35,800	12.6	16.0	1,055	965

See notes on page 25



# COMBINATION RATINGS CONTINUED

AHRI Ref. Number	Model Number	Indoor Coil Model Number	Furnace Model Number	AHRI Standard Ratings – Cooling				
				Cooling Capacity	EER	SEER	ID CFM	
							High	Low
3636686	24ACB736A**30	CNPV*3617A**	58MV(B,C)060–14	35,800	12.6	16.0	1,055	870
3637004	24ACB736A**30	CNPV*3617A**	58UVB060–14	35,800	12.6	16.0	1,055	870
4739359	24ACB736A**30	CNPV*3617A**	59*N*A060V17**14	34,800	12.2	15.5	950	850
4739360	24ACB736A**30	CNPV*3617A**	59*N*A080V17**14	35,000	12.2	15.7	970	870
4739431	24ACB736A**30	CNPV*3617A**	59*P5A060E17**14	35,200	12.2	15.8	1,030	710
4739412	24ACB736A**30	CNPV*3617A**	59*P5A080E17**16	35,200	12.3	15.6	1,020	955
4212900	24ACB736A**30	CNPV*3617A**	OVMAAB042112	35,200	12.2	16.2	1,035	825
3636950	24ACB736A**30	CNPV*3617A**+TDR		35,400	11.8	14.5	1,050	840
3636448	24ACB736A**30	CNPV*3621A**	58CV(A,X)110–20	35,800	12.7	16.0	1,020	850
3865532	24ACB736A**30	CNPV*3621A**	58HDV040–12 (DWNFLW ONLY)	35,400	11.9	15.5	1,045	805
3865533	24ACB736A**30	CNPV*3621A**	58HDV060–12 (DWNFLW ONLY)	35,800	12.2	16.0	1,085	775
3636698	24ACB736A**30	CNPV*3621A**	58MV(B,C)080–14	35,600	12.4	16.0	1,030	820
3636719	24ACB736A**30	CNPV*3621A**	58MV(B,C)080–20	35,600	12.5	16.0	1,010	840
3636748	24ACB736A**30	CNPV*3621A**	58MV(B,C)100–20	35,800	12.6	16.0	1,040	800
3636805	24ACB736A**30	CNPV*3621A**	58PH*090–16	36,000	12.8	16.0	1,045	910
3637011	24ACB736A**30	CNPV*3621A**	58UVB080–14	35,600	12.4	16.0	1,030	820
3637022	24ACB736A**30	CNPV*3621A**	58UVB080–20	35,600	12.5	16.0	1,010	840
3637038	24ACB736A**30	CNPV*3621A**	58UVB100–20	35,800	12.6	16.0	1,040	800
3636865	24ACB736A**30	CNPV*3621A**	58VLR105–12	35,800	12.4	16.0	1,065	880
3636896	24ACB736A**30	CNPV*3621A**	58VMR105–12	35,400	12.5	16.0	975	800
4739361	24ACB736A**30	CNPV*3621A**	59*N*A060V17**14	34,800	12.0	15.5	950	850
4739362	24ACB736A**30	CNPV*3621A**	59*N*A080V17**14	35,000	12.4	15.8	970	870
4739363	24ACB736A**30	CNPV*3621A**	59*N*A100V21**20	35,200	12.5	15.8	990	900
4739432	24ACB736A**30	CNPV*3621A**	59*P5A060E17**14	35,200	12.0	15.5	1,035	710
4739413	24ACB736A**30	CNPV*3621A**	59*P5A080E17**16	35,200	12.2	15.2	1,025	955
4212902	24ACB736A**30	CNPV*3621A**	OVLAAB048112	35,400	12.0	15.7	1,085	880
4212901	24ACB736A**30	CNPV*3621A**	OVMAAB042112	35,400	12.2	16.2	1,035	825
3636951	24ACB736A**30	CNPV*3621A**+TDR		35,400	11.8	14.5	1,050	840
3636413	24ACB736A**30	CNPV*3717A**	58CV(A,X)070–12	36,000	13.0	17.0	1,005	840
3636432	24ACB736A**30	CNPV*3717A**	58CV(A,X)090–16	37,200	13.2	17.0	1,005	835
3636600	24ACB736A**30	CNPV*3717A**	58ME(B,C)060–12	37,600	13.1	17.0	1,090	965
3636612	24ACB736A**30	CNPV*3717A**	58ME(B,C)080–12	37,400	13.2	17.0	1,060	930
3636623	24ACB736A**30	CNPV*3717A**	58ME(B,C)080–16	37,600	13.1	17.0	1,085	990
3636688	24ACB736A**30	CNPV*3717A**	58MV(B,C)060–14	37,400	13.1	17.0	1,055	870
3637006	24ACB736A**30	CNPV*3717A**	58UVB060–14	37,400	13.1	17.0	1,055	870
3865519	24ACB736A**30	CNPV*3717A**	58VLR105–12	37,400	13.0	16.5	1,065	610
3818376	24ACB736A**30	CNPV*3717A**	58VMR105–12	36,800	13.0	16.5	975	800
4739364	24ACB736A**30	CNPV*3717A**	59*N*A060V17**14	36,200	12.4	16.0	950	850
4739365	24ACB736A**30	CNPV*3717A**	59*N*A080V17**14	36,400	12.6	16.2	970	870
4739433	24ACB736A**30	CNPV*3717A**	59*P5A060E17**14	36,800	12.4	16.1	1,050	730
4739414	24ACB736A**30	CNPV*3717A**	59*P5A080E17**16	36,800	12.6	16.0	1,040	975
4212903	24ACB736A**30	CNPV*3717A**	OVMAAB042112	36,800	12.7	16.7	1,035	825
3636952	24ACB736A**30	CNPV*3717A**+TDR		36,800	12.2	15.0	1,050	840
3636414	24ACB736A**30	CNPV*4217A**	58CV(A,X)070–12	36,000	13.0	17.0	1,005	840
3636433	24ACB736A**30	CNPV*4217A**	58CV(A,X)090–16	36,400	12.9	16.5	1,005	835
3636601	24ACB736A**30	CNPV*4217A**	58ME(B,C)060–12	36,800	12.9	16.5	1,075	950
3636613	24ACB736A**30	CNPV*4217A**	58ME(B,C)080–12	36,600	12.9	16.5	1,050	920
3636624	24ACB736A**30	CNPV*4217A**	58ME(B,C)080–16	36,800	12.9	16.5	1,075	980
3636689	24ACB736A**30	CNPV*4217A**	58MV(B,C)060–14	36,600	12.8	16.5	1,055	870
3637007	24ACB736A**30	CNPV*4217A**	58UVB060–14	36,600	12.8	16.5	1,055	870
4739366	24ACB736A**30	CNPV*4217A**	59*N*A060V17**14	35,400	12.4	15.8	950	850
4739367	24ACB736A**30	CNPV*4217A**	59*N*A080V17**14	35,600	12.2	16.0	970	870
4739434	24ACB736A**30	CNPV*4217A**	59*P5A060E17**14	36,000	12.4	16.1	1,040	715
4739415	24ACB736A**30	CNPV*4217A**	59*P5A080E17**16	36,000	12.6	15.9	1,030	965
4212904	24ACB736A**30	CNPV*4217A**	OVMAAB042112	36,000	12.5	16.5	1,035	825
3636953	24ACB736A**30	CNPV*4217A**+TDR		36,000	12.0	14.5	1,050	840
3636441	24ACB736A**30	CNPV*4221A**	58CV(A,X)090–16	36,000	13.0	17.0	1,005	835
3865534	24ACB736A**30	CNPV*4221A**	58HDV040–12 (DWNFLW ONLY)	35,800	12.1	15.5	1,055	810
3865535	24ACB736A**30	CNPV*4221A**	58HDV060–12 (DWNFLW ONLY)	36,200	12.3	16.0	1,095	780
3636699	24ACB736A**30	CNPV*4221A**	58MV(B,C)080–14	36,200	12.6	16.5	1,030	820
3636720	24ACB736A**30	CNPV*4221A**	58MV(B,C)080–20	36,000	12.7	16.5	1,010	840
3636749	24ACB736A**30	CNPV*4221A**	58MV(B,C)100–20	36,200	12.8	16.5	1,040	800
3865520	24ACB736A**30	CNPV*4221A**	58PH*090–16	36,400	12.9	16.5	1,055	925
3637012	24ACB736A**30	CNPV*4221A**	58UVB080–14	36,200	12.6	16.5	1,030	820
3637023	24ACB736A**30	CNPV*4221A**	58UVB080–20	36,000	12.7	16.5	1,010	840
3637039	24ACB736A**30	CNPV*4221A**	58UVB100–20	36,200	12.8	16.5	1,040	800
3636866	24ACB736A**30	CNPV*4221A**	58VLR105–12	36,200	12.6	16.0	1,065	880

See notes on page 25

# COMBINATION RATINGS CONTINUED

AHRI Ref. Number	Model Number	Indoor Coil Model Number	Furnace Model Number	AHRI Standard Ratings – Cooling				
				Cooling Capacity	EER	SEER	ID CFM	
							High	Low
3636870	24ACB736A**30	CNPV*4221A**	58VLR120-20	36,800	12.7	16.5	1,170	1,005
3636897	24ACB736A**30	CNPV*4221A**	58VMR105-12	35,800	12.6	16.5	975	800
3636901	24ACB736A**30	CNPV*4221A**	58VMR120-20	36,600	12.5	16.0	1,155	1,000
4739368	24ACB736A**30	CNPV*4221A**	59*N*A060V17**14	35,200	12.2	15.7	950	850
4739369	24ACB736A**30	CNPV*4221A**	59*N*A080V17**14	35,400	12.5	16.0	970	870
4739370	24ACB736A**30	CNPV*4221A**	59*N*A100V21**20	35,600	12.6	16.1	990	900
4739435	24ACB736A**30	CNPV*4221A**	59*P5A060E17**14	35,600	12.2	16.0	1,045	715
4739416	24ACB736A**30	CNPV*4221A**	59*P5A080E17**16	35,600	12.2	15.5	1,030	965
4212906	24ACB736A**30	CNPV*4221A**	OVLAAB048112	35,800	12.2	16.2	1,085	880
4212905	24ACB736A**30	CNPV*4221A**	OVMAAB042112	35,800	12.2	16.2	1,035	825
3636954	24ACB736A**30	CNPV*4221A**+TDR		35,800	11.9	14.5	1,050	840
3865536	24ACB736A**30	CNPV*4324A**	58HDV080--20 (DWNFLW ONLY)	38,000	13.0	17.0	1,230	965
3865537	24ACB736A**30	CNPV*4324A**	58HDV100--20 (DWNFLW ONLY)	38,000	13.2	17.0	1,155	920
3636770	24ACB736A**30	CNPV*4324A**	58MV(B,C)120-20	37,000	13.5	18.0	1,010	845
3636810	24ACB736A**30	CNPV*4324A**	58PH*090-16	37,000	13.5	17.5	1,105	975
3637051	24ACB736A**30	CNPV*4324A**	58UVB120-20	37,000	13.5	18.0	1,010	845
4739371	24ACB736A**30	CNPV*4324A**	59*N*A100V21**20	36,600	13.0	16.5	990	900
4739372	24ACB736A**30	CNPV*4324A**	59*N*A120V24**22	36,800	13.0	16.7	980	875
4212907	24ACB736A**30	CNPV*4324A**	OVLAAB048112	37,200	12.7	16.7	1,085	880
4212908	24ACB736A**30	CNPV*4324A**	OVLAAB060154	38,000	13.0	17.2	1,250	1,020
3636437	24ACB736A**30	CNPV*4821A**	58CV(A,X)090-16	36,800	13.1	17.0	1,005	835
3636449	24ACB736A**30	CNPV*4821A**	58CV(A,X)110-20	36,800	13.1	17.0	1,020	850
3865538	24ACB736A**30	CNPV*4821A**	58HDV040--12 (DWNFLW ONLY)	36,600	12.3	16.0	1,080	835
3865539	24ACB736A**30	CNPV*4821A**	58HDV060--12 (DWNFLW ONLY)	37,000	12.6	16.5	1,130	815
3636605	24ACB736A**30	CNPV*4821A**	58ME(B,C)060-12	37,200	13.1	17.0	1,115	835
3636628	24ACB736A**30	CNPV*4821A**	58ME(B,C)080-16	37,000	13.0	16.5	1,090	995
3636700	24ACB736A**30	CNPV*4821A**	58MV(B,C)080-14	36,800	12.9	16.5	1,030	820
3636721	24ACB736A**30	CNPV*4821A**	58MV(B,C)080-20	36,800	13.0	16.5	1,010	840
3636750	24ACB736A**30	CNPV*4821A**	58MV(B,C)100-20	36,800	13.0	16.5	1,040	800
3637013	24ACB736A**30	CNPV*4821A**	58UVB080-14	36,800	12.9	16.5	1,030	820
3637024	24ACB736A**30	CNPV*4821A**	58UVB080-20	36,800	13.0	16.5	1,010	840
3637040	24ACB736A**30	CNPV*4821A**	58UVB100-20	36,800	13.0	16.5	1,040	800
3636867	24ACB736A**30	CNPV*4821A**	58VLR105-12	37,000	12.9	16.5	1,065	880
3636871	24ACB736A**30	CNPV*4821A**	58VLR120-20	37,600	13.0	17.0	1,170	1,005
3636898	24ACB736A**30	CNPV*4821A**	58VMR105-12	36,400	12.9	17.0	975	800
3636902	24ACB736A**30	CNPV*4821A**	58VMR120-20	37,400	13.0	16.5	1,155	1,000
4739373	24ACB736A**30	CNPV*4821A**	59*N*A060V17**14	35,800	12.2	16.0	950	850
4739374	24ACB736A**30	CNPV*4821A**	59*N*A080V17**14	36,000	12.8	16.3	970	870
4739375	24ACB736A**30	CNPV*4821A**	59*N*A100V21**20	36,200	12.9	16.5	990	900
4739436	24ACB736A**30	CNPV*4821A**	59*P5A060E17**14	36,400	12.6	16.4	1,070	740
4739417	24ACB736A**30	CNPV*4821A**	59*P5A080E17**16	36,400	12.7	16.2	1,055	990
4212910	24ACB736A**30	CNPV*4821A**	OVLAAB048112	36,600	12.5	16.5	1,085	880
4212909	24ACB736A**30	CNPV*4821A**	OVMAAB042112	36,400	12.7	16.7	1,035	825
3636956	24ACB736A**30	CNPV*4821A**+TDR		36,400	12.1	14.5	1,050	840
3636475	24ACB736A**30	CNPV*4824A**	58CV(A,X)135-22	36,800	13.2	17.0	1,010	845
3636496	24ACB736A**30	CNPV*4824A**	58CV(A,X)155-22	37,000	13.4	17.0	1,015	845
3865540	24ACB736A**30	CNPV*4824A**	58HDV080--20 (DWNFLW ONLY)	37,600	12.9	17.0	1,220	950
3865541	24ACB736A**30	CNPV*4824A**	58HDV100--20 (DWNFLW ONLY)	37,400	13.0	17.0	1,140	905
3636701	24ACB736A**30	CNPV*4824A**	58MV(B,C)080-14	36,800	12.9	16.5	1,030	820
3636723	24ACB736A**30	CNPV*4824A**	58MV(B,C)080-20	36,600	13.0	16.5	1,010	840
3636752	24ACB736A**30	CNPV*4824A**	58MV(B,C)100-20	36,800	13.1	16.5	1,040	800
3636771	24ACB736A**30	CNPV*4824A**	58MV(B,C)120-20	36,800	13.1	17.0	1,010	845
3637014	24ACB736A**30	CNPV*4824A**	58UVB080-14	36,800	12.9	16.5	1,030	820
3637026	24ACB736A**30	CNPV*4824A**	58UVB080-20	36,600	13.0	16.5	1,010	840
3637042	24ACB736A**30	CNPV*4824A**	58UVB100-20	36,800	13.1	16.5	1,040	800
3637052	24ACB736A**30	CNPV*4824A**	58UVB120-20	36,800	13.1	17.0	1,010	845
4739376	24ACB736A**30	CNPV*4824A**	59*N*A100V21**20	36,200	12.9	16.5	990	900
4739377	24ACB736A**30	CNPV*4824A**	59*N*A120V24**22	36,200	13.0	16.6	980	875
4212911	24ACB736A**30	CNPV*4824A**	OVLAAB048112	36,600	12.5	16.5	1,085	880
4212912	24ACB736A**30	CNPV*4824A**	OVLAAB060154	37,400	12.7	17.0	1,250	1,020
3636957	24ACB736A**30	CNPV*4824A**+TDR		36,400	12.1	14.5	1,050	840
3636409	24ACB736A**30	CSPH*3612A**	58CV(A,X)070-12	36,400	12.8	16.5	1,005	840
3636438	24ACB736A**30	CSPH*3612A**	58CV(A,X)090-16	36,600	13.0	16.5	1,005	835
3636452	24ACB736A**30	CSPH*3612A**	58CV(A,X)110-20	36,600	13.0	16.5	1,020	850
3636476	24ACB736A**30	CSPH*3612A**	58CV(A,X)135-22	36,600	13.1	17.0	1,010	845

See notes on page 25

# COMBINATION RATINGS CONTINUED

AHRI Ref. Number	Model Number	Indoor Coil Model Number	Furnace Model Number	AHRI Standard Ratings – Cooling				
				Cooling Capacity	EER	SEER	ID CFM	
							High	Low
3636497	24ACB736A**30	CSPH*3612A**	58CV(A,X)155-22	36,800	13.2	17.0	1,015	845
3636530	24ACB736A**30	CSPH*3612A**	58HDV060--12	36,800	12.5	16.0	1,100	775
3636594	24ACB736A**30	CSPH*3612A**	58ME(B,C)060-12	37,000	13.0	17.0	1,080	805
3636606	24ACB736A**30	CSPH*3612A**	58ME(B,C)080-12	36,800	13.0	16.5	1,055	920
3636617	24ACB736A**30	CSPH*3612A**	58ME(B,C)080-16	37,000	12.9	16.5	1,080	980
3636729	24ACB736A**30	CSPH*3612A**	58MV(B,C)080-20	36,600	12.9	16.5	1,010	840
3636756	24ACB736A**30	CSPH*3612A**	58MV(B,C)100-20	36,800	12.9	16.5	1,040	800
3636777	24ACB736A**30	CSPH*3612A**	58MV(B,C)120-20	36,600	13.0	16.5	1,010	845
4385477	24ACB736A**30	CSPH*3612A**	58PH*070-16	36,000	12.2	16.0	1,045	920
3636807	24ACB736A**30	CSPH*3612A**	58PH*090-16	36,400	13.1	16.5	1,060	925
4739394	24ACB736A**30	CSPH*3612A**	59*N*A060V17**14	35,600	12.2	15.7	950	850
4739395	24ACB736A**30	CSPH*3612A**	59*N*A080V17**14	35,800	12.5	16.0	970	870
4739396	24ACB736A**30	CSPH*3612A**	59*N*A100V21**20	36,000	12.8	16.3	990	900
4739397	24ACB736A**30	CSPH*3612A**	59*N*A120V24**22	36,000	12.9	16.5	980	875
4739441	24ACB736A**30	CSPH*3612A**	59*P5A060E17**14	36,200	12.5	16.2	1,045	710
4739422	24ACB736A**30	CSPH*3612A**	59*P5A080E17**16	36,200	12.6	16.0	1,035	965
4212926	24ACB736A**30	CSPH*3612A**	OVLAAB048112	36,400	12.5	16.2	1,085	880
4212927	24ACB736A**30	CSPH*3612A**	OVLAAB060154	37,200	12.7	16.7	1,250	1,020
4212925	24ACB736A**30	CSPH*3612A**	OVMAAB042112	36,200	12.5	16.5	1,035	825
3636964	24ACB736A**30	CSPH*3612A**+TDR		35,800	12.1	14.5	1,050	840
3636410	24ACB736A**30	CSPH*4212A**	58CV(A,X)070-12	36,600	12.9	16.5	1,005	840
3636439	24ACB736A**30	CSPH*4212A**	58CV(A,X)090-16	36,800	13.1	17.0	1,005	835
3636453	24ACB736A**30	CSPH*4212A**	58CV(A,X)110-20	37,000	13.1	17.0	1,020	850
3636477	24ACB736A**30	CSPH*4212A**	58CV(A,X)135-22	36,800	13.2	17.0	1,010	845
3636498	24ACB736A**30	CSPH*4212A**	58CV(A,X)155-22	37,000	13.3	17.0	1,015	845
3636531	24ACB736A**30	CSPH*4212A**	58HDV060--12	37,000	12.6	16.5	1,110	785
3636595	24ACB736A**30	CSPH*4212A**	58ME(B,C)060-12	37,200	13.1	17.0	1,095	815
3636607	24ACB736A**30	CSPH*4212A**	58ME(B,C)080-12	37,200	13.1	17.0	1,065	780
3636618	24ACB736A**30	CSPH*4212A**	58ME(B,C)080-16	37,200	13.0	16.5	1,090	990
3636702	24ACB736A**30	CSPH*4212A**	58MV(B,C)080-14	36,800	12.9	16.5	1,030	820
3636730	24ACB736A**30	CSPH*4212A**	58MV(B,C)080-20	36,800	13.0	16.5	1,010	840
3636757	24ACB736A**30	CSPH*4212A**	58MV(B,C)100-20	37,000	13.0	16.5	1,040	800
3636778	24ACB736A**30	CSPH*4212A**	58MV(B,C)120-20	36,800	13.1	17.0	1,010	845
3636808	24ACB736A**30	CSPH*4212A**	58PH*090-16	37,200	13.2	16.5	1,070	935
4739398	24ACB736A**30	CSPH*4212A**	59*N*A060V17**14	35,800	12.2	16.0	950	850
4739399	24ACB736A**30	CSPH*4212A**	59*N*A080V17**14	36,000	12.8	16.4	970	870
4739400	24ACB736A**30	CSPH*4212A**	59*N*A100V21**20	36,200	12.9	16.3	990	900
4739401	24ACB736A**30	CSPH*4212A**	59*N*A120V24**22	36,200	13.0	16.6	980	875
4739442	24ACB736A**30	CSPH*4212A**	59*P5A060E17**14	36,400	12.6	16.3	1,055	720
4739423	24ACB736A**30	CSPH*4212A**	59*P5A080E17**16	36,400	12.7	16.1	1,040	975
4212929	24ACB736A**30	CSPH*4212A**	OVLAAB048112	36,600	12.5	16.5	1,085	880
4212930	24ACB736A**30	CSPH*4212A**	OVLAAB060154	37,600	12.7	16.7	1,250	1,020
4212928	24ACB736A**30	CSPH*4212A**	OVMAAB042112	36,400	12.7	16.7	1,035	825
3636965	24ACB736A**30	CSPH*4212A**+TDR		36,400	12.1	15.0	1,050	840
3636411	24ACB736A**30	CSPH*4812A**	58CV(A,X)070-12	36,800	12.9	16.5	1,005	840
3636440	24ACB736A**30	CSPH*4812A**	58CV(A,X)090-16	37,000	13.1	17.0	1,005	835
3636454	24ACB736A**30	CSPH*4812A**	58CV(A,X)110-20	37,000	13.1	17.0	1,020	850
3636478	24ACB736A**30	CSPH*4812A**	58CV(A,X)135-22	37,000	13.2	17.0	1,010	845
3636499	24ACB736A**30	CSPH*4812A**	58CV(A,X)155-22	37,200	13.3	17.0	1,015	845
3636532	24ACB736A**30	CSPH*4812A**	58HDV060--12	37,200	12.6	16.5	1,110	790
3636596	24ACB736A**30	CSPH*4812A**	58ME(B,C)060-12	37,400	13.1	17.0	1,095	820
3636608	24ACB736A**30	CSPH*4812A**	58ME(B,C)080-12	37,400	13.1	17.0	1,065	930
3636619	24ACB736A**30	CSPH*4812A**	58ME(B,C)080-16	37,400	13.1	16.5	1,090	990
3636703	24ACB736A**30	CSPH*4812A**	58MV(B,C)080-14	37,000	12.9	16.5	1,030	820
3636731	24ACB736A**30	CSPH*4812A**	58MV(B,C)080-20	37,000	13.0	16.5	1,010	840
3636758	24ACB736A**30	CSPH*4812A**	58MV(B,C)100-20	37,200	13.1	16.5	1,040	800
3636779	24ACB736A**30	CSPH*4812A**	58MV(B,C)120-20	37,000	13.2	17.0	1,010	845
3636809	24ACB736A**30	CSPH*4812A**	58PH*090-16	37,400	13.2	16.5	1,070	940
4739402	24ACB736A**30	CSPH*4812A**	59*N*A060V17**14	36,000	12.2	16.0	950	850
4739403	24ACB736A**30	CSPH*4812A**	59*N*A080V17**14	36,200	12.8	16.3	970	870
4739404	24ACB736A**30	CSPH*4812A**	59*N*A100V21**20	36,400	12.9	16.5	990	900
4739405	24ACB736A**30	CSPH*4812A**	59*N*A120V24**22	36,400	13.0	16.7	980	875
4739443	24ACB736A**30	CSPH*4812A**	59*P5A060E17**14	36,600	12.6	16.4	1,055	730
4739424	24ACB736A**30	CSPH*4812A**	59*P5A080E17**16	36,600	12.8	16.2	1,040	975
4212932	24ACB736A**30	CSPH*4812A**	OVLAAB048112	36,800	12.5	16.5	1,085	880
4212933	24ACB736A**30	CSPH*4812A**	OVLAAB060154	37,600	12.7	17.0	1,250	1,020
4212931	24ACB736A**30	CSPH*4812A**	OVMAAB042112	36,600	12.7	16.7	1,035	825
3636966	24ACB736A**30	CSPH*4812A**+TDR		36,600	12.2	15.0	1,050	840
3636961	24ACB736A**30	FV4CN(B,F)003		36,200	13.0	17.0	1,050	840
3636962	24ACB736A**30	FV4CN(B,F)005		37,600	13.5	17.5	1,050	840
3636963	24ACB736A**30	FV4CNB006		38,000	13.7	17.5	1,050	840

See notes on page 25

# COMBINATION RATINGS CONTINUED

AHRI Ref. Number	Model Number	Indoor Coil Model Number	Furnace Model Number	AHRI Standard Ratings – Cooling				
				Cooling Capacity	EER	SEER	ID CFM	
							High	Low
3636969	24ACB736A**30	FV4CNF002		36,000	12.6	16.0	1,050	840
3636746	24ACB748A**30	†CNPH*6124A**	58MV(B,C)100–20	50,000	13.2	16.5	1,395	1,040
3636442	24ACB748A**30	CAP**4817A**	58CV(A,X)090–16	47,500	12.5	16.0	1,345	1,005
3636706	24ACB748A**30	CAP**4817A**	58MV(B,C)080–20	47,500	12.3	16.0	1,310	1,010
3637017	24ACB748A**30	CAP**4817A**	58UVB080–20	47,500	12.3	16.0	1,310	1,010
4739470	24ACB748A**30	CAP**4817A**	59*P5A080E17**16	48,000	12.2	15.5	1,350	1,045
3636970	24ACB748A**30	CAP**4817A**+TDR		47,500	12.1	14.5	1,400	1,120
3636629	24ACB748A**30	CAP**4821A**	58ME(B,C)080–16	47,500	12.3	16.0	1,430	1,105
3636636	24ACB748A**30	CAP**4821A**	58ME(B,C)100–20	47,500	12.6	16.0	1,385	1,050
3636708	24ACB748A**30	CAP**4821A**	58MV(B,C)080–20	47,000	12.3	15.5	1,310	1,010
3636737	24ACB748A**30	CAP**4821A**	58MV(B,C)100–20	47,000	12.2	16.0	1,395	1,040
3636820	24ACB748A**30	CAP**4821A**	58PH*110–20	47,500	12.7	16.0	1,350	1,110
3637019	24ACB748A**30	CAP**4821A**	58UVB080–20	47,000	12.3	15.5	1,310	1,010
3637035	24ACB748A**30	CAP**4821A**	58UVB100–20	47,000	12.2	16.0	1,395	1,040
3636872	24ACB748A**30	CAP**4821A**	58VLR120–20	47,000	12.2	15.5	1,350	1,170
3636903	24ACB748A**30	CAP**4821A**	58VMR120–20	47,000	12.1	15.5	1,355	1,155
4739444	24ACB748A**30	CAP**4821A**	59*N*A100V21**20	47,500	12.2	15.7	1,315	1,140
4739471	24ACB748A**30	CAP**4821A**	59*P5A080E17**16	47,500	12.3	15.6	1,365	1,055
4739472	24ACB748A**30	CAP**4821A**	59*P5A100E21**16	47,500	12.5	15.7	1,360	1,180
4212959	24ACB748A**30	CAP**4821A**	OVLAAB048112	47,500	12.2	15.7	1,450	1,170
3636971	24ACB748A**30	CAP**4821A**+TDR		48,000	12.0	14.5	1,600	1,120
3636546	24ACB748A**30	CAP**4823A**	58HDV080--20	46,500	11.5	15.5	1,470	1,165
3636559	24ACB748A**30	CAP**4823A**	58HDV100--20	46,000	11.8	15.5	1,405	1,105
4739450	24ACB748A**30	CAP**4823A**	59*N*A100V21**20	47,500	12.7	15.7	1,315	1,140
4739479	24ACB748A**30	CAP**4823A**	59*P5A100E21**16	47,500	12.5	15.7	1,360	1,180
4212939	24ACB748A**30	CAP**4823A**	OVLAAB048112	47,500	12.2	15.7	1,450	1,170
3636984	24ACB748A**30	CAP**4823A**		46,000	11.5	14.0	1,400	1,120
3636456	24ACB748A**30	CAP**4824A**	58CV(A,X)110–20	47,500	12.6	16.0	1,355	1,020
3636479	24ACB748A**30	CAP**4824A**	58CV(A,X)135–22	47,500	12.8	16.0	1,355	1,010
3636637	24ACB748A**30	CAP**4824A**	58ME(B,C)100–20	47,500	12.7	16.0	1,410	1,065
3636656	24ACB748A**30	CAP**4824A**	58ME(B,C)120–20	48,000	12.8	16.0	1,425	1,260
3636763	24ACB748A**30	CAP**4824A**	58MV(B,C)120–20	47,500	12.5	16.0	1,360	1,010
3636812	24ACB748A**30	CAP**4824A**	58PH*090–16	47,500	12.5	16.0	1,415	1,100
3636821	24ACB748A**30	CAP**4824A**	58PH*110–20	47,500	12.8	16.0	1,375	1,130
3637048	24ACB748A**30	CAP**4824A**	58UVB120–20	47,500	12.5	16.0	1,360	1,010
3636873	24ACB748A**30	CAP**4824A**	58VLR120–20	47,000	12.2	15.5	1,350	1,170
3636904	24ACB748A**30	CAP**4824A**	58VMR120–20	47,000	12.2	15.5	1,355	1,155
4739445	24ACB748A**30	CAP**4824A**	59*N*A100V21**20	47,500	12.7	16.0	1,315	1,140
4739446	24ACB748A**30	CAP**4824A**	59*N*A120V24**22	47,500	13.0	16.0	1,290	1,130
4739473	24ACB748A**30	CAP**4824A**	59*P5A100E21**16	48,000	12.5	15.7	1,380	1,195
4739474	24ACB748A**30	CAP**4824A**	59*P5A120E24**22	48,000	13.0	16.0	1,410	1,285
4212934	24ACB748A**30	CAP**4824A**	OVLAAB048112	48,000	12.2	15.7	1,450	1,170
4212935	24ACB748A**30	CAP**4824A**	OVLAAB060154	48,500	13.0	16.7	1,445	1,170
3636972	24ACB748A**30	CAP**4824A**+TDR		47,000	12.0	14.5	1,400	1,120
3636457	24ACB748A**30	CAP**6021A**	58CV(A,X)110–20	48,500	12.8	16.0	1,355	1,020
3636709	24ACB748A**30	CAP**6021A**	58MV(B,C)080–20	48,000	12.6	16.0	1,310	1,010
3636738	24ACB748A**30	CAP**6021A**	58MV(B,C)100–20	48,500	12.5	16.0	1,395	1,040
3636813	24ACB748A**30	CAP**6021A**	58PH*090–16	48,500	12.8	17.0	1,410	1,100
3636822	24ACB748A**30	CAP**6021A**	58PH*110–20	48,500	13.0	17.0	1,370	1,125
3636840	24ACB748A**30	CAP**6021A**	58PH*135–20	48,500	12.9	16.0	1,390	1,225
3637020	24ACB748A**30	CAP**6021A**	58UVB080–20	48,000	12.6	16.0	1,310	1,010
3637036	24ACB748A**30	CAP**6021A**	58UVB100–20	48,500	12.5	16.0	1,395	1,040
3636874	24ACB748A**30	CAP**6021A**	58VLR120–20	47,000	12.7	15.5	1,350	1,170
3636905	24ACB748A**30	CAP**6021A**	58VMR120–20	48,000	12.4	15.5	1,355	1,155
4739447	24ACB748A**30	CAP**6021A**	59*N*A100V21**20	48,500	13.0	16.0	1,315	1,140
4739475	24ACB748A**30	CAP**6021A**	59*P5A080E17**16	48,500	12.5	16.0	1,375	1,065
4739476	24ACB748A**30	CAP**6021A**	59*P5A100E21**16	49,000	13.0	16.0	1,375	1,190
4212936	24ACB748A**30	CAP**6021A**	OVLAAB048112	49,000	12.5	16.0	1,450	1,170
3636973	24ACB748A**30	CAP**6021A**+TDR		48,000	12.3	14.5	1,400	1,120
3636458	24ACB748A**30	CAP**6024A**	58CV(A,X)110–20	48,500	12.8	16.0	1,355	1,020
3636480	24ACB748A**30	CAP**6024A**	58CV(A,X)135–22	48,500	13.0	16.5	1,355	1,010
3636500	24ACB748A**30	CAP**6024A**	58CV(A,X)155–22	48,500	13.1	16.5	1,365	1,015
3636638	24ACB748A**30	CAP**6024A**	58ME(B,C)100–20	48,500	12.9	16.5	1,410	1,070
3636657	24ACB748A**30	CAP**6024A**	58ME(B,C)120–20	49,000	13.0	16.5	1,425	1,260
3636764	24ACB748A**30	CAP**6024A**	58MV(B,C)120–20	48,500	12.8	16.0	1,360	1,010
3636823	24ACB748A**30	CAP**6024A**	58PH*110–20	48,500	13.1	16.5	1,380	1,130
3636841	24ACB748A**30	CAP**6024A**	58PH*135–20	48,500	12.9	16.0	1,400	1,235
3637049	24ACB748A**30	CAP**6024A**	58UVB120–20	48,500	12.8	16.0	1,360	1,010
4739448	24ACB748A**30	CAP**6024A**	59*N*A100V21**20	48,500	13.0	16.0	1,315	1,140
4739449	24ACB748A**30	CAP**6024A**	59*N*A120V24**22	48,500	13.0	16.0	1,290	1,130

See notes on page 25

24ACB7

# COMBINATION RATINGS CONTINUED

AHRI Ref. Number	Model Number	Indoor Coil Model Number	Furnace Model Number	AHRI Standard Ratings – Cooling				
				Cooling Capacity	EER	SEER	ID CFM	
							High	Low
4739477	24ACB748A**30	CAP**6024A**	59*P5A100E21**16	49,000	13.0	16.0	1,380	1,195
4739478	24ACB748A**30	CAP**6024A**	59*P5A120E24**22	49,500	13.0	16.4	1,415	1,290
4212937	24ACB748A**30	CAP**6024A**	OVLAA048112	49,000	12.5	16.0	1,450	1,170
4212938	24ACB748A**30	CAP**6024A**	OVLAA060154	49,500	13.2	16.7	1,445	1,170
3636545	24ACB748A**30	CAP**6025A**	58HDV080 – – 20	47,500	12.2	16.0	1,495	1,185
3636558	24ACB748A**30	CAP**6025A**	58HDV100 – – 20	46,000	12.4	16.0	1,430	1,125
4739451	24ACB748A**30	CAP**6025A**	59*N*A100V21**20	48,500	13.0	16.0	1,315	1,140
4739452	24ACB748A**30	CAP**6025A**	59*N*A120V24**22	48,500	13.2	16.5	1,290	1,130
4739480	24ACB748A**30	CAP**6025A**	59*P5A100E21**16	49,000	13.0	16.0	1,380	1,195
4739481	24ACB748A**30	CAP**6025A**	59*P5A120E24**22	49,500	13.0	16.2	1,415	1,290
4212940	24ACB748A**30	CAP**6025A**	OVLAA048112	49,000	12.5	16.0	1,450	1,170
4212941	24ACB748A**30	CAP**6025A**	OVLAA060154	49,500	13.2	16.7	1,445	1,170
3636985	24ACB748A**30	CAP**6025A**+TDR		48,000	12.4	15.0	1,400	1,120
3636463	24ACB748A**30	CNPH*4821A**	58CV(A,X)110 – 20	47,500	12.6	16.0	1,355	1,020
3636542	24ACB748A**30	CNPH*4821A**	58HDV080 – – 20	48,000	12.3	16.0	1,495	1,185
3636553	24ACB748A**30	CNPH*4821A**	58HDV100 – – 20	47,500	12.4	16.0	1,430	1,125
3636631	24ACB748A**30	CNPH*4821A**	58ME(B,C)080 – 16	47,500	12.4	16.0	1,450	1,020
3636643	24ACB748A**30	CNPH*4821A**	58ME(B,C)100 – 20	47,500	12.7	16.5	1,410	1,070
3636714	24ACB748A**30	CNPH*4821A**	58MV(B,C)080 – 20	47,000	12.4	16.0	1,310	1,010
3636743	24ACB748A**30	CNPH*4821A**	58MV(B,C)100 – 20	47,500	12.4	16.0	1,395	1,040
3636814	24ACB748A**30	CNPH*4821A**	58PH*090 – 16	47,500	12.6	16.0	1,420	1,105
3636828	24ACB748A**30	CNPH*4821A**	58PH*110 – 20	48,000	12.8	16.0	1,380	1,130
4739460	24ACB748A**30	CNPH*4821A**	59*N*A100V21**20	47,500	13.0	16.0	1,315	1,140
4739461	24ACB748A**30	CNPH*4821A**	59*N*A120V24**22	47,500	13.0	16.2	1,290	1,130
4739490	24ACB748A**30	CNPH*4821A**	59*P5A100E21**16	48,000	12.5	15.7	1,385	1,200
4739491	24ACB748A**30	CNPH*4821A**	59*P5A120E24**22	48,500	13.0	16.0	1,415	1,290
4212949	24ACB748A**30	CNPH*4821A**	OVLAA048112	48,000	12.2	15.7	1,450	1,170
4212950	24ACB748A**30	CNPH*4821A**	OVLAA060154	48,500	13.0	16.7	1,445	1,170
3636978	24ACB748A**30	CNPH*4821A**+TDR		47,000	12.1	14.5	1,400	1,120
3636484	24ACB748A**30	CNPH*6024A**	58CV(A,X)135 – 22	48,500	13.0	16.5	1,355	1,010
3636504	24ACB748A**30	CNPH*6024A**	58CV(A,X)155 – 22	48,500	13.2	16.5	1,365	1,015
3636554	24ACB748A**30	CNPH*6024A**	58HDV100 – – 20	48,500	12.6	16.0	1,440	1,135
3636632	24ACB748A**30	CNPH*6024A**	58ME(B,C)080 – 16	48,500	12.6	16.0	1,455	1,130
3636644	24ACB748A**30	CNPH*6024A**	58ME(B,C)100 – 20	48,500	12.9	16.5	1,425	1,085
3636660	24ACB748A**30	CNPH*6024A**	58ME(B,C)120 – 20	49,000	13.0	16.5	1,440	1,275
3636715	24ACB748A**30	CNPH*6024A**	58MV(B,C)080 – 20	48,000	12.7	16.0	1,310	1,010
3636744	24ACB748A**30	CNPH*6024A**	58MV(B,C)100 – 20	48,500	12.6	16.0	1,395	1,040
3636766	24ACB748A**30	CNPH*6024A**	58MV(B,C)120 – 20	48,500	12.8	16.5	1,360	1,010
3636829	24ACB748A**30	CNPH*6024A**	58PH*110 – 20	48,500	13.1	16.5	1,395	1,145
3636845	24ACB748A**30	CNPH*6024A**	58PH*135 – 20	48,500	12.9	16.0	1,420	1,255
4739462	24ACB748A**30	CNPH*6024A**	59*N*A100V21**20	48,500	13.0	16.0	1,315	1,140
4739463	24ACB748A**30	CNPH*6024A**	59*N*A120V24**22	48,500	13.0	16.5	1,290	1,130
4739492	24ACB748A**30	CNPH*6024A**	59*P5A080E17**16	48,500	12.6	16.0	1,390	1,075
4739493	24ACB748A**30	CNPH*6024A**	59*P5A100E21**16	49,000	13.0	16.0	1,395	1,210
4739494	24ACB748A**30	CNPH*6024A**	59*P5A120E24**22	49,000	13.0	16.2	1,425	1,305
4212951	24ACB748A**30	CNPH*6024A**	OVLAA048112	49,000	12.5	16.2	1,450	1,170
4212952	24ACB748A**30	CNPH*6024A**	OVLAA060154	49,500	13.2	17.0	1,445	1,170
3636979	24ACB748A**30	CNPH*6024A**+TDR		48,000	12.2	14.5	1,400	1,120
3636464	24ACB748A**30	CNPH*6124A**	58CV(A,X)110 – 20	50,000	13.5	17.0	1,355	1,020
3636485	24ACB748A**30	CNPH*6124A**	58CV(A,X)135 – 22	50,500	13.6	17.0	1,355	1,010
3636506	24ACB748A**30	CNPH*6124A**	58CV(A,X)155 – 22	48,000	13.5	17.0	1,365	1,175
3636555	24ACB748A**30	CNPH*6124A**	58HDV100 – – 20	49,000	12.7	16.0	1,420	1,115
3636633	24ACB748A**30	CNPH*6124A**	58ME(B,C)080 – 16	49,000	12.6	17.0	1,445	1,010
3636645	24ACB748A**30	CNPH*6124A**	58ME(B,C)100 – 20	49,000	13.0	17.0	1,400	1,060
3636661	24ACB748A**30	CNPH*6124A**	58ME(B,C)120 – 20	49,000	13.1	17.0	1,420	1,250
3636717	24ACB748A**30	CNPH*6124A**	58MV(B,C)080 – 20	48,000	13.0	16.5	1,310	1,010
3636768	24ACB748A**30	CNPH*6124A**	58MV(B,C)120 – 20	50,000	13.4	17.0	1,360	1,010
3636818	24ACB748A**30	CNPH*6124A**	58PH*090 – 16	49,000	12.8	17.0	1,410	1,095
3636830	24ACB748A**30	CNPH*6124A**	58PH*110 – 20	49,000	13.1	17.0	1,370	1,120
3636846	24ACB748A**30	CNPH*6124A**	58PH*135 – 20	49,000	12.9	16.0	1,390	1,220
4739464	24ACB748A**30	CNPH*6124A**	59*N*A100V21**20	49,000	13.2	16.0	1,315	1,140
4739465	24ACB748A**30	CNPH*6124A**	59*N*A120V24**22	49,000	13.4	16.2	1,290	1,130
4739495	24ACB748A**30	CNPH*6124A**	59*P5A080E17**16	49,000	12.8	16.0	1,375	1,060
4739496	24ACB748A**30	CNPH*6124A**	59*P5A100E21**16	49,000	13.0	16.0	1,375	1,190
4739497	24ACB748A**30	CNPH*6124A**	59*P5A120E24**22	49,500	13.3	16.2	1,400	1,275
4212953	24ACB748A**30	CNPH*6124A**	OVLAA048112	49,000	12.5	16.0	1,450	1,170
4212954	24ACB748A**30	CNPH*6124A**	OVLAA060154	49,500	13.2	17.0	1,445	1,170
3636459	24ACB748A**30	CNPV*4821A**	58CV(A,X)110 – 20	47,500	12.6	16.0	1,355	1,020
3636630	24ACB748A**30	CNPV*4821A**	58ME(B,C)080 – 16	47,500	12.4	16.0	1,450	1,120
3636639	24ACB748A**30	CNPV*4821A**	58ME(B,C)100 – 20	48,000	12.7	16.5	1,410	1,070
3636722	24ACB748A**30	CNPV*4821A**	58MV(B,C)080 – 20	47,000	12.4	16.0	1,310	1,010

See notes on page 25

24ACB7

# COMBINATION RATINGS CONTINUED

AHRI Ref. Number	Model Number	Indoor Coil Model Number	Furnace Model Number	AHRI Standard Ratings – Cooling				
				Cooling Capacity	EER	SEER	ID CFM	
							High	Low
3636751	24ACB748A**30	CNPV*4821A**	58MV(B,C)100–20	47,500	12.4	16.0	1,395	1,040
3636819	24ACB748A**30	CNPV*4821A**	58PH*090–16	47,000	12.6	16.0	1,420	1,105
3636824	24ACB748A**30	CNPV*4821A**	58PH*110–20	47,500	12.8	16.0	1,380	1,130
3637025	24ACB748A**30	CNPV*4821A**	58UVB080–20	47,000	12.4	16.0	1,310	1,010
3637041	24ACB748A**30	CNPV*4821A**	58UVB100–20	47,500	12.4	16.0	1,395	1,040
3636875	24ACB748A**30	CNPV*4821A**	58VLR120–20	47,000	12.3	15.5	1,350	1,170
3636906	24ACB748A**30	CNPV*4821A**	58VMR120–20	47,000	12.2	15.5	1,355	1,155
4739453	24ACB748A**30	CNPV*4821A**	59*N*A100V21**20	47,500	13.0	16.0	1,315	1,140
4739482	24ACB748A**30	CNPV*4821A**	59*P5A080E17**16	47,500	12.4	16.0	1,380	1,000
4739483	24ACB748A**30	CNPV*4821A**	59*P5A100E21**16	48,000	12.5	15.7	1,385	1,200
4212942	24ACB748A**30	CNPV*4821A**	OVLAAB048112	48,000	12.2	15.7	1,450	1,170
3636974	24ACB748A**30	CNPV*4821A**+TDR		47,000	12.1	14.5	1,400	1,120
3636460	24ACB748A**30	CNPV*4824A**	58CV(A,X)110–20	47,500	12.6	16.0	1,355	1,020
3636481	24ACB748A**30	CNPV*4824A**	58CV(A,X)135–22	47,500	12.8	16.5	1,355	1,010
3636501	24ACB748A**30	CNPV*4824A**	58CV(A,X)155–22	47,500	12.9	16.5	1,365	1,015
4149564	24ACB748A**30	CNPV*4824A**	58HDV080–20	48,000	12.3	16.0	1,495	1,185
3688503	24ACB748A**30	CNPV*4824A**	58HDV080–20(DNFLW ONLY)	48,000	12.3	16.0	1,495	1,185
4149561	24ACB748A**30	CNPV*4824A**	58HDV100–20	47,500	12.4	16.0	1,430	1,125
3688500	24ACB748A**30	CNPV*4824A**	58HDV100–20(DNFLW ONLY)	47,500	12.4	16.0	1,430	1,125
3636640	24ACB748A**30	CNPV*4824A**	58ME(B,C)100–20	48,000	12.7	16.5	1,410	1,070
3636655	24ACB748A**30	CNPV*4824A**	58ME(B,C)120–20	48,000	12.8	16.0	1,425	1,265
3636772	24ACB748A**30	CNPV*4824A**	58MV(B,C)120–20	47,000	12.7	16.0	1,360	1,175
3636825	24ACB748A**30	CNPV*4824A**	58PH*110–20	48,000	12.8	16.0	1,380	1,130
3636842	24ACB748A**30	CNPV*4824A**	58PH*135–20	47,500	12.7	16.0	1,400	1,235
3637053	24ACB748A**30	CNPV*4824A**	58UVB120–20	47,000	12.7	16.0	1,360	1,175
3636876	24ACB748A**30	CNPV*4824A**	58VLR120–20	47,000	12.3	15.5	1,350	1,170
3636907	24ACB748A**30	CNPV*4824A**	58VMR120–20	47,000	12.1	15.5	1,355	1,155
4739454	24ACB748A**30	CNPV*4824A**	59*N*A100V21**20	47,500	13.0	16.0	1,315	1,140
4739455	24ACB748A**30	CNPV*4824A**	59*N*A120V24**22	47,500	13.0	16.2	1,290	1,130
4739484	24ACB748A**30	CNPV*4824A**	59*P5A100E21**16	48,000	12.5	15.7	1,385	1,200
4739485	24ACB748A**30	CNPV*4824A**	59*P5A120E24**22	48,500	13.0	16.0	1,415	1,290
4212943	24ACB748A**30	CNPV*4824A**	OVLAAB048112	48,000	12.2	15.7	1,450	1,170
4212944	24ACB748A**30	CNPV*4824A**	OVLAAB060154	48,500	13.0	16.7	1,445	1,170
3636975	24ACB748A**30	CNPV*4824A**+TDR		47,000	12.1	14.5	1,400	1,120
3636461	24ACB748A**30	CNPV*6024A**	58CV(A,X)110–20	48,500	12.9	16.5	1,355	1,020
3636482	24ACB748A**30	CNPV*6024A**	58CV(A,X)135–22	48,500	13.0	16.5	1,355	1,010
3636502	24ACB748A**30	CNPV*6024A**	58CV(A,X)155–22	48,500	13.2	17.0	1,365	1,015
4149562	24ACB748A**30	CNPV*6024A**	58HDV100–20	48,500	12.6	16.0	1,440	1,135
3688501	24ACB748A**30	CNPV*6024A**	58HDV100–20(DNFLW ONLY)	48,500	12.6	16.0	1,440	1,135
3636641	24ACB748A**30	CNPV*6024A**	58ME(B,C)100–20	48,500	12.9	16.5	1,425	1,085
3636658	24ACB748A**30	CNPV*6024A**	58ME(B,C)120–20	49,000	13.1	16.5	1,440	1,275
3636725	24ACB748A**30	CNPV*6024A**	58MV(B,C)080–20	48,000	12.6	16.0	1,310	1,010
3636753	24ACB748A**30	CNPV*6024A**	58MV(B,C)100–20	48,500	12.6	16.0	1,395	1,040
3636773	24ACB748A**30	CNPV*6024A**	58MV(B,C)120–20	48,500	12.8	16.5	1,360	1,010
3636826	24ACB748A**30	CNPV*6024A**	58PH*110–20	48,500	13.1	16.5	1,395	1,145
3636843	24ACB748A**30	CNPV*6024A**	58PH*135–20	48,500	12.9	16.0	1,420	1,255
3637027	24ACB748A**30	CNPV*6024A**	58UVB080–20	48,000	12.6	16.0	1,310	1,010
3637043	24ACB748A**30	CNPV*6024A**	58UVB100–20	48,500	12.6	16.0	1,395	1,040
3637054	24ACB748A**30	CNPV*6024A**	58UVB120–20	48,500	12.8	16.5	1,360	1,010
3636877	24ACB748A**30	CNPV*6024A**	58VLR120–20	48,000	12.6	16.0	1,350	1,170
3636908	24ACB748A**30	CNPV*6024A**	58VMR120–20	48,000	12.5	16.0	1,355	1,155
4739456	24ACB748A**30	CNPV*6024A**	59*N*A100V21**20	48,500	13.0	16.0	1,315	1,140
4739457	24ACB748A**30	CNPV*6024A**	59*N*A120V24**22	48,500	13.0	16.0	1,290	1,130
4739486	24ACB748A**30	CNPV*6024A**	59*P5A100E21**16	49,000	13.0	16.0	1,395	1,210
4739487	24ACB748A**30	CNPV*6024A**	59*P5A120E24**22	49,000	13.1	16.2	1,425	1,305
4212945	24ACB748A**30	CNPV*6024A**	OVLAAB048112	49,000	12.5	16.2	1,450	1,170
4212946	24ACB748A**30	CNPV*6024A**	OVLAAB060154	49,500	13.2	17.0	1,445	1,170
3636976	24ACB748A**30	CNPV*6024A**+TDR		48,000	12.2	14.5	1,400	1,120
3636462	24ACB748A**30	CNPV*6124A**	58CV(A,X)110–20	50,500	13.7	17.0	1,355	1,020
3636483	24ACB748A**30	CNPV*6124A**	58CV(A,X)135–22	50,500	13.8	17.0	1,355	1,010
3636503	24ACB748A**30	CNPV*6124A**	58CV(A,X)155–22	51,000	13.8	17.0	1,365	1,015
4149563	24ACB748A**30	CNPV*6124A**	58HDV100–20	49,500	12.8	16.5	1,445	1,145
3688502	24ACB748A**30	CNPV*6124A**	58HDV100–20(DNFLW ONLY)	49,500	12.8	16.5	1,445	1,145
3636642	24ACB748A**30	CNPV*6124A**	58ME(B,C)100–20	49,500	13.1	17.0	1,430	1,095
3636659	24ACB748A**30	CNPV*6124A**	58ME(B,C)120–20	49,500	13.2	17.0	1,445	1,285
3636727	24ACB748A**30	CNPV*6124A**	58MV(B,C)080–20	48,000	13.0	16.5	1,310	1,200
4679720	24ACB748A**30	CNPV*6124A**	58MV(B,C)100–20	49,500	13.0	16.5	1,395	1,145
3636775	24ACB748A**30	CNPV*6124A**	58MV(B,C)120–20	50,500	13.6	17.0	1,360	1,010
3636817	24ACB748A**30	CNPV*6124A**	58PH*090–16	49,500	13.0	16.5	1,435	1,125
3636827	24ACB748A**30	CNPV*6124A**	58PH*110–20	49,500	13.2	16.5	1,400	1,160
3636844	24ACB748A**30	CNPV*6124A**	58PH*135–20	49,500	13.1	16.5	1,425	1,265

See notes on page 25

# COMBINATION RATINGS CONTINUED

AHRI Ref. Number	Model Number	Indoor Coil Model Number	Furnace Model Number	AHRI Standard Ratings – Cooling				
				Cooling Capacity	EER	SEER	ID CFM	
							High	Low
3637029	24ACB748A**30	CNPV*6124A**	58UVB080–20	48,000	13.0	16.5	1,310	1,200
4673741	24ACB748A**30	CNPV*6124A**	58UVB100–20	48,500	13.0	16.5	1,395	1,040
3637056	24ACB748A**30	CNPV*6124A**	58UVB120–20	50,500	13.6	17.0	1,360	1,010
3636878	24ACB748A**30	CNPV*6124A**	58VLR120–20	48,000	13.5	16.5	1,350	1,170
3636909	24ACB748A**30	CNPV*6124A**	58VMR120–20	48,000	13.2	16.5	1,355	1,155
4739458	24ACB748A**30	CNPV*6124A**	59*N*A100V21**20	49,000	13.4	16.2	1,315	1,140
4739459	24ACB748A**30	CNPV*6124A**	59*N*A120V24**22	49,000	13.6	16.7	1,290	1,130
4739488	24ACB748A**30	CNPV*6124A**	59*P5A100E21**16	49,500	13.0	16.2	1,400	1,215
4739489	24ACB748A**30	CNPV*6124A**	59*P5A120E24**22	50,000	13.5	16.7	1,435	1,315
4212947	24ACB748A**30	CNPV*6124A**	OVLAAB048112	49,500	12.7	16.2	1,450	1,170
4212948	24ACB748A**30	CNPV*6124A**	OVLAAB060154	50,000	13.5	17.2	1,445	1,170
3636977	24ACB748A**30	CNPV*6124A**+TDR		48,500	12.4	15.0	1,400	1,120
3636443	24ACB748A**30	CSPH*4812A**	58CV(A,X)090–16	47,500	12.5	16.0	1,345	1,005
3636465	24ACB748A**30	CSPH*4812A**	58CV(A,X)110–20	47,500	12.6	16.0	1,355	1,020
3636486	24ACB748A**30	CSPH*4812A**	58CV(A,X)135–22	48,000	12.8	16.0	1,355	1,010
3636543	24ACB748A**30	CSPH*4812A**	58HDV080–20	48,000	12.3	16.0	1,465	1,160
3636556	24ACB748A**30	CSPH*4812A**	58HDV100–20	48,000	12.5	16.0	1,400	1,100
3636634	24ACB748A**30	CSPH*4812A**	58ME(B,C)080–16	48,000	12.4	16.0	1,425	1,100
3636646	24ACB748A**30	CSPH*4812A**	58ME(B,C)100–20	48,000	12.8	16.5	1,380	1,045
3636662	24ACB748A**30	CSPH*4812A**	58ME(B,C)120–20	48,000	12.9	16.0	1,395	1,230
3636815	24ACB748A**30	CSPH*4812A**	58PH*090–16	48,000	12.6	16.0	1,390	1,080
3636832	24ACB748A**30	CSPH*4812A**	58PH*110–20	48,000	12.9	16.5	1,340	1,105
3636847	24ACB748A**30	CSPH*4812A**	58PH*135–20	48,000	12.7	16.0	1,360	1,200
3636910	24ACB748A**30	CSPH*4812A**	58VMR120–20	47,000	12.2	15.5	1,355	1,155
4739466	24ACB748A**30	CSPH*4812A**	59*N*A100V21**20	48,000	13.0	16.0	1,315	1,140
4739467	24ACB748A**30	CSPH*4812A**	59*N*A120V24**22	48,000	13.0	16.2	1,290	1,130
4739498	24ACB748A**30	CSPH*4812A**	59*P5A080E17**16	48,000	12.4	15.7	1,360	1,050
4739499	24ACB748A**30	CSPH*4812A**	59*P5A100E21**16	48,000	12.7	15.7	1,355	1,175
4739500	24ACB748A**30	CSPH*4812A**	59*P5A120E24**22	48,500	13.0	16.0	1,375	1,255
4212955	24ACB748A**30	CSPH*4812A**	OVLAAB048112	48,500	12.2	15.7	1,450	1,170
4212956	24ACB748A**30	CSPH*4812A**	OVLAAB060154	49,000	13.0	16.7	1,445	1,170
3636980	24ACB748A**30	CSPH*4812A**+TDR		47,500	12.2	14.5	1,400	1,120
3636444	24ACB748A**30	CSPH*6012A**	58CV(A,X)090–16	48,500	12.8	16.5	1,345	1,005
3636466	24ACB748A**30	CSPH*6012A**	58CV(A,X)110–20	48,500	12.9	16.5	1,355	1,020
3636487	24ACB748A**30	CSPH*6012A**	58CV(A,X)135–22	48,500	13.1	16.5	1,355	1,010
3636505	24ACB748A**30	CSPH*6012A**	58CV(A,X)155–22	49,000	13.2	17.0	1,365	1,015
3636544	24ACB748A**30	CSPH*6012A**	58HDV080–20	49,000	12.6	16.0	1,510	1,190
3636557	24ACB748A**30	CSPH*6012A**	58HDV100–20	49,000	12.7	16.5	1,440	1,130
3636635	24ACB748A**30	CSPH*6012A**	58ME(B,C)080–16	49,000	12.6	16.0	1,460	1,125
3636647	24ACB748A**30	CSPH*6012A**	58ME(B,C)100–20	49,000	13.0	16.5	1,425	1,075
3636663	24ACB748A**30	CSPH*6012A**	58ME(B,C)120–20	49,000	13.1	16.5	1,440	1,270
3636732	24ACB748A**30	CSPH*6012A**	58MV(B,C)080–20	48,000	12.7	16.0	1,310	1,010
3636759	24ACB748A**30	CSPH*6012A**	58MV(B,C)100–20	48,500	12.6	16.0	1,395	1,040
3636780	24ACB748A**30	CSPH*6012A**	58MV(B,C)120–20	48,500	12.9	16.5	1,360	1,010
3636816	24ACB748A**30	CSPH*6012A**	58PH*090–16	49,000	12.9	16.5	1,430	1,110
3636833	24ACB748A**30	CSPH*6012A**	58PH*110–20	49,000	13.1	16.5	1,395	1,135
3636848	24ACB748A**30	CSPH*6012A**	58PH*135–20	49,000	13.0	16.5	1,420	1,250
3636911	24ACB748A**30	CSPH*6012A**	58VMR120–20	48,000	12.8	16.0	1,355	1,155
4739468	24ACB748A**30	CSPH*6012A**	59*N*A100V21**20	49,000	13.0	16.0	1,315	1,140
4739469	24ACB748A**30	CSPH*6012A**	59*N*A120V24**22	49,000	13.0	16.5	1,290	1,130
4739501	24ACB748A**30	CSPH*6012A**	59*P5A080E17**16	49,000	12.6	16.0	1,390	1,070
4739502	24ACB748A**30	CSPH*6012A**	59*P5A100E21**16	49,000	13.0	16.2	1,395	1,205
4739503	24ACB748A**30	CSPH*6012A**	59*P5A120E24**22	49,500	13.1	16.5	1,430	1,300
4212957	24ACB748A**30	CSPH*6012A**	OVLAAB048112	49,000	12.7	16.2	1,450	1,170
4212958	24ACB748A**30	CSPH*6012A**	OVLAAB060154	49,500	13.2	17.0	1,445	1,170
3636981	24ACB748A**30	CSPH*6012A**+TDR		48,500	12.3	15.0	1,400	1,120
3636982	24ACB748A**30	FV4CN(B,F)005		48,500	13.1	16.5	1,400	1,120
3636983	24ACB748A**30	FV4CNB006		49,500	13.4	17.0	1,400	1,120
3636834	24ACB760A**30	†CNPV*6124A**	58PH*110–20	59,000	13.0	16.5	1,675	1,245
3636467	24ACB760A**30	CAP**6021A**	58CV(A,X)110–20	58,500	12.7	16.0	1,695	1,355
3636648	24ACB760A**30	CAP**6021A**	58ME(B,C)100–20	58,000	12.9	16.0	1,620	1,255
3636710	24ACB760A**30	CAP**6021A**	58MV(B,C)080–20	58,000	12.0	15.5	1,730	1,310
3636739	24ACB760A**30	CAP**6021A**	58MV(B,C)100–20	58,000	12.3	15.5	1,660	1,395
3636835	24ACB760A**30	CAP**6021A**	58PH*110–20	58,500	13.0	16.5	1,670	1,250
3637021	24ACB760A**30	CAP**6021A**	58UVB080–20	58,000	12.0	15.5	1,730	1,310
3637037	24ACB760A**30	CAP**6021A**	58UVB100–20	58,000	12.3	15.5	1,660	1,395
3636879	24ACB760A**30	CAP**6021A**	58VLR120–20	58,500	12.5	16.0	1,735	1,350
3636912	24ACB760A**30	CAP**6021A**	58VMR120–20	57,500	12.0	15.5	1,740	1,355
4739504	24ACB760A**30	CAP**6021A**	59*N*A100V21**20	57,000	12.3	15.5	1,640	1,315
3636986	24ACB760A**30	CAP**6021A**+TDR		58,500	12.6	15.0	1,750	1,400

See notes on page 25

24ACB7

# COMBINATION RATINGS CONTINUED

AHRI Ref. Number	Model Number	Indoor Coil Model Number	Furnace Model Number	AHRI Standard Ratings – Cooling				
				Cooling Capacity	EER	SEER	ID CFM	
							High	Low
3636488	24ACB760A**30	CAP**6024A**	58CV(A,X)135–22	58,500	13.0	16.0	1,685	1,355
3636507	24ACB760A**30	CAP**6024A**	58CV(A,X)155–22	59,000	13.1	16.5	1,705	1,365
3636560	24ACB760A**30	CAP**6024A**	58HDV100– –20	58,500	12.4	15.5	1,775	1,415
3636649	24ACB760A**30	CAP**6024A**	58ME(B,C)100–20	58,500	12.9	16.0	1,630	1,260
3636665	24ACB760A**30	CAP**6024A**	58ME(B,C)120–20	58,500	13.1	16.5	1,640	1,280
3636765	24ACB760A**30	CAP**6024A**	58MV(B,C)120–20	58,000	12.6	15.5	1,680	1,360
3636849	24ACB760A**30	CAP**6024A**	58PH*135–20	58,500	12.9	16.0	1,650	1,260
3637050	24ACB760A**30	CAP**6024A**	58UVB120–20	58,000	12.6	15.5	1,680	1,360
3636880	24ACB760A**30	CAP**6024A**	58VLR120–20	58,000	12.7	16.0	1,735	1,350
3636913	24ACB760A**30	CAP**6024A**	58VMR120–20	58,000	12.2	15.5	1,740	1,355
4739505	24ACB760A**30	CAP**6024A**	59*N*A100V21**20	57,000	12.0	15.2	1,640	1,315
4739506	24ACB760A**30	CAP**6024A**	59*N*A120V24**22	57,000	12.6	15.5	1,650	1,290
4739519	24ACB760A**30	CAP**6024A**	59*P5A120E24**22	58,000	12.8	16.0	1,640	1,310
4212960	24ACB760A**30	CAP**6024A**	OVLAAB060154	58,000	11.5	15.2	2,110	1,675
3636987	24ACB760A**30	CAP**6024A**+TDR		58,500	12.6	15.0	1,750	1,400
3636547	24ACB760A**30	CAP**6025A**	58HDV080– –20	56,500	11.6	15.5	1,845	1,445
3636564	24ACB760A**30	CAP**6025A**	58HDV100– –20	56,500	11.8	15.5	1,775	1,415
4739507	24ACB760A**30	CAP**6025A**	59*N*A100V21**20	57,000	12.0	15.2	1,640	1,315
4739508	24ACB760A**30	CAP**6025A**	59*N*A120V24**22	57,500	12.2	15.5	1,650	1,290
4739520	24ACB760A**30	CAP**6025A**	59*P5A120E24**22	57,000	12.5	15.7	1,640	1,310
4212961	24ACB760A**30	CAP**6025A**	OVLAAB060154	58,000	11.5	15.2	2,110	1,675
3636994	24ACB760A**30	CAP**6025A**+TDR		56,500	12.0	14.5	1,750	1,400
3636468	24ACB760A**30	CNPH*6024A**	58CV(A,X)110–20	58,500	12.8	16.0	1,695	1,355
3636491	24ACB760A**30	CNPH*6024A**	58CV(A,X)135–22	58,500	13.0	16.0	1,685	1,355
3636510	24ACB760A**30	CNPH*6024A**	58CV(A,X)155–22	58,500	13.1	16.5	1,705	1,365
3636652	24ACB760A**30	CNPH*6024A**	58ME(B,C)100–20	58,000	13.0	16.5	1,645	1,275
3636668	24ACB760A**30	CNPH*6024A**	58ME(B,C)120–20	58,500	13.1	16.5	1,655	1,290
3636716	24ACB760A**30	CNPH*6024A**	58MV(B,C)080–20	57,000	12.0	16.0	1,730	1,200
3636745	24ACB760A**30	CNPH*6024A**	58MV(B,C)100–20	57,500	12.3	15.5	1,660	1,395
3636767	24ACB760A**30	CNPH*6024A**	58MV(B,C)120–20	58,000	12.6	16.0	1,680	1,360
3636836	24ACB760A**30	CNPH*6024A**	58PH*110–20	58,500	13.0	16.5	1,700	1,275
3636852	24ACB760A**30	CNPH*6024A**	58PH*135–20	58,500	12.9	16.0	1,670	1,280
4739513	24ACB760A**30	CNPH*6024A**	59*N*A100V21**20	56,500	12.3	15.5	1,640	1,315
4739514	24ACB760A**30	CNPH*6024A**	59*N*A120V24**22	57,000	12.6	16.0	1,650	1,290
4739523	24ACB760A**30	CNPH*6024A**	59*P5A120E24**22	58,000	12.8	16.0	1,655	1,325
4212964	24ACB760A**30	CNPH*6024A**	OVLAAB060154	58,000	11.5	15.2	2,110	1,675
3636990	24ACB760A**30	CNPH*6024A**+TDR		58,500	12.6	15.0	1,750	1,400
3636469	24ACB760A**30	CNPH*6124A**	58CV(A,X)110–20	58,500	12.8	16.0	1,695	1,355
3636492	24ACB760A**30	CNPH*6124A**	58CV(A,X)135–22	59,000	13.0	16.0	1,685	1,355
3636511	24ACB760A**30	CNPH*6124A**	58CV(A,X)155–22	59,000	13.2	16.5	1,705	1,365
3636563	24ACB760A**30	CNPH*6124A**	58HDV100– –20	58,500	12.4	15.5	1,765	1,410
3636653	24ACB760A**30	CNPH*6124A**	58ME(B,C)100–20	58,500	13.0	16.5	1,625	1,255
3636669	24ACB760A**30	CNPH*6124A**	58ME(B,C)120–20	58,500	13.1	16.5	1,630	1,270
3636718	24ACB760A**30	CNPH*6124A**	58MV(B,C)080–20	57,000	12.0	15.5	1,730	1,200
3636747	24ACB760A**30	CNPH*6124A**	58MV(B,C)100–20	58,000	12.3	15.5	1,660	1,395
3636769	24ACB760A**30	CNPH*6124A**	58MV(B,C)120–20	58,500	12.6	15.5	1,680	1,360
3636853	24ACB760A**30	CNPH*6124A**	58PH*135–20	58,500	12.9	16.0	1,640	1,245
4739515	24ACB760A**30	CNPH*6124A**	59*N*A100V21**20	57,000	12.3	15.5	1,640	1,315
4739516	24ACB760A**30	CNPH*6124A**	59*N*A120V24**22	57,500	12.6	15.5	1,650	1,290
4739524	24ACB760A**30	CNPH*6124A**	59*P5A120E24**22	58,500	12.8	16.0	1,630	1,300
4212965	24ACB760A**30	CNPH*6124A**	OVLAAB060154	58,500	11.5	15.2	2,110	1,675
3636991	24ACB760A**30	CNPH*6124A**+TDR		59,000	12.7	15.0	1,750	1,400
3636472	24ACB760A**30	CNPV*6024A**	58CV(A,X)110–20	58,500	12.8	16.0	1,695	1,355
3636489	24ACB760A**30	CNPV*6024A**	58CV(A,X)135–22	58,500	13.0	16.0	1,685	1,355
3636508	24ACB760A**30	CNPV*6024A**	58CV(A,X)155–22	58,500	13.1	16.5	1,705	1,365
4149565	24ACB760A**30	CNPV*6024A**	58HDV100– –20	58,500	12.4	15.5	1,785	1,425
3688504	24ACB760A**30	CNPV*6024A**	58HDV100– –20(DNFLW ONLY)	58,500	12.4	15.5	1,785	1,425
3636650	24ACB760A**30	CNPV*6024A**	58ME(B,C)100–20	58,000	13.0	16.5	1,645	1,275
3636666	24ACB760A**30	CNPV*6024A**	58ME(B,C)120–20	58,500	13.1	16.5	1,655	1,290
3636726	24ACB760A**30	CNPV*6024A**	58MV(B,C)080–20	57,000	12.0	16.0	1,730	1,200
3636754	24ACB760A**30	CNPV*6024A**	58MV(B,C)100–20	57,500	12.3	15.5	1,660	1,395
3636774	24ACB760A**30	CNPV*6024A**	58MV(B,C)120–20	58,000	12.6	16.0	1,680	1,360
3636839	24ACB760A**30	CNPV*6024A**	58PH*110–20	58,500	13.0	16.0	1,700	1,425
3636850	24ACB760A**30	CNPV*6024A**	58PH*135–20	58,500	12.9	16.0	1,670	1,280
3637028	24ACB760A**30	CNPV*6024A**	58UVB080–20	57,000	12.0	16.0	1,730	1,200
3637044	24ACB760A**30	CNPV*6024A**	58UVB100–20	57,500	12.3	15.5	1,660	1,395
3637055	24ACB760A**30	CNPV*6024A**	58UVB120–20	58,000	12.6	16.0	1,680	1,360
3636881	24ACB760A**30	CNPV*6024A**	58VLR120–20	58,500	12.7	16.0	1,735	1,350
3636914	24ACB760A**30	CNPV*6024A**	58VMR120–20	57,500	12.2	15.5	1,740	1,355
4739509	24ACB760A**30	CNPV*6024A**	59*N*A100V21**20	56,500	12.3	15.5	1,640	1,315
4739510	24ACB760A**30	CNPV*6024A**	59*N*A120V24**22	57,000	12.6	16.0	1,650	1,290

See notes on page 25



# COMBINATION RATINGS CONTINUED

AHRI Ref. Number	Model Number	Indoor Coil Model Number	Furnace Model Number	AHRI Standard Ratings – Cooling				
				Cooling Capacity	EER	SEER	ID CFM	
							High	Low
4739521	24ACB760A**30	CNPV*6024A**	59*P5A120E24**22	58,000	12.8	16.0	1,655	1,325
4212962	24ACB760A**30	CNPV*6024A**	OVLAAB060154	58,000	11.5	15.2	2,110	1,675
3636988	24ACB760A**30	CNPV*6024A**+TDR		58,500	12.6	15.0	1,750	1,400
3636471	24ACB760A**30	CNPV*6124A**	58CV(A,X)110–20	59,000	13.0	16.0	1,695	1,355
3636490	24ACB760A**30	CNPV*6124A**	58CV(A,X)135–22	59,500	13.2	16.5	1,685	1,355
3636509	24ACB760A**30	CNPV*6124A**	58CV(A,X)155–22	59,500	13.3	16.5	1,705	1,365
4149566	24ACB760A**30	CNPV*6124A**	58HDV100–20	59,000	12.6	16.0	1,790	1,430
3688505	24ACB760A**30	CNPV*6124A**	58HDV100–20(DNFLW ONLY)	59,000	12.6	16.0	1,790	1,430
3636651	24ACB760A**30	CNPV*6124A**	58ME(B,C)100–20	59,000	13.1	16.5	1,650	1,285
3636667	24ACB760A**30	CNPV*6124A**	58ME(B,C)120–20	59,500	13.3	16.5	1,660	1,300
3636728	24ACB760A**30	CNPV*6124A**	58MV(B,C)080–20	58,000	12.0	16.0	1,730	1,200
3636755	24ACB760A**30	CNPV*6124A**	58MV(B,C)100–20	58,500	12.5	15.5	1,660	1,395
3636776	24ACB760A**30	CNPV*6124A**	58MV(B,C)120–20	59,000	12.8	16.0	1,680	1,360
3636838	24ACB760A**30	CNPV*6124A**	58PH*110–20	59,500	13.2	16.5	1,710	1,435
3636851	24ACB760A**30	CNPV*6124A**	58PH*135–20	59,000	13.1	16.5	1,675	1,290
3637030	24ACB760A**30	CNPV*6124A**	58UVB080–20	58,000	12.0	16.0	1,730	1,200
3637045	24ACB760A**30	CNPV*6124A**	58UVB100–20	58,500	12.5	15.5	1,660	1,395
3637057	24ACB760A**30	CNPV*6124A**	58UVB120–20	59,000	12.8	16.0	1,680	1,360
3636882	24ACB760A**30	CNPV*6124A**	58VLR120–20	59,500	12.9	16.5	1,735	1,350
3636915	24ACB760A**30	CNPV*6124A**	58VMR120–20	59,000	12.5	16.0	1,740	1,355
4739511	24ACB760A**30	CNPV*6124A**	59*N*A100V21**20	57,500	12.5	15.5	1,640	1,315
4739512	24ACB760A**30	CNPV*6124A**	59*N*A120V24**22	58,000	13.0	16.0	1,650	1,290
4739522	24ACB760A**30	CNPV*6124A**	59*P5A120E24**22	59,000	12.9	16.4	1,660	1,335
4212963	24ACB760A**30	CNPV*6124A**	OVLAAB060154	59,000	11.7	15.5	2,110	1,675
3636989	24ACB760A**30	CNPV*6124A**+TDR		59,500	12.8	15.0	1,750	1,400
3636470	24ACB760A**30	CSPH*6012A**	58CV(A,X)110–20	58,500	12.9	16.0	1,695	1,355
3636493	24ACB760A**30	CSPH*6012A**	58CV(A,X)135–22	59,000	13.1	16.5	1,685	1,355
3636512	24ACB760A**30	CSPH*6012A**	58CV(A,X)155–22	59,000	13.2	16.5	1,705	1,365
3636654	24ACB760A**30	CSPH*6012A**	58ME(B,C)100–20	58,500	13.0	16.5	1,650	1,270
3636664	24ACB760A**30	CSPH*6012A**	58ME(B,C)120–20	59,000	13.2	16.5	1,660	1,290
3636733	24ACB760A**30	CSPH*6012A**	58MV(B,C)080–20	58,000	12.2	15.5	1,730	1,310
3636760	24ACB760A**30	CSPH*6012A**	58MV(B,C)100–20	58,000	12.4	15.5	1,660	1,395
3636781	24ACB760A**30	CSPH*6012A**	58MV(B,C)120–20	58,500	12.7	16.0	1,680	1,360
3636837	24ACB760A**30	CSPH*6012A**	58PH*110–20	59,000	13.1	16.5	1,710	1,270
3636854	24ACB760A**30	CSPH*6012A**	58PH*135–20	58,500	13.0	16.5	1,675	1,275
3636916	24ACB760A**30	CSPH*6012A**	58VMR120–20	58,500	12.4	16.0	1,740	1,355
4739517	24ACB760A**30	CSPH*6012A**	59*N*A100V21**20	57,000	12.4	15.5	1,640	1,315
4739518	24ACB760A**30	CSPH*6012A**	59*N*A120V24**22	57,500	12.7	16.0	1,650	1,290
4739525	24ACB760A**30	CSPH*6012A**	59*P5A120E24**22	58,500	12.9	16.2	1,665	1,325
4212966	24ACB760A**30	CSPH*6012A**	OVLAAB060154	58,500	11.7	15.2	2,110	1,675
3636992	24ACB760A**30	CSPH*6012A**+TDR		59,000	12.7	15.0	1,750	1,400
3636993	24ACB760A**30	FV4CNB006		59,500	13.4	17.0	1,750	1,400

\* Tested combination

**EER** — Energy Efficiency Ratio

**SEER** — Seasonal Energy Efficiency Ratio

**TDR** — Time–Delay Relay. In most cases, only 1 method should be used to achieve TDR function. Using more than 1 method in a system may cause degradation in performance. Use either the accessory Time–Delay Relay KAATD0101TDR or a furnace equipped with TDR. Most Carrier furnaces are equipped with TDR.

**NOTES:** 1. Ratings are net values reflecting the effects of circulating fan motor heat. Supplemental electric heat is not included.

2. Tested outdoor/indoor combinations have been tested in accordance with DOE test procedures for central air conditioners. Ratings for other combinations are determined under DOE computer simulation procedures.

3. Determine actual CFM values obtainable for your system by referring to fan performance data in fan coil or furnace coil literature.

4. Do not apply with capillary tube coils as performance and reliability are significantly affected.

24ACB7





DETAILED COOLING CAPACITIES# (CONTINUED)

24ACB724 Outdoor Section With CNPVP4217 Indoor Section

Cooling Indoor Model	High Speed Cap.	Power	Low Speed Cap.	Power	Furnace Model
CNPH*2417A**	0.95	0.98	0.93	0.95	59*N*A080V17**14
CNPH*3017A**	0.96	0.99	0.94	0.95	59*N*A080V17**14
CNPH*3117A**	0.96	0.99	0.95	0.95	59*N*A080V17**14
CNPH*3617A**	0.98	0.99	0.94	0.95	59*N*A080V17**14
CNVP*2417A**	0.95	1.00	0.93	0.95	59*N*A080V17**14
CNVP*3017A**	0.96	0.99	0.94	0.95	59*N*A080V17**14
CNVP*3117A**	0.96	0.99	0.95	0.95	59*N*A080V17**14
CNVP*3617A**	0.98	0.99	0.94	0.95	59*N*A080V17**14
CAP**3621A**	0.95	0.96	0.94	0.95	59*N*A080V17**14
CNPH*3717A**	0.98	0.98	0.95	0.94	59*N*A080V17**14
CSPH*2412A**	0.96	0.99	0.94	0.96	59*N*A080V17**14
CSPH*3012A**	0.97	1.00	0.94	0.95	59*N*A080V17**14
CSPH*3612A**	0.98	0.99	0.94	0.95	59*N*A080V17**14
CAP**3621A**	0.96	0.97	1.00	1.01	59*N*A100V21**20
CNPH*2417A**	0.97	1.02	1.00	1.04	59*N*A100V21**20
CNPH*3017A**	0.98	1.01	1.00	1.02	59*N*A100V21**20
CNPH*3117A**	0.98	1.01	1.03	1.02	59*N*A100V21**20
CNPH*3617A**	0.99	1.01	1.00	1.02	59*N*A100V21**20
CNVP*2417A**	0.98	0.99	1.00	1.02	59*N*A100V21**20
CNVP*3017A**	0.98	1.01	1.01	1.04	59*N*A100V21**20
CNVP*3117A**	0.98	1.02	1.02	1.04	59*N*A100V21**20
CNVP*3617A**	0.99	1.02	1.02	1.04	59*N*A100V21**20
CAP**3621A**	0.97	1.00	1.02	1.03	59*N*A120V24**22
CNPH*2417A**	0.98	1.01	1.00	1.01	59*N*A120V24**22
CNPH*3017A**	0.98	1.01	1.01	1.03	59*N*A120V24**22
CNPH*3117A**	0.98	1.01	1.03	1.02	59*N*A120V24**22
CNPH*3617A**	0.99	1.01	1.01	1.03	59*N*A120V24**22
CNVP*2417A**	0.98	1.01	1.01	1.01	59*N*A120V24**22
CNVP*3017A**	0.98	1.01	1.01	1.01	59*N*A120V24**22
CNVP*3117A**	0.98	1.01	1.01	1.01	59*N*A120V24**22
CNVP*3617A**	0.99	1.01	1.01	1.01	59*N*A120V24**22
CAP**3614A**	0.96	1.08	0.94	0.99	59*PSA040E14**10
CAP**3617A**	0.98	1.07	0.94	0.99	59*PSA040E14**10
CAP**3014A**	0.97	1.09	0.94	0.99	59*PSA040E14**10
CAP**3017A**	0.99	1.08	0.94	0.98	59*PSA040E14**10
CAP**3614A**	0.98	1.10	0.94	0.98	59*PSA040E14**10
CAP**3617A**	0.99	1.06	0.95	0.98	59*PSA040E14**10
CNPH*2417A**	0.98	1.08	0.94	0.99	59*PSA040E14**10
CNPH*3017A**	0.99	1.08	0.94	0.99	59*PSA040E14**10
CNPH*3117A**	0.99	1.09	0.97	0.98	59*PSA040E14**10
CNPH*3617A**	0.98	1.10	0.94	0.98	59*PSA040E14**10
CNVP*2414A**	0.96	1.08	0.94	0.99	59*PSA040E14**10
CNVP*2417A**	0.98	1.08	0.94	0.99	59*PSA040E14**10
CNVP*3014A**	0.97	1.09	0.94	0.99	59*PSA040E14**10
CNVP*3017A**	0.98	1.10	0.94	0.98	59*PSA040E14**10
CNVP*3117A**	0.98	1.09	0.96	0.98	59*PSA040E14**10
CNVP*3617A**	0.98	1.10	0.94	0.98	59*PSA040E14**10
CAP**3621A**	1.02	1.10	0.98	0.99	59*PSA040E14**10
CSPH*2412A**	0.98	1.08	0.94	0.99	59*PSA040E14**10
CSPH*3012A**	0.99	1.08	0.95	0.99	59*PSA040E14**10
CSPH*3612A**	1.01	1.08	0.96	0.99	59*PSA040E14**10
CAP**3621A**	0.98	0.99	0.99	1.01	59*PSA060E17**14
CAP**3017A**	0.98	0.99	0.99	1.01	59*PSA060E17**14
CAP**3619A**	0.98	1.03	1.00	1.01	59*PSA060E17**14
CAP**3621A**	0.99	0.99	1.00	1.01	59*PSA060E17**14
CNPH*2417A**	0.97	0.98	0.98	1.01	59*PSA060E17**14
CNPH*3017A**	0.98	0.99	0.99	1.01	59*PSA060E17**14
CNPH*3117A**	0.98	0.99	0.99	1.01	59*PSA060E17**14
CNPH*3617A**	0.98	0.99	0.99	1.01	59*PSA060E17**14
CNVP*2417A**	0.97	0.98	0.98	1.01	59*PSA060E17**14
CNVP*3017A**	0.98	0.99	0.99	1.01	59*PSA060E17**14

Cooling Indoor Model	High Speed Cap.	Power	Low Speed Cap.	Power	Furnace Model
CNVP*3117A**	1.01	1.00	1.02	1.01	59*PSA060E17**14
CNVP*3617A**	0.97	1.02	0.99	1.01	59*PSA060E17**14
CNVP*3621A**	0.98	0.99	0.99	1.01	59*PSA060E17**14
CNVP*3717A**	1.02	1.00	1.04	1.02	59*PSA060E17**14
CSPH*2412A**	0.98	1.00	0.99	1.02	59*PSA060E17**14
CSPH*3012A**	0.99	1.00	1.00	1.01	59*PSA060E17**14
CSPH*3612A**	1.01	1.00	1.02	1.02	59*PSA060E17**14
CAP**2417A**	0.98	1.04	0.94	0.95	OVLAB036098
CAP**3017A**	0.99	1.03	0.94	0.95	OVLAB036098
CAP**3617A**	1.00	1.04	0.95	0.95	OVLAB036098
CAP**3619A**	1.00	1.04	0.95	0.95	OVLAB036098
CAP**3621A**	1.00	1.04	0.95	0.95	OVLAB036098
CNPH*2417A**	0.98	1.06	0.95	0.97	OVLAB036098
CNPH*3017A**	1.00	1.04	0.95	0.95	OVLAB036098
CNPH*3117A**	1.02	1.03	0.97	0.95	OVLAB036098
CNPH*3617A**	1.00	1.04	0.95	0.95	OVLAB036098
CNVP*2417A**	0.98	1.06	0.95	0.97	OVLAB036098
CNVP*3017A**	1.00	1.04	0.95	0.95	OVLAB036098
CNVP*3117A**	1.02	1.03	0.97	0.96	OVLAB036098
CNVP*3617A**	1.00	1.04	0.95	0.95	OVLAB036098
CNVP*3621A**	1.00	1.04	0.95	0.95	OVLAB036098
CNVP*3717A**	1.03	1.03	0.98	0.95	OVLAB036098
CSPH*2412A**	0.99	1.07	0.96	0.97	OVLAB036098
CSPH*3012A**	1.00	1.04	0.96	0.96	OVLAB036098
CSPH*3612A**	1.02	1.03	0.96	0.95	OVLAB036098
CAP**2417A**	0.97	1.00	0.95	0.95	OVMAA036098
CAP**3017A**	0.98	1.01	0.95	0.95	OVMAA036098
CAP**3617A**	0.98	1.01	0.96	0.96	OVMAA036098
CAP**3619A**	0.98	1.01	0.96	0.96	OVMAA036098
CAP**3621A**	0.98	1.01	0.96	0.96	OVMAA036098
CNPH*2417A**	0.99	1.00	0.97	0.95	OVMAA036098
CNPH*3017A**	0.98	1.01	0.95	0.95	OVMAA036098
CNPH*3117A**	0.99	1.00	0.97	0.95	OVMAA036098
CNPH*3617A**	0.98	1.01	0.95	0.95	OVMAA036098
CNVP*2417A**	0.99	1.02	0.95	0.96	OVMAA036098
CNVP*3017A**	0.98	1.01	0.95	0.95	OVMAA036098
CNVP*3117A**	0.99	1.00	0.97	0.95	OVMAA036098
CNVP*3617A**	0.98	1.01	0.95	0.95	OVMAA036098
CSPH*2412A**	0.98	1.02	0.97	0.96	OVMAA036098
CSPH*3012A**	0.99	1.00	0.97	0.96	OVMAA036098
CSPH*3612A**	0.99	1.00	0.97	0.96	OVMAA036098
CAP**2417A**	0.97	0.98	0.96	0.96	OVMAA042112
CAP**3017A**	0.98	0.97	0.96	0.95	OVMAA042112
CAP**3619A**	0.98	0.97	0.96	0.95	OVMAA042112
CAP**3621A**	0.98	0.97	0.96	0.95	OVMAA042112
CNPH*2417A**	0.97	0.98	0.97	0.96	OVMAA042112
CNPH*3017A**	0.97	0.98	0.97	0.96	OVMAA042112
CNPH*3117A**	0.97	0.98	0.97	0.96	OVMAA042112
CNPH*3617A**	0.97	0.98	0.97	0.96	OVMAA042112
CNVP*2417A**	0.97	0.98	0.97	0.96	OVMAA042112
CNVP*3017A**	0.97	0.98	0.97	0.96	OVMAA042112
CNVP*3117A**	0.97	0.98	0.97	0.96	OVMAA042112
CNVP*3617A**	0.97	0.98	0.97	0.96	OVMAA042112
CNVP*3621A**	0.97	0.98	0.97	0.96	OVMAA042112
CNVP*3717A**	1.00	0.97	1.00	0.95	OVMAA042112
CSPH*2412A**	0.98	1.01	0.98	0.98	OVMAA042112

See notes on page 37

Cooling Indoor Model	High Speed Cap.	Power	Low Speed Cap.	Power	Furnace Model
CSPH*3012A**	0.98	0.99	0.98	0.96	OVMAA042112
CSPH*3612A**	0.99	0.99	0.98	0.95	OVMAA042112



DETAILED COOLING CAPACITIES# (CONTINUED)

24ACB736 Outdoor Section With CNPVP4821 Indoor Section

Table with 7 columns: Cooling Indoor Model, High Speed Cap., Power, Low Speed Cap., Power, High Speed Cap., Furnace Model. Rows include models like CAP\*\*4824A\*\*, CNPV\*4824A\*\*, CSPH\*3612A\*\*, etc.

Table with 7 columns: Cooling Indoor Model, High Speed Cap., Power, Low Speed Cap., Power, High Speed Cap., Furnace Model. Rows include models like CAP\*\*4824A\*\*, CNPV\*4824A\*\*, CSPH\*3612A\*\*, etc.

Table with 7 columns: Cooling Indoor Model, High Speed Cap., Power, Low Speed Cap., Power, High Speed Cap., Furnace Model. Rows include models like \*CNPV\*4821A\*\*, CAP\*\*3614A\*\*, CAP\*\*3617A\*\*, etc.



DETAILED COOLING CAPACITIES# (CONTINUED)

24ACB736 Outdoor Section With CNPVP4821 Indoor Section

Cooling Indoor Model	High Speed Cap.	Power	Low Speed Cap.	Power	Furnace Model
CNPV*4824A**	0.98	1.04	0.99	0.99	OVLAA048112
CSPH*3612A**	0.98	1.03	0.99	1.00	OVLAA048112
CSPH*4212A**	0.98	1.04	0.99	0.99	OVLAA048112
CSPH*4812A**	0.99	1.04	0.99	0.99	OVLAA048112
CAP**4224A**	0.98	1.02	0.99	0.99	OVLAA060154
CAP**4824A**	1.01	1.04	1.01	0.99	OVLAA060154
CNPV*3617A**	0.97	1.05	0.99	1.01	OVLAA060154
CNPV*4221A**	0.99	1.04	0.99	1.00	OVLAA060154
CNPV*4321A**	1.02	1.03	1.03	0.99	OVLAA060154
CNPV*4821A**	1.01	1.04	1.01	0.99	OVLAA060154
CNPV*4824A**	1.01	1.04	1.01	0.99	OVLAA060154
CSPH*3612A**	1.00	1.04	1.01	1.00	OVLAA060154
CSPH*4212A**	1.01	1.05	1.02	1.00	OVLAA060154
CSPH*4812A**	0.95	1.03	0.95	0.97	OVMAA042112
CAP**3619A**	0.95	1.03	0.95	0.97	OVMAA042112
CAP**3621A**	0.95	1.03	0.95	0.96	OVMAA042112
CAP**4221A**	0.96	1.01	0.97	0.97	OVMAA042112
CAP**4817A**	0.98	1.02	0.98	0.97	OVMAA042112
CAP**4821A**	0.97	1.02	0.97	0.96	OVMAA042112
CNPV*3617A**	0.95	1.02	0.95	0.98	OVMAA042112
CNPV*4221A**	0.96	1.04	0.97	0.98	OVMAA042112
CNPV*4321A**	0.99	1.02	0.99	0.96	OVMAA042112
CNPV*4821A**	0.98	1.01	0.98	0.96	OVMAA042112
CNPV*3617A**	0.95	1.02	0.95	0.98	OVMAA042112
CNPV*3621A**	0.95	1.03	0.95	0.98	OVMAA042112
CNPV*3717A**	0.99	1.02	0.99	0.96	OVMAA042112
CNPV*4217A**	0.97	1.02	0.97	0.98	OVMAA042112
CNPV*4221A**	0.96	1.04	0.97	0.98	OVMAA042112
CNPV*4821A**	0.98	1.01	0.98	0.96	OVMAA042112
CSPH*3612A**	0.97	1.02	0.97	0.97	OVMAA042112
CSPH*4212A**	0.98	1.01	0.98	0.97	OVMAA042112
CSPH*4812A**	0.98	1.02	0.99	0.97	OVMAA042112

See notes on page 37



**DETAILED COOLING CAPACITIES# (CONTINUED)**

EVAPORATOR AIR		75 (23.9)		85 (23.4)		95 (35)		105 (40.6)		115 (46.1)		125 (51.7)	
CFM	EWB °F (°C)	Capacity MBtuh		Total Sys. KW**		Capacity MBtuh		Total Sys. KW**		Capacity MBtuh		Total Sys. KW**	
		Total	Sens†	Total	Sens†	Total	Sens†	Total	Sens†	Total	Sens†	Total	Sens†
<b>CONDENSER ENTERING AIR TEMPERATURES ° F (°C)</b>													
		24ACB748 HIGH Outdoor Section With CNHPH6124 INDOOR SECTION		24ACB748 HIGH Outdoor Section With CNHPH6124 INDOOR SECTION		24ACB748 HIGH Outdoor Section With CNHPH6124 INDOOR SECTION		24ACB748 HIGH Outdoor Section With CNHPH6124 INDOOR SECTION		24ACB748 HIGH Outdoor Section With CNHPH6124 INDOOR SECTION		24ACB748 HIGH Outdoor Section With CNHPH6124 INDOOR SECTION	
		57 (13.9)	44.11	42.88	3.26	41.49	41.49	39.91	39.91	38.10	38.10	36.02	36.02
		62 (16.7)	37.81	45.48	3.29	43.59	35.65	41.47	34.47	39.11	33.21	36.46	31.85
		63 (17.2)††	31.42	46.41	3.30	44.46	29.30	42.27	28.15	39.81	26.91	37.03	25.59
		67 (19.4)	32.59	50.18	3.33	48.05	30.44	45.65	29.25	42.99	28.01	39.98	26.67
		72 (22.2)	57.49	55.36	3.38	52.80	25.07	50.34	23.98	47.37	22.74	44.05	21.42
		57 (13.9)	45.88	44.56	3.35	43.06	43.06	41.36	41.36	39.42	39.42	37.19	37.19
		62 (16.7)	39.97	46.49	3.37	44.50	37.75	42.31	36.53	39.87	35.21	37.22	34.77
		63 (17.2)††	49.24	47.38	3.37	45.32	30.72	43.02	29.53	40.45	28.26	37.58	26.92
		67 (19.4)	34.17	51.18	3.41	48.95	31.95	46.45	30.74	43.65	29.46	40.53	28.10
		72 (22.2)	58.71	56.43	3.46	53.95	26.08	51.17	24.89	48.08	23.63	44.63	22.29
		57 (13.9)	48.10	46.86	3.43	45.03	45.03	43.17	43.17	41.07	41.07	38.67	38.67
		62 (16.7)	49.64	47.76	3.44	45.70	40.63	43.44	39.31	41.13	41.13	38.72	4.85
		63 (17.2)††	34.94	48.55	3.45	46.35	32.69	43.94	31.47	41.25	30.18	38.26	28.80
		67 (19.4)	36.35	52.38	3.49	50.03	34.06	47.39	32.82	44.47	31.51	41.22	30.12
		72 (22.2)	59.67	57.73	3.54	55.08	27.41	52.04	26.15	48.93	24.90	45.33	23.53
		57 (13.9)	50.24	48.67	3.52	46.90	46.90	44.88	44.88	42.83	42.83	40.04	40.04
		62 (16.7)	50.97	49.03	3.53	46.92	46.83	44.95	44.95	42.88	42.88	40.09	40.09
		63 (17.2)††	51.64	49.57	3.53	47.27	34.82	44.74	33.58	41.96	32.26	38.87	30.84
		67 (19.4)	38.71	53.45	3.57	50.96	36.35	48.22	35.09	45.18	33.75	41.84	32.33
		72 (22.2)	61.38	58.85	3.62	56.08	28.84	53.02	27.59	49.66	26.28	45.93	24.89
<b>CONDENSER ENTERING AIR TEMPERATURES ° F (°C)</b>													
		24ACB748 LOW Outdoor Section With CNHPH6124 INDOOR SECTION		24ACB748 LOW Outdoor Section With CNHPH6124 INDOOR SECTION		24ACB748 LOW Outdoor Section With CNHPH6124 INDOOR SECTION		24ACB748 LOW Outdoor Section With CNHPH6124 INDOOR SECTION		24ACB748 LOW Outdoor Section With CNHPH6124 INDOOR SECTION		24ACB748 LOW Outdoor Section With CNHPH6124 INDOOR SECTION	
		57 (13.9)	32.76	31.62	2.30	30.36	30.36	28.98	28.98	27.46	27.46	25.76	25.76
		62 (16.7)	34.58	27.76	2.29	31.40	27.03	29.61	26.24	27.69	25.39	25.81	25.81
		63 (17.2)††	35.34	22.73	2.29	32.06	22.00	30.21	21.21	28.19	20.37	26.00	19.48
		67 (19.4)	38.47	23.43	2.27	34.90	22.99	32.88	22.19	30.69	21.34	28.30	20.43
		72 (22.2)	42.82	20.36	2.25	38.84	18.90	36.60	18.09	34.16	17.23	31.50	16.31
		57 (13.9)	35.07	33.79	2.32	32.38	32.38	30.84	30.84	29.15	29.15	27.27	27.27
		62 (16.7)	35.99	30.73	2.31	32.63	29.95	30.89	30.89	29.19	29.19	27.31	27.31
		63 (17.2)††	36.67	24.78	2.31	33.13	24.01	31.15	23.20	29.01	22.33	26.69	21.40
		67 (19.4)	39.88	26.65	2.29	36.02	25.15	33.87	24.32	31.54	23.45	29.01	22.51
		72 (22.2)	44.36	21.79	2.04	42.29	20.27	37.53	19.39	35.06	18.54	32.24	17.59
		57 (13.9)	36.17	34.81	2.32	33.33	33.33	31.71	31.71	29.93	29.93	27.97	27.97
		62 (16.7)	36.66	32.29	2.32	33.39	33.39	31.77	31.77	29.98	29.98	28.01	28.01
		63 (17.2)††	37.25	26.59	2.32	33.60	26.30	31.56	24.26	29.36	23.38	26.99	22.43
		67 (19.4)	40.49	27.83	2.31	36.51	25.09	34.29	25.47	31.90	24.57	29.32	23.62
		72 (22.2)	45.02	22.54	2.05	40.58	20.99	38.01	20.11	35.43	19.24	32.54	18.28
		57 (13.9)	37.25	35.82	2.34	34.27	34.27	32.57	32.57	30.70	30.70	28.64	28.64
		62 (16.7)	37.99	34.70	2.34	34.32	34.32	32.62	32.62	30.75	30.75	28.68	28.68
		63 (17.2)††	37.79	27.77	2.34	34.04	26.24	31.95	24.94	29.70	24.50	27.28	23.53
		67 (19.4)	41.06	29.09	2.08	39.08	28.33	36.97	27.54	32.24	25.78	29.61	24.81
		72 (22.2)	45.64	23.33	2.07	43.43	22.57	38.51	20.90	35.77	19.99	32.81	19.01

See notes on page 37





DETAILED COOLING CAPACITIES# (CONTINUED)

Table with columns for Evaporator Air (CFM, EWB, Capacity, Total Sys. KW) and Condenser Entering Air Temperatures (105, 115, 125 °F). Includes sub-sections for 24ACB760A\*\*30 HIGH Outdoor Section and 24ACB760A\*\*30 LOW Outdoor Section.

Table with columns for Evaporator Air (CFM, EWB, Capacity, Total Sys. KW) and Condenser Entering Air Temperatures (105, 115, 125 °F). Includes sub-sections for 24ACB760A\*\*30 LOW Outdoor Section and 24ACB760A\*\*30 HIGH Outdoor Section.



# CONDENSER ONLY RATINGS\*

SST ° F (° C)		CONDENSER ENTERING AIR TEMPERATURES ° F (° C)							
		55 (12.78)	65 (18.33)	75 (23.89)	85 (29.44)	95 (35.0)	105 (40.56)	115 (46.11)	125 (51.67)
<b>24ACB724A30-HIGH</b>									
30 (-1.11)	TCG	22.50	21.30	20.20	18.90	17.60	16.30	14.90	13.40
	SDT	67.50	77.40	87.20	97.00	106.80	116.70	126.60	136.70
	KW	1.00	1.16	1.33	1.50	1.69	1.91	2.15	2.44
35 (1.67)	TCG	24.90	23.60	22.30	20.90	19.50	18.10	16.50	15.00
	SDT	68.70	78.50	88.20	98.00	107.80	117.60	127.50	137.60
	KW	1.02	1.18	1.35	1.52	1.72	1.93	2.18	2.47
40 (4.44)	TCG	27.40	26.00	24.60	23.10	21.50	20.00	18.30	16.60
	SDT	70.00	79.70	89.40	99.10	108.80	118.50	128.40	138.50
	KW	1.05	1.20	1.37	1.55	1.74	1.96	2.21	2.50
45 (7.22)	TCG	30.10	28.60	27.00	25.40	23.70	22.00	20.30	18.50
	SDT	71.30	80.90	90.50	100.20	109.80	119.60	129.40	139.40
	KW	1.07	1.23	1.39	1.57	1.76	1.99	2.24	2.53
50 (10.0)	TCG	33.10	31.40	29.70	27.90	26.10	24.20	22.40	20.40
	SDT	72.60	82.10	91.70	101.30	111.00	120.60	130.40	140.40
	KW	1.09	1.25	1.41	1.59	1.79	2.01	2.27	2.57
55 (12.78)	TCG	36.20	34.40	32.50	30.60	28.60	26.60	24.60	22.50
	SDT	74.00	83.50	93.00	102.50	112.10	121.80	131.50	141.40
	KW	1.12	1.28	1.44	1.62	1.82	2.04	2.30	2.61
60 (15.56)	TCG	39.60	37.60	35.50	33.50	31.30	29.20	27.00	24.70
	SDT	75.50	84.90	94.30	103.80	113.40	122.90	132.60	142.40
	KW	1.15	1.31	1.47	1.65	1.85	2.08	2.34	2.64
<b>24ACB724A30-LOW</b>									
30 (-1.11)	TCG	14.20	13.40	12.50	11.60	10.70	9.70	8.70	7.60
	SDT	64.60	74.40	84.20	94.00	103.90	113.70	123.60	133.60
	KW	0.65	0.79	0.94	1.10	1.28	1.49	1.74	2.05
35 (1.67)	TCG	16.00	15.10	14.20	13.20	12.20	11.10	10.00	8.80
	SDT	65.70	75.50	85.30	95.10	104.90	114.70	124.60	134.60
	KW	0.67	0.81	0.96	1.12	1.30	1.51	1.77	2.08
40 (4.44)	TCG	18.00	17.00	16.00	14.90	13.80	12.60	11.40	10.20
	SDT	66.90	76.70	86.40	96.20	106.00	115.80	125.60	135.70
	KW	0.69	0.83	0.97	1.13	1.32	1.53	1.79	2.10
45 (7.22)	TCG	20.20	19.10	18.00	16.80	15.60	14.30	13.00	11.60
	SDT	68.20	77.90	87.70	97.40	107.10	116.90	126.70	136.70
	KW	0.71	0.85	0.99	1.15	1.34	1.56	1.81	2.13
50 (10.0)	TCG	22.50	21.30	20.10	18.80	17.50	16.10	14.60	13.20
	SDT	69.60	79.30	88.90	98.70	108.30	118.00	127.80	137.70
	KW	0.73	0.87	1.01	1.17	1.36	1.58	1.84	2.15
55 (12.78)	TCG	25.10	23.70	22.40	21.00	19.50	18.00	16.50	14.80
	SDT	71.10	80.70	90.30	99.90	109.50	119.10	128.90	138.60
	KW	0.76	0.89	1.03	1.19	1.38	1.59	1.86	2.17
60 (15.56)	TCG	27.80	26.30	24.90	23.30	21.80	20.10	18.40	16.70
	SDT	72.60	82.10	91.70	101.20	110.80	120.30	130.00	139.80
	KW	0.79	0.92	1.05	1.21	1.40	1.62	1.88	2.20
<b>24ACB736A30 HIGH</b>									
30 (-1.11)	TCG	32.00	30.20	28.40	26.50	24.50	22.50	20.50	18.40
	SDT	71.10	80.40	89.80	99.20	108.60	118.00	127.40	137.00
	KW	1.51	1.72	1.95	2.18	2.44	2.73	3.06	3.43
35 (1.67)	TCG	35.60	33.60	31.60	29.50	27.40	25.20	23.00	20.80
	SDT	72.60	81.80	91.20	100.50	109.80	119.20	128.60	138.10
	KW	1.55	1.76	1.98	2.22	2.48	2.77	3.11	3.49
40 (4.44)	TCG	39.40	37.30	35.10	32.80	30.50	28.20	25.80	23.40
	SDT	74.20	83.40	92.60	101.90	111.20	120.50	129.80	139.30
	KW	1.59	1.80	2.02	2.26	2.52	2.82	3.16	3.54
45 (7.22)	TCG	43.60	41.20	38.80	36.40	33.90	31.40	28.80	26.30
	SDT	76.00	85.10	94.20	103.40	112.60	121.90	131.10	140.50
	KW	1.63	1.84	2.06	2.30	2.57	2.87	3.21	3.60
50 (10.0)	TCG	48.00	45.40	42.80	40.20	37.50	34.80	32.10	29.30
	SDT	77.80	86.80	95.90	105.00	114.10	123.30	132.50	141.70
	KW	1.68	1.89	2.11	2.35	2.62	2.93	3.27	3.66
55 (12.78)	TCG	52.70	49.90	47.10	44.30	41.40	38.50	35.60	32.60
	SDT	79.80	88.70	97.70	106.70	115.70	124.80	133.80	143.00
	KW	1.73	1.94	2.16	2.40	2.68	2.98	3.33	3.72
60 (15.56)	TCG	57.80	54.70	51.70	48.70	45.60	42.50	39.30	36.10
	SDT	81.90	90.70	99.50	108.40	117.30	126.30	135.20	144.20
	KW	1.79	1.99	2.21	2.46	2.73	3.04	3.39	3.79

See notes on page 40

**CONDENSER ONLY RATINGS\* CONTINUED**

SST ° F (° C)		CONDENSER ENTERING AIR TEMPERATURES ° F (° C)							
		55 (12.78)	65 (18.33)	75 (23.89)	85 (29.44)	95 (35.0)	105 (40.56)	115 (46.11)	125 (51.67)
<b>24ACB736A30 LOW</b>									
30 (-1.11)	TCG	20.70	19.30	18.00	16.50	15.10	13.70	12.20	10.70
	SDT	65.30	74.80	84.40	93.90	103.50	113.00	122.60	132.20
	KW	1.04	1.21	1.39	1.58	1.79	2.04	2.32	2.66
35 (1.67)	TCG	23.40	21.80	20.30	18.70	17.20	15.60	14.00	12.40
	SDT	66.50	76.00	85.40	94.90	104.40	113.90	123.40	133.00
	KW	1.04	1.20	1.38	1.56	1.77	2.01	2.29	2.62
40 (4.44)	TCG	26.20	24.50	22.80	21.10	19.40	17.70	15.90	14.20
	SDT	67.80	77.20	86.60	96.00	105.40	114.80	124.30	133.80
	KW	1.03	1.20	1.37	1.55	1.75	1.99	2.26	2.59
45 (7.22)	TCG	29.30	27.40	25.50	23.70	21.80	19.90	18.00	16.10
	SDT	69.20	78.50	87.70	97.00	106.40	115.80	125.10	134.60
	KW	1.03	1.19	1.36	1.53	1.73	1.96	2.23	2.55
50 (10.0)	TCG	32.70	30.60	28.50	26.40	24.40	22.30	20.30	18.20
	SDT	70.60	79.60	88.80	98.10	107.40	116.70	126.10	135.50
	KW	1.04	1.19	1.35	1.52	1.71	1.94	2.21	2.52
55 (12.78)	TCG	36.20	33.90	31.70	29.40	27.20	25.00	22.70	20.50
	SDT	72.00	81.00	90.10	99.40	108.60	117.80	127.10	136.40
	KW	1.04	1.19	1.34	1.51	1.70	1.92	2.18	2.48
60 (15.56)	TCG	40.10	37.50	35.00	32.60	30.20	27.80	25.40	23.00
	SDT	73.60	82.50	91.60	100.70	109.80	118.90	128.10	137.40
	KW	1.05	1.19	1.34	1.50	1.69	1.90	2.15	2.45
<b>24ACB748A30 HIGH</b>									
30 (-1.11)	TCG	40.30	38.40	36.30	34.20	31.90	29.50	27.00	24.30
	SDT	68.50	77.90	87.20	96.60	106.00	115.30	124.60	133.90
	KW	2.39	2.68	2.99	3.31	3.65	4.02	4.43	4.88
35 (1.67)	TCG	44.80	42.60	40.40	38.10	35.60	33.00	30.20	27.40
	SDT	69.90	79.20	88.50	97.80	107.10	116.30	125.60	134.70
	KW	2.43	2.73	3.03	3.35	3.69	4.07	4.48	4.94
40 (4.44)	TCG	49.60	47.20	44.80	42.20	39.60	36.70	33.80	30.70
	SDT	71.40	80.60	89.80	99.00	108.20	117.40	126.60	135.70
	KW	2.49	2.78	3.08	3.40	3.74	4.12	4.54	5.00
45 (7.22)	TCG	54.80	52.20	49.50	46.80	43.80	40.80	37.60	34.20
	SDT	73.00	82.10	91.20	100.30	109.50	118.60	127.60	136.60
	KW	2.54	2.83	3.13	3.45	3.79	4.17	4.59	5.06
50 (10.0)	TCG	60.40	57.60	54.60	51.60	48.40	45.10	41.60	38.00
	SDT	74.60	83.70	92.70	101.60	110.80	119.80	128.80	137.70
	KW	2.60	2.89	3.19	3.50	3.85	4.23	4.66	5.12
55 (12.78)	TCG	66.40	63.30	60.10	56.80	53.30	49.70	46.00	42.00
	SDT	76.40	85.30	94.10	103.10	112.10	121.10	130.00	138.80
	KW	2.67	2.95	3.24	3.56	3.91	4.30	4.72	5.19
60 (15.56)	TCG	72.80	69.40	65.90	62.30	58.60	54.70	50.60	46.20
	SDT	78.30	87.10	96.00	104.80	113.70	122.50	131.30	139.90
	KW	2.75	3.03	3.32	3.64	3.98	4.37	4.79	5.26
<b>24ACB748A30 LOW</b>									
30 (-1.11)	TCG	27.40	26.00	24.50	23.00	21.30	19.60	17.70	15.70
	SDT	63.50	73.20	82.80	92.40	102.00	111.50	121.00	130.50
	KW	1.36	1.61	1.85	2.12	2.42	2.75	3.15	3.61
35 (1.67)	TCG	30.80	29.30	27.70	25.90	24.10	22.20	20.20	18.00
	SDT	64.60	74.10	83.70	93.30	102.80	112.30	121.70	131.20
	KW	1.36	1.59	1.84	2.10	2.39	2.72	3.10	3.56
40 (4.44)	TCG	34.60	32.90	31.10	29.20	27.20	25.10	22.80	20.50
	SDT	65.70	75.20	84.70	94.20	103.60	113.10	122.50	131.90
	KW	1.35	1.58	1.82	2.07	2.36	2.68	3.06	3.50
45 (7.22)	TCG	38.70	36.80	34.80	32.70	30.50	28.20	25.80	23.20
	SDT	66.90	76.30	85.80	95.20	104.60	113.90	123.30	132.60
	KW	1.35	1.58	1.81	2.05	2.33	2.65	3.02	3.45
50 (10.0)	TCG	43.10	41.00	38.70	36.40	34.00	31.50	28.90	26.10
	SDT	68.30	77.60	86.90	96.30	105.50	114.80	124.10	133.30
	KW	1.35	1.57	1.79	2.04	2.30	2.61	2.97	3.40
55 (12.78)	TCG	47.90	45.50	43.00	40.50	37.90	35.10	32.30	29.30
	SDT	69.70	78.90	88.10	97.40	106.60	115.80	125.00	134.10
	KW	1.36	1.57	1.79	2.02	2.28	2.58	2.93	3.35
60 (15.56)	TCG	53.00	50.40	47.70	44.90	42.00	39.00	35.90	32.60
	SDT	71.20	80.30	89.40	98.60	107.70	116.80	125.90	135.00
	KW	1.37	1.57	1.78	2.01	2.26	2.55	2.90	3.30

**24ACB7**

See notes on page 40

# CONDENSER ONLY RATINGS\* CONTINUED

SST ° F (° C)		CONDENSER ENTERING AIR TEMPERATURES ° F (° C)							
		55 (12.78)	65 (18.33)	75 (23.89)	85 (29.44)	95 (35.0)	105 (40.56)	115 (46.11)	125 (51.67)
<b>24ACB760A**30 HIGH</b>									
<b>30</b> (-1.11)	TCG	52.30	49.80	47.20	44.50	41.60	38.60	35.40	32.00
	SDT	70.40	79.70	89.00	98.30	107.60	116.80	126.00	135.20
	KW	2.27	2.61	2.97	3.34	3.74	4.18	4.67	5.21
<b>35</b> (1.67)	TCG	58.00	55.20	52.40	49.40	46.20	42.90	39.50	35.80
	SDT	72.00	81.20	90.40	99.60	108.80	117.90	127.00	136.10
	KW	2.33	2.67	3.02	3.40	3.80	4.24	4.73	5.27
<b>40</b> (4.44)	TCG	64.10	61.10	57.90	54.70	51.20	47.70	43.90	39.90
	SDT	73.70	82.70	91.80	101.00	110.10	119.10	128.20	137.20
	KW	2.40	2.73	3.09	3.46	3.87	4.31	4.81	5.35
<b>45</b> (7.22)	TCG	70.60	67.40	63.90	60.30	56.60	52.70	48.60	44.20
	SDT	75.40	84.20	93.30	102.20	111.50	120.50	129.40	138.20
	KW	2.47	2.80	3.15	3.52	3.94	4.39	4.88	5.42
<b>50</b> (10.0)	TCG	77.70	74.10	70.30	66.40	62.30	58.10	53.60	48.80
	SDT	77.30	85.90	94.90	103.90	112.90	121.90	130.70	139.40
	KW	2.55	2.87	3.22	3.60	4.01	4.47	4.96	5.51
<b>55</b> (12.78)	TCG	85.30	81.30	77.20	72.90	68.40	63.70	58.90	53.70
	SDT	79.30	88.10	96.90	105.70	114.50	123.20	132.00	140.70
	KW	2.64	2.96	3.31	3.69	4.10	4.55	5.05	5.60
<b>60</b> (15.56)	TCG	93.30	89.00	84.40	79.70	74.90	69.70	64.40	58.70
	SDT	81.40	90.10	98.80	107.40	116.10	124.80	133.40	141.90
	KW	2.74	3.06	3.40	3.78	4.19	4.64	5.14	5.70
<b>24ACB760A**30LOW</b>									
<b>30</b> (-1.11)	TCG	34.80	33.30	31.50	29.60	27.50	25.30	23.00	20.60
	SDT	64.40	74.00	83.60	93.10	102.70	112.20	121.60	131.10
	KW	1.65	1.96	2.27	2.60	2.98	3.41	3.90	4.49
<b>35</b> (1.67)	TCG	39.00	37.30	35.30	33.20	30.90	28.50	25.90	23.30
	SDT	65.50	75.00	84.50	94.00	103.50	112.90	122.40	131.80
	KW	1.64	1.94	2.25	2.57	2.94	3.36	3.85	4.42
<b>40</b> (4.44)	TCG	43.60	41.60	39.40	37.10	34.60	31.90	29.20	26.30
	SDT	66.70	76.10	85.60	95.00	104.40	113.80	123.20	132.50
	KW	1.64	1.93	2.23	2.55	2.90	3.31	3.79	4.35
<b>45</b> (7.22)	TCG	48.50	46.30	43.90	41.30	38.50	35.60	32.60	29.40
	SDT	68.00	77.30	86.70	96.10	105.40	114.70	124.00	133.20
	KW	1.64	1.92	2.21	2.52	2.87	3.27	3.74	4.28
<b>50</b> (10.0)	TCG	53.80	51.30	48.70	45.80	42.80	39.60	36.30	32.80
	SDT	69.30	78.60	87.90	97.20	106.40	115.60	124.80	134.00
	KW	1.64	1.91	2.20	2.50	2.84	3.23	3.68	4.22
<b>55</b> (12.78)	TCG	59.50	56.70	53.80	50.70	47.40	43.90	40.20	36.30
	SDT	70.80	80.00	89.20	98.30	107.50	116.60	125.80	134.80
	KW	1.65	1.91	2.19	2.48	2.81	3.19	3.64	4.16
<b>60</b> (15.56)	TCG	65.60	62.50	59.30	55.90	52.20	48.40	44.30	40.00
	SDT	72.30	81.40	90.50	99.60	108.60	117.70	126.70	135.70
	KW	1.66	1.92	2.18	2.47	2.79	3.16	3.59	4.10

\* AHRI listing applies only to systems shown in Combination Ratings table.

**KW** – Outdoor Unit Kilowatts Only.

**SDT** – Saturated Temperature Leaving Compressor (° F)

**SST** – Saturated Temperature Entering Compressor (° F/° C)

**TCG** – Gross Cooling Capacity (1000 Btuh)

24ACB7



# GUIDE SPECIFICATIONS

## GENERAL

### System Description

Outdoor-mounted, air-cooled, split-system air conditioner unit suitable for ground or rooftop installation. Unit consists of a hermetic compressor, an air-cooled coil, propeller-type condenser fan, and a control box. Unit will discharge supply air upward as shown on contract drawings. Unit will be used in a refrigeration circuit to match up to a packaged fan coil or coil unit.

### Quality Assurance

- Unit will be rated in accordance with the latest edition of AHRI Standard 210.
- Unit will be certified for capacity and efficiency, and listed in the latest AHRI directory.
- Unit construction will comply with latest edition of ANSI/ASHRAE and with NEC.
- Unit will be constructed in accordance with UL standards and will carry the UL label of approval. Unit will have c-UL approval.
- Unit cabinet will be capable of withstanding Federal Test Method Standard No. 141 (Method 6061) 500-hr salt spray test.
- Air-cooled condenser coils will be leak tested and pressure tested.
- Unit constructed in ISO9001 approved facility.

### Delivery, Storage, and Handling

- Unit will be shipped as single package only and is stored and handled per unit manufacturer's recommendations.

### Warranty (for inclusion by specifying engineer)

- U.S. and Canada only.

## PRODUCTS

### Equipment

- Factory assembled, single piece, air-cooled air conditioner unit. Contained within the unit enclosure is all factory wiring, piping, controls, compressor, refrigerant charge Puron® (R-410A), and special features required prior to field start-up.

### Unit Cabinet

- Unit cabinet, including louvered coil guard, will be constructed of galvanized steel, bonderized, and coated with a powder coat paint.

### Fans

- Condenser fan will be direct-drive propeller type, discharging air upward.

## AIR-COOLED, SPLIT-SYSTEM AIR CONDITIONER

24ACB7

2 TO 5 NOMINAL TONS

- Condenser fan motors will be totally enclosed, 1-phase type with class B insulation and permanently lubricated bearings. Shafts will be corrosion resistant.
- Fan blades will be statically and dynamically balanced.
- Condenser fan openings will be equipped with coated steel wire safety guards.

### Compressor

- Compressor will be hermetically sealed.
- Compressor will be mounted on rubber vibration isolators.

### Condenser Coil

- Condenser coil will be air cooled.
- Coil will be constructed of aluminum fins mechanically bonded to copper tubes which are then cleaned, dehydrated, and sealed.

### Refrigeration Components

- Refrigeration circuit components will include liquid-line shutoff valve with sweat connections, vapor-line shutoff valve with sweat connections, system charge of Puron® (R-410A) refrigerant, and compressor oil.
- Unit will be equipped with high-pressure switch, low pressure switch and filter drier for Puron refrigerant.

### Operating Characteristics

- The capacity of the unit will meet or exceed \_\_\_\_\_ Btuh at a suction temperature of \_\_\_\_\_ °F/°C. The power consumption at full load will not exceed \_\_\_\_\_ kW.
- Combination of the unit and the evaporator or fan coil unit will have a total net cooling capacity of \_\_\_\_\_ Btuh or greater at conditions of \_\_\_\_\_ CFM entering air temperature at the evaporator at \_\_\_\_\_ °F/°C wet bulb and \_\_\_\_\_ °F/°C dry bulb, and air entering the unit at \_\_\_\_\_ °F/°C.
- The system will have a SEER of \_\_\_\_\_ Btuh/watt or greater at DOE conditions.

### Electrical Requirements

- Nominal unit electrical characteristics will be \_\_\_\_\_ v, single phase, 60 hz. The unit will be capable of satisfactory operation within voltage limits of \_\_\_\_\_ v to \_\_\_\_\_ v.
- Unit electrical power will be single point connection.
- Control circuit will be 24v.

### Special Features

- Refer to section of this literature identifying accessories and descriptions for specific features and available enhancements.

## SYSTEM DESIGN SUMMARY

1. Intended for outdoor installation with free air inlet and outlet. Outdoor fan external static pressure available is less than 0.01-in. wc.
2. This product is not qualified for low ambient cooling operation (below 55°F/12.8°C) and no low ambient kit is available.
3. The maximum outdoor operating ambient in cooling mode is 125°F (51.67°C) when operating voltage is 230v. For 208v applications, the maximum outdoor ambient is 120°F (48.9°C).
4. For reliable operation, unit should be level in all horizontal planes.
5. For interconnecting refrigerant tube lengths greater than 80 ft (23.4 m) and/or 35 ft (10.7 m) vertical differential, consult Residential Piping and Longline Guideline and Service Manual available from equipment distributor.
6. If any refrigerant tubing is buried, provide a 6 in. (152.4 mm) vertical rise to the valve connections at the unit. Refrigerant tubing lengths up to 36 in. (914.4 mm) may be buried without further consideration. Do not bury refrigerant lines longer than 36 in. (914.4 mm).
7. Use only copper wire for electric connection at unit. Aluminum and clad aluminum are not acceptable for the type of connector provided.
8. Do not apply capillary tube indoor coils to these units.
9. Factory-supplied filter drier must be installed.

24ACB7