

**25HCB6
Performance™ 16 2-Stage Heat Pump
with Puron® Refrigerant
2 to 5 Tons**



Product Data



**Performance™
SERIES**

Carrier Air Conditioners with Puron® refrigerant provide a collection of features unmatched by any other family of equipment. The 25HCB6 has been designed utilizing Carrier's Puron refrigerant. The environmentally sound refrigerant allows you to make a responsible decision in the protection of the earth's ozone layer.

This product has been designed and manufactured to meet Energy Star® criteria for energy efficiency when matched with appropriate coil components. Refer to the combination ratings in the Product Data for system combinations that meet Energy Star® guidelines.

NOTE: Ratings contained in this document are subject to change at any time. Always refer to the AHRI directory (www.ahridirectory.org) for the most up-to-date ratings information.

INDUSTRY LEADING FEATURES / BENEFITS

Energy Efficiency

- 15.5 - 16.5 SEER/12.5 EER/9.0 - 9.5 HSPF (based on tested combinations)
- Microtube Technology™ refrigeration system
- Indoor air quality accessories available

Sound

- Sound level as low as 70 dBA
- Sound level as low as 69 dBA with accessory sound shield

Comfort

- System supports Thermidistat™ or standard 2-stage thermostat controls

Reliability

- Puron® refrigerant - environmentally sound, won't deplete the ozone layer and low lifetime service cost.
- Front-seating service valves
- 2-stage scroll compressor
- Internal pressure relief valve
- Internal thermal overload
- Highpressure switch
- Loss of charge switch
- Filter drier
- Balanced refrigeration system for maximum reliability

Durability

WeatherArmor™ protection package:

- Solid, Durable sheet metal construction
- Steel louver coil guard
- Baked-on, complete outer coverage, powder paint

Applications

- Long-line - up to 250 feet (76.2 m) total equivalent length, up to 200 feet (60.96 m) condenser above evaporator, or up to 80 ft. (24.38 m) evaporator above condenser (See Longline Guide for more information.)

MODEL NUMBER NOMENCLATURE

1	2	3	4	5	6	7	8	9	10	11	12	13
N	N	A	A	A/N	N	N	N	A/N	A/N	A/N	N	N
2	5	H	C	B	6	3	6	A	0	0	3	0
Product Series	Product Family	Tier	Major Series	SEER	Cooling Capacity	Variations	Open	Open	Open	Voltage	Minor Series	
25 = HP	H = RES HP	C = Performance Series	A = Puron Series	6=16 SEER	1,000 Btuh (nominal)	A = Standard	0=Not Defined	0=Not Defined	0=Not Defined	3=208/230-1	0, 1, 2...	



Use of the AHRI Certified TM Mark indicates a manufacturer's participation in the program. For verification of certification for individual products, go to www.ahridirectory.org.



ISO 9001
QMI-SAI Global



This product has been designed and manufactured to meet Energy Star® criteria for energy efficiency when matched with appropriate coil components. However, proper refrigerant charge and proper air flow are critical to achieve rated capacity and efficiency. Installation of this product should follow all manufacturing refrigerant charging and air flow instructions. **Failure to confirm proper charge and air flow may reduce energy efficiency and shorten equipment life.**



25HCB6

STANDARD FEATURES

FEATURES	Unit Size – Voltage, Series			
	24–30	36–30	48–30	60–30
Puron Refrigerant	X	X	X	X
Maximum SEER Rating	16.5	16.5	16.5	16.5
2–Stage Scroll Compressor	X	X	X	X
Louvered Coil Guard	X	X	X	X
Field Installed Filter Drier	X	X	X	X
Front Seating Service Valves	X	X	X	X
Internal Pressure Relief Valve	X	X	X	X
Long Line capability	X	X	X	X
Loss of Charge Switch	X	X	X	X
High Pressure Switch	X	X	X	X
Crankcase Heater	X	X	X	X

X = Standard

PHYSICAL DATA

UNIT SIZE SERIES	24-30	36-30	48-30	60-30
Operating Weight lb (kg)	281 (127)	300 (136)	303 (137)	349 (158)
Shipping Weight lb (kg)	318 (144)	337 (153)	341 (155)	389 (177)
Compressor Type	Ultratech® Scroll			
REFRIGERANT	Puron® (R-410A)			
Control	TXV (Puron® Hard Shutoff)			
Charge lb (kg)	13.62 (6.18)	15.50 (7.03)	14.25 (6.46)	15.75 (7.14)
Outdoor Htg Piston #	40	57	61	67
COND FAN	Forward Swept Propeller Type, Direct Drive			
Air Discharge	Vertical			
Air Qty (CFM)	2700	4269	4350	5000
Motor HP	1/12	1/5	1/4	1/4
Motor RPM	800	810	825	810
COND COIL				
Face Area (Sq ft)	22.69	25.21	25.21	30.25
Fins per In.	20	20	20	20
Rows	2	2	2	2
Circuits	8	8	8	10
VALVE CONNECT. (In. ID)				
Vapor	3/4	7/8	7/8	7/8
Liquid	3/8			
REFRIGERANT TUBES (In. OD)				
Rated Vapor*	3/4	7/8	1-1/8	1-1/8
Max Liquid Line	3/8			

* Units are rated with 25 ft (7.6 m) of lineset length. See Vapor Line Sizing and Cooling Capacity Loss table when using other sizes and lengths of lineset.

Note: See unit Installation Instruction for proper installation.

25HCB6

VAPOR LINE SIZING AND COOLING CAPACITY LOSS

Acceptable vapor line diameters provide adequate oil return to the compressor while avoiding excessive capacity loss. The suction line diameters shown in the chart below are acceptable for AC systems with Puron refrigerant:

Unit Nominal Size (Btuh)	Maximum Liquid Line Diameters (In. OD)	Vapor Line Diameters (In. OD)	Cooling Capacity Loss (%) Total Equivalent Line Length ft. (m)								
			Standard Application		Long Line Application Requires Accessories						
			26-50 (7.9-15.2)	51-80 (15.5-24.4)	81-100 (24.7-30.5)	101-125 (30.8-38.1)	126-150 (38.4-45.7)	151-175 (46.0-50.3)	176-200 (53.6-60.0)	201-225 (61.3-68.6)	226-250 (68.9-76.2)
24,000 2-Stage HP with Puron	3/8	5/8	0	1	1	2	3	3	4	4	5
		3/4	0	1	1	1	1	1	1	1	1
36,000 2-Stage HP with Puron	3/8	5/8	1	2	4	5	6	7	9	10	11
		3/4	0	0	1	1	2	2	3	3	4
		7/8	0	0	—	—	—	—	—	—	—
48,000 2-Stage HP with Puron	3/8	3/4	1	2	2	3	4	5	6	7	7
		7/8	0	1	1	2	2	2	3	3	4
		1-1/8	0	0	—	—	—	—	—	—	—
60,000 2-Stage HP with Puron	3/8	3/4	1	2	4	5	6	8	9	10	11
		7/8	0	1	2	2	3	4	4	5	5
		1-1/8	0	0	—	—	—	—	—	—	—

Standard Length = 80 ft. (24.4 m) or less total equivalent length

Applications in this area are long line. Accessories are required as shown recommended on Long Line Application Guidelines

Applications in this area may have height restrictions that limit allowable total equivalent length, when outdoor unit is below indoor unit.

— Applications in this area are not recommended due to insufficient oil return.

REFRIGERANT PIPING LENGTH LIMITATIONS

Maximum Line Lengths:

The maximum allowable total equivalent length for heat pumps varies depending on the vertical separation. See the tables below for allowable lengths depending on whether the outdoor unit is on the same level, above or below the indoor unit.

Maximum Line Lengths for Heat Pump Applications

	MAXIMUM ACTUAL LENGTH ft (m)	MAXIMUM EQUIVALENT LENGTH† ft (m)	MAXIMUM VERTICAL SEPARATION ft (m)
Units on equal level	200 (61)	250 (76.2)	N/A
Outdoor unit ABOVE indoor unit	200 (61)	250 (76.2)	200 (61)
Outdoor unit BELOW indoor unit	See Table 'Maximum Total Equivalent Length: Outdoor Unit BELOW Indoor Unit'		

† Total equivalent length accounts for losses due to elbows or fitting. See the Long Line Guideline for details.

Maximum Total Equivalent Length† - Outdoor Unit BELOW Indoor Unit

Size	Liquid Line Diameter w/ TXV	HP with Puron® Refrigerant – Maximum Total Equivalent Length† Vertical Separation ft (m) Outdoor unit BELOW indoor unit;						
		0–20 (0 – 6.1)	21–30 (6.4 – 9.1)	31–40 (9.4 – 12.2)	41–50 (12.5 – 15.2)	51–60 (15.5 – 18.3)	61–70 (18.6 – 21.3)	71–80 (21.6 – 24.4)
024 HP with Puron	3/8	250*	250*	250*	250*	250*	250*	250*
036 HP with Puron	3//8	250*	250*	250*	250*	250*	250*	250*
048 HP with Puron	3/8	250*	250*	250*	250*	230	160	--
060 HP with Puron	3/8	250*	225*	190	150	110	--	--

* Maximum actual length not to exceed 200 ft (61 m)

† Total equivalent length accounts for losses due to elbows or fitting. See the Long Line Guideline for details.

-- = outside acceptable range

LONG LINE APPLICATIONS

An application is considered Long Line when the refrigerant level in the system requires the use of accessories to maintain acceptable refrigerant management for systems reliability. Defining a system as long line depends on the liquid line diameter, actual length of the tubing, and vertical separation between the indoor and outdoor units.

For Heat Pump systems, the chart below shows when an application is considered Long Line. Beyond these lengths, long line accessories are required:

HP WITH PURON® REFRIGERANT LONG LINE DESCRIPTION ft (m) Beyond these lengths, long line accessories are required

Liquid Line Size	Units On Same Level	Outdoor Below Indoor	Outdoor Above Indoor
3/8	80 (24.4)	20 (6.1) vertical or 80 (24.4) total	80 (24.4)

Note: See Long Line Guideline for details

THERMOSTATS

THERMOSTAT / SUBBASE PKG.	DESCRIPTION
TP-PRH01-A	Programmable Thermidistat
TP-NRH01-A	Non-programmable Thermidistat
TP-PHP01*	Performance Series Programmable HP Stat
TP-NHP01*	Performance Series Non-programmable HP Stat
TC-PHP01*	Comfort Series Programmable HP Stat
TC-NHP01*	Comfort Series Non-programmable HP Stat

*Serial numbers beginning with 2909 and thereafter.

ACCESSORIES

KIT NUMBER	KIT NAME	24-30	36-30	48-30	60-30
KHALS0401LLS	SOLENOID VALVE	X	X	X	X
KHASS0606MPK*	SNOW STAND	X	X	X	X
KSAHS2301AAA	HARD START KIT	X			
KSAHS2401AAA	HARD START KIT		X		
KSAHS2501AAA	HARD START KIT			X	
KSAHS2601AAA	HARD START KIT				X
KSASF0101AAA	SUPPORT FEET	X	X	X	X
KSASH2101COP	SOUND BLANKET	X	X	X	X
KSATX0201PUR	TXV	X			
KSATX0301PUR	TXV		X		
KSATX0401PUR	TXV			X	
KSATX0501PUR	TXV				X
STANDARD	CRANKCASE HEATER	S	S	S	S

x = Accessory S = Standard * Available from RCD

ACCESSORY USAGE GUIDELINE

Accessory	REQUIRED FOR LONG LINE APPLICATIONS*	REQUIRED FOR SEA COAST APPLICATIONS (Within 2 miles / 3.22 km)
Accumulator	Standard	Standard
Compressor Start Assist Capacitor and Relay	Yes	No
Crankcase Heater	Standard	Standard
Hard Shutoff TXV	Yes (Standard with factory-approved indoor unit)	Yes
Liquid Line Solenoid Valve	See Long-Line Application Guideline	No
Support Feet	Recommended	Recommended

* For tubing line sets between 80 and 200 ft. (24.38 and 60.96 m) and/or 20 ft. (6.09 m) vertical differential, refer to Residential Piping and Longline Guideline.

Accessory Description and Usage (Listed Alphabetically)

1. Compressor Start Assist - Capacitor and Relay

Start capacitor and relay gives a “hard” boost to compressor motor at each start up.

Usage Guideline:

Required for reciprocating compressors in the following applications:

- Long line
- Low ambient cooling
- Hard shut off expansion valve on indoor coil
- Liquid line solenoid on indoor coil

Required for single-phase scroll compressors in the following applications:

- Long line
- Low ambient cooling

Suggested for all compressors in areas with a history of low voltage problems.

2. Crankcase Heater

An electric resistance heater which mounts to the base of the compressor to keep the lubricant warm during off cycles. Improves compressor lubrication on restart and minimizes the chance of liquid slugging.

Usage Guideline:

- Required in low ambient cooling applications.
- Required in long line applications.
- Suggested in all commercial applications.

3. Liquid-Line Solenoid Valve (LLS)

An electrically operated shutoff valve which stops and starts refrigerant liquid flow in response to compressor operation. It is to be installed at the outdoor unit to control refrigerant off cycle migration in the heating mode.

Usage Guideline:

- An LLS is required in all long line heat pump applications to control refrigerant off cycle migration in the heating mode. See Long Line Guideline.
- Suggested for all commercial applications.

4. Outdoor Air Temperature Sensor

Designed for use with Carrier Thermostats listed in this publication. This device enables the thermostat to display the outdoor temperature. This device also is required to enable special thermostat features such as auxiliary heat lock out.

Usage Guideline:

- Suggested for all Carrier thermostats listed in this publication.

5. Outdoor Thermostat

An SPDT temperature-actuated switch which turns on supplemental electric heaters when outdoor air temperature drops below a user-selected set point.

Usage Guideline:

Electric supplemental heat applications in non-variable speed indoor units when electric heat staging is desired.

6. Secondary Outdoor Thermostat

An SPDT temperature-actuated switch which turns on third-stage of supplemental electric heaters when outdoor air temperature drops below the second-stage set point.

Usage Guideline:

Outdoor thermostat applications where electric heater is capable of three-stage operation.

7. Snow Stand

Coated wire rack which supports unit 18 in. (457.2 mm) above mounting pad to allow for drainage from unit base.

Usage Guideline:

Suggested in the following applications:

- Heat pump installations in heavy snowfall areas.
- Heat pump installations in snow drift locations.
- Heat pump installations in areas of prolonged subfreezing temperatures.
- All commercial installations.

8. Thermostatic Expansion Valve (TXV) Bi-Flow

A modulating flow-control valve which meters refrigerant liquid flow rate into the evaporator in response to the superheat of the refrigerant gas leaving the evaporator.

Usage Guideline:

- Accessory required to meet AHRI rating and system reliability, where indoor not equipped.
- Required in all heat pump applications designed with Puron refrigerant.

ELECTRICAL DATA

UNIT SIZE – VOLTAGE, SERIES	V/PH	OPER VOLTS*		COMPR		FAN	MCA	MIN WIRE SIZE†	MIN WIRE SIZE†	MAX LENGTH ft (m)‡	MAX LENGTH ft (m)‡	MAX FUSE* * or CKT BRK AMPS
		MAX	MIN	LRA	RLA	FLA		60°C	75°C	60°C	75°C	
24–30	208/230–1	253	187	52.0	15.4	0.5	19.8	14	14	56 (17.1)	54 (16.5)	30
36–30				82.0	16.7	1.2	22.1	12	12	57 (17.4)	54 (16.5)	35
48–30				96.0	26.9	1.3	34.8	8	8	89 (27.1)	84 (25.6)	50
60–30				118.0	23.0	1.3	30.1	10	10	67 (20.4)	63 (19.2)	50

* Permissible limits of the voltage range at which the unit will operate satisfactorily

† If wire is applied at ambient greater than 30°C, consult table 310–16 of the NEC (NFPA 70). The ampacity of non–metallic–sheathed cable (NM), trade name ROMEX, shall be that of 60°C conditions, per the NEC (NFPA 70) Article 336–26. If other than uncoated (no–plated), 60 or 75°C insulation, copper wire (solid wire for 10 AWG or smaller, stranded wire for larger than 10 AWG) is used, consult applicable tables of the NEC (NFPA 70).

‡ Length shown is as measured 1 way along wire path between unit and service panel for voltage drop not to exceed 2%.

** Time–Delay fuse.

FLA – Full Load Amps

LRA – Locked Rotor Amps

MCA – Minimum Circuit Amps

RLA – Rated Load Amps

NOTE: Control circuit is 24–V on all units and requires external power source. Copper wire must be used from service disconnect to unit.

All motors/compressors contain internal overload protection.

Complies with 2007 requirements of ASHRAE Standards 90.1

SOUND POWER LEVEL (dBA)

Unit Size – Voltage, Series	Standard Rating dBA	TYPICAL OCTAVE BAND SPECTRUM (dBA, without tone adjustment)						
		125	250	500	1000	2000	4000	8000
24	73 – High Stage	50.0	59.5	64.5	67.0	63.0	61.5	58.5
	70 – Low Stage	50.0	58.5	62.5	65.5	64.0	61.0	54.0
36	75 – High Stage	57.0	61.0	70.0	69.5	64.5	62.5	58.0
	72 – Low Stage	57.5	60.5	64.5	67.0	64.5	62.0	56.0
48	76 – High Stage	54.0	62.0	66.0	71.0	65.5	63.0	59.5
	72 – Low Stage	54.5	61.0	65.0	67.0	64.0	61.0	57.0
60	75 – High Stage	52.5	60.5	66.5	72.0	66.5	64.0	57.0
	74 – Low Stage	51.5	59.5	66.5	71.0	66.0	62.5	55.5

NOTE: Tested in compliance with AHRI 270–2008 but not listed with AHRI.

SOUND POWER LEVEL (dBA) WITH ACCESSORY SOUND SHIELD

Unit Size – Voltage, Series	Standard Rating dBA	TYPICAL OCTAVE BAND SPECTRUM (dBA, without tone adjustment)						
		125	250	500	1000	2000	4000	8000
24	71 – High Stage	50.5	59.5	64.0	65.5	61.5	58.5	53.5
	69 – Low Stage	50.0	58.0	62.0	64.5	62.0	59.0	50.5
36	74 – High Stage	58.5	60.5	69.5	68.5	63.5	61.0	55.0
	71 – Low Stage	57.5	60.5	64.5	66.0	63.5	61.0	53.5
48	74 – High Stage	55.5	61.5	65.5	70.0	64.5	60.5	55.0
	71 – Low Stage	55.0	61.0	64.5	66.5	63.0	60.0	54.0
60	73 – High Stage	53.5	60.5	66.0	70.5	65.0	59.5	52.5
	73 – Low Stage	52.0	58.5	65.5	69.5	64.5	59.5	52.0

NOTE: Tested in compliance with AHRI 270–2008 but not listed with AHRI.

CHARGING SUBCOOLING (TXV-TYPE EXPANSION DEVICE)

UNIT SIZE – VOLTAGE, SERIES	REQUIRED SUBCOOLING °F (°C)
24–30	11.0 (6.1) HIGH STAGE
36–30	12.0 (6.7) HIGH STAGE
48–30	12.0 (6.7) HIGH STAGE
60–30	8.0 (4.4) HIGH STAGE


DIMENSIONS - ENGLISH

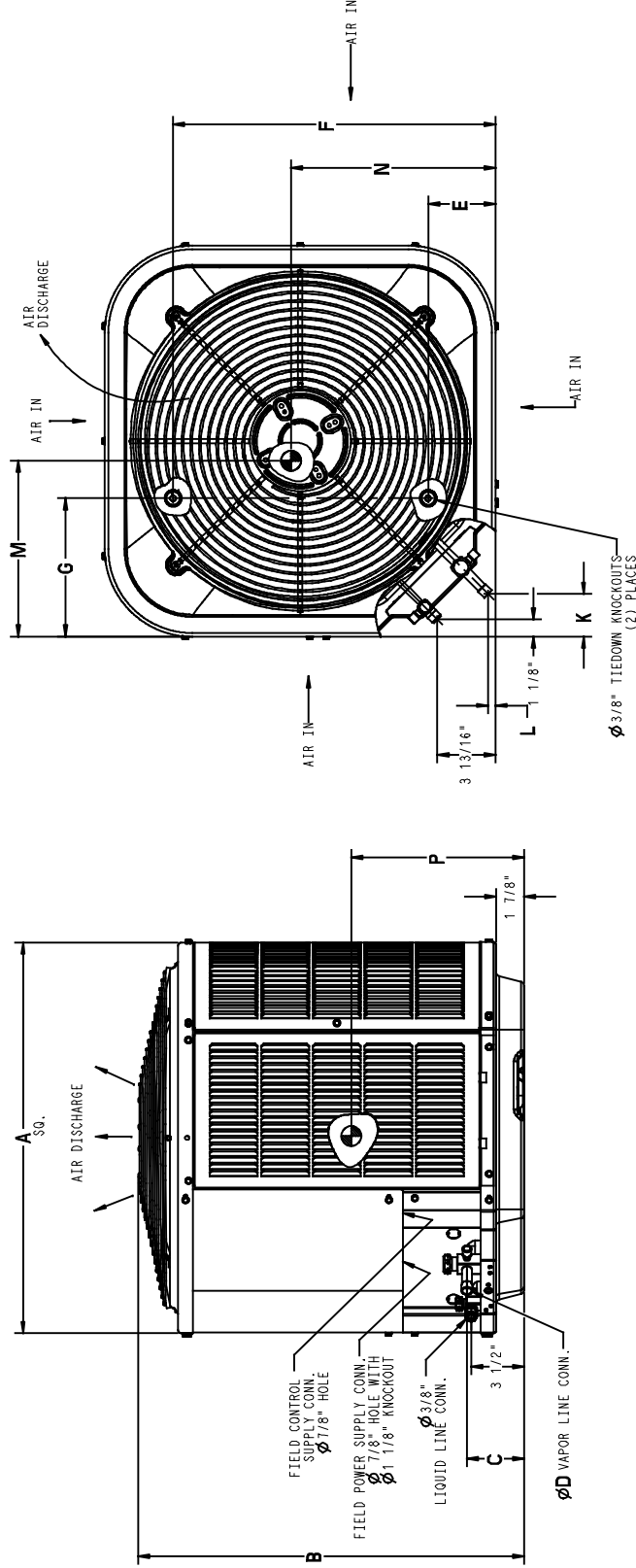
UNIT	SERIES	ELECTRICAL CHARACTERISTICS	A	B	C	D	E	F	G	K	L	M	N	P	OPERATING WEIGHT (lbs)	SHIPPING WEIGHT (lbs)	SHIPPING DIMENSIONS (L x W x H)
25HCB624	0	X 0 0 0	35"	35 3/4"	3 3/4"	3 3/4"	6 9/16"	28 7/16"	9 1/8"	2 13/16"	1/2"	16"	14 1/2"	15 1/2"	280.5	317.5	36 1/8" X 39 5/16" X 39 3/8"
25HCB636	0	X 0 0 0	35"	39 1/8"	3 7/8"	7/8"	6 9/16"	28 7/16"	9 1/8"	2 15/16"	5/8"	16 1/4"	15 1/2"	18 1/2"	900.3	336.6	36 1/8" X 39 5/16" X 42 3/4"
25HCB648	0	X 0 0 0	35"	39 1/8"	3 7/8"	7/8"	6 9/16"	28 7/16"	9 1/8"	2 15/16"	5/8"	16 1/2"	17 1/2"	17 1/2"	302.5	341.4	36 1/8" X 39 5/16" X 42 3/4"
25HCB660	0	X 0 0 0	35"	45 15/16"	3 7/8"	7/8"	6 9/16"	28 7/16"	9 1/8"	2 15/16"	5/8"	16 1/2"	18"	19 1/2"	348.5	389.0	36 1/8" X 39 5/16" X 49 9/16"

208-230-160	208/230-3-60	460-3-60
-------------	--------------	----------

X = YES
0 = NO

NOTES:

1. ALLOW 24" CLEARANCE TO SERVICE SIDE OF UNIT.
48" ABOVE UNIT, 6" ON ONE SIDE, 12" ON REMAINING SIDE,
AND 24" BETWEEN UNITS FOR PROPER AIRFLOW.
2. MINIMUM OUTDOOR OPERATING AMBIENT IN COOLING
MODE IS 55°F, MAX. 125°F.
3. SERIES DESIGNATION IS THE 13TH POSITION OF THE
UNIT MODEL NUMBER.
4. CENTER OF GRAVITY 
5. ALL DIMENSIONS ARE IN "INCHES" UNLESS NOTED.




UNIT SIZE	MINIMUM MOUNTING PAD DIMENSIONS
-	28" X 28"
-	31 1/2" X 31 1/2"
24 THRU 60	35" X 35"

DIMENSIONS - SI

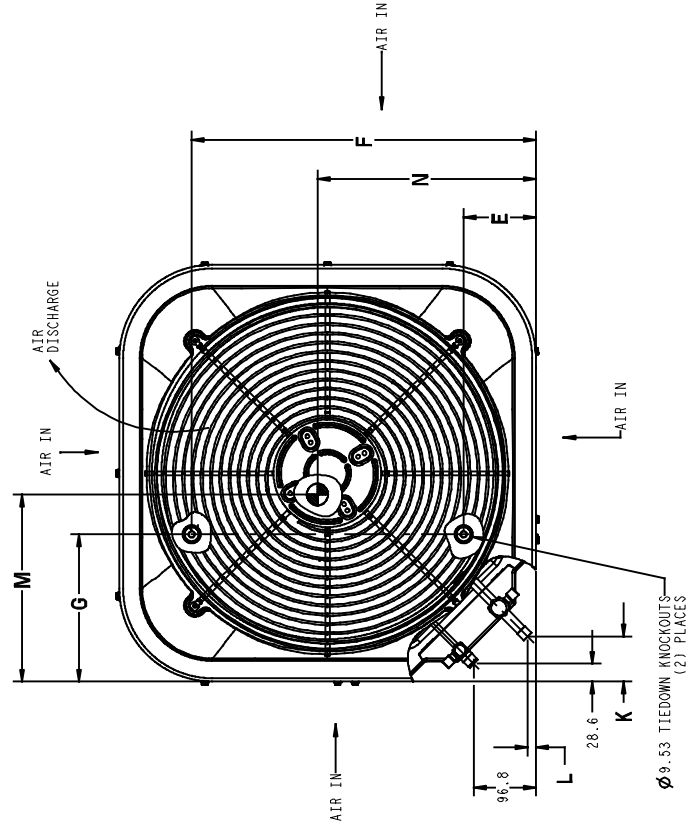
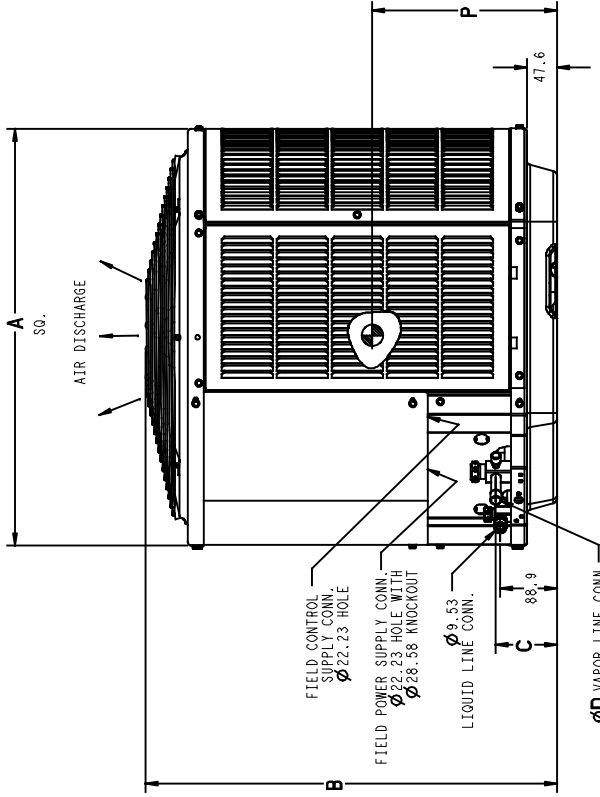
UNIT	SERIES	ELECTRICAL CHARACTERISTICS	A	B	C	D	E	F	G	K	L	M	N	P	OPERATING WEIGHT (Kgs)	SHIPPING WEIGHT (Kgs)	SHIPPING DIMENSIONS (L x W x H)
25HCB624	0	X 0 0 0	889.0	908.0	95.2	19.1	166.7	722.3	231.8	71.4	12.7	406.4	368.3	393.7	127.5	144.3	917.6 X 998.6 X 1000.1
25HCB636	0	X 0 0 0	889.0	993.8	98.4	22.2	166.7	722.3	231.8	74.6	15.9	412.8	393.7	469.9	136.2	153.0	917.6 X 998.6 X 1085.8
25HCB648	0	X 0 0 0	889.0	993.8	98.4	22.2	166.7	722.3	231.8	74.6	15.9	419.1	444.5	444.5	137.5	155.2	917.6 X 998.6 X 1085.8
25HCB660	0	X 0 0 0	889.0	1166.8	98.4	22.2	166.7	722.3	231.8	74.6	15.9	419.1	457.2	495.3	158.4	176.8	917.6 X 998.6 X 1258.9

NOTES:

1. ALLOW 609.6 CLEARANCE TO SERVICE SIDE OF UNIT, 1219.2 ABOVE UNIT, 152.4 ON ONE SIDE, 304.8 ON REMAINING SIDE, AND 609.6 BETWEEN UNITS FOR PROPER AIRFLOW.
2. MINIMUM OUTDOOR OPERATING AMBIENT IN COOLING MODE IS 13°C, MAX. 52°C.
3. SERIES DESIGNATION IS THE 13TH POSITION OF THE UNIT MODEL NUMBER.
4. CENTER OF GRAVITY .
5. ALL DIMENSIONS ARE IN "MM" UNLESS NOTED.

X = YES
O = NO

208-230-160	230-160	208/230-360	460-360
-------------	---------	-------------	---------

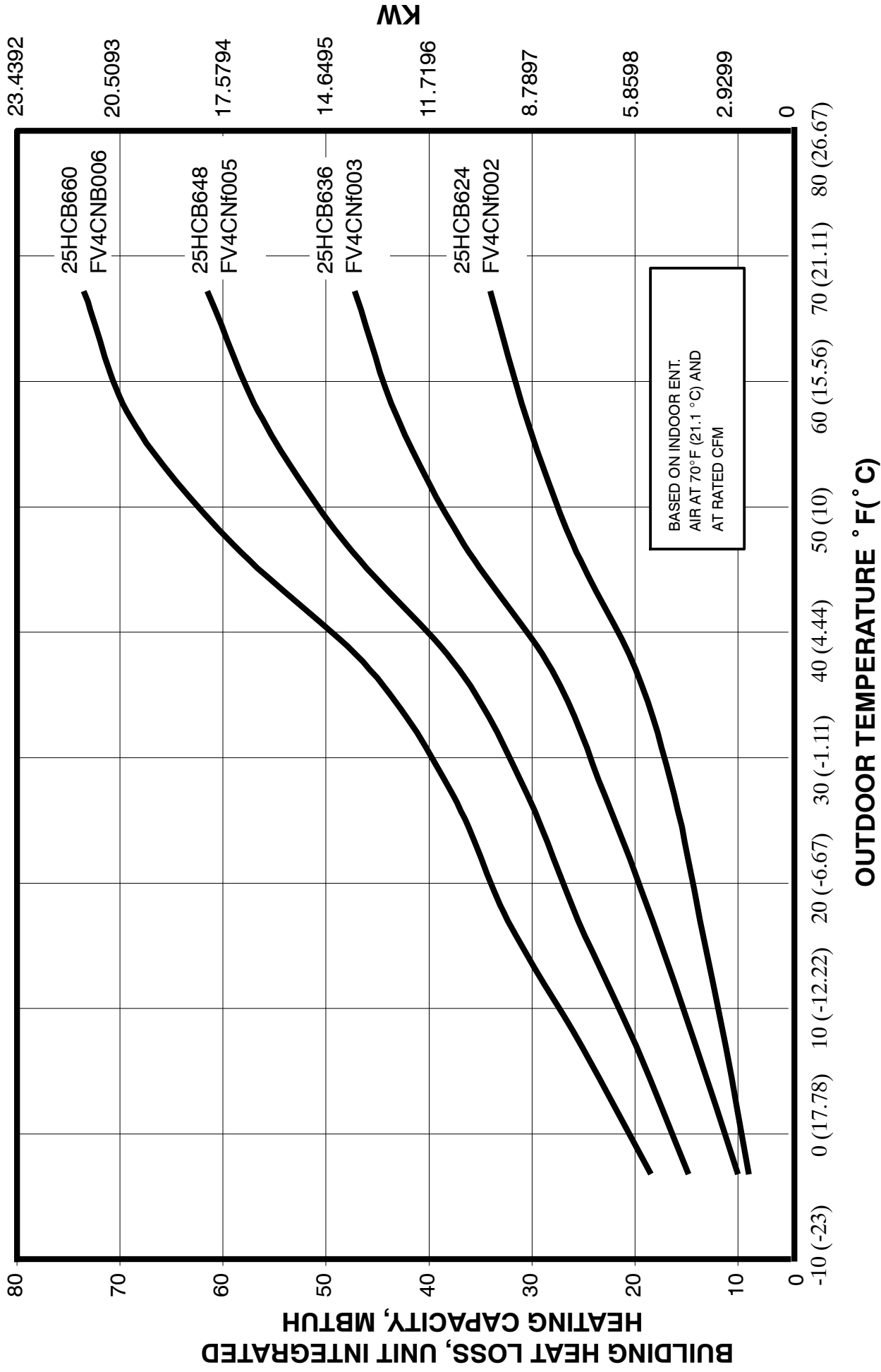


UNIT SIZE	MINIMUM MOUNTING PAD DIMENSIONS
-	660.4 X 660.4
-	800.1 X 800.1
24 THRU 60	889.0 X 889.0

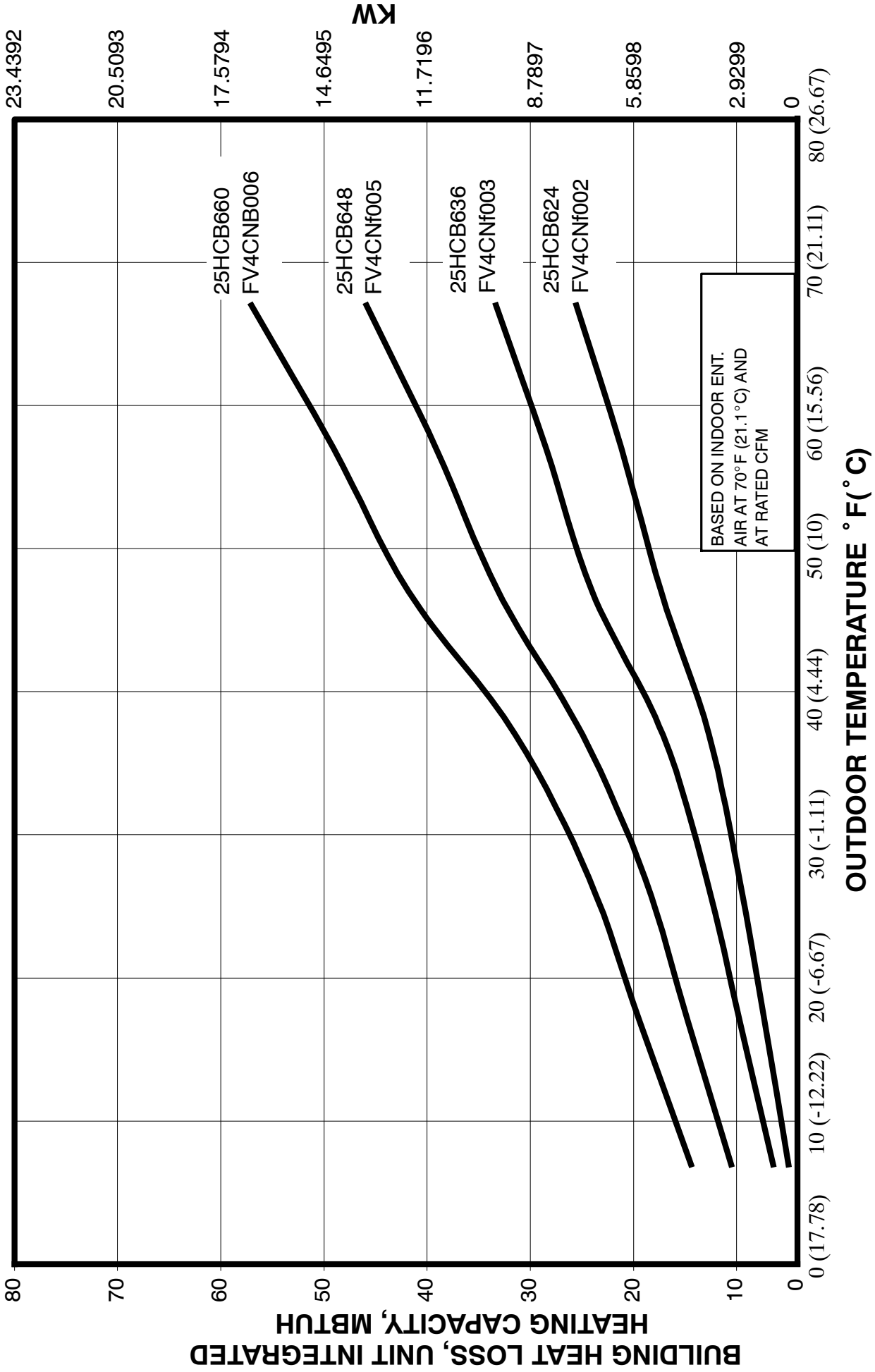
25HCB6

25HCB6

25HCB6 BALANCE POINT WORKSHEET - HIGH STAGE



25HCB6 BALANCE POINT WORKSHEET - LOW STAGE



25HCB6

COMBINATION RATINGS

AHRI Ref. No.	Model Number	Coil Model Number	Furnace Model Number	Cooling Capacity	Cooling				AHRI Standard Ratings				
					SEER	ID CFM		High Temp		HSPF	Low Temp		
						High	Low	E Capacity	H Capacity		E COP	H COP	
3493881	25HCB624A30	†FV4CNF002		23,200	12.6	16.0	700	560	26,600	3.18	9.0	16,100	2.82
3493915	25HCB624A30	CAP**2414A**	58CV(A,X)070-12	22,800	12.2	15.5	660	495	26,400	3.06	8.5	16,100	2.74
3493977	25HCB624A30	CAP**2414A**	58PH*045-08	23,000	12.3	15.5	710	580	26,600	3.08	8.7	16,200	2.76
3493925	25HCB624A30	CAP**2414A**	59*P5A040E14**10	22,600	11.3	14.8	775	525	26,800	2.96	8.5	16,800	2.64
3493903	25HCB624A30	CAP**2414A**+TDR		22,600	11.2	13.5	700	560	27,000	2.92	8.5	16,700	2.60
3493921	25HCB624A30	CAP**2417A**	58CV(A,X)070-12	22,800	12.3	15.5	660	495	26,400	3.06	8.5	16,000	2.76
3493922	25HCB624A30	CAP**2417A**	58CV(A,X)090-16	23,000	12.5	15.5	670	505	26,400	3.08	8.5	16,000	2.78
3618634	25HCB624A30	CAP**2417A**	58ME(B,C)040-12	23,400	12.7	16.0	765	655	26,600	3.16	9.1	16,200	2.84
3493983	25HCB624A30	CAP**2417A**	58ME(B,C)060-12	23,600	12.7	16.0	780	625	26,600	3.16	9.0	16,300	2.84
3493984	25HCB624A30	CAP**2417A**	58ME(B,C)080-12	23,400	12.7	16.0	750	750	26,600	3.14	9.2	16,200	2.82
3493982	25HCB624A30	CAP**2417A**	58ME(B,C)040-12	23,400	12.7	16.0	765	655	26,600	3.16	9.1	16,200	2.84
3493917	25HCB624A30	CAP**2417A**	58MV(B,C)060-14	23,200	12.5	15.5	725	500	26,600	3.12	8.5	16,200	2.80
3493981	25HCB624A30	CAP**2417A**	58PH*045-08	23,200	12.3	16.0	725	585	26,600	3.10	8.7	16,200	2.78
3757728	25HCB624A30	CAP**2417A**	58UVB060-14	23,200	12.5	15.5	725	500	26,600	3.12	8.5	16,200	2.80
3513958	25HCB624A30	CAP**2417A**	58VLR105-12	23,200	12.5	16.0	715	585	26,600	3.12	8.8	16,100	2.80
3513956	25HCB624A30	CAP**2417A**	58VMR105-12	22,800	12.3	15.5	660	520	26,400	3.06	8.5	16,000	2.76
4790948	25HCB624A30	CAP**2417A**	59*N*A060V17**14	22,400	12.1	15.2	675	505	26,200	3.04	8.5	16,100	2.74
4790949	25HCB624A30	CAP**2417A**	59*N*A060V17**14	22,400	12.2	15.3	650	490	26,000	3.04	8.5	16,000	2.72
4790826	25HCB624A30	CAP**2417A**	59*P5A040E14**10	22,600	11.3	14.8	785	530	26,800	2.96	8.5	16,800	2.66
3493904	25HCB624A30	CAP**2417A**+TDR		22,800	11.2	13.5	700	560	27,000	2.92	8.5	16,700	2.60
3493925	25HCB624A30	CAP**3014A**	58CV(A,X)070-12	22,800	12.3	15.5	660	495	26,400	3.04	8.5	16,100	2.76
3493985	25HCB624A30	CAP**3014A**	58PH*045-08	23,200	12.3	15.5	720	585	26,600	3.08	9.0	16,300	2.80
4790827	25HCB624A30	CAP**3014A**	58PH*045-08	22,600	11.3	14.8	780	530	26,800	2.94	8.2	16,800	2.66
3493905	25HCB624A30	CAP**3014A**+TDR		22,600	11.2	13.5	700	560	27,000	2.90	8.5	16,700	2.62
3493831	25HCB624A30	CAP**3017A**	58CV(A,X)070-12	22,800	12.3	15.5	660	495	26,400	3.06	8.5	16,000	2.78
3493932	25HCB624A30	CAP**3017A**	58CV(A,X)090-16	23,000	12.5	15.5	670	505	26,400	3.08	8.6	16,000	2.80
3618635	25HCB624A30	CAP**3017A**	58ME(B,C)040-12	23,800	12.8	16.0	785	680	26,600	3.14	9.2	16,300	2.88
3493991	25HCB624A30	CAP**3017A**	58ME(B,C)060-12	23,600	12.8	16.0	795	650	26,600	3.16	9.2	16,300	2.88
3493992	25HCB624A30	CAP**3017A**	58ME(B,C)080-12	23,400	12.8	16.0	760	760	26,600	3.14	9.3	16,200	2.86
3493980	25HCB624A30	CAP**3017A**	58ME(B,C)040-12	23,600	12.8	16.0	785	680	26,600	3.14	9.2	16,300	2.88
3493927	25HCB624A30	CAP**3017A**	58MV(B,C)060-14	23,200	12.5	15.5	725	500	26,600	3.12	8.5	16,200	2.84
3493989	25HCB624A30	CAP**3017A**	58PH*045-08	23,200	12.4	16.0	735	595	26,600	3.08	9.0	16,300	2.80
3757729	25HCB624A30	CAP**3017A**	58UVB060-14	23,200	12.5	15.5	725	500	26,600	3.12	8.5	16,200	2.84
3513964	25HCB624A30	CAP**3017A**	58VLR105-12	23,200	12.6	16.0	715	585	26,600	3.10	9.0	16,200	2.82
3513959	25HCB624A30	CAP**3017A**	58VMR105-12	22,800	12.4	15.5	660	520	26,400	3.06	8.6	16,000	2.78
4790850	25HCB624A30	CAP**3017A**	59*N*A060V17**14	22,400	12.2	15.3	675	505	26,000	3.04	8.6	16,100	2.76
4790851	25HCB624A30	CAP**3017A**	59*N*A060V17**14	22,400	12.0	15.3	650	490	26,000	3.04	8.6	16,000	2.76
4790828	25HCB624A30	CAP**3017A**	59*P5A040E14**10	22,800	11.3	14.8	795	540	26,800	2.96	8.6	16,800	2.68
4213473	25HCB624A30	CAP**3017A**	OVLAAB036098	23,400	12.0	15.7	865	530	26,600	3.08	8.8	16,600	2.84
4213472	25HCB624A30	CAP**3017A**	OVMAAB036098	22,800	12.2	15.7	725	550	26,200	3.08	8.8	16,300	2.80
4213487	25HCB624A30	CAP**3017A**	OVMAAB042112	22,800	12.5	16.0	690	580	26,000	3.10	9.0	16,100	2.82
3493906	25HCB624A30	CAP**3017A**+TDR		22,600	11.2	13.5	700	560	27,000	2.90	8.5	16,700	2.62
3493935	25HCB624A30	CAP**3614A**	58CV(A,X)070-12	22,800	12.3	15.5	660	495	26,400	3.08	8.6	16,100	2.78
3493993	25HCB624A30	CAP**3614A**	58PH*045-08	23,200	12.4	16.0	725	590	26,600	3.10	9.0	16,300	2.80
4790829	25HCB624A30	CAP**3614A**	59*P5A040E14**10	22,800	11.3	14.8	785	535	26,800	2.98	8.6	16,800	2.68
3493907	25HCB624A30	CAP**3614A**+TDR		22,800	11.2	13.5	700	560	27,000	2.92	8.5	16,700	2.62
3493941	25HCB624A30	CAP**3617A**	58CV(A,X)070-12	22,800	12.4	15.5	660	495	26,400	3.08	8.6	16,100	2.78
3493942	25HCB624A30	CAP**3617A**	58CV(A,X)090-16	23,000	12.5	16.0	670	505	26,400	3.10	8.6	16,000	2.82
3618636	25HCB624A30	CAP**3617A**	58ME(B,C)040-12	23,600	12.8	16.0	790	695	26,800	3.18	9.3	16,300	2.90
3493998	25HCB624A30	CAP**3617A**	58ME(B,C)040-12	23,600	12.8	16.0	790	695	26,800	3.18	9.3	16,300	2.90
3493937	25HCB624A30	CAP**3617A**	58MV(B,C)060-14	23,400	12.6	15.5	725	500	26,600	3.14	8.7	16,200	2.84
3493997	25HCB624A30	CAP**3617A**	58PH*045-08	23,400	12.4	16.0	740	600	26,800	3.12	9.0	16,300	2.82
3757730	25HCB624A30	CAP**3617A**	58UVB060-14	23,400	12.6	15.5	725	500	26,600	3.14	8.7	16,200	2.84

COMBINATION RATINGS CONTINUED

AHRI Ref. No.	Model Number	Coil Model Number	Furnace Model Number	Cooling Capacity	Cooling				AHRI Standard Ratings				
					SEER	ID CFM		High Temp		HSPF	Low Temp		
						High	Low	E Capacity	H Capacity		E COP	H COP	
3513967	25HCB624A30	CAP**3617A**	58VLR105-12	23,200	12.6	16.0	715	585	26,600	3.14	9.0	16,200	2.84
3513968	25HCB624A30	CAP**3617A**	58VLR105-12	22,800	12.5	16.0	660	520	26,400	3.08	8.7	16,000	2.80
4790852	25HCB624A30	CAP**3617A**	59*N*A080V17**14	22,800	12.2	15.4	675	505	26,200	3.06	8.6	16,100	2.76
4790853	25HCB624A30	CAP**3617A**	59*N*A080V17**14	22,400	12.3	15.4	650	490	26,000	3.06	8.6	16,000	2.76
4790830	25HCB624A30	CAP**3617A**	59*P5A040E14**10	22,800	11.4	15.0	800	500	26,000	2.98	8.6	16,900	2.68
4213485	25HCB624A30	CAP**3617A**	OVLAAB036098	23,400	12.2	15.7	865	530	26,600	3.12	8.8	16,600	2.86
4213484	25HCB624A30	CAP**3617A**	OVMAAB036098	22,800	12.2	15.7	725	550	26,200	3.10	8.8	16,300	2.80
4213488	25HCB624A30	CAP**3617A**	OVMAAB036098	22,800	12.5	16.2	690	580	26,000	3.12	9.0	16,100	2.82
3493908	25HCB624A30	CAP**3617A**+TDR	58HDV040--12	22,600	11.2	13.5	700	560	27,000	2.92	8.5	16,700	2.62
3493882	25HCB624A30	CAP**3619A**	58HDV060--12	23,400	12.2	16.0	765	595	26,800	3.10	9.0	16,500	2.80
3493883	25HCB624A30	CAP**3619A**	58HDV060--12	23,600	12.3	16.0	820	640	27,000	3.12	9.1	16,600	2.82
4790857	25HCB624A30	CAP**3617A**	59*N*A080V17**14	22,800	12.0	15.4	675	505	26,200	3.06	8.6	16,100	2.76
4790858	25HCB624A30	CAP**3619A**	59*N*A080V17**14	22,400	12.3	15.4	650	490	26,000	3.06	8.6	16,000	2.76
4213488	25HCB624A30	CAP**3619A**	OVLAAB036098	23,400	12.2	15.7	865	530	26,600	3.12	8.8	16,600	2.86
4213500	25HCB624A30	CAP**3619A**	OVMAAB036098	22,800	12.2	15.7	725	550	26,200	3.10	8.8	16,300	2.80
4213501	25HCB624A30	CAP**3619A**	OVMAAB042112	22,800	12.5	16.2	690	580	26,000	3.12	9.0	16,100	2.82
3493948	25HCB624A30	CAP**3621A**	58CV(A,X)090-16	23,000	12.6	16.0	670	505	26,400	3.12	8.6	16,000	2.82
3493949	25HCB624A30	CAP**3621A**	58CV(A,X)110-20	23,000	12.7	16.0	675	675	26,400	3.12	9.2	16,000	2.82
3493944	25HCB624A30	CAP**3621A**	58MV(B,C)060-14	23,400	12.7	16.0	725	500	26,600	3.16	8.7	16,100	2.86
3493945	25HCB624A30	CAP**3621A**	58MV(B,C)080-14	22,800	12.5	15.5	660	490	26,400	3.10	8.6	16,000	2.80
3493946	25HCB624A30	CAP**3621A**	58MV(B,C)080-20	22,600	12.5	16.0	630	630	26,200	3.06	9.2	15,900	2.76
3493947	25HCB624A30	CAP**3621A**	58MV(B,C)100-20	23,000	12.7	16.0	665	665	26,400	3.10	9.1	16,000	2.80
3757731	25HCB624A30	CAP**3621A**	58VVB080-14	23,400	12.7	16.0	725	500	26,600	3.16	8.7	16,100	2.86
3757732	25HCB624A30	CAP**3621A**	58VVB080-14	22,800	12.5	15.5	660	490	26,400	3.10	8.6	16,000	2.80
3757733	25HCB624A30	CAP**3621A**	58VVB080-20	22,600	12.5	16.0	630	630	26,200	3.06	9.2	15,900	2.76
3757734	25HCB624A30	CAP**3621A**	58VVB100-20	23,000	12.7	16.0	665	665	26,400	3.10	9.1	16,000	2.80
3513979	25HCB624A30	CAP**3621A**	58VLR105-12	23,200	12.6	16.0	715	585	26,600	3.14	9.0	16,100	2.84
3513982	25HCB624A30	CAP**3621A**	58VLR105-12	23,000	12.5	15.5	660	520	26,400	3.10	8.7	16,000	2.80
4790854	25HCB624A30	CAP**3621A**	59*N*A080V17**14	22,800	12.3	15.4	675	505	26,000	3.08	8.7	16,100	2.78
4790855	25HCB624A30	CAP**3621A**	59*N*A080V17**14	22,400	12.3	15.4	650	490	26,000	3.06	8.6	16,000	2.76
4790856	25HCB624A30	CAP**3621A**	59*N*A100V21**20	22,800	12.4	15.7	720	720	26,200	3.12	9.0	16,200	2.82
4213487	25HCB624A30	CAP**3621A**	OVLAAB036098	23,400	12.2	15.7	865	530	26,600	3.14	8.8	16,600	2.86
4213486	25HCB624A30	CAP**3621A**	OVMAAB036098	22,800	12.2	16.0	725	550	26,200	3.12	8.8	16,200	2.82
4213489	25HCB624A30	CAP**3621A**	OVMAAB042112	22,800	12.5	16.2	690	580	26,000	3.12	9.0	16,100	2.84
3493909	25HCB624A30	CAP**3621A**+TDR	58CV(A,X)070-12	22,600	11.2	13.5	700	560	27,000	2.92	8.5	16,700	2.62
3494024	25HCB624A30	CNP**2417A**	58CV(A,X)090-16	22,800	12.3	15.5	660	495	26,600	3.12	8.5	16,100	2.74
3494025	25HCB624A30	CNP**2417A**	58CV(A,X)110-20	23,000	12.4	15.5	670	505	26,600	3.16	8.6	16,100	2.78
3494026	25HCB624A30	CNP**2417A**	58CV(A,X)110-20	23,000	12.4	16.0	675	675	26,800	3.14	9.0	16,100	2.74
3874223	25HCB624A30	CNP**2417A**	58HDV040--12	23,000	12.0	15.5	715	550	27,000	3.12	8.7	16,400	2.74
3874224	25HCB624A30	CNP**2417A**	58HDV060--12	23,200	12.1	15.5	750	585	27,000	3.12	8.8	16,500	2.76
3874225	25HCB624A30	CNP**2417A**	58HDV080--20	23,600	12.3	16.0	825	650	27,200	3.16	9.0	16,600	2.80
3874226	25HCB624A30	CNP**2417A**	58HDV100--20	23,400	12.4	16.0	775	600	27,000	3.18	9.0	16,400	2.80
3620069	25HCB624A30	CNP**2417A**	58ME(B,C)060-12	23,400	12.6	16.0	735	575	26,800	3.20	8.8	16,200	2.82
3620068	25HCB624A30	CNP**2417A**	58MEB040-12	23,200	12.6	16.0	725	610	26,800	3.20	9.0	16,200	2.82
3665011	25HCB624A30	CNP**2417A**	58MV(B,C)060-14	23,200	12.4	15.5	725	500	26,800	3.18	8.5	16,300	2.80
3494021	25HCB624A30	CNP**2417A**	58MV(B,C)080-14	22,800	12.3	15.5	660	490	26,600	3.14	8.5	16,100	2.76
3494022	25HCB624A30	CNP**2417A**	58MV(B,C)080-20	22,600	12.4	16.0	630	630	26,600	3.10	8.8	16,000	2.74
3494023	25HCB624A30	CNP**2417A**	58MV(B,C)100-20	23,000	12.5	16.0	665	665	26,600	3.14	9.0	16,100	2.76
3513972	25HCB624A30	CNP**2417A**	58VLR105-12	22,800	12.2	15.5	660	520	26,600	3.12	8.6	16,100	2.74
4790872	25HCB624A30	CNP**2417A**	59*N*A080V17**14	22,400	12.0	15.2	675	505	26,400	3.10	8.6	16,200	2.72
4790873	25HCB624A30	CNP**2417A**	59*N*A080V17**14	22,400	12.1	15.3	650	490	26,200	3.10	8.5	16,100	2.72
4790874	25HCB624A30	CNP**2417A**	59*N*A100V21**20	22,800	12.0	15.2	720	720	26,400	3.14	8.8	16,300	2.76
4790875	25HCB624A30	CNP**2417A**	59*N*A120V24**22	22,800	12.3	15.5	700	700	26,400	3.14	8.8	16,200	2.76

See notes on pg. 35

COMBINATION RATINGS CONTINUED

AHRI Ref. No.	Model Number	Coil Model Number	Furnace Model Number	Cooling Capacity	Cooling				AHRI Standard Ratings				
					SEER	ID CFM		High Temp		HSPF	Low Temp		
						High	Low	E Capacity	H Capacity		E COP	H COP	
4790839	25HCB624A30	CNPH*2417A**	59*P5A040E14**10	22,800	11.3	14.8	765	515	27,000	3.02	8.5	16,800	2.64
4790840	25HCB624A30	CNPH*2417A**	59*P5A060E17**14	23,400	11.9	15.4	865	670	27,000	3.10	9.0	16,800	2.76
3494030	25HCB624A30	CNPH*3017A**	58CV(A,X)070-12	22,800	12.4	15.5	660	495	26,400	3.06	8.6	16,100	2.78
3494031	25HCB624A30	CNPH*3017A**	58CV(A,X)090-16	23,000	12.5	15.6	670	505	26,400	3.08	8.6	16,000	2.80
3494032	25HCB624A30	CNPH*3017A**	58CV(A,X)110-20	23,000	12.5	16.0	675	505	26,400	3.08	9.1	16,100	2.80
3874227	25HCB624A30	CNPH*3017A**	58HDV040--12	23,200	12.2	15.5	750	585	26,800	3.06	8.9	16,400	2.78
3874228	25HCB624A30	CNPH*3017A**	58HDV060--12	23,600	12.3	16.0	805	630	27,000	3.08	9.0	16,500	2.82
3874229	25HCB624A30	CNPH*3017A**	58HDV080--20	24,000	12.5	16.0	895	710	27,000	3.12	9.3	16,600	2.88
3874230	25HCB624A30	CNPH*3017A**	58HDV100--20	23,800	12.6	16.0	845	655	26,800	3.14	9.2	16,500	2.88
3620071	25HCB624A30	CNPH*3017A**	58ME(B,C)060-12	23,600	12.8	16.0	790	645	26,600	3.16	9.0	16,300	2.88
3620070	25HCB624A30	CNPH*3017A**	58MEB040-12	23,600	12.8	16.0	775	625	26,600	3.16	9.0	16,300	2.88
3665012	25HCB624A30	CNPH*3017A**	58MV(B,C)060-14	23,200	12.5	15.5	725	500	26,600	3.12	8.5	16,200	2.84
3494027	25HCB624A30	CNPH*3017A**	58MV(B,C)080-14	22,800	12.4	15.5	660	490	26,400	3.08	8.5	16,000	2.78
3494028	25HCB624A30	CNPH*3017A**	58MV(B,C)080-20	22,600	12.4	16.0	630	630	26,200	3.04	9.2	16,000	2.76
3494029	25HCB624A30	CNPH*3017A**	58MV(B,C)100-20	22,800	12.6	16.0	665	665	26,400	3.08	9.0	16,000	2.80
3513973	25HCB624A30	CNPH*3017A**	58VMR105-12	22,800	12.4	15.5	660	520	26,400	3.06	8.7	16,000	2.78
4790876	25HCB624A30	CNPH*3017A**	59*N*A060V17**14	22,400	12.2	15.3	675	505	26,000	3.04	8.6	16,100	2.76
4790877	25HCB624A30	CNPH*3017A**	59*N*A080V17**14	22,400	12.2	15.3	650	490	26,000	3.04	8.6	16,000	2.76
4790878	25HCB624A30	CNPH*3017A**	59*N*A100V21**20	22,800	12.3	15.6	720	720	26,200	3.08	9.0	16,200	2.80
4790879	25HCB624A30	CNPH*3017A**	59*N*A120V24**22	22,800	12.2	15.7	700	700	26,200	3.08	9.0	16,200	2.80
4790841	25HCB624A30	CNPH*3017A**	59*P5A040E14**10	22,800	11.3	14.8	790	540	26,800	2.96	8.6	16,800	2.68
4213479	25HCB624A30	CNPH*3017A**	OVLAAB036098	23,400	12.0	15.7	865	530	26,600	3.08	8.8	16,700	2.84
4213478	25HCB624A30	CNPH*3017A**	OVMAAB036098	22,800	12.2	15.7	725	550	26,200	3.08	8.8	16,300	2.80
4213510	25HCB624A30	CNPH*3017A**	OVMAAB042112	22,600	12.5	16.0	690	580	26,000	3.10	9.0	16,100	2.82
3874231	25HCB624A30	CNPH*3117A**	58HDV040--12	23,400	12.3	16.0	760	595	27,200	3.20	9.1	16,500	2.84
3874232	25HCB624A30	CNPH*3117A**	58HDV060--12	23,800	12.4	16.0	815	640	27,200	3.22	9.3	16,600	2.88
3874233	25HCB624A30	CNPH*3117A**	58HDV100--20	24,200	12.8	16.5	860	670	27,200	3.26	9.4	16,600	2.94
3620068	25HCB624A30	CNPH*3117A**	58ME(B,C)060-12	23,800	12.9	16.5	800	620	27,000	3.28	9.5	16,400	2.94
3620067	25HCB624A30	CNPH*3117A**	58MEB040-12	23,800	13.0	16.5	790	690	27,000	3.30	9.5	16,400	2.94
3665013	25HCB624A30	CNPH*3117A**	58MV(B,C)060-14	23,400	12.7	15.5	725	500	26,800	3.26	8.6	16,300	2.90
4790880	25HCB624A30	CNPH*3117A**	59*N*A060V17**14	22,600	12.3	15.4	675	505	26,400	3.20	8.8	16,200	2.80
4790881	25HCB624A30	CNPH*3117A**	59*N*A080V17**14	22,600	12.2	15.4	650	490	26,400	3.20	8.8	16,100	2.80
4790882	25HCB624A30	CNPH*3117A**	59*N*A100V21**20	23,000	12.2	15.8	720	720	26,600	3.22	9.0	16,300	2.86
4790883	25HCB624A30	CNPH*3117A**	59*N*A120V24**22	22,800	12.2	15.7	700	700	26,400	3.24	9.0	16,200	2.84
4790842	25HCB624A30	CNPH*3117A**	59*P5A040E14**10	23,000	11.5	15.0	800	545	27,200	3.08	8.8	16,900	2.72
4213481	25HCB624A30	CNPH*3117A**	OVLAAB036098	23,600	12.2	15.7	865	530	26,800	3.20	9.0	16,700	2.90
4213480	25HCB624A30	CNPH*3117A**	OVMAAB036098	23,000	12.2	16.0	725	550	26,600	3.22	9.0	16,400	2.86
3494036	25HCB624A30	CNPH*3617A**	58CV(A,X)070-12	22,800	12.5	16.2	690	580	26,400	3.24	9.0	16,200	2.88
3874234	25HCB624A30	CNPH*3617A**	58HDV040--12	22,800	12.4	15.5	660	495	26,400	3.06	8.6	16,100	2.78
3874235	25HCB624A30	CNPH*3617A**	58HDV060--12	23,200	12.5	15.5	750	585	26,800	3.06	8.9	16,400	2.78
3874236	25HCB624A30	CNPH*3617A**	58HDV080--20	23,600	12.3	16.0	805	630	27,000	3.08	9.0	16,500	2.82
3874237	25HCB624A30	CNPH*3617A**	58HDV100--20	24,000	12.5	16.0	895	710	27,000	3.12	9.3	16,600	2.88
3493885	25HCB624A30	CNPH*3617A**	58ME(B,C)060-12	23,600	12.7	16.0	790	645	26,600	3.16	9.2	16,500	2.88
3493886	25HCB624A30	CNPH*3617A**	58ME(B,C)080-12	23,400	12.7	16.0	755	645	26,600	3.16	9.2	16,300	2.86
3620072	25HCB624A30	CNPH*3617A**	58MEB040-12	23,600	12.8	16.0	775	675	26,600	3.16	9.0	16,300	2.88
3665014	25HCB624A30	CNPH*3617A**	58MV(B,C)060-14	23,200	12.5	15.5	725	500	26,600	3.12	8.5	16,200	2.84
3494033	25HCB624A30	CNPH*3617A**	58MV(B,C)080-14	22,800	12.4	15.5	660	490	26,400	3.08	8.6	16,000	2.78
3494034	25HCB624A30	CNPH*3617A**	58MV(B,C)080-20	22,600	12.4	16.0	630	630	26,200	3.04	9.2	16,000	2.76
3494035	25HCB624A30	CNPH*3617A**	58MV(B,C)100-20	22,800	12.6	16.0	665	665	26,400	3.08	9.0	16,000	2.80
3513974	25HCB624A30	CNPH*3617A**	58VMR105-12	22,800	12.4	15.5	660	520	26,400	3.06	8.7	16,000	2.78
4790884	25HCB624A30	CNPH*3617A**	59*N*A060V17**14	22,400	12.2	15.3	675	505	26,000	3.04	8.6	16,100	2.76
4790885	25HCB624A30	CNPH*3617A**	59*N*A080V17**14	22,400	12.2	15.3	650	490	26,000	3.04	8.6	16,000	2.76

COMBINATION RATINGS CONTINUED

AHRI Ref. No.	Model Number	Coil Model Number	Furnace Model Number	Cooling Capacity	Cooling				AHRI Standard Ratings				
					SEER	ID CFM		High Temp		HSPF	Low Temp		
						EER	High	Low	E Capacity		H Capacity	H COP	
4790886	25HCB624A30	CNPH*3617A**	59*N*A100V21**20	22,800	12.0	15.6	720	720	26,200	3.08	9.0	16,200	2.80
4790887	25HCB624A30	CNPH*3617A**	59*N*A120V24**22	22,600	12.2	15.7	700	700	26,200	3.08	9.0	16,200	2.80
4790843	25HCB624A30	CNPH*3617A**	59*P5A040E14**10	22,800	11.3	14.8	790	790	26,800	2.96	8.6	16,800	2.68
4213484	25HCB624A30	CNPH*3617A**	OVLAA036098	23,400	12.0	15.7	865	865	26,600	3.08	8.8	16,700	2.84
4213493	25HCB624A30	CNPH*3617A**	OVLAA036098	22,800	12.2	15.7	725	725	26,200	3.08	8.8	16,300	2.80
4213512	25HCB624A30	CNPH*3617A**	OVLAA042112	22,800	12.5	16.0	690	690	26,000	3.10	9.0	16,100	2.82
3493951	25HCB624A30	CNPV*2414A**	58CV(A.X)070-12	22,800	12.2	15.5	660	660	26,000	3.12	8.6	16,100	2.74
4790831	25HCB624A30	CNPV*2414A**	59*P5A040E14**10	22,800	11.2	14.8	765	765	27,000	3.02	8.2	16,800	2.64
3493910	25HCB624A30	CNPV*2414A**+TDR		22,600	11.2	13.5	700	700	27,200	2.98	8.5	16,700	2.60
3493957	25HCB624A30	CNPV*2417A**	58CV(A.X)070-12	22,800	12.3	15.5	660	660	26,600	3.12	8.5	16,100	2.74
3493958	25HCB624A30	CNPV*2417A**	58CV(A.X)090-16	23,000	12.4	15.5	670	670	26,600	3.16	8.6	16,100	2.78
3620074	25HCB624A30	CNPV*2417A**	58ME(B.C)060-12	23,400	12.5	16.0	735	735	26,800	3.20	8.8	16,200	2.82
3620073	25HCB624A30	CNPV*2417A**	58ME(B.C)060-12	23,200	12.6	16.0	725	725	26,800	3.20	9.0	16,200	2.82
3493953	25HCB624A30	CNPV*2417A**	58MV(B.C)060-14	23,200	12.4	15.5	725	725	26,800	3.18	8.6	16,300	2.80
3758996	25HCB624A30	CNPV*2417A**	58UVB060-14	23,200	12.4	15.5	725	725	26,800	3.18	8.6	16,300	2.80
3513980	25HCB624A30	CNPV*2417A**	58VLR105-12	23,200	12.4	16.0	715	715	26,800	3.18	8.9	16,200	2.80
3513965	25HCB624A30	CNPV*2417A**	58VMR105-12	22,800	12.2	15.6	660	660	26,600	3.12	8.6	16,100	2.74
4790859	25HCB624A30	CNPV*2417A**	59*N*A060V17**14	22,400	12.0	15.2	675	675	26,400	3.10	8.6	16,200	2.72
4790860	25HCB624A30	CNPV*2417A**	59*N*A080V17**14	22,400	12.1	15.3	650	650	26,200	3.10	8.5	16,100	2.72
4790832	25HCB624A30	CNPV*2417A**	59*P5A040E14**10	22,800	11.3	14.8	765	765	27,000	3.02	8.5	16,800	2.64
4790833	25HCB624A30	CNPV*2417A**	59*P5A080E17**14	23,400	11.9	15.5	865	865	27,000	3.10	9.0	16,800	2.76
4213502	25HCB624A30	CNPV*2417A**	OVLAA042112	22,800	12.2	16.0	690	690	26,400	3.16	8.8	16,100	2.78
3493911	25HCB624A30	CNPV*2417A**+TDR		22,600	11.2	13.5	700	700	27,200	2.98	8.5	16,700	2.60
3493961	25HCB624A30	CNPV*3014A**	58CV(A.X)070-12	22,800	12.2	15.5	660	660	26,400	3.06	8.6	16,100	2.60
4790834	25HCB624A30	CNPV*3014A**	59*P5A040E14**10	22,800	11.2	14.8	770	770	26,800	2.94	8.5	16,800	2.66
3493912	25HCB624A30	CNPV*3014A**+TDR		22,600	11.2	13.5	700	700	27,000	2.90	8.5	16,700	2.62
3493967	25HCB624A30	CNPV*3017A**	58CV(A.X)070-12	22,800	12.3	15.5	660	660	26,400	3.06	8.6	16,100	2.78
3493968	25HCB624A30	CNPV*3017A**	58CV(A.X)090-16	23,000	12.5	15.5	675	675	26,400	3.08	8.6	16,000	2.80
3620076	25HCB624A30	CNPV*3017A**	58ME(B.C)060-12	23,600	12.7	16.3	790	790	26,600	3.16	9.2	16,300	2.88
3620075	25HCB624A30	CNPV*3017A**	58ME(B.C)060-12	23,600	12.7	16.3	775	775	26,600	3.16	9.0	16,300	2.88
3493963	25HCB624A30	CNPV*3017A**	58MV(B.C)060-14	23,200	12.5	15.5	725	725	26,600	3.12	8.7	16,200	2.84
3758997	25HCB624A30	CNPV*3017A**	58UVB060-14	23,200	12.5	15.5	725	725	26,600	3.12	8.7	16,200	2.84
3513981	25HCB624A30	CNPV*3017A**	58VLR105-12	23,200	12.5	16.0	715	715	26,600	3.12	9.0	16,200	2.82
3513966	25HCB624A30	CNPV*3017A**	58VMR105-12	22,800	12.4	15.5	660	660	26,400	3.06	8.7	16,000	2.78
4790861	25HCB624A30	CNPV*3017A**	59*N*A060V17**14	22,400	12.2	15.3	675	675	26,000	3.04	8.6	16,100	2.76
4790862	25HCB624A30	CNPV*3017A**	59*N*A080V17**14	22,400	12.2	15.3	650	650	26,000	3.04	8.6	16,000	2.76
4790835	25HCB624A30	CNPV*3017A**	59*P5A040E14**10	22,800	11.3	14.8	790	790	26,800	2.96	8.6	16,800	2.68
4213475	25HCB624A30	CNPV*3017A**	OVLAA036098	23,400	12.0	15.7	865	865	26,600	3.08	8.8	16,700	2.84
4213474	25HCB624A30	CNPV*3017A**	OVLAA036098	22,800	12.2	15.7	725	725	26,200	3.08	8.8	16,300	2.80
4213503	25HCB624A30	CNPV*3017A**	OVLAA042112	22,600	12.5	16.0	690	690	26,000	3.10	9.0	16,100	2.82
3493989	25HCB624A30	CNPV*3017A**+TDR		23,200	11.2	13.5	840	840	27,400	2.92	8.4	17,100	2.66
3494001	25HCB624A30	CNPV*3117A**	58CV(A.X)070-12	23,000	12.5	15.5	660	660	26,800	3.22	8.8	16,100	2.82
3494002	25HCB624A30	CNPV*3117A**	58CV(A.X)090-16	23,000	12.5	16.0	670	670	26,800	3.24	8.8	16,100	2.86
3620078	25HCB624A30	CNPV*3117A**	58ME(B.C)060-12	23,800	12.9	16.3	800	800	27,000	3.28	9.3	16,400	2.94
3620077	25HCB624A30	CNPV*3117A**	58ME(B.C)060-12	23,800	12.9	16.5	785	785	27,000	3.30	9.5	16,400	2.94
3493970	25HCB624A30	CNPV*3117A**	58MV(B.C)060-14	23,400	12.7	16.0	725	725	26,800	3.26	9.0	16,300	2.90
3758998	25HCB624A30	CNPV*3117A**	58UVB060-14	23,400	12.7	16.0	725	725	26,800	3.26	9.0	16,300	2.90
4790863	25HCB624A30	CNPV*3117A**	59*N*A060V17**14	22,800	12.3	15.4	675	675	26,400	3.20	8.8	16,200	2.80
4790864	25HCB624A30	CNPV*3117A**	59*N*A080V17**14	22,800	12.3	15.4	650	650	26,400	3.20	8.8	16,100	2.80
4790836	25HCB624A30	CNPV*3117A**	59*P5A040E14**10	23,000	11.4	15.0	795	795	27,200	3.08	8.8	16,900	2.72
4213477	25HCB624A30	CNPV*3117A**	OVLAA036098	23,600	12.2	15.7	865	865	26,800	3.20	9.0	16,700	2.90
4213476	25HCB624A30	CNPV*3117A**	OVLAA036098	23,000	12.2	16.0	725	725	26,600	3.22	9.0	16,400	2.86
4213504	25HCB624A30	CNPV*3117A**	OVLAA042112	22,800	12.5	16.2	690	690	26,400	3.24	9.0	16,200	2.88

See notes on pg. 35



25HCB6

COMBINATION RATINGS CONTINUED

AHRI Ref. No.	Model Number	Coil Model Number	Furnace Model Number	Cooling Capacity	Cooling				AHRI Standard Ratings			
					SEER	ID CFM		High Temp		HSPF	Low Temp	
						High	Low	E Capacity	H Capacity		E COP	H COP
3493913	25HCB624A30	CNPV*3117A**+TDR	58CV(A)X070-12	22,800	11.3	700	560	27,400	8.5	16,800	2.66	
3494007	25HCB624A30	CNPV*3617A**	58CV(A)X090-16	22,800	12.4	15.5	660	26,400	8.5	16,100	2.78	
3494008	25HCB624A30	CNPV*3617A**	58CV(A)X090-16	23,000	12.5	15.5	670	26,400	8.6	16,000	2.80	
3620080	25HCB624A30	CNPV*3617A**	58ME(B)C060-12	23,600	12.7	16.2	790	26,600	9.2	16,300	2.88	
3620079	25HCB624A30	CNPV*3617A**	58ME(B)C060-12	23,800	12.7	16.3	775	26,600	9.2	16,300	2.88	
3513983	25HCB624A30	CNPV*3617A**	58VLR105-12	23,200	12.5	16.0	715	26,600	9.0	16,200	2.82	
3513969	25HCB624A30	CNPV*3617A**	58VLR105-12	22,800	12.4	15.5	660	26,000	8.7	16,000	2.78	
4790865	25HCB624A30	CNPV*3617A**	59*N*A060V17**+14	22,400	12.2	15.3	675	26,000	8.6	16,100	2.76	
4790866	25HCB624A30	CNPV*3617A**	59*N*A060V17**+14	22,400	12.0	15.3	650	26,000	8.6	16,000	2.76	
4790837	25HCB624A30	CNPV*3617A**	59*P5A040E14**+10	22,800	11.3	14.8	790	26,800	8.6	16,800	2.68	
4213506	25HCB624A30	CNPV*3617A**	OVLAA036098	22,800	12.2	15.5	720	26,200	8.8	16,200	2.82	
25HCB624A30	25HCB624A30	CNPV*3617A**	OVLAA036098	22,800	12.2	15.7	725	26,200	8.8	16,300	2.80	
4213507	25HCB624A30	CNPV*3617A**	OVMAA042112	22,800	12.5	16.0	690	26,000	9.0	16,100	2.82	
3494037	25HCB624A30	CNPV*3617A**+TDR	58CV(A)X090-16	22,800	11.2	13.5	700	26,000	8.3	16,700	2.62	
3494013	25HCB624A30	CNPV*3621A**	58CV(A)X110-20	23,000	12.6	15.5	670	26,400	8.6	16,000	2.80	
3494014	25HCB624A30	CNPV*3621A**	58CV(A)X110-20	23,000	12.5	16.0	675	26,400	9.1	16,100	2.80	
3874168	25HCB624A30	CNPV*3621A**	58HDV040-12	23,200	12.2	15.5	755	26,800	8.9	16,400	2.78	
3874221	25HCB624A30	CNPV*3621A**	58HDV040-12	23,200	12.2	15.5	755	26,800	8.9	16,400	2.78	
3874169	25HCB624A30	CNPV*3621A**	58HDV060-12	23,600	12.3	16.0	805	27,000	9.0	16,500	2.82	
3874222	25HCB624A30	CNPV*3621A**	58HDV060-12	23,600	12.3	16.0	805	27,000	9.0	16,500	2.82	
3620082	25HCB624A30	CNPV*3621A**	58ME(B)C060-12	23,600	12.7	16.2	790	26,600	9.2	16,300	2.88	
3620081	25HCB624A30	CNPV*3621A**	58ME(B)C060-12	23,600	12.8	16.3	780	26,600	9.2	16,300	2.88	
3494010	25HCB624A30	CNPV*3621A**	58MV(B)C080-14	22,800	12.4	15.5	660	26,400	8.6	16,000	2.78	
3494011	25HCB624A30	CNPV*3621A**	58MV(B)C080-20	22,800	12.5	16.0	630	26,200	9.2	16,000	2.76	
3494012	25HCB624A30	CNPV*3621A**	58MV(B)C100-20	23,000	12.6	16.0	665	26,400	9.0	16,000	2.80	
3758993	25HCB624A30	CNPV*3621A**	58VVB080-14	22,800	12.4	15.5	660	26,400	8.6	16,000	2.78	
3758994	25HCB624A30	CNPV*3621A**	58VVB080-20	22,800	12.5	16.0	630	26,200	9.2	16,000	2.76	
3758995	25HCB624A30	CNPV*3621A**	58VVB100-20	23,000	12.6	16.0	665	26,400	9.0	16,000	2.80	
3513984	25HCB624A30	CNPV*3621A**	58VLR105-12	23,200	12.6	16.0	715	26,600	9.0	16,200	2.82	
3513970	25HCB624A30	CNPV*3621A**	58VLR105-12	22,800	12.4	15.5	660	26,000	8.7	16,000	2.78	
4790867	25HCB624A30	CNPV*3621A**	59*N*A060V17**+14	22,400	12.2	15.3	675	26,000	8.6	16,100	2.76	
4790868	25HCB624A30	CNPV*3621A**	59*N*A060V17**+14	22,400	12.2	15.4	650	26,000	8.6	16,000	2.76	
4790869	25HCB624A30	CNPV*3621A**	59*N*A100V21**+20	22,800	12.3	15.6	720	26,200	9.0	16,200	2.80	
4213490	25HCB624A30	CNPV*3621A**	OVLAA036098	23,400	12.0	15.7	865	26,600	8.8	16,700	2.84	
4213489	25HCB624A30	CNPV*3621A**	OVMAA036098	22,800	12.2	15.7	725	26,200	8.8	16,300	2.80	
4213508	25HCB624A30	CNPV*3621A**	OVMAA042112	22,800	12.5	16.2	690	26,000	9.0	16,100	2.82	
3493976	25HCB624A30	CNPV*3621A**+TDR	58CV(A)X070-12	22,600	11.2	13.5	700	27,000	8.5	16,700	2.62	
3494018	25HCB624A30	CNPV*3717A**	58CV(A)X090-16	23,000	12.5	15.5	660	26,800	8.8	16,200	2.86	
3494019	25HCB624A30	CNPV*3717A**	58ME(B)C060-12	23,200	12.6	16.0	670	26,800	9.0	16,100	2.88	
3620084	25HCB624A30	CNPV*3717A**	58ME(B)C060-12	24,000	13.0	16.5	810	27,000	9.5	16,400	2.98	
3620083	25HCB624A30	CNPV*3717A**	58ME(B)C060-12	24,000	13.0	16.5	800	27,000	9.5	16,400	2.98	
3513985	25HCB624A30	CNPV*3717A**	58VLR105-12	23,400	12.7	16.0	715	27,000	9.3	16,300	2.90	
3513971	25HCB624A30	CNPV*3717A**	58VLR105-12	23,000	12.6	15.5	660	26,800	9.0	16,100	2.86	
4790870	25HCB624A30	CNPV*3717A**	59*N*A060V17**+14	22,600	12.0	15.5	675	26,600	8.9	16,200	2.84	
4790871	25HCB624A30	CNPV*3717A**	59*N*A060V17**+14	22,800	12.2	15.5	650	26,400	8.9	16,100	2.84	
4790838	25HCB624A30	CNPV*3717A**	59*P5A040E14**+10	23,000	11.5	15.0	805	27,000	9.0	17,000	2.76	
4213492	25HCB624A30	CNPV*3717A**	OVLAA036098	23,000	12.2	16.0	865	27,000	9.0	16,700	2.94	
4213491	25HCB624A30	CNPV*3717A**	OVMAA036098	23,000	12.5	16.0	725	26,600	9.0	16,400	2.88	
4213509	25HCB624A30	CNPV*3717A**	OVMAA042112	22,800	12.5	16.2	690	26,000	9.0	16,200	2.90	
3618630	25HCB624A30	CSPH*2412A**	58ME(B)C040-12	23,200	12.5	16.0	710	26,800	9.0	16,200	2.82	
3493980	25HCB624A30	CSPH*2412A**	58ME(B)C060-12	23,200	12.4	16.0	725	26,800	8.8	16,300	2.82	
3493981	25HCB624A30	CSPH*2412A**	58ME(B)C080-12	23,200	12.5	16.0	700	26,800	9.1	16,200	2.80	

COMBINATION RATINGS CONTINUED

AHRI Ref. No.	Model Number	Coil Model Number	Furnace Model Number	Cooling Capacity	Cooling				AHRI Standard Ratings			
					SEER	ID CFM		High Temp		HSPF	Low Temp	
						High	Low	E Capacity	H Capacity		E COP	H COP
3493889	25HCB624A30	CSPH*2412A**	58MEB040-12	23,200	12.5	710	585	26,800	3.16	9.0	16,200	2.82
3493887	25HCB624A30	CSPH*2412A**	58PH*045-08	23,000	12.2	685	555	26,800	3.12	8.7	16,300	2.76
3513975	25HCB624A30	CSPH*2412A**	58VMR105-12	22,800	12.2	660	520	26,600	3.10	8.7	16,200	2.74
4790888	25HCB624A30	CSPH*2412A**	59*N*A060V17**14	22,400	12.0	675	505	26,400	3.08	8.6	16,200	2.74
4790889	25HCB624A30	CSPH*2412A**	59*N*A060V17**14	22,400	12.1	650	490	26,200	3.08	8.5	16,100	2.74
4790890	25HCB624A30	CSPH*2412A**	59*N*A100V21**20	22,800	12.2	720	720	26,600	3.12	8.8	16,300	2.76
4790891	25HCB624A30	CSPH*2412A**	59*N*A120V24**22	22,600	12.2	700	700	26,400	3.12	8.8	16,300	2.76
4790844	25HCB624A30	CSPH*2412A**	59*P5A040E14**10	22,800	11.2	755	505	27,000	3.00	8.5	16,800	2.66
4790845	25HCB624A30	CSPH*2412A**	59*P5A060E17**14	23,400	11.9	752	660	27,000	3.10	9.0	16,800	2.78
3493973	25HCB624A30	CSPH*3012A**+TDR	58ME(B,C)040-12	23,200	11.3	700	560	27,600	3.00	8.5	17,000	2.66
3618631	25HCB624A30	CSPH*3012A**	58ME(B,C)060-12	23,400	12.6	750	640	26,800	3.14	9.1	16,300	2.86
3493894	25HCB624A30	CSPH*3012A**	58ME(B,C)080-12	23,400	12.6	765	605	26,800	3.16	9.0	16,300	2.86
3493895	25HCB624A30	CSPH*3012A**	58ME(B,C)080-12	23,400	12.6	735	735	26,600	3.14	9.2	16,200	2.84
3493893	25HCB624A30	CSPH*3012A**	58MEB040-12	23,400	12.6	750	640	26,600	3.14	9.1	16,300	2.86
3493892	25HCB624A30	CSPH*3012A**	58PH*045-08	23,200	12.3	715	580	26,600	3.08	8.8	16,300	2.80
3513976	25HCB624A30	CSPH*3012A**	58VMR105-12	22,800	12.3	660	520	26,400	3.06	8.6	16,100	2.76
4790892	25HCB624A30	CSPH*3012A**	59*N*A060V17**14	22,800	12.1	675	505	26,400	3.12	8.6	16,200	2.76
4790893	25HCB624A30	CSPH*3012A**	59*N*A060V17**14	22,400	12.2	650	490	26,200	3.12	8.6	16,100	2.76
4790894	25HCB624A30	CSPH*3012A**	59*N*A100V21**20	22,800	12.3	720	720	26,600	3.16	8.8	16,300	2.80
4790895	25HCB624A30	CSPH*3012A**	59*N*A120V24**22	22,800	12.4	700	700	26,400	3.16	9.0	16,200	2.80
4790846	25HCB624A30	CSPH*3012A**	59*P5A040E14**10	22,800	11.4	780	530	27,000	3.04	8.6	16,900	2.68
4213483	25HCB624A30	CSPH*3012A**	OVLAA036098	23,400	12.0	865	530	27,000	3.16	9.0	16,800	2.82
4213482	25HCB624A30	CSPH*3012A**	OVMAA036098	22,800	12.2	725	550	26,600	3.16	8.8	16,300	2.80
4213513	25HCB624A30	CSPH*3012A**	OVMAA042112	22,800	12.5	690	580	26,400	3.18	9.0	16,100	2.82
3493974	25HCB624A30	CSPH*3012A**+TDR	58ME(B,C)040-12	22,800	11.2	700	560	27,000	2.92	8.5	17,100	2.66
3618632	25HCB624A30	CSPH*3612A**	58ME(B,C)040-12	23,800	12.8	780	675	26,800	3.26	9.4	16,300	2.92
3493899	25HCB624A30	CSPH*3612A**	58ME(B,C)060-12	23,800	12.8	795	640	27,000	3.26	9.3	16,400	2.92
3493900	25HCB624A30	CSPH*3612A**	58ME(B,C)080-12	23,600	12.8	760	760	26,600	3.24	9.5	16,300	2.92
3493898	25HCB624A30	CSPH*3612A**	58MEB040-12	23,800	12.8	780	675	26,800	3.26	9.4	16,300	2.92
3493897	25HCB624A30	CSPH*3612A**	58PH*045-08	23,400	12.4	735	590	27,000	3.18	9.1	16,400	2.84
3513977	25HCB624A30	CSPH*3612A**	58VMR105-12	23,000	12.4	660	520	26,600	3.16	8.8	16,100	2.82
4790896	25HCB624A30	CSPH*3612A**	59*N*A060V17**14	22,800	12.2	675	505	26,400	3.14	8.7	16,200	2.78
4790897	25HCB624A30	CSPH*3612A**	59*N*A060V17**14	22,400	12.3	650	490	26,200	3.14	8.7	16,100	2.78
4790898	25HCB624A30	CSPH*3612A**	59*N*A100V21**20	22,800	12.4	720	720	26,400	3.18	9.0	16,300	2.82
4790899	25HCB624A30	CSPH*3612A**	59*N*A120V24**22	22,800	12.5	700	700	26,400	3.18	9.0	16,200	2.82
4790847	25HCB624A30	CSPH*3612A**	59*P5A040E14**10	22,800	11.4	795	535	27,000	3.04	8.7	16,900	2.72
4213496	25HCB624A30	CSPH*3612A**	OVLAA036098	23,600	12.2	865	530	26,800	3.18	9.0	16,700	2.88
4213495	25HCB624A30	CSPH*3612A**	OVMAA036098	22,800	12.2	725	550	26,400	3.18	9.0	16,300	2.84
3493975	25HCB624A30	CSPH*3612A**+TDR	58ME(B,C)040-12	22,800	11.2	700	560	27,200	3.00	8.5	16,800	2.64
3494038	25HCB636A30	1FV4CN(B,F)003		34,000	12.5	1050	840	36,400	3.76	9.0	22,000	2.64
3494050	25HCB636A30	CAP**3614A**	58CV(A,X)070-12	33,400	11.9	1005	660	36,800	3.64	8.5	22,200	2.58
3494196	25HCB636A30	CAP**3614A**	58PH*045-08	33,400	11.5	1045	735	37,200	3.58	8.5	22,800	2.54
3494039	25HCB636A30	CAP**3614A**+TDR		33,600	11.4	1100	880	37,600	3.60	8.5	23,000	2.52
3494056	25HCB636A30	CAP**3617A**	58CV(A,X)070-12	33,400	12.0	1005	660	36,800	3.64	8.5	22,200	2.58
3494057	25HCB636A30	CAP**3617A**	58CV(A,X)090-16	33,800	12.2	1005	670	36,600	3.68	8.5	22,000	2.62
3618637	25HCB636A30	CAP**3617A**	58ME(B,C)040-12	33,800	12.1	1065	795	36,800	3.74	8.8	22,200	2.64
3494207	25HCB636A30	CAP**3617A**	58ME(B,C)060-12	34,000	12.2	1080	810	37,000	3.74	8.8	22,400	2.64
3494208	25HCB636A30	CAP**3617A**	58ME(B,C)080-12	33,800	12.2	1055	775	36,800	3.72	8.7	22,200	2.64
3494209	25HCB636A30	CAP**3617A**	58ME(B,C)080-12	34,000	12.2	1080	985	37,000	3.74	9.0	22,400	2.64
3494206	25HCB636A30	CAP**3617A**	58MEB040-12	33,800	12.1	1065	795	36,800	3.74	8.8	22,200	2.64
3494052	25HCB636A30	CAP**3617A**	58MV(B,C)060-14	33,800	12.1	1055	725	36,800	3.72	8.6	22,200	2.62
3494202	25HCB636A30	CAP**3617A**	58PH*045-08	33,600	11.6	1075	750	37,400	3.62	8.5	22,800	2.56

See notes on pg. 35



COMBINATION RATINGS CONTINUED

AHRI Ref. No.	Model Number	Coil Model Number	Furnace Model Number	Cooling Capacity	Cooling				AHRI Standard Ratings				
					EER	SEER	ID CFM		High Temp		HSPF	Low Temp	
							High	Low	E Capacity	H Capacity		H COP	H COP
3494203	25HCB636A30	CAP**3617A**	58PH*070-16	33,600	12.0	14.5	1050	920	37,000	3.66	8.8	22,400	2.58
3757719	25HCB636A30	CAP**3617A**	58UVB060-14	33,800	12.1	15.0	1055	725	37,000	3.72	8.6	22,200	2.62
3513986	25HCB636A30	CAP**3617A**	58VLR105-12	33,800	12.1	15.0	1065	880	37,000	3.70	8.8	22,400	2.60
3513988	25HCB636A30	CAP**3617A**	58VMR105-12	33,400	12.0	15.0	975	800	36,600	3.62	8.6	22,000	2.54
4790938	25HCB636A30	CAP**3617A**	59*N*A060V17**14	32,400	11.7	13.9	950	505	35,800	3.56	7.8	22,000	2.54
4790939	25HCB636A30	CAP**3617A**	59*N*A080V17**14	32,600	11.8	13.9	970	490	35,800	3.60	7.8	22,200	2.56
4790900	25HCB636A30	CAP**3617A**	59*P5A060E17**14	32,800	11.8	14.7	1045	720	36,400	3.64	8.5	22,600	2.58
4790901	25HCB636A30	CAP**3617A**	59*P5A080E17**16	33,000	11.9	14.5	1035	965	36,400	3.66	8.8	22,400	2.58
4213514	25HCB636A30	CAP**3617A**	OVMAAB042112	32,600	11.7	15.2	1035	825	36,400	3.68	8.8	22,400	2.60
3494040	25HCB636A30	CAP**3617A**+TDR		33,800	11.4	13.5	1200	960	38,000	3.64	8.5	23,400	2.54
3494359	25HCB636A30	CAP**3619A**	58HDV060-12	33,800	11.7	14.5	1100	785	37,400	3.66	8.5	22,800	2.58
4790955	25HCB636A30	CAP**3619A**	59*N*A060V17**14	32,400	11.5	14.5	950	850	35,800	3.56	8.5	22,000	2.54
4790956	25HCB636A30	CAP**3619A**	59*N*A080V17**14	32,600	11.7	14.5	970	870	36,000	3.60	8.5	22,200	2.56
4790910	25HCB636A30	CAP**3619A**	59*P5A060E17**14	32,800	11.5	14.5	1045	720	36,400	3.64	8.5	22,600	2.58
4790911	25HCB636A30	CAP**3619A**	59*P5A080E17**16	33,000	11.7	14.5	1035	965	36,400	3.66	8.5	22,400	2.58
4213527	25HCB636A30	CAP**3619A**	OVLAAB048112	32,800	11.7	15.0	1085	880	36,200	3.68	8.8	22,600	2.60
4213526	25HCB636A30	CAP**3619A**	OVMAAB042112	32,800	11.7	15.2	1035	825	35,800	3.68	8.8	22,400	2.60
3494065	25HCB636A30	CAP**3621A**	58CV(A,X)090-16	33,600	12.3	15.0	1005	670	36,600	3.70	8.5	22,000	2.62
3494066	25HCB636A30	CAP**3621A**	58CV(A,X)110-20	33,800	12.3	15.0	1020	675	36,600	3.72	8.5	22,000	2.64
3494067	25HCB636A30	CAP**3621A**	58CV(A,X)135-22	33,800	12.4	15.0	1010	675	36,400	3.72	8.5	22,000	2.64
3618638	25HCB636A30	CAP**3621A**	58ME(B,C)040-12	34,000	12.3	15.0	1085	815	37,000	3.78	8.8	22,200	2.66
3494215	25HCB636A30	CAP**3621A**	58ME(B,C)060-12	34,200	12.3	15.0	1110	830	37,000	3.78	8.9	22,400	2.66
3494216	25HCB636A30	CAP**3621A**	58ME(B,C)080-12	34,000	12.3	15.0	1080	795	36,800	3.76	8.8	22,200	2.64
3494217	25HCB636A30	CAP**3621A**	58ME(B,C)080-16	34,000	12.3	15.0	1100	1005	37,000	3.76	9.0	22,400	2.64
3494218	25HCB636A30	CAP**3621A**	58ME(B,C)100-20	34,000	12.6	14.0	1045	1375	36,600	3.76	9.0	22,000	2.66
3494214	25HCB636A30	CAP**3621A**	58ME(B,C)040-12	34,000	12.3	15.0	1085	815	37,000	3.76	8.8	22,200	2.66
3494060	25HCB636A30	CAP**3621A**	58MV(B,C)060-14	33,800	12.2	15.5	1055	725	36,800	3.72	8.6	22,200	2.64
3494061	25HCB636A30	CAP**3621A**	58MV(B,C)080-14	33,600	12.1	15.0	1030	660	36,800	3.68	8.5	22,200	2.60
3494062	25HCB636A30	CAP**3621A**	58MV(B,C)080-20	33,800	12.1	15.0	1010	630	36,600	3.68	8.5	22,000	2.62
3494063	25HCB636A30	CAP**3621A**	58MV(B,C)100-20	33,800	12.2	15.0	1040	665	36,800	3.72	8.5	22,200	2.62
3494211	25HCB636A30	CAP**3621A**	58PH*070-16	33,800	12.0	14.5	1070	940	37,000	3.68	9.0	22,400	2.60
3494212	25HCB636A30	CAP**3621A**	58PH*090-16	34,000	12.4	15.0	1085	955	36,800	3.78	9.0	22,200	2.66
3494213	25HCB636A30	CAP**3621A**	58PH*110-20	34,200	12.6	14.5	1115	1360	37,000	3.80	9.1	22,200	2.68
3757720	25HCB636A30	CAP**3621A**	58UVB060-14	33,800	12.2	15.5	1055	725	36,800	3.72	8.6	22,200	2.64
3757721	25HCB636A30	CAP**3621A**	58UVB080-14	33,600	12.1	15.0	1030	660	36,800	3.68	8.5	22,200	2.60
3757722	25HCB636A30	CAP**3621A**	58UVB080-20	33,800	12.1	15.0	1010	630	36,600	3.68	8.5	22,000	2.62
3757723	25HCB636A30	CAP**3621A**	58UVB100-20	33,800	12.2	15.0	1040	665	36,800	3.72	8.5	22,200	2.62
3513999	25HCB636A30	CAP**3621A**	58VLR105-12	33,800	12.2	15.0	1065	880	37,000	3.72	8.8	22,400	2.62
3514001	25HCB636A30	CAP**3621A**	58VLR120-20	33,800	12.4	15.0	1005	765	36,400	3.72	8.7	22,000	2.64
3513990	25HCB636A30	CAP**3621A**	58VMR105-12	33,400	12.1	15.0	975	800	36,600	3.64	8.7	22,000	2.58
3513992	25HCB636A30	CAP**3621A**	58VMR120-20	33,600	12.2	15.0	1000	720	36,600	3.68	8.5	22,000	2.62
4790940	25HCB636A30	CAP**3621A**	59*N*A060V17**14	32,400	11.7	14.0	950	505	35,800	3.58	7.8	22,000	2.56
4790941	25HCB636A30	CAP**3621A**	59*N*A080V17**14	32,600	12.0	14.8	970	870	35,800	3.62	8.6	22,000	2.58
4790942	25HCB636A30	CAP**3621A**	59*N*A100V21**20	32,800	12.0	14.8	990	720	36,000	3.66	8.6	22,000	2.60
4790902	25HCB636A30	CAP**3621A**	59*P5A060E17**14	33,000	11.8	14.5	1065	735	36,600	3.66	8.5	22,600	2.58
4790903	25HCB636A30	CAP**3621A**	59*P5A080E17**16	33,000	12.0	14.6	1050	985	36,400	3.68	8.8	22,400	2.60
4213515	25HCB636A30	CAP**3621A**	OVLAAB048112	32,800	11.7	15.2	1085	880	36,000	3.68	8.8	22,400	2.62
3494041	25HCB636A30	CAP**3621A**+TDR	OVMAAB042112	32,800	11.7	15.2	1035	825	35,800	3.68	8.8	22,000	2.60
3494075	25HCB636A30	CAP**4221A**	58CV(A,X)090-16	33,400	11.4	13.5	1200	960	38,000	3.64	8.5	23,400	2.54
3494076	25HCB636A30	CAP**4221A**	58CV(A,X)110-20	34,000	12.4	15.0	1005	670	36,600	3.74	8.6	22,000	2.64
3494077	25HCB636A30	CAP**4221A**	58CV(A,X)135-22	34,000	12.5	15.0	1010	675	36,800	3.76	8.5	22,200	2.64
3618639	25HCB636A30	CAP**4221A**	58ME(B,C)040-12	34,400	12.3	15.5	1085	820	37,000	3.80	8.9	22,400	2.68

COMBINATION RATINGS CONTINUED

AHRI Ref. No.	Model Number	Coil Model Number	Furnace Model Number	Cooling Capacity	Cooling				AHRI Standard Ratings				
					EER	SEER	ID CFM		High Temp		HSPF	Low Temp	
							High	Low	E Capacity	H Capacity		E COP	H COP
3494223	25HCB636A30	CAP**4221A**	58ME(B,C)080-12	34,400	12.3	15.5	1105	825	37,200	3.82	9.0	22,400	2.66
3494224	25HCB636A30	CAP**4221A**	58ME(B,C)080-12	34,200	12.3	15.5	1075	790	37,200	3.80	8.8	22,400	2.66
3494225	25HCB636A30	CAP**4221A**	58ME(B,C)080-16	34,400	12.4	15.0	1100	1000	37,200	3.80	9.1	22,400	2.66
3494226	25HCB636A30	CAP**4221A**	58ME(B,C)100-20	34,200	12.7	14.5	1040	1375	36,800	3.80	9.0	22,000	2.68
3494227	25HCB636A30	CAP**4221A**	58ME(B,C)080-12	34,400	12.3	15.5	1085	820	37,000	3.80	8.9	22,400	2.68
3494070	25HCB636A30	CAP**4221A**	58MV(B,C)080-14	34,200	12.3	15.5	1055	725	37,000	3.78	8.7	22,400	2.66
3494071	25HCB636A30	CAP**4221A**	58MV(B,C)080-14	34,000	12.1	15.0	1030	660	37,000	3.72	8.5	22,400	2.62
3494072	25HCB636A30	CAP**4221A**	58MV(B,C)080-20	33,800	12.2	15.0	1010	630	36,800	3.72	8.5	22,200	2.62
3494073	25HCB636A30	CAP**4221A**	58MV(B,C)100-20	34,000	12.3	15.0	1040	665	36,800	3.76	8.5	22,200	2.64
3494219	25HCB636A30	CAP**4221A**	58PH*070-16	34,000	12.1	14.5	1070	940	37,200	3.72	8.9	22,600	2.62
3494220	25HCB636A30	CAP**4221A**	58PH*090-16	34,400	12.5	15.5	1085	950	37,000	3.82	9.0	22,400	2.68
3494221	25HCB636A30	CAP**4221A**	58PH*110-20	34,800	12.6	14.5	1110	1355	37,000	3.84	9.0	22,400	2.70
3757724	25HCB636A30	CAP**4221A**	58UVB080-14	34,200	12.3	15.5	1055	725	37,000	3.78	8.7	22,400	2.66
3757725	25HCB636A30	CAP**4221A**	58UVB080-14	34,000	12.1	15.0	1030	660	37,000	3.72	8.5	22,400	2.62
3757726	25HCB636A30	CAP**4221A**	58UVB080-20	33,800	12.2	15.0	1010	630	36,800	3.72	8.5	22,200	2.62
3757727	25HCB636A30	CAP**4221A**	58UVB100-20	34,000	12.3	15.0	1040	665	36,800	3.76	8.5	22,200	2.64
3514006	25HCB636A30	CAP**4221A**	58VLR105-12	34,000	12.2	15.0	1065	880	37,000	3.76	8.8	22,400	2.64
3514008	25HCB636A30	CAP**4221A**	58VLR120-20	34,000	12.5	15.5	1005	765	36,600	3.76	8.8	22,000	2.66
3513994	25HCB636A30	CAP**4221A**	58VNR105-12	33,600	12.2	15.0	975	800	36,600	3.68	8.8	22,000	2.60
3513995	25HCB636A30	CAP**4221A**	58VNR120-20	33,800	12.3	15.0	1000	720	36,600	3.72	8.5	22,200	2.62
4790943	25HCB636A30	CAP**4221A**	59*N*A080V17**14	32,800	11.8	14.7	950	850	36,000	3.62	8.6	22,200	2.56
4790944	25HCB636A30	CAP**4221A**	59*N*A080V17**14	33,000	12.0	14.9	970	870	36,000	3.66	8.8	22,200	2.60
4790945	25HCB636A30	CAP**4221A**	59*N*A100V21**20	33,000	12.1	14.9	990	720	36,000	3.70	8.6	22,200	2.62
4790904	25HCB636A30	CAP**4221A**	59*P5A080E17**14	33,200	11.8	14.8	1060	735	36,600	3.70	8.6	22,600	2.60
4790905	25HCB636A30	CAP**4221A**	59*P5A080E17**16	33,200	12.0	14.7	1050	980	36,600	3.72	8.8	22,400	2.62
4213518	25HCB636A30	CAP**4221A**	OVLAA8048112	33,200	12.0	15.2	1085	880	36,200	3.76	8.8	22,600	2.64
4213517	25HCB636A30	CAP**4221A**	OVLAA8042112	33,000	12.0	15.2	1035	825	36,000	3.72	8.8	22,400	2.62
3494042	25HCB636A30	CAP**4221A**+TDR	58CV(A,X)110-20	34,400	11.4	13.5	1260	1010	36,800	3.26	8.5	23,600	2.58
3494083	25HCB636A30	CAP**4224A**	58CV(A,X)135-22	34,000	12.4	15.0	1020	675	36,800	3.76	8.5	22,200	2.66
3494084	25HCB636A30	CAP**4224A**	58CV(A,X)155-22	34,000	12.5	15.5	1010	675	36,600	3.78	8.5	22,000	2.66
3494085	25HCB636A30	CAP**4224A**	58CV(A,X)155-22	34,200	12.6	15.5	1015	675	36,600	3.80	8.6	22,000	2.68
3494079	25HCB636A30	CAP**4224A**	58MV(B,C)080-14	34,000	12.2	15.0	1030	660	37,000	3.74	8.5	22,200	2.62
3494080	25HCB636A30	CAP**4224A**	58MV(B,C)080-20	33,800	12.2	15.0	1010	630	36,800	3.72	8.5	22,200	2.64
3494081	25HCB636A30	CAP**4224A**	58MV(B,C)100-20	34,000	12.3	15.0	1040	665	36,800	3.76	8.5	22,200	2.64
3494082	25HCB636A30	CAP**4224A**	58MV(B,C)120-20	34,000	12.4	15.5	1010	690	36,600	3.76	8.6	22,000	2.66
3494264	25HCB636A30	CAP**4224A**	58PH*090-16	34,400	12.5	15.5	1090	960	37,000	3.82	9.0	22,400	2.68
3757735	25HCB636A30	CAP**4224A**	58UVB080-14	34,000	12.2	15.0	1030	660	37,000	3.74	8.5	22,200	2.62
3757736	25HCB636A30	CAP**4224A**	58UVB080-20	33,800	12.2	15.0	1010	630	36,800	3.72	8.5	22,200	2.64
3757737	25HCB636A30	CAP**4224A**	58UVB100-20	34,000	12.3	15.0	1040	665	36,800	3.76	8.5	22,200	2.64
3757738	25HCB636A30	CAP**4224A**	58UVB120-20	34,000	12.4	15.5	1010	690	36,600	3.76	8.6	22,000	2.66
3514012	25HCB636A30	CAP**4224A**	58VLR120-20	34,000	12.5	15.5	1005	765	36,600	3.76	8.8	22,000	2.66
3513996	25HCB636A30	CAP**4224A**	58VNR120-20	33,800	12.3	15.0	1000	720	36,600	3.72	8.6	22,000	2.64
4790946	25HCB636A30	CAP**4224A**	59*N*A100V21**20	33,000	12.0	15.0	990	720	36,000	3.70	8.6	22,200	2.62
4790947	25HCB636A30	CAP**4224A**	59*N*A120V24**22	33,000	12.0	15.0	980	700	36,000	3.72	8.6	22,000	2.62
4213519	25HCB636A30	CAP**4224A**	OVLAA8048112	33,200	12.2	15.2	1085	880	36,200	3.76	8.8	22,600	2.64
4213520	25HCB636A30	CAP**4224A**	OVLAA8060154	34,000	12.2	15.7	1250	1020	36,600	3.92	9.0	22,800	2.72
3494043	25HCB636A30	CAP**4224A**+TDR	58CV(A,X)070-12	34,000	11.4	13.5	1260	1010	36,800	3.26	8.5	23,600	2.58
3494090	25HCB636A30	CAP**4817A**	58CV(A,X)090-16	34,800	12.3	15.5	1005	660	37,400	3.84	8.6	22,600	2.66
3494091	25HCB636A30	CAP**4817A**	58ME(B,C)040-12	35,000	12.6	16.0	1070	805	37,200	3.90	8.7	22,400	2.70
3618627	25HCB636A30	CAP**4817A**	58ME(B,C)060-12	35,000	12.6	16.0	1085	815	37,600	3.96	9.0	22,600	2.72
3494269	25HCB636A30	CAP**4817A**	58ME(B,C)080-12	35,000	12.6	16.0	1060	780	37,400	3.94	9.0	22,600	2.72
3494270	25HCB636A30	CAP**4817A**	58ME(B,C)080-16	35,000	12.6	15.5	1085	990	37,600	3.96	9.1	22,600	2.72

See notes on pg. 35



COMBINATION RATINGS CONTINUED

AHRI Ref. No.	Model Number	Coil Model Number	Furnace Model Number	Cooling Capacity	Cooling				AHRI Standard Ratings				
					EER	SEER	ID CFM		High Temp		HSPF	Low Temp	
							High	Low	E Capacity	H Capacity		H COP	H COP
3494268	25HCB636A30	CAP**4817A**	58MEB040-12	35,000	12.6	16.0	1070	805	37,600	3.96	9.0	22,600	2.72
3494086	25HCB636A30	CAP**4817A**	58MV(B,C)060-14	34,800	12.5	15.5	1075	725	37,600	3.92	8.7	22,600	2.70
3494265	25HCB636A30	CAP**4817A**	58PH*045-08	34,800	11.9	15.0	1075	755	38,000	3.82	8.7	23,000	2.62
3494266	25HCB636A30	CAP**4817A**	58PH*070-16	34,800	12.3	15.0	1055	925	37,600	3.86	9.0	22,800	2.66
3757739	25HCB636A30	CAP**4817A**	58UVB060-14	34,800	12.5	15.5	1055	725	37,600	3.92	8.7	22,600	2.70
3514015	25HCB636A30	CAP**4817A**	58VLR105-12	34,800	12.4	15.5	1065	880	37,600	3.90	9.0	22,800	2.68
3513997	25HCB636A30	CAP**4817A**	58VMR105-12	34,400	12.4	15.5	975	800	37,200	3.82	9.0	22,400	2.66
4790948	25HCB636A30	CAP**4817A**	59*N*A080V17**14	33,400	12.0	15.0	950	850	36,600	3.76	8.7	22,400	2.62
4790949	25HCB636A30	CAP**4817A**	59*N*A080V17**14	33,600	12.1	15.0	970	870	36,600	3.76	8.8	22,400	2.64
4790906	25HCB636A30	CAP**4817A**	59*P5A080E17**14	34,000	12.0	15.0	1050	725	37,200	3.84	8.7	22,800	2.64
4790907	25HCB636A30	CAP**4817A**	59*P5A080E17**16	34,000	12.1	15.0	1040	970	37,000	3.86	9.0	22,600	2.66
4213521	25HCB636A30	CAP**4817A**	OVMAB042112	33,800	12.2	15.7	1035	825	36,600	3.88	8.8	22,600	2.68
3494044	25HCB636A30	CAP**4817A** + TDR		35,200	11.7	14.0	1260	1010	39,000	3.88	8.7	24,000	2.64
3494099	25HCB636A30	CAP**4821A**	58CV(A,X)090-16	34,400	12.5	15.5	1005	670	37,000	3.84	8.6	22,200	2.68
3494100	25HCB636A30	CAP**4821A**	58CV(A,X)110-20	34,400	12.5	15.5	1020	675	37,000	3.86	8.6	22,400	2.68
3494101	25HCB636A30	CAP**4821A**	58CV(A,X)135-22	34,400	12.6	15.5	1010	675	37,000	3.86	8.6	22,200	2.68
3618633	25HCB636A30	CAP**4821A**	58ME(B,C)040-12	34,800	12.6	15.5	1080	810	37,400	3.92	9.0	22,400	2.70
3494275	25HCB636A30	CAP**4821A**	58ME(B,C)060-12	34,800	12.5	15.5	1100	820	37,400	3.92	9.0	22,600	2.70
3494276	25HCB636A30	CAP**4821A**	58ME(B,C)080-12	34,800	12.5	15.5	1070	785	37,400	3.90	8.9	22,400	2.70
3494277	25HCB636A30	CAP**4821A**	58ME(B,C)080-16	34,800	12.6	15.5	1095	995	37,400	3.90	9.1	22,600	2.70
3494274	25HCB636A30	CAP**4821A**	58MEB040-12	34,800	12.6	15.5	1080	810	37,400	3.92	9.0	22,400	2.70
3494094	25HCB636A30	CAP**4821A**	58MV(B,C)060-14	34,800	12.5	15.5	1055	725	37,400	3.88	8.7	22,400	2.68
3494095	25HCB636A30	CAP**4821A**	58MV(B,C)080-14	34,400	12.3	15.5	1030	660	37,200	3.82	8.5	22,400	2.66
3494096	25HCB636A30	CAP**4821A**	58MV(B,C)080-20	34,400	12.5	15.0	1010	630	37,200	3.82	8.5	22,400	2.66
3494097	25HCB636A30	CAP**4821A**	58MV(B,C)100-20	34,600	12.4	15.5	1040	665	37,200	3.86	8.6	22,400	2.68
3494272	25HCB636A30	CAP**4821A**	58PH*070-16	34,600	12.2	15.0	1065	935	37,600	3.82	8.8	22,800	2.66
3494273	25HCB636A30	CAP**4821A**	58PH*090-16	34,800	12.7	15.5	1075	945	37,400	3.92	9.0	22,400	2.72
3757740	25HCB636A30	CAP**4821A**	58UVB060-14	34,600	12.3	15.5	1055	725	37,400	3.88	8.7	22,400	2.68
3757741	25HCB636A30	CAP**4821A**	58UVB080-14	34,400	12.5	15.5	1030	660	37,200	3.82	8.5	22,400	2.66
3757742	25HCB636A30	CAP**4821A**	58UVB080-20	34,400	12.5	15.0	1010	630	37,200	3.82	8.5	22,400	2.66
3757743	25HCB636A30	CAP**4821A**	58UVB100-20	34,600	12.4	15.5	1040	665	37,200	3.86	8.6	22,400	2.68
3514023	25HCB636A30	CAP**4821A**	58VLR105-12	34,600	12.4	15.5	1065	880	37,400	3.86	9.0	22,600	2.66
3514025	25HCB636A30	CAP**4821A**	58VLR120-20	34,400	12.6	15.5	1005	765	37,000	3.86	8.8	22,200	2.68
3514000	25HCB636A30	CAP**4821A**	58VMR105-12	34,200	12.3	15.5	975	800	37,000	3.78	8.9	22,200	2.64
3514002	25HCB636A30	CAP**4821A**	58VMR120-20	34,400	12.4	15.0	1000	720	37,000	3.82	8.7	22,200	2.66
4790950	25HCB636A30	CAP**4821A**	59*N*A080V17**14	33,200	12.0	14.9	950	850	36,400	3.70	8.6	22,400	2.60
4790951	25HCB636A30	CAP**4821A**	59*N*A080V17**14	33,400	12.2	15.0	970	870	36,400	3.76	8.8	22,200	2.62
4790952	25HCB636A30	CAP**4821A**	59*N*A100V21**20	33,600	12.3	15.0	990	720	36,400	3.80	8.7	22,400	2.64
4790908	25HCB636A30	CAP**4821A**	59*P5A080E17**14	33,800	12.0	15.0	1055	730	37,000	3.80	8.6	22,800	2.64
4790909	25HCB636A30	CAP**4821A**	59*P5A080E17**16	33,800	12.2	15.0	1045	980	36,800	3.82	9.0	22,600	2.64
4213523	25HCB636A30	CAP**4821A**	OVLAA048112	33,600	12.0	15.2	1085	880	36,600	3.86	8.8	22,800	2.66
4213522	25HCB636A30	CAP**4821A**	OVLAA048112	33,400	12.2	15.5	1035	825	36,400	3.82	8.8	22,800	2.66
3494045	25HCB636A30	CAP**4821A** + TDR		35,000	11.6	13.5	1260	1010	39,000	3.82	8.6	23,800	2.62
3494360	25HCB636A30	CAP**4823A**	58HDV040-12	34,200	11.8	14.5	1070	825	37,800	3.74	8.7	23,000	2.60
3494361	25HCB636A30	CAP**4823A**	58HDV060-12	34,600	12.1	15.0	1115	800	37,800	3.84	8.7	23,000	2.64
3493901	25HCB636A30	CAP**4823A**	58HDV080-20	35,200	12.4	15.5	1200	935	38,000	3.94	9.0	23,000	2.70
4790957	25HCB636A30	CAP**4823A**	59*N*A100V21**20	33,600	12.0	15.1	990	720	36,400	3.80	8.7	22,400	2.64
4213528	25HCB636A30	CAP**4823A**	OVLAA048112	33,800	12.0	15.2	1085	880	36,600	3.86	8.8	22,800	2.66
3494108	25HCB636A30	CAP**4824A**	58CV(A,X)110-20	34,600	12.6	15.5	1020	675	37,000	3.86	8.7	22,200	2.68
3494109	25HCB636A30	CAP**4824A**	58CV(A,X)135-22	34,600	12.6	15.5	1010	675	37,000	3.88	8.7	22,200	2.70
3494110	25HCB636A30	CAP**4824A**	58CV(A,X)155-22	34,600	12.8	15.5	1015	675	37,000	3.90	8.7	22,200	2.72
3494104	25HCB636A30	CAP**4824A**	58MV(B,C)080-14	34,400	12.3	15.5	1030	660	37,200	3.84	8.6	22,400	2.66
3494105	25HCB636A30	CAP**4824A**	58MV(B,C)080-20	34,400	12.4	15.3	1010	630	37,000	3.84	8.5	22,400	2.66

COMBINATION RATINGS CONTINUED

AHRI Ref. No.	Model Number	Coil Model Number	Furnace Model Number	Cooling Capacity	Cooling				AHRI Standard Ratings				
					EER	SEER	ID CFM		High Temp		HSPF	Low Temp	
							High	Low	E Capacity	H Capacity		E COP	H COP
3494106	25HCB636A30	CAP**4824A**	58MV(B,C)100-20	34,600	12.5	15.5	1040	665	37,200	8.6	22,400	2.68	
3494107	25HCB636A30	CAP**4824A**	58MV(B,C)120-20	34,400	12.6	15.5	1010	690	37,000	8.7	22,200	2.68	
3494278	25HCB636A30	CAP**4824A**	58PH*090-16	35,000	12.7	15.5	1090	955	37,400	9.1	22,400	2.72	
3757744	25HCB636A30	CAP**4824A**	58UVB080-14	34,400	12.3	15.5	1030	660	37,200	8.6	22,400	2.66	
3757745	25HCB636A30	CAP**4824A**	58UVB080-20	34,400	12.4	15.3	1010	630	37,000	8.5	22,400	2.66	
3757746	25HCB636A30	CAP**4824A**	58UVB100-20	34,600	12.5	15.5	1040	665	37,200	8.6	22,400	2.68	
3757747	25HCB636A30	CAP**4824A**	58UVB120-20	34,400	12.6	15.5	1010	690	37,000	8.7	22,200	2.68	
3514036	25HCB636A30	CAP**4824A**	58VLR120-20	34,400	12.7	15.5	1005	765	37,000	8.8	22,200	2.70	
3514003	25HCB636A30	CAP**4824A**	58VMR120-20	34,400	12.5	15.5	1000	720	37,000	8.8	22,200	2.66	
4790953	25HCB636A30	CAP**4824A**	59*N*A100V21**20	33,600	12.0	15.2	990	720	36,400	8.7	22,200	2.66	
4790954	25HCB636A30	CAP**4824A**	59*N*A120V24**22	33,600	12.5	15.2	980	700	36,200	8.7	22,200	2.66	
4213524	25HCB636A30	CAP**4824A**	OVLAA048112	33,800	12.2	15.5	1085	880	36,600	8.8	22,600	2.68	
4213525	25HCB636A30	CAP**4824A**	OVLAA060154	34,600	12.5	15.7	1250	1020	37,000	9.0	23,000	2.76	
3494046	25HCB636A30	CAP**4824A** + TDR		35,000	11.6	13.5	1260	1010	39,000	8.6	23,800	2.62	
3879139	25HCB636A30	CNP**3617A**	58HDV060--12	33,800	11.7	14.5	1075	770	37,200	8.6	22,800	2.56	
3879140	25HCB636A30	CNP**3617A**	58HDV080--20	34,000	12.0	15.0	1155	900	37,400	8.7	22,800	2.62	
3879141	25HCB636A30	CNP**3617A**	58HDV100--20	33,800	12.1	15.0	1075	850	37,000	8.7	22,400	2.62	
3618629	25HCB636A30	CNP**3617A**	58ME(B,C)040-12	33,800	12.1	15.0	1045	785	36,800	8.7	22,200	2.62	
3494329	25HCB636A30	CNP**3617A**	58ME(B,C)060-12	33,800	12.1	15.0	1055	795	36,800	8.7	22,400	2.62	
3494330	25HCB636A30	CNP**3617A**	58ME(B,C)080-12	33,800	12.2	15.0	1035	765	36,800	8.6	22,200	2.62	
3494331	25HCB636A30	CNP**3617A**	58ME(B,C)080-16	33,800	12.2	15.0	1055	965	36,800	8.7	22,400	2.62	
3494328	25HCB636A30	CNP**3617A**	58MEB040-12	33,800	12.2	15.0	1045	785	36,800	8.7	22,200	2.62	
3494190	25HCB636A30	CNP**3617A**	58MV(B,C)060-14	33,800	12.0	15.0	1055	725	36,800	8.6	22,400	2.60	
3494189	25HCB636A30	CNP**3617A**	58MV(B,C)040-14	33,400	11.8	14.5	1000	675	36,800	8.5	22,200	2.56	
3494325	25HCB636A30	CNP**3617A**	58PH*045-08	33,400	11.5	14.5	1055	740	37,200	8.5	22,800	2.54	
3494326	25HCB636A30	CNP**3617A**	58PH*070-16	33,400	11.9	14.5	1030	905	37,000	8.5	22,400	2.56	
3494327	25HCB636A30	CNP**3617A**	58PH*090-16	33,800	12.2	15.0	1035	905	36,600	8.8	22,200	2.62	
3514029	25HCB636A30	CNP**3617A**	58VMR105-12	33,200	11.9	15.0	975	800	36,600	8.6	22,200	2.56	
3514030	25HCB636A30	CNP**3617A**	58VMR120-20	33,400	12.0	15.0	1000	720	36,600	8.5	22,200	2.58	
4790977	25HCB636A30	CNP**3617A**	59*N*A060V17**14	32,400	11.7	14.3	950	850	36,000	8.6	22,200	2.52	
4790924	25HCB636A30	CNP**3617A**	59*P5A060E17**14	32,800	11.7	14.5	1030	710	36,400	8.5	22,400	2.56	
4790925	25HCB636A30	CNP**3617A**	59*P5A080E17**16	32,800	11.9	14.5	1020	955	36,200	8.7	22,400	2.56	
4213542	25HCB636A30	CNP**3617A**	OVLAA048112	32,800	11.7	14.7	1085	880	36,200	8.8	22,600	2.58	
4213543	25HCB636A30	CNP**3617A**	OVLAA060154	33,400	11.7	15.2	1250	1020	36,600	8.8	23,000	2.66	
4213541	25HCB636A30	CNP**3617A**	OVMAB042112	32,600	11.7	15.0	1035	825	35,800	8.8	22,400	2.58	
3879142	25HCB636A30	CNP**4221A**	58HDV060--12	34,000	11.9	15.0	1095	780	37,400	8.5	22,800	2.52	
3879143	25HCB636A30	CNP**4221A**	58HDV080--20	34,600	12.2	15.5	1180	915	37,600	8.7	22,800	2.66	
3879144	25HCB636A30	CNP**4221A**	58HDV100--20	34,400	12.3	15.5	1100	865	37,200	8.8	22,600	2.66	
3618642	25HCB636A30	CNP**4221A**	58ME(B,C)040-12	34,200	12.4	15.5	1065	795	37,000	8.8	22,400	2.66	
3494336	25HCB636A30	CNP**4221A**	58ME(B,C)060-12	34,400	12.3	15.5	1080	805	37,200	8.8	22,400	2.66	
3494337	25HCB636A30	CNP**4221A**	58ME(B,C)080-12	34,200	12.3	15.0	1055	770	37,000	8.8	22,400	2.66	
3494338	25HCB636A30	CNP**4221A**	58ME(B,C)080-16	34,200	12.4	15.0	1075	980	37,000	9.0	22,400	2.66	
3494335	25HCB636A30	CNP**4221A**	58MEB040-12	34,200	12.4	15.5	1065	795	37,000	8.8	22,400	2.66	
3494332	25HCB636A30	CNP**4221A**	58PH*045-08	33,800	11.7	14.5	1070	745	37,600	8.5	22,800	2.58	
3494333	25HCB636A30	CNP**4221A**	58PH*070-16	34,000	12.0	14.5	1045	915	37,200	8.8	22,600	2.60	
3494334	25HCB636A30	CNP**4221A**	58PH*090-16	34,200	12.4	15.0	1055	925	37,000	9.0	22,200	2.66	
3514032	25HCB636A30	CNP**4221A**	58VMR105-12	33,600	12.1	15.0	975	800	36,800	8.7	22,200	2.60	
3514033	25HCB636A30	CNP**4221A**	58VMR120-20	33,800	12.2	15.0	1000	720	36,800	8.7	22,200	2.62	
4790926	25HCB636A30	CNP**4221A**	59*P5A060E17**14	33,200	11.9	14.5	1045	715	36,600	8.5	22,600	2.60	
4790927	25HCB636A30	CNP**4221A**	59*P5A080E17**16	33,200	12.0	14.7	1030	965	36,600	8.8	22,400	2.60	
4213545	25HCB636A30	CNP**4221A**	OVLAA048112	33,200	11.7	15.2	1085	880	36,400	8.8	22,600	2.62	
4213546	25HCB636A30	CNP**4221A**	OVLAA060154	34,000	12.2	15.5	1250	1020	36,800	9.0	23,000	2.70	

See notes on pg. 35



25HCB6

COMBINATION RATINGS CONTINUED

AHRI Ref. No.	Model Number	Coil Model Number	Furnace Model Number	Cooling Capacity	Cooling			AHRI Standard Ratings					
					EER	SEER	ID CFM		High Temp		HSPF	Low Temp	
							High	Low	E Capacity	H Capacity		H COP	H COP
4213544	25HCB636A30	CNPH*4221A**	OVMAAB042112	33,000	11.7	15.2	1035	825	36,000	3.72	8.8	22,400	2.62
3494118	25HCB636A30	CNPH*4221A** +TDR		33,600	11.5	13.5	1050	840	37,600	3.62	8.5	23,000	2.54
3879145	25HCB636A30	CNPH*4321A**	58HDV040--12	34,800	12.0	15.0	1075	840	38,000	3.84	7.7	23,200	2.64
3879146	25HCB636A30	CNPH*4321A**	58HDV060--12	35,400	12.3	15.5	1125	810	38,000	3.94	7.7	23,200	2.70
3879147	25HCB636A30	CNPH*4321A**	58HDV080--12	35,800	12.6	16.0	1210	945	38,500	4.06	7.9	23,200	2.76
3879148	25HCB636A30	CNPH*4321A**	58HDV100--20	35,800	12.8	16.0	1135	900	38,000	4.04	7.9	22,800	2.76
4790928	25HCB636A30	CNPH*4321A**	59*P5A080E17**14	34,400	12.2	15.3	1065	740	37,400	3.90	8.8	22,800	2.68
4790929	25HCB636A30	CNPH*4321A**	59*P5A080E17**16	34,400	12.2	15.0	1050	985	37,200	3.92	8.8	22,800	2.68
4213548	25HCB636A30	CNPH*4321A**	OVLAA8048112	34,200	12.2	15.7	1085	880	36,800	3.96	9.0	22,800	2.70
4214093	25HCB636A30	CNPH*4321A**	OVLAA8060154	35,200	12.5	16.2	1250	1020	37,400	4.12	9.0	23,200	2.80
4213547	25HCB636A30	CNPH*4321A**	OVMAAB042112	34,000	12.2	15.7	1035	825	36,600	3.92	9.0	22,600	2.70
3494229	25HCB636A30	CNPH*4821A**	58CV(A.X)070--12	34,400	12.4	15.0	1005	660	37,200	3.82	8.6	22,400	2.66
3494230	25HCB636A30	CNPH*4821A**	58CV(A.X)090--16	34,600	12.6	15.5	1005	670	37,000	3.86	8.7	22,200	2.70
3494231	25HCB636A30	CNPH*4821A**	58CV(A.X)110--20	34,600	12.6	15.5	1020	675	37,000	3.88	8.7	22,200	2.70
3494232	25HCB636A30	CNPH*4821A**	58CV(A.X)135--22	34,600	12.7	15.5	1010	675	37,000	3.88	8.7	22,200	2.70
3494233	25HCB636A30	CNPH*4821A**	58CV(A.X)155--22	34,800	12.8	15.8	1015	675	37,000	3.92	8.7	22,200	2.72
3879149	25HCB636A30	CNPH*4821A**	58HDV040--12	34,400	11.9	15.0	1080	835	38,000	3.76	7.7	23,200	2.62
3879150	25HCB636A30	CNPH*4821A**	58HDV060--12	34,800	12.2	15.5	1130	815	38,000	3.86	7.7	23,000	2.66
3879152	25HCB636A30	CNPH*4821A**	58HDV080--20	35,400	12.5	15.5	1220	950	38,000	3.98	7.8	23,000	2.72
3879153	25HCB636A30	CNPH*4821A**	58HDV100--20	35,200	12.6	16.0	1140	905	37,600	3.96	7.8	22,800	2.72
3618643	25HCB636A30	CNPH*4821A**	58ME(B.C)040--12	35,000	12.7	16.0	1090	820	37,400	3.94	9.0	22,600	2.72
3494343	25HCB636A30	CNPH*4821A**	58ME(B.C)060--12	35,000	12.6	16.0	1115	835	37,600	3.94	9.0	22,600	2.72
3494344	25HCB636A30	CNPH*4821A**	58ME(B.C)080--12	35,000	12.6	15.5	1085	795	37,400	3.92	9.0	22,600	2.72
3494345	25HCB636A30	CNPH*4821A**	58ME(B.C)080--16	35,400	12.5	15.5	1230	1020	38,000	3.98	9.2	23,000	2.72
3494342	25HCB636A30	CNPH*4821A**	58MEB040--12	35,000	12.7	16.0	1090	820	37,400	3.94	9.0	22,600	2.72
3494227	25HCB636A30	CNPH*4821A**	58MV(B.C)100--20	34,600	12.5	15.5	1040	665	37,200	3.88	8.7	22,400	2.70
3494228	25HCB636A30	CNPH*4821A**	58MV(B.C)120--20	34,600	12.6	15.5	1010	690	37,000	3.88	8.8	22,200	2.70
3494339	25HCB636A30	CNPH*4821A**	58PH*045--08	34,600	11.9	15.0	1100	765	38,000	3.80	8.7	23,000	2.62
3494340	25HCB636A30	CNPH*4821A**	58PH*070--16	34,800	12.3	15.0	1080	945	37,600	3.86	9.0	22,800	2.66
3494341	25HCB636A30	CNPH*4821A**	58PH*090--16	35,000	12.8	15.5	1090	960	37,400	3.94	9.1	22,400	2.72
3514034	25HCB636A30	CNPH*4821A**	58VMR120--20	34,400	12.5	15.5	1000	720	37,000	3.84	8.8	22,200	2.68
4790930	25HCB636A30	CNPH*4821A**	59*P5A080E17**14	34,000	12.1	15.0	1070	740	37,000	3.82	8.7	22,800	2.64
4790931	25HCB636A30	CNPH*4821A**	59*P5A080E17**16	34,000	12.3	15.0	1055	990	37,000	3.84	8.8	22,600	2.66
4213550	25HCB636A30	CNPH*4821A**	OVLAA8048112	33,800	12.2	15.5	1085	880	36,600	3.88	8.8	22,600	2.68
4213551	25HCB636A30	CNPH*4821A**	OVLAA8060154	34,600	12.5	16.0	1250	1020	37,000	4.04	9.0	23,000	2.76
4213549	25HCB636A30	CNPH*4821A**	OVMAAB042112	33,600	12.2	15.7	1035	825	36,200	3.86	8.8	22,400	2.68
3494119	25HCB636A30	CNPH*4821A** +TDR		34,200	11.7	14.0	1050	840	38,000	3.70	8.5	23,200	2.58
3494124	25HCB636A30	CNPH*3617A**	58CV(A.X)070--12	33,400	11.9	15.0	1005	660	36,800	3.62	8.5	22,200	2.58
3494125	25HCB636A30	CNPH*3617A**	58CV(A.X)090--16	33,600	12.1	15.0	1005	670	36,600	3.66	8.5	22,000	2.60
3618640	25HCB636A30	CNPH*3617A**	58ME(B.C)040--12	33,800	12.2	15.0	1045	780	36,800	3.70	8.7	22,200	2.62
3494283	25HCB636A30	CNPH*3617A**	58ME(B.C)060--12	33,800	12.1	15.0	1055	795	36,800	3.70	8.8	22,400	2.62
3494284	25HCB636A30	CNPH*3617A**	58ME(B.C)080--12	33,600	12.2	15.0	1035	765	36,800	3.68	8.6	22,200	2.62
3494285	25HCB636A30	CNPH*3617A**	58ME(B.C)080--16	33,800	12.2	14.5	1035	965	36,800	3.70	8.9	22,400	2.62
3494282	25HCB636A30	CNPH*3617A**	58MEB040--12	33,800	12.2	15.0	1045	780	36,800	3.70	8.7	22,200	2.62
3494120	25HCB636A30	CNPH*3617A**	58MV(B.C)060--14	33,800	12.0	15.0	1055	725	37,000	3.68	8.6	22,400	2.60
3494279	25HCB636A30	CNPH*3617A**	58PH*045--08	33,400	11.5	14.5	1055	740	37,200	3.58	8.5	22,800	2.54
3494280	25HCB636A30	CNPH*3617A**	58PH*070--16	33,400	11.9	14.5	1030	905	37,000	3.62	8.7	22,400	2.56
3758999	25HCB636A30	CNPH*3617A**	58UVB060--14	33,800	12.0	15.0	1055	725	37,000	3.68	8.6	22,400	2.60
3514041	25HCB636A30	CNPH*3617A**	58VLR105--12	33,600	11.9	14.5	1065	880	37,000	3.66	8.7	22,400	2.60
3514009	25HCB636A30	CNPH*3617A**	58VMR105--12	33,200	11.9	14.5	975	800	36,600	3.60	8.6	22,200	2.56
4790958	25HCB636A30	CNPH*3617A**	59*N*A080V17**14	32,400	11.7	14.3	950	850	36,000	3.54	8.6	22,200	2.52
4790959	25HCB636A30	CNPH*3617A**	59*N*A080V17**14	32,600	11.9	14.6	970	870	36,000	3.58	8.7	22,200	2.56
4790912	25HCB636A30	CNPH*3617A**	59*P5A080E17**14	32,800	11.7	14.5	1030	710	36,400	3.60	8.5	22,400	2.56

COMBINATION RATINGS CONTINUED

AHRI Ref. No.	Model Number	Coil Model Number	Furnace Model Number	Cooling Capacity	Cooling				AHRI Standard Ratings				
					EER	SEER	ID CFM		High Temp		HSPF	Low Temp	
							High	Low	E Capacity	H Capacity		E COP	H COP
4790913	25HCB636A30	CNPV*3617A**	59*P5A080E17**16	32,800	11.9	14.5	1020	955	36,200	8.7	22,400	2.56	
4213529	25HCB636A30	CNPV*3617A**	OVMAAB042112	32,600	11.7	15.0	1035	825	35,800	8.8	22,400	2.58	
3494047	25HCB636A30	CNPV*3617A**+TDR		33,800	11.3	13.5	1200	960	38,000	8.5	23,400	2.54	
3494133	25HCB636A30	CNPV*3621A**	58CV(A,X)090-16	33,600	12.1	15.0	1005	670	36,600	8.5	22,000	2.60	
3494134	25HCB636A30	CNPV*3621A**	58CV(A,X)110-20	33,600	12.1	15.0	1025	675	36,600	8.5	22,000	2.60	
4149645	25HCB636A30	CNPV*3621A**	58HDV060-12	33,600	11.7	15.0	1085	775	37,200	7.7	22,800	2.58	
3879131	25HCB636A30	CNPV*3621A**	58HDV060-12 (DWN/FLW ONLY)	33,600	11.7	15.0	1085	775	37,200	7.7	22,800	2.58	
3618641	25HCB636A30	CNPV*3621A**	58ME(B,C)040-12	33,800	12.2	15.0	1050	785	36,800	8.8	22,200	2.62	
3494289	25HCB636A30	CNPV*3621A**	58ME(B,C)060-12	33,800	12.2	15.0	1065	800	36,800	8.7	22,400	2.62	
3494290	25HCB636A30	CNPV*3621A**	58ME(B,C)080-12	33,800	12.2	15.0	1040	765	36,800	8.7	22,200	2.62	
3494291	25HCB636A30	CNPV*3621A**	58ME(B,C)080-16	33,800	12.2	15.0	1065	970	36,800	8.9	22,400	2.62	
3494288	25HCB636A30	CNPV*3621A**	58MEB040-12	33,800	12.2	15.0	1050	785	36,800	8.8	22,200	2.62	
3494128	25HCB636A30	CNPV*3621A**	58MV(B,C)060-14	33,800	12.1	15.0	1055	725	36,800	8.6	22,400	2.62	
3494129	25HCB636A30	CNPV*3621A**	58MV(B,C)080-14	33,800	11.9	15.0	1030	660	36,800	8.5	22,400	2.58	
3494130	25HCB636A30	CNPV*3621A**	58MV(B,C)080-20	33,400	12.0	14.5	1010	630	36,600	8.5	22,200	2.58	
3494131	25HCB636A30	CNPV*3621A**	58MV(B,C)100-20	33,600	12.0	14.5	1040	665	36,800	8.5	22,200	2.60	
3494286	25HCB636A30	CNPV*3621A**	58PH*070-16	33,600	11.9	14.5	1035	905	37,000	8.7	22,400	2.58	
3494287	25HCB636A30	CNPV*3621A**	58PH*090-16	33,800	12.2	15.0	1045	910	36,800	8.8	22,200	2.62	
3759000	25HCB636A30	CNPV*3621A**	58UVB060-14	33,800	12.1	15.0	1055	725	36,800	8.6	22,400	2.62	
3759001	25HCB636A30	CNPV*3621A**	58UVB080-14	33,600	11.9	15.0	1030	660	36,800	8.5	22,400	2.58	
3759002	25HCB636A30	CNPV*3621A**	58UVB080-20	33,400	12.0	14.5	1010	630	36,600	8.5	22,200	2.58	
3759003	25HCB636A30	CNPV*3621A**	58UVB100-20	33,600	12.0	14.5	1040	665	36,800	8.5	22,200	2.60	
3514043	25HCB636A30	CNPV*3621A**	58VLR105-12	33,800	12.3	15.0	1065	880	37,000	8.7	22,400	2.60	
3514044	25HCB636A30	CNPV*3621A**	58VLR120-20	33,600	12.0	15.0	1005	765	36,600	8.6	22,000	2.62	
3514011	25HCB636A30	CNPV*3621A**	58VMR105-12	33,200	12.0	15.0	975	800	36,600	8.6	22,200	2.56	
3514013	25HCB636A30	CNPV*3621A**	58VMR120-20	33,400	12.1	15.0	1000	720	36,600	8.5	22,200	2.60	
4790960	25HCB636A30	CNPV*3621A**	59*N*A080V17**14	32,400	11.7	14.4	950	850	36,000	8.5	22,200	2.54	
4790961	25HCB636A30	CNPV*3621A**	59*N*A080V17**14	32,600	11.9	14.6	970	870	36,000	8.7	22,200	2.56	
4790962	25HCB636A30	CNPV*3621A**	59*N*A100V21**20	32,800	12.0	14.7	990	720	36,000	8.5	22,200	2.58	
4790914	25HCB636A30	CNPV*3621A**	59*P5A080E17**14	32,800	11.7	14.6	1035	710	36,400	8.5	22,400	2.56	
4790915	25HCB636A30	CNPV*3621A**	59*P5A080E17**16	32,800	11.9	14.5	1025	955	36,200	8.7	22,400	2.58	
4213531	25HCB636A30	CNPV*3621A**	OVLAAB048112	32,800	11.7	14.7	1085	880	36,200	8.8	22,600	2.58	
4213530	25HCB636A30	CNPV*3621A**	OVMAAB042112	32,800	11.7	15.0	1035	825	35,800	8.8	22,400	2.58	
3494048	25HCB636A30	CNPV*3621A**+TDR		33,800	11.3	13.5	1200	960	38,000	8.5	23,400	2.54	
3494141	25HCB636A30	CNPV*3717A**	58CV(A,X)070-12	34,800	12.4	15.5	1005	660	37,400	8.6	22,600	2.68	
3494142	25HCB636A30	CNPV*3717A**	58CV(A,X)090-16	35,000	12.7	15.5	1005	670	37,400	8.7	22,400	2.72	
3494296	25HCB636A30	CNPV*3717A**	58ME(B,C)060-12	35,400	12.7	16.0	1090	815	37,800	9.0	22,800	2.74	
3494297	25HCB636A30	CNPV*3717A**	58ME(B,C)080-12	35,200	12.7	16.0	1060	785	37,600	9.0	22,600	2.72	
3494298	25HCB636A30	CNPV*3717A**	58ME(B,C)080-16	35,400	12.7	16.0	1085	990	37,800	9.2	22,800	2.74	
3494295	25HCB636A30	CNPV*3717A**	58MEB040-12	35,400	12.8	16.0	1070	805	37,600	9.0	22,600	2.74	
3494137	25HCB636A30	CNPV*3717A**	58MV(B,C)060-14	35,200	12.6	16.0	1055	725	37,600	8.8	22,600	2.72	
3494292	25HCB636A30	CNPV*3717A**	58PH*045-08	35,000	12.0	15.0	1080	755	38,000	8.8	23,200	2.64	
3494293	25HCB636A30	CNPV*3717A**	58PH*070-16	35,000	12.4	15.0	1055	925	37,800	9.0	22,800	2.68	
3759004	25HCB636A30	CNPV*3717A**	58UVB060-14	35,200	12.6	16.0	1055	725	37,600	8.8	22,600	2.72	
3514045	25HCB636A30	CNPV*3717A**	58VLR105-12	35,200	12.5	15.5	1065	880	37,800	9.0	22,800	2.70	
3514014	25HCB636A30	CNPV*3717A**	58VMR105-12	34,600	12.5	15.5	975	800	37,200	8.8	22,400	2.68	
4790963	25HCB636A30	CNPV*3717A**	59*N*A080V17**14	33,800	12.1	15.1	950	850	36,600	8.9	22,400	2.64	
4790964	25HCB636A30	CNPV*3717A**	59*N*A080V17**14	34,000	12.2	15.2	970	870	36,600	9.0	22,400	2.66	
4790916	25HCB636A30	CNPV*3717A**	59*P5A080E17**14	34,200	12.1	15.2	1050	730	37,200	8.8	22,800	2.66	
4790917	25HCB636A30	CNPV*3717A**	59*P5A080E17**16	34,200	12.2	15.2	1040	975	37,200	9.0	22,800	2.68	
4213532	25HCB636A30	CNPV*3717A**	OVMAAB042112	34,000	12.2	15.7	1035	825	36,600	8.8	22,600	2.70	
3494111	25HCB636A30	CNPV*3717A**+TDR		34,600	11.8	14.0	1050	840	38,000	8.5	23,200	2.60	

See notes on pg. 35



25HCB6

COMBINATION RATINGS CONTINUED

AHRI Ref. No.	Model Number	Coil Model Number	Furnace Model Number	Cooling Capacity	Cooling				AHRI Standard Ratings				
					SEER	ID CFM		High Temp		HSPF	Low Temp		
						High	Low	E Capacity	H Capacity		E COP	H COP	
3494148	25HCB636A30	CNPV*4217A**	58CV(A)X070-12	34,200	12.2	15.0	1005	660	37,000	3.76	8.6	22,400	2.62
3494149	25HCB636A30	CNPV*4217A**	58CV(A)X090-16	34,200	12.4	15.5	1005	670	37,000	3.76	8.6	22,400	2.66
3618825	25HCB636A30	CNPV*4217A**	58ME(B)C040-12	34,600	12.5	15.5	1060	795	37,200	3.84	9.0	22,400	2.68
3494303	25HCB636A30	CNPV*4217A**	58ME(B)C060-12	34,600	12.4	15.5	1075	805	37,400	3.84	8.9	22,600	2.68
3494304	25HCB636A30	CNPV*4217A**	58ME(B)C080-12	34,400	12.4	15.5	1050	775	37,200	3.84	8.9	22,400	2.68
3494305	25HCB636A30	CNPV*4217A**	58ME(B)C080-16	34,600	12.5	15.5	1075	980	37,400	3.84	9.0	22,600	2.68
3494302	25HCB636A30	CNPV*4217A**	58MEB040-12	34,600	12.5	15.5	1060	795	37,200	3.84	9.0	22,400	2.68
3494144	25HCB636A30	CNPV*4217A**	58MV(B)C060-14	34,400	12.3	15.5	1055	725	37,200	3.82	8.7	22,400	2.66
3494299	25HCB636A30	CNPV*4217A**	58PH*045-08	34,200	11.8	15.0	1070	745	37,600	3.72	8.6	23,000	2.60
3494300	25HCB636A30	CNPV*4217A**	58PH*070-16	34,200	12.1	15.0	1045	915	37,400	3.76	8.9	22,600	2.62
3759005	25HCB636A30	CNPV*4217A**	58UVB060-12	34,400	12.3	15.5	1055	725	37,200	3.82	8.7	22,400	2.66
3514047	25HCB636A30	CNPV*4217A**	58VLR105-12	34,400	12.3	15.0	1065	880	37,400	3.80	8.9	22,600	2.64
3514018	25HCB636A30	CNPV*4217A**	58VMR105-12	34,000	12.2	15.0	975	800	37,000	3.72	8.8	22,200	2.62
4790965	25HCB636A30	CNPV*4217A**	59*N*A060V17**14	33,000	12.0	14.7	950	850	36,200	3.66	8.7	22,400	2.58
4790966	25HCB636A30	CNPV*4217A**	59*N*A080V17**14	33,200	12.0	15.0	970	870	36,200	3.72	8.8	22,200	2.62
4790918	25HCB636A30	CNPV*4217A**	59*P5A060E17**14	33,400	12.0	14.9	1040	715	36,800	3.74	8.6	22,600	2.62
4790919	25HCB636A30	CNPV*4217A**	59*P5A080E17**16	33,600	12.0	14.8	1030	965	36,600	3.76	8.8	22,600	2.62
4213533	25HCB636A30	CNPV*4217A**	OVMAAB042112	33,200	12.0	15.5	1035	825	36,200	3.78	8.8	22,600	2.64
3494112	25HCB636A30	CNPV*4217A**+TDR		34,000	11.6	13.5	1050	840	37,800	3.66	8.5	23,000	2.56
3494157	25HCB636A30	CNPV*4221A**	58CV(A)X090-16	34,000	12.3	15.0	1005	670	36,800	3.74	8.5	22,200	2.64
3494158	25HCB636A30	CNPV*4221A**	58CV(A)X110-20	34,000	12.3	15.0	1020	675	36,800	3.76	8.5	22,200	2.64
4149846	25HCB636A30	CNPV*4221A**	58HDV060--12	34,000	11.9	15.0	1095	780	37,600	3.72	7.7	22,800	2.60
3879132	25HCB636A30	CNPV*4221A**	58HDV060--12 (DWNFLW ONLY)	34,000	11.9	15.0	1095	780	37,600	3.72	7.7	22,800	2.60
3618826	25HCB636A30	CNPV*4221A**	58ME(B)C040-12	34,200	12.4	15.0	1065	790	37,000	3.80	8.8	22,400	2.66
3494309	25HCB636A30	CNPV*4221A**	58ME(B)C060-12	34,400	12.3	15.0	1080	805	37,200	3.80	8.8	22,400	2.66
3494310	25HCB636A30	CNPV*4221A**	58ME(B)C080-12	34,200	12.3	15.0	1055	770	37,000	3.78	8.8	22,400	2.66
3494311	25HCB636A30	CNPV*4221A**	58ME(B)C080-16	34,200	12.4	15.0	1075	980	37,200	3.78	9.0	22,400	2.66
3494308	25HCB636A30	CNPV*4221A**	58MEB040-12	34,200	12.4	15.0	1065	790	37,000	3.78	8.8	22,400	2.66
3494152	25HCB636A30	CNPV*4221A**	58MV(B)C060-14	34,200	12.2	15.5	1055	725	37,000	3.76	8.7	22,400	2.64
3494153	25HCB636A30	CNPV*4221A**	58MV(B)C080-14	34,000	12.1	15.0	1030	660	37,000	3.72	8.5	22,400	2.62
3494154	25HCB636A30	CNPV*4221A**	58MV(B)C080-20	33,800	12.2	15.0	1010	630	36,800	3.72	8.3	22,200	2.62
3494155	25HCB636A30	CNPV*4221A**	58MV(B)C100-20	34,000	12.2	15.0	1040	665	37,000	3.76	8.5	22,400	2.64
3494306	25HCB636A30	CNPV*4221A**	58PH*070-16	34,000	12.0	14.5	1045	915	37,200	3.70	8.8	22,600	2.60
3494307	25HCB636A30	CNPV*4221A**	58PH*090-16	34,200	12.4	15.0	1055	925	37,000	3.80	9.0	22,200	2.66
3759006	25HCB636A30	CNPV*4221A**	58UVB060-14	34,200	12.2	15.5	1030	725	37,000	3.76	8.7	22,400	2.64
3759007	25HCB636A30	CNPV*4221A**	58UVB080-14	34,000	12.1	15.0	1030	660	37,000	3.72	8.5	22,400	2.62
3759008	25HCB636A30	CNPV*4221A**	58UVB080-20	33,800	12.2	15.0	1010	630	36,800	3.72	8.3	22,200	2.62
3759009	25HCB636A30	CNPV*4221A**	58UVB100-20	34,000	12.2	15.0	1040	665	37,000	3.76	8.5	22,400	2.64
3514049	25HCB636A30	CNPV*4221A**	58VLR105-12	34,200	12.2	15.0	1065	880	37,200	3.74	8.9	22,600	2.62
3514050	25HCB636A30	CNPV*4221A**	58VLR120-20	34,000	12.4	15.0	1005	765	36,800	3.76	8.7	22,000	2.66
3514020	25HCB636A30	CNPV*4221A**	58VMR105-12	33,800	12.1	15.0	975	800	36,800	3.68	8.7	22,200	2.60
3514021	25HCB636A30	CNPV*4221A**	58VMR120-20	33,800	12.2	15.0	1000	720	36,800	3.72	8.6	22,200	2.62
4790967	25HCB636A30	CNPV*4221A**	59*N*A060V17**14	32,800	11.8	14.6	950	850	36,000	3.62	8.5	22,200	2.56
4790968	25HCB636A30	CNPV*4221A**	59*N*A080V17**14	33,000	12.0	14.8	970	870	36,200	3.66	8.8	22,200	2.58
4790969	25HCB636A30	CNPV*4221A**	59*N*A100V21**20	33,200	12.0	14.9	990	720	36,200	3.70	8.6	22,200	2.60
4790920	25HCB636A30	CNPV*4221A**	59*P5A060E17**14	33,200	11.8	14.7	1045	715	36,600	3.70	8.5	22,600	2.60
4790921	25HCB636A30	CNPV*4221A**	59*P5A080E17**16	33,200	12.0	14.7	1030	965	36,600	3.74	8.8	22,400	2.60
4213535	25HCB636A30	CNPV*4221A**	OVLAAB048112	33,200	11.7	15.0	1085	880	36,400	3.74	8.8	22,600	2.62
4213534	25HCB636A30	CNPV*4221A**	OVMAAB042112	33,000	11.7	15.2	1035	825	36,000	3.72	8.8	22,400	2.62
3494113	25HCB636A30	CNPV*4221A**+TDR		33,600	11.5	13.5	1050	840	37,600	3.62	8.5	23,000	2.54
4149847	25HCB636A30	CNPV*4324A**	58HDV080--20	36,000	12.7	16.0	1230	965	38,500	4.08	7.9	23,200	2.78
3879133	25HCB636A30	CNPV*4324A**	58HDV080--20 (DWNFLW ONLY)	36,000	12.7	16.0	1230	965	38,500	4.08	7.9	23,200	2.78

COMBINATION RATINGS CONTINUED

AHRI Ref. No.	Model Number	Coil Model Number	Furnace Model Number	Cooling Capacity	Cooling				AHRI Standard Ratings				
					EER	SEER	ID CFM		High Temp		HSPF	Low Temp	
							High	Low	E Capacity	H Capacity		H COP	H COP
4149648	25HCB636A30	CNPV*4324A**	58HDV100--20	35,800	12.8	16.0	1155	920	38,000	4.06	7.9	23,000	2.78
3879134	25HCB636A30	CNPV*4324A**	58HDV100--20 (DWNFLW ONLY)	35,800	12.8	16.0	1155	920	38,000	4.06	7.9	23,000	2.78
4790970	25HCB636A30	CNPV*4324A**	59*N*A100V21**20	34,200	12.5	15.5	990	720	36,600	3.90	8.8	22,400	2.70
4790971	25HCB636A30	CNPV*4324A**	59*N*A120V24**22	34,200	12.5	15.6	980	700	36,600	3.92	8.9	22,200	2.70
4213536	25HCB636A30	CNPV*4324A**	OVLAA8048112	34,200	12.5	15.7	1085	880	36,800	3.98	9.0	22,800	2.72
4214092	25HCB636A30	CNPV*4324A**	OVLAA8060154	35,200	12.7	16.2	1250	1020	37,400	4.14	9.0	23,000	2.80
3494177	25HCB636A30	CNPV*4821A**	58CV(A,X)090--16	34,600	12.6	15.5	1005	670	37,000	3.86	8.7	22,200	2.70
3494178	25HCB636A30	CNPV*4821A**	58CV(A,X)110--20	34,600	12.6	15.5	1020	675	37,000	3.88	8.7	22,200	2.70
4149649	25HCB636A30	CNPV*4821A**	58HDV040--12	34,400	11.9	15.0	1080	835	38,000	3.76	7.7	23,200	2.62
3879135	25HCB636A30	CNPV*4821A**	58HDV040--12 (DWNFLW ONLY)	34,400	11.9	15.0	1080	835	38,000	3.76	7.7	23,200	2.62
4149650	25HCB636A30	CNPV*4821A**	58HDV060--12	34,800	12.2	15.5	1130	815	38,000	3.86	7.7	23,000	2.66
3879136	25HCB636A30	CNPV*4821A**	58HDV060--12 (DWNFLW ONLY)	34,800	12.2	15.5	1130	815	38,000	3.86	7.7	23,000	2.66
3618628	25HCB636A30	CNPV*4821A**	58ME(B,C)060--12	35,000	12.5	16.0	1090	820	37,400	3.94	9.0	22,600	2.72
3494321	25HCB636A30	CNPV*4821A**	58ME(B,C)080--12	35,000	12.6	16.0	1095	795	37,400	3.92	9.0	22,600	2.72
3494323	25HCB636A30	CNPV*4821A**	58ME(B,C)080--16	35,400	12.5	15.5	1230	1020	38,000	3.98	9.2	23,000	2.72
3494320	25HCB636A30	CNPV*4821A**	58ME(B,C)080--14	35,000	12.5	16.0	1090	820	37,400	3.94	9.0	22,600	2.72
3494172	25HCB636A30	CNPV*4821A**	58MB(B,C)060--14	34,800	12.6	15.5	1055	725	37,200	3.90	8.8	22,400	2.70
3494173	25HCB636A30	CNPV*4821A**	58MB(B,C)080--14	34,800	12.4	15.5	1030	660	37,200	3.84	8.6	22,400	2.68
3494174	25HCB636A30	CNPV*4821A**	58MB(B,C)080--20	34,400	12.5	15.0	1010	630	37,200	3.84	8.5	22,400	2.68
3494175	25HCB636A30	CNPV*4821A**	58MB(B,C)100--20	34,600	12.5	15.0	1040	665	37,200	3.88	8.7	22,400	2.70
3494318	25HCB636A30	CNPV*4821A**	58PH*070--16	34,800	12.3	15.0	1080	945	37,600	3.86	9.0	22,800	2.66
3494319	25HCB636A30	CNPV*4821A**	58PH*090--16	35,000	12.8	15.5	1090	960	37,400	3.94	9.0	22,400	2.72
3759010	25HCB636A30	CNPV*4821A**	58VB060--14	34,800	12.6	15.5	1055	725	37,200	3.90	8.8	22,400	2.70
3759011	25HCB636A30	CNPV*4821A**	58VB080--14	34,600	12.4	15.5	1030	660	37,200	3.84	8.6	22,400	2.68
3759012	25HCB636A30	CNPV*4821A**	58VB080--20	34,400	12.5	15.0	1010	630	37,200	3.84	8.5	22,400	2.68
3759013	25HCB636A30	CNPV*4821A**	58VBR100--20	34,600	12.5	15.5	1040	665	37,200	3.88	8.7	22,400	2.70
3514053	25HCB636A30	CNPV*4821A**	58VLR105--12	34,800	12.5	15.5	1065	880	37,400	3.88	9.0	22,600	2.66
3514054	25HCB636A30	CNPV*4821A**	58VLR120--20	34,600	12.7	15.5	1005	765	37,000	3.88	9.0	22,200	2.70
3514026	25HCB636A30	CNPV*4821A**	58VMR105--12	34,200	12.5	15.5	975	800	37,000	3.80	9.0	22,200	2.66
3514027	25HCB636A30	CNPV*4821A**	58VMR120--20	34,400	12.5	15.5	1000	720	37,000	3.84	8.8	22,200	2.68
4790972	25HCB636A30	CNPV*4821A**	59*N*A060V17**14	33,400	12.1	15.0	950	850	36,400	3.72	8.6	22,200	2.62
4790973	25HCB636A30	CNPV*4821A**	59*N*A080V17**14	33,600	12.3	15.0	970	870	36,400	3.78	8.9	22,200	2.64
4790974	25HCB636A30	CNPV*4821A**	59*N*A100V21**20	33,600	12.4	15.2	990	720	36,400	3.82	8.8	22,200	2.66
4790922	25HCB636A30	CNPV*4821A**	59*P5A060E17**14	34,000	12.1	15.0	1070	740	37,000	3.82	8.7	22,800	2.64
4790923	25HCB636A30	CNPV*4821A**	59*P5A080E17**16	34,000	12.3	15.0	1055	990	37,000	3.84	9.0	22,600	2.66
4213538	25HCB636A30	CNPV*4821A**	OVLAA8048112	33,800	12.2	15.5	1085	880	36,600	3.88	8.8	22,600	2.68
4213537	25HCB636A30	CNPV*4821A**	OVLAA8042112	33,600	12.2	15.7	1035	825	36,200	3.86	8.8	22,400	2.68
3494115	25HCB636A30	CNPV*4821A**+TDR	58CV(A,X)110--20	34,200	11.7	14.0	1050	840	38,000	3.70	8.5	23,200	2.58
3494186	25HCB636A30	CNPV*4824A**	58CV(A,X)135--22	34,600	12.4	15.5	1020	675	37,000	3.88	8.7	22,200	2.70
3494187	25HCB636A30	CNPV*4824A**	58CV(A,X)155--22	34,800	12.7	15.5	1010	675	37,000	3.88	8.7	22,200	2.70
3494188	25HCB636A30	CNPV*4824A**	58CV(A,X)155--22	34,600	12.8	15.5	1015	675	37,000	3.92	8.8	22,200	2.72
4149651	25HCB636A30	CNPV*4824A**	58HDV080--20	35,400	12.5	15.5	1220	950	38,000	3.98	7.8	23,200	2.74
3879137	25HCB636A30	CNPV*4824A**	58HDV080--20 (DWNFLW ONLY)	35,400	12.5	15.5	1220	950	38,000	3.98	7.8	23,200	2.74
4149652	25HCB636A30	CNPV*4824A**	58HDV100--20	35,200	12.6	16.0	1140	905	37,600	3.96	7.8	22,800	2.72
3879138	25HCB636A30	CNPV*4824A**	58HDV100--20 (DWNFLW ONLY)	35,200	12.6	16.0	1140	905	37,600	3.96	7.8	22,800	2.72
3494182	25HCB636A30	CNPV*4824A**	58MV(B,C)080--14	34,600	12.4	15.5	1030	660	37,200	3.84	8.6	22,400	2.68
3494183	25HCB636A30	CNPV*4824A**	58MV(B,C)080--20	34,400	12.5	15.0	1010	630	37,200	3.84	8.6	22,400	2.68
3494184	25HCB636A30	CNPV*4824A**	58MV(B,C)100--20	34,600	12.5	15.0	1040	665	37,200	3.88	8.7	22,400	2.70

See notes on pg. 35

COMBINATION RATINGS CONTINUED

AHRI Ref. No.	Model Number	Coil Model Number	Furnace Model Number	Cooling Capacity	Cooling				AHRI Standard Ratings				
					SEER	ID CFM		High Temp		HSPF	Low Temp		
						High	Low	E Capacity	H Capacity		E COP	H COP	
3494185	25HCB636A30	CNPV*4824A**	58MV(B,C)120-20	34,600	12.6	15.5	1010	690	37,000	3.88	8.7	22,200	2.70
3494324	25HCB636A30	CNPV*4824A**	58PH*090-16	35,000	12.8	15.5	1090	960	37,000	3.94	9.0	22,400	2.72
3759014	25HCB636A30	CNPV*4824A**	58UVB080-14	34,600	12.4	15.5	1030	660	37,200	3.84	8.6	22,400	2.68
3759015	25HCB636A30	CNPV*4824A**	58UVB080-20	34,400	12.5	15.0	1010	630	37,200	3.84	8.6	22,400	2.68
3759016	25HCB636A30	CNPV*4824A**	58UVB100-20	34,600	12.5	15.0	1040	665	37,200	3.88	8.7	22,400	2.70
3759017	25HCB636A30	CNPV*4824A**	58UVB120-20	34,600	12.6	15.5	1010	690	37,000	3.88	8.7	22,200	2.70
3514055	25HCB636A30	CNPV*4824A**	58VLR120-20	34,600	12.7	15.5	1005	765	37,000	3.88	9.0	22,200	2.70
3514028	25HCB636A30	CNPV*4824A**	58VLR120-20	34,400	12.5	15.5	1000	720	37,000	3.84	8.8	22,200	2.68
4790975	25HCB636A30	CNPV*4824A**	59*N*A100V21**20	33,600	12.4	15.2	990	720	36,400	3.82	8.8	22,200	2.66
4790976	25HCB636A30	CNPV*4824A**	59*N*A120V24**22	33,600	12.5	15.3	980	700	36,200	3.82	8.8	22,200	2.68
4213539	25HCB636A30	CNPV*4824A**	OVLAA8048112	33,800	12.2	15.5	1085	880	36,600	3.88	8.8	22,600	2.68
4213540	25HCB636A30	CNPV*4824A**	OVLAA8060154	34,600	12.5	16.0	1250	1020	37,000	4.04	9.0	23,000	2.76
3494116	25HCB636A30	CNPV*4824A**+TDR		34,200	11.7	14.0	1050	840	38,000	3.70	8.5	23,200	2.58
3494240	25HCB636A30	CSPH*3612A**	58CV(A,X)070-12	34,200	12.2	15.0	1020	660	37,200	3.78	8.5	22,400	2.64
3494241	25HCB636A30	CSPH*3612A**	58CV(A,X)090-16	34,400	12.5	15.5	1005	670	37,000	3.82	8.6	22,400	2.66
3494242	25HCB636A30	CSPH*3612A**	58CV(A,X)110-20	34,400	12.5	15.5	1020	675	37,000	3.82	8.6	22,400	2.68
3494243	25HCB636A30	CSPH*3612A**	58CV(A,X)135-22	34,400	12.5	15.5	1010	675	37,000	3.82	8.6	22,200	2.68
3494244	25HCB636A30	CSPH*3612A**	58CV(A,X)155-22	34,600	12.7	15.5	1015	675	37,000	3.86	8.6	22,200	2.70
3618644	25HCB636A30	CSPH*3612A**	58ME(B,C)040-12	34,800	12.5	15.5	1065	790	37,200	3.86	8.8	22,400	2.68
3494350	25HCB636A30	CSPH*3612A**	58ME(B,C)060-12	34,800	12.5	15.5	1080	805	37,400	3.86	9.0	22,600	2.68
3494351	25HCB636A30	CSPH*3612A**	58ME(B,C)080-12	34,600	12.5	15.5	1055	770	37,200	3.86	8.8	22,400	2.68
3494352	25HCB636A30	CSPH*3612A**	58ME(B,C)080-16	34,800	12.5	15.5	1080	980	37,400	3.86	9.0	22,600	2.68
3494349	25HCB636A30	CSPH*3612A**	58MEB040-12	34,800	12.5	15.5	1065	790	37,200	3.86	8.8	22,400	2.68
3494235	25HCB636A30	CSPH*3612A**	58MV(B,C)060-14	34,600	12.4	15.5	1055	725	37,200	3.84	8.7	22,600	2.68
3494236	25HCB636A30	CSPH*3612A**	58MV(B,C)080-14	34,400	12.3	15.0	1030	660	37,200	3.80	8.5	22,600	2.64
3494237	25HCB636A30	CSPH*3612A**	58MV(B,C)080-20	34,400	12.3	15.0	1010	630	37,000	3.80	8.7	22,400	2.64
3494238	25HCB636A30	CSPH*3612A**	58MV(B,C)100-20	34,600	12.4	15.0	1040	665	37,200	3.82	8.6	22,400	2.66
3494239	25HCB636A30	CSPH*3612A**	58MV(B,C)120-20	34,400	12.5	15.0	1010	690	37,000	3.82	8.7	22,200	2.66
3494234	25HCB636A30	CSPH*3612A**	58MV(B,C)040-14	34,200	12.2	15.0	1000	675	37,200	3.76	8.5	22,400	2.62
3494346	25HCB636A30	CSPH*3612A**	58PH*045-08	34,400	11.9	15.0	1075	745	37,800	3.74	8.5	23,000	2.60
3494347	25HCB636A30	CSPH*3612A**	58PH*070-16	34,400	12.2	15.0	1045	915	37,400	3.78	8.8	22,600	2.64
3494348	25HCB636A30	CSPH*3612A**	58PH*090-16	34,800	12.6	15.5	1060	925	37,200	3.88	9.0	22,400	2.70
3514035	25HCB636A30	CSPH*3612A**	58VNR105-12	34,200	12.3	15.0	975	800	37,000	3.74	8.8	22,200	2.62
3514037	25HCB636A30	CSPH*3612A**	58VNR120-20	34,400	12.4	15.0	1000	720	37,000	3.78	8.7	22,400	2.66
4790982	25HCB636A30	CSPH*3612A**	59*P5A080E17**14	33,800	12.0	15.0	1045	710	36,800	3.76	8.6	22,600	2.62
4790983	25HCB636A30	CSPH*3612A**	59*P5A080E17**16	33,800	12.2	14.9	1035	965	36,800	3.78	8.8	22,600	2.64
4213553	25HCB636A30	CSPH*3612A**	OVLAA8048112	33,600	12.0	15.2	1085	880	36,600	3.82	8.8	22,800	2.64
4213554	25HCB636A30	CSPH*3612A**	OVLAA8060154	34,600	12.2	15.7	1250	1020	37,000	3.98	9.0	23,000	2.74
4213552	25HCB636A30	CSPH*3612A**	OVLAA8042112	33,400	12.0	15.5	1035	825	36,200	3.80	8.8	22,600	2.64
3494191	25HCB636A30	CSPH*3612A**+TDR		34,200	11.6	13.5	1050	840	37,800	3.68	8.5	23,000	2.56
3494251	25HCB636A30	CSPH*4212A**	58CV(A,X)070-12	34,600	12.3	15.0	1005	660	37,200	3.80	8.5	22,400	2.66
3494252	25HCB636A30	CSPH*4212A**	58CV(A,X)090-16	34,600	12.6	15.5	1005	670	37,000	3.86	8.6	22,200	2.68
3494253	25HCB636A30	CSPH*4212A**	58CV(A,X)110-20	34,800	12.6	15.5	1020	675	37,200	3.86	8.6	22,400	2.68
3494254	25HCB636A30	CSPH*4212A**	58CV(A,X)135-22	34,800	12.7	15.5	1010	675	37,000	3.88	8.6	22,200	2.70
3494255	25HCB636A30	CSPH*4212A**	58CV(A,X)155-22	34,800	12.8	15.5	1015	675	37,000	3.90	8.7	22,200	2.72
3618645	25HCB636A30	CSPH*4212A**	58ME(B,C)040-12	35,000	12.7	16.0	1075	800	37,400	3.92	9.0	22,600	2.72
3494357	25HCB636A30	CSPH*4212A**	58MEB040-12	35,000	12.7	16.0	1075	800	37,400	3.92	9.0	22,600	2.72
3494247	25HCB636A30	CSPH*4212A**	58MV(B,C)060-14	34,800	12.5	15.5	1055	725	37,400	3.88	8.8	22,600	2.70
3494248	25HCB636A30	CSPH*4212A**	58MV(B,C)080-14	34,600	12.4	15.0	1030	660	37,400	3.84	8.6	22,600	2.66
3494249	25HCB636A30	CSPH*4212A**	58MV(B,C)080-20	34,600	12.4	15.0	1010	630	37,200	3.84	8.5	22,400	2.66
3494249	25HCB636A30	CSPH*4212A**	58MV(B,C)100-20	34,800	12.5	15.5	1040	665	37,200	3.86	8.6	22,400	2.68
3494250	25HCB636A30	CSPH*4212A**	58MV(B,C)120-20	34,600	12.6	15.5	1010	690	37,000	3.86	8.7	22,200	2.68
3494245	25HCB636A30	CSPH*4212A**	58MV(B,C)040-14	34,400	12.3	15.5	1000	675	37,200	3.80	8.6	22,400	2.64

COMBINATION RATINGS CONTINUED

AHRI Ref. No.	Model Number	Coil Model Number	Furnace Model Number	Cooling Capacity	Cooling				AHRI Standard Ratings				
					EER	SEER	ID CFM		High Temp		HSPF	Low Temp	
							High	Low	E Capacity	H Capacity		E COP	H COP
3494354	25HCB6636A30	CSPH*4212A**	58PH*045-08	34,800	11.9	15.0	1080	750	37,800	3.78	8.6	23,000	2.62
3494355	25HCB6636A30	CSPH*4212A**	58PH*070-16	34,800	12.3	15.0	1060	925	37,600	3.84	9.0	22,800	2.66
3494356	25HCB6636A30	CSPH*4212A**	58PH*090-16	35,000	12.7	15.5	1070	935	37,400	3.92	9.0	22,400	2.72
3514038	25HCB6636A30	CSPH*4212A**	58VMR105-12	34,400	12.4	15.5	975	800	37,000	3.78	8.9	22,400	2.64
3514039	25HCB6636A30	CSPH*4212A**	58VMR120-20	34,000	12.5	15.5	1000	720	37,000	3.82	8.7	22,400	2.66
4790834	25HCB6636A30	CSPH*4212A**	59*P5A080E17**14	34,000	11.7	14.7	1055	720	37,000	3.80	8.5	22,800	2.64
4790935	25HCB6636A30	CSPH*4212A**	59*P5A080E17**16	34,000	12.3	15.0	1040	975	36,800	3.82	8.8	22,600	2.64
4213556	25HCB6636A30	CSPH*4212A**	OVLAAB048112	33,800	12.2	15.5	1085	880	36,600	3.86	8.8	22,800	2.68
4213557	25HCB6636A30	CSPH*4212A**	OVLAAB060154	34,800	12.5	15.7	1250	1020	37,000	4.04	9.0	23,000	2.76
4213555	25HCB6636A30	CSPH*4212A**	OVMAAB042112	33,600	12.2	15.7	1035	825	36,400	3.84	8.8	22,600	2.66
3494192	25HCB6636A30	CSPH*4212A**+TDR		34,400	11.7	13.5	1050	840	38,000	3.72	8.5	23,200	2.58
3494262	25HCB6636A30	CSPH*4812A**	58CV(A.X)070-12	34,800	12.4	15.0	1005	660	37,200	3.84	8.6	22,400	2.66
3494283	25HCB6636A30	CSPH*4812A**	58CV(A.X)090-16	34,800	12.6	15.5	1005	670	37,200	3.88	8.7	22,400	2.70
3494257	25HCB6636A30	CSPH*4812A**	58MV(B.C)060-14	35,000	12.6	15.5	1055	725	37,400	3.90	8.8	22,600	2.70
3494258	25HCB6636A30	CSPH*4812A**	58MV(B.C)080-14	34,800	12.4	15.0	1030	660	37,400	3.86	8.6	22,600	2.68
3494259	25HCB6636A30	CSPH*4812A**	58MV(B.C)080-20	34,800	12.5	15.5	1010	630	37,200	3.86	8.5	22,400	2.68
3494260	25HCB6636A30	CSPH*4812A**	58MV(B.C)100-20	35,000	12.5	15.5	1040	665	37,400	3.90	8.6	22,600	2.70
3494281	25HCB6636A30	CSPH*4812A**	58MV(B.C)120-20	34,800	12.7	15.5	1010	690	37,200	3.88	8.8	22,400	2.70
3494256	25HCB6636A30	CSPH*4812A**	58MV(B.C)040-14	34,800	12.4	15.0	1000	675	37,200	3.82	8.6	22,400	2.66
3514040	25HCB6636A30	CSPH*4812A**	58VMR105-12	34,800	12.5	15.5	975	800	37,200	3.82	9.0	22,400	2.66
4790936	25HCB6636A30	CSPH*4812A**	59*P5A080E17**14	34,200	12.0	15.0	1055	730	37,200	3.84	8.5	22,800	2.64
4790937	25HCB6636A30	CSPH*4812A**	59*P5A080E17**16	34,200	12.3	15.0	1040	975	37,000	3.84	8.8	22,600	2.66
4213559	25HCB6636A30	CSPH*4812A**	OVLAAB048112	34,000	12.2	15.5	1085	880	36,800	3.88	8.8	22,800	2.68
4213560	25HCB6636A30	CSPH*4812A**	OVLAAB060154	35,000	12.5	16.0	1250	1020	37,000	4.06	9.0	23,200	2.76
4213558	25HCB6636A30	CSPH*4812A**	OVMAAB042112	33,800	12.2	15.7	1035	825	36,400	3.86	8.8	22,600	2.68
3494193	25HCB6636A30	CSPH*4812A**+TDR		34,400	11.7	13.5	1050	840	38,000	3.74	8.5	23,200	2.58
3494194	25HCB6636A30	FV4CN(B,F)005		35,200	13.0	16.0	1050	840	37,200	3.96	9.2	22,200	2.74
3494195	25HCB6636A30	FV4CNB006		35,600	13.3	16.0	1050	840	37,400	4.06	9.2	22,200	2.80
4679718	25HCB6636A30	FV4CNF002		33,000	12.0	15.0	1050	840	36,400	3.74	8.5	22,400	2.60
3494362	25HCB6648A30	FV4CN(B,F)005		47,000	12.5	16.0	1400	1120	48,000	3.60	9.1	29,000	2.80
3494438	25HCB6648A30	CAP**4817A**	58CV(A.X)090-16	46,000	12.0	15.0	1345	835	48,000	3.54	8.6	29,600	2.72
3494466	25HCB6648A30	CAP**4817A**	58ME(B.C)080-16	46,500	11.9	15.0	1415	1095	48,500	3.54	9.0	30,200	2.74
4790978	25HCB6648A30	CAP**4817A**	59*P5A080E17**16	45,000	11.6	14.7	1350	980	47,500	3.46	8.8	30,000	2.66
3494431	25HCB6648A30	CAP**4817A**+TDR		46,000	11.7	14.0	1400	1120	48,500	3.50	8.7	30,200	2.70
3494443	25HCB6648A30	CAP**4821A**	58CV(A.X)090-16	45,500	11.9	15.0	1345	835	48,000	3.50	8.5	29,400	2.70
3494444	25HCB6648A30	CAP**4821A**	58CV(A.X)110-20	46,000	12.0	15.0	1355	850	48,000	3.52	8.5	29,400	2.72
3494445	25HCB6648A30	CAP**4821A**	58CV(A.X)135-22	46,000	12.2	15.0	1355	845	48,000	3.54	8.5	29,200	2.74
3494468	25HCB6648A30	CAP**4821A**	58ME(B.C)080-16	46,000	11.8	15.0	1430	1105	48,500	3.50	9.0	29,800	2.70
3494469	25HCB6648A30	CAP**4821A**	58ME(B.C)100-20	46,000	12.2	15.5	1050	1050	48,000	3.54	9.0	29,400	2.74
3494440	25HCB6648A30	CAP**4821A**	58MV(B.C)080-20	45,500	11.8	15.0	1310	840	48,000	3.46	8.5	29,400	2.68
3494441	25HCB6648A30	CAP**4821A**	58MV(B.C)100-20	46,000	11.8	15.0	1395	1040	48,500	3.48	8.8	29,800	2.68
3757748	25HCB6648A30	CAP**4821A**	58UVB080-20	45,500	11.8	15.0	1310	840	48,000	3.46	8.5	29,400	2.68
3757749	25HCB6648A30	CAP**4821A**	58UVB100-20	46,000	11.8	15.0	1395	1040	48,500	3.48	8.8	29,800	2.68
3514052	25HCB6648A30	CAP**4821A**	58VMR120-20	46,000	12.1	15.0	1350	1170	48,000	3.52	8.9	29,200	2.72
3514062	25HCB6648A30	CAP**4821A**	58VMR120-20	45,500	11.9	15.0	1355	1155	48,000	3.50	8.8	29,400	2.70
4791013	25HCB6648A30	CAP**4821A**	59*N*A100V21**20	44,500	11.8	14.9	1315	1140	47,000	3.46	8.9	29,400	2.66
4790979	25HCB6648A30	CAP**4821A**	59*P5A080E17**16	44,500	11.5	14.9	1365	985	47,500	3.42	8.7	29,800	2.64
4790980	25HCB6648A30	CAP**4821A**	59*P5A100E21**16	44,500	11.5	14.7	1360	1180	47,000	3.46	8.5	28,600	2.66
4213561	25HCB6648A30	CAP**4821A**	OVLAAB048112	44,500	11.0	14.7	1350	1170	48,000	3.44	8.8	30,400	2.64
3494432	25HCB6648A30	CAP**4821A**+TDR		45,500	11.6	13.5	1400	1120	48,500	3.44	8.5	30,000	2.66
3494317	25HCB6648A30	CAP**4823A**	58HDV080--20	46,000	11.7	15.0	1470	1160	48,500	3.50	9.0	30,200	2.70
3514079	25HCB6648A30	CAP**4823A**	58PH*090-16	46,000	12.0	15.0	1395	1085	48,000	3.52	8.8	29,600	2.72

See notes on pg. 35



COMBINATION RATINGS CONTINUED

AHRI Ref. No.	Model Number	Coil Model Number	Furnace Model Number	Cooling Capacity	Cooling				AHRI Standard Ratings				
					EER	SEER	ID CFM		High Temp		HSPF	Low Temp	
							High	Low	E Capacity	H Capacity		H COP	H COP
3514080	25HCB648A30	CAP**4823A**	58PH*110-20	46,000	12.3	15.5	1350	1110	47,500	8.9	29,200	2.74	
4791019	25HCB648A30	CAP**4823A**	59*N*A100V21**20	44,500	11.7	14.9	1315	1140	47,000	8.8	29,400	2.66	
4790987	25HCB648A30	CAP**4823A**	59*P5A100E21**16	44,500	11.7	14.7	1360	1180	47,000	8.8	29,600	2.66	
4213567	25HCB648A30	CAP**4823A**	OVLAA8048112	44,500	11.2	14.7	1450	1170	48,000	8.8	30,400	2.64	
3494450	25HCB648A30	CAP**4824A**	58CV(A,X)110-20	46,000	12.1	15.0	1355	850	48,000	8.5	29,400	2.72	
3494451	25HCB648A30	CAP**4824A**	58CV(A,X)135-22	46,000	12.3	15.0	1355	845	47,500	8.5	29,200	2.76	
3494452	25HCB648A30	CAP**4824A**	58CV(A,X)155-22	46,000	12.4	15.5	1365	845	47,500	8.6	29,200	2.76	
3494471	25HCB648A30	CAP**4824A**	58ME(B,C)100-20	46,000	12.2	15.5	1410	1070	48,000	9.0	29,400	2.76	
3494472	25HCB648A30	CAP**4824A**	58ME(B,C)120-20	46,500	12.3	15.5	1425	1070	48,000	9.1	29,400	2.78	
3494447	25HCB648A30	CAP**4824A**	58MV(B,C)080-20	45,500	11.9	15.0	1310	840	48,000	8.5	29,200	2.68	
3494448	25HCB648A30	CAP**4824A**	58MV(B,C)100-20	46,000	11.9	15.0	1395	1040	48,000	8.8	29,600	2.70	
3494449	25HCB648A30	CAP**4824A**	58MV(B,C)120-20	46,000	12.0	15.0	1360	845	48,000	8.5	29,400	2.72	
3757750	25HCB648A30	CAP**4824A**	58UVB080-20	45,500	11.9	15.0	1310	840	48,000	8.5	29,200	2.68	
3757751	25HCB648A30	CAP**4824A**	58UVB100-20	46,000	11.9	15.0	1395	1040	48,000	8.8	29,600	2.70	
3757752	25HCB648A30	CAP**4824A**	58UVB120-20	46,000	12.0	15.0	1360	845	48,000	8.5	29,400	2.72	
3514059	25HCB648A30	CAP**4824A**	58VLR120-20	46,000	12.2	15.0	1350	1170	48,000	9.0	29,200	2.72	
3514063	25HCB648A30	CAP**4824A**	58VLR120-20	45,500	12.0	15.0	1355	1155	48,000	8.9	29,400	2.70	
4791014	25HCB648A30	CAP**4824A**	59*N*A100V21**20	44,500	11.9	15.0	1315	1140	47,000	8.9	29,200	2.68	
4791015	25HCB648A30	CAP**4824A**	59*N*A120V24**22	44,500	12.1	15.2	1290	1130	46,500	9.0	29,000	2.70	
4790981	25HCB648A30	CAP**4824A**	59*P5A100E21**16	44,500	11.7	14.7	1380	1195	47,000	8.8	29,600	2.68	
4790982	25HCB648A30	CAP**4824A**	59*P5A120E24**22	45,000	12.0	15.0	1410	1285	47,000	9.0	29,600	2.72	
4213562	25HCB648A30	CAP**4824A**	OVLAA8060154	45,000	11.2	14.7	1450	1170	47,500	8.8	30,200	2.66	
3494433	25HCB648A30	CAP**4824A** + TDR	58ME(B,C)100-20	45,500	11.6	13.5	1400	1120	48,500	8.5	30,000	2.66	
3494456	25HCB648A30	CAP**6021A**	58CV(A,X)090-16	46,500	12.2	15.0	1345	835	48,000	8.6	29,600	2.76	
3494457	25HCB648A30	CAP**6021A**	58CV(A,X)110-20	47,000	12.3	15.5	1355	850	48,000	8.7	29,600	2.78	
3494458	25HCB648A30	CAP**6021A**	58CV(A,X)135-22	47,000	12.5	15.5	1355	845	48,000	8.7	29,400	2.80	
3494473	25HCB648A30	CAP**6021A**	58ME(B,C)080-16	47,000	12.1	15.0	1445	1115	48,500	9.1	30,200	2.82	
3494474	25HCB648A30	CAP**6021A**	58ME(B,C)100-20	47,000	12.4	15.5	1405	1065	48,000	9.2	30,000	2.76	
3494453	25HCB648A30	CAP**6021A**	58MV(B,C)080-20	46,500	12.1	15.0	1310	840	48,000	8.6	29,600	2.72	
3494454	25HCB648A30	CAP**6021A**	58MV(B,C)100-20	47,000	12.0	15.5	1395	1040	48,500	9.0	30,000	2.74	
3757753	25HCB648A30	CAP**6021A**	58UVB080-20	46,500	12.1	15.0	1310	840	48,000	8.6	29,600	2.72	
3757754	25HCB648A30	CAP**6021A**	58UVB100-20	47,000	12.0	15.5	1395	1040	48,500	9.0	30,000	2.74	
3514060	25HCB648A30	CAP**6021A**	58VLR120-20	47,000	12.4	15.5	1350	1170	48,000	9.1	29,400	2.76	
3514064	25HCB648A30	CAP**6021A**	58VLR120-20	46,500	12.2	15.0	1355	1155	48,000	9.0	29,600	2.74	
4791016	25HCB648A30	CAP**6021A**	59*N*A100V21**20	45,500	12.0	15.2	1315	1140	47,000	9.1	29,600	2.72	
4790983	25HCB648A30	CAP**6021A**	59*P5A080E17**16	45,500	11.7	15.0	1375	1085	47,500	8.8	30,200	2.70	
4790984	25HCB648A30	CAP**6021A**	59*P5A100E21**16	45,500	11.7	15.0	1375	1190	47,500	9.0	30,000	2.72	
4213564	25HCB648A30	CAP**6021A**	OVLAA8048112	46,000	11.5	15.0	1450	1170	48,000	9.0	30,800	2.72	
3494434	25HCB648A30	CAP**6021A** + TDR	58MV(B,C)080-20	46,500	11.8	14.0	1450	1120	48,500	8.7	30,200	2.70	
3494463	25HCB648A30	CAP**6024A**	58CV(A,X)110-20	47,000	12.3	15.5	1355	850	48,000	8.7	29,600	2.78	
3494464	25HCB648A30	CAP**6024A**	58CV(A,X)135-22	47,000	12.5	15.5	1355	845	48,000	8.7	29,400	2.80	
3494465	25HCB648A30	CAP**6024A**	58CV(A,X)155-22	47,000	12.6	15.5	1365	845	48,000	8.7	29,400	2.82	
3494476	25HCB648A30	CAP**6024A**	58ME(B,C)100-20	47,000	12.5	16.0	1410	1070	48,000	9.1	29,800	2.80	
3494477	25HCB648A30	CAP**6024A**	58ME(B,C)120-20	47,500	12.5	16.0	1425	1260	48,000	9.3	29,800	2.82	
3494460	25HCB648A30	CAP**6024A**	58MV(B,C)080-20	46,500	12.1	15.0	1310	840	48,000	8.6	29,600	2.72	
3494461	25HCB648A30	CAP**6024A**	58MV(B,C)100-20	47,000	12.1	15.5	1395	1040	48,500	9.0	30,000	2.74	
3494462	25HCB648A30	CAP**6024A**	58MV(B,C)120-20	47,000	12.3	15.5	1360	845	48,000	8.7	29,800	2.76	
3757755	25HCB648A30	CAP**6024A**	58UVB080-20	46,500	12.1	15.0	1310	840	48,000	8.6	29,600	2.72	
3757756	25HCB648A30	CAP**6024A**	58UVB100-20	47,000	12.1	15.5	1395	1040	48,500	9.0	30,000	2.74	
3757757	25HCB648A30	CAP**6024A**	58UVB120-20	47,000	12.3	15.5	1360	845	48,000	8.7	29,800	2.76	
3514065	25HCB648A30	CAP**6024A**	58VLR120-20	47,000	12.4	15.5	1350	1170	48,000	9.0	29,400	2.78	
3514066	25HCB648A30	CAP**6024A**	58VLR120-20	46,500	12.2	15.0	1355	1155	48,000	9.0	29,600	2.76	

See notes on pg. 35

COMBINATION RATINGS CONTINUED

AHRI Ref. No.	Model Number	Coil Model Number	Furnace Model Number	Cooling Capacity	Cooling				AHRI Standard Ratings				
					EER	SEER	ID CFM		High Temp		HSPF	Low Temp	
							High	Low	E Capacity	H Capacity		H COP	H COP
4791017	25HCB648A30	CAP**6024A**	59*N*A100V21**20	45,500	12.1	15.2	1315	1140	47,000	9.1	29,600	2.72	
4791018	25HCB648A30	CAP**6024A**	59*N*A120V24**22	45,500	12.3	15.5	1290	1130	46,500	9.0	29,200	2.74	
4790985	25HCB648A30	CAP**6024A**	59*P5A100E21**16	45,500	11.7	15.0	1380	1195	47,500	9.0	30,000	2.72	
4790986	25HCB648A30	CAP**6024A**	59*P5A120E24**22	46,000	12.2	15.0	1415	1290	47,500	9.0	30,000	2.80	
4213565	25HCB648A30	CAP**6024A**	OVLAA060154	47,000	11.5	15.0	1670	1330	48,500	9.0	31,000	2.80	
3494435	25HCB648A30	CAP**6024A** + TDR		46,500	11.8	14.0	1400	1120	48,500	8.7	30,200	2.70	
3494353	25HCB648A30	CAP**6025A**	58HDV100--20	45,500	12.2	15.5	1430	1120	48,500	9.1	30,400	2.80	
4791020	25HCB648A30	CAP**6025A**	59*N*A100V21**20	45,500	12.0	15.2	1315	1140	47,000	9.0	29,600	2.72	
4791021	25HCB648A30	CAP**6025A**	59*N*A120V24**22	45,500	12.2	15.5	1290	1130	46,500	9.0	29,200	2.74	
4790988	25HCB648A30	CAP**6025A**	59*P5A100E21**16	45,500	11.7	15.0	1380	1195	47,500	9.0	30,000	2.72	
4790989	25HCB648A30	CAP**6025A**	59*P5A120E24**22	46,000	12.0	15.0	1415	1290	47,500	9.0	30,000	2.80	
4213568	25HCB648A30	CAP**6025A**	OVLAA060154	46,000	11.5	15.0	1450	1170	48,000	9.0	30,800	2.74	
4213569	25HCB648A30	CAP**6025A**	OVLAA060154	47,000	11.7	15.5	1670	1330	48,500	9.0	31,000	2.80	
3494426	25HCB648A30	CNP**4821A**	58CV(A,X)090--16	46,000	12.1	15.0	1345	835	48,000	8.5	29,400	2.72	
3494427	25HCB648A30	CNP**4821A**	58CV(A,X)110--20	46,000	12.2	15.0	1355	850	48,000	8.5	29,400	2.74	
3494428	25HCB648A30	CNP**4821A**	58CV(A,X)135--22	46,000	12.3	15.5	1355	845	47,500	8.5	29,200	2.76	
3494429	25HCB648A30	CNP**4821A**	58CV(A,X)155--22	46,500	12.4	15.5	1365	845	47,500	8.6	29,200	2.78	
3879160	25HCB648A30	CNP**4821A**	58HDV080--20	46,500	11.8	15.5	1495	1180	48,500	9.0	30,400	2.74	
3879161	25HCB648A30	CNP**4821A**	58HDV100--20	46,000	12.0	15.5	1430	1125	48,500	8.9	29,800	2.72	
3494395	25HCB648A30	CNP**4821A**	58ME(B,C)080--16	46,500	11.9	15.5	1450	1020	48,000	9.0	30,000	2.72	
3494396	25HCB648A30	CNP**4821A**	58ME(B,C)100--20	46,500	12.3	15.0	1410	1405	48,000	9.0	29,400	2.76	
3494397	25HCB648A30	CNP**4821A**	58ME(B,C)120--20	46,500	12.4	15.5	1425	1260	48,000	9.1	29,400	2.78	
3494423	25HCB648A30	CNP**4821A**	58MV(B,C)080--20	45,500	12.0	15.0	1310	840	48,000	8.5	29,400	2.70	
3494424	25HCB648A30	CNP**4821A**	58MV(B,C)100--20	46,000	11.9	15.0	1395	1040	48,000	9.0	29,800	2.70	
3494425	25HCB648A30	CNP**4821A**	58MV(B,C)120--20	46,000	12.1	15.0	1360	845	48,000	8.6	29,400	2.72	
3494391	25HCB648A30	CNP**4821A**	58PH*070--16	46,000	11.3	14.5	1455	1090	49,000	8.8	30,600	2.64	
3494392	25HCB648A30	CNP**4821A**	58PH*090--16	46,500	12.1	15.0	1420	1105	48,000	9.0	29,600	2.74	
3494393	25HCB648A30	CNP**4821A**	58PH*110--20	46,500	12.4	15.0	1380	1375	48,000	9.0	29,200	2.76	
3494394	25HCB648A30	CNP**4821A**	58PH*135--20	46,500	12.2	15.0	1400	1235	48,000	9.0	29,400	2.74	
3514074	25HCB648A30	CNP**4821A**	58VMR120--20	46,000	12.1	15.0	1355	1155	48,000	8.8	29,400	2.72	
4791029	25HCB648A30	CNP**4821A**	59*N*A100V21**20	44,500	11.9	15.0	1315	1140	47,000	8.9	29,400	2.68	
4791030	25HCB648A30	CNP**4821A**	59*N*A120V24**22	44,500	12.1	15.3	1290	1130	46,500	9.0	29,000	2.70	
4790988	25HCB648A30	CNP**4821A**	59*P5A080E17**16	44,500	11.6	15.0	1380	1065	47,500	8.8	29,800	2.66	
4790989	25HCB648A30	CNP**4821A**	59*P5A100E21**16	45,000	11.5	14.5	1385	1195	47,000	8.8	29,600	2.68	
4791000	25HCB648A30	CNP**4821A**	59*P5A120E24**22	45,500	11.7	15.0	1415	1290	47,000	9.0	29,600	2.74	
4213577	25HCB648A30	CNP**4821A**	OVLAA060154	45,000	11.2	14.7	1450	1170	47,500	8.8	30,200	2.68	
4213578	25HCB648A30	CNP**4821A**	OVLAA060154	46,000	11.5	15.2	1670	1330	48,000	9.0	30,800	2.76	
3494367	25HCB648A30	CNP**4821A** + TDR		46,000	11.6	14.5	1400	1120	48,500	8.8	30,000	2.66	
3494513	25HCB648A30	CNP**6024A**	58CV(A,X)090--16	46,500	12.3	15.5	1345	835	48,000	8.7	29,600	2.76	
3494514	25HCB648A30	CNP**6024A**	58CV(A,X)110--20	47,000	12.4	15.5	1355	850	48,000	8.7	29,600	2.78	
3494515	25HCB648A30	CNP**6024A**	58CV(A,X)135--22	47,000	12.5	15.5	1355	845	48,000	8.7	29,400	2.80	
3494516	25HCB648A30	CNP**6024A**	58CV(A,X)155--22	47,000	12.7	16.0	1365	845	47,500	8.8	29,600	2.84	
3879162	25HCB648A30	CNP**6024A**	58HDV080--20	47,000	12.0	15.5	1505	1195	49,000	9.2	30,600	2.78	
3879163	25HCB648A30	CNP**6024A**	58HDV100--20	47,000	12.2	15.5	1440	1135	48,500	9.1	30,400	2.80	
3494478	25HCB648A30	CNP**6024A**	58ME(B,C)080--16	47,000	12.1	15.5	1455	1130	48,500	9.1	30,200	2.78	
3494479	25HCB648A30	CNP**6024A**	58ME(B,C)100--20	47,000	12.5	16.0	1425	1085	47,000	9.2	30,000	2.84	
3494480	25HCB648A30	CNP**6024A**	58ME(B,C)120--20	47,500	12.6	16.0	1440	1275	48,000	9.3	29,800	2.84	
3494510	25HCB648A30	CNP**6024A**	58MV(B,C)080--20	46,500	12.2	15.0	1310	840	48,000	8.6	29,400	2.74	
3494511	25HCB648A30	CNP**6024A**	58MV(B,C)100--20	47,000	12.1	15.0	1395	1040	48,500	9.0	30,200	2.76	
3494512	25HCB648A30	CNP**6024A**	58MV(B,C)120--20	47,000	12.3	15.5	1360	845	48,000	8.7	29,600	2.78	
3494494	25HCB648A30	CNP**6024A**	58PH*070--16	46,500	11.5	15.0	1465	1100	49,000	9.0	31,000	2.70	
3494495	25HCB648A30	CNP**6024A**	58PH*090--16	47,000	12.3	15.5	1430	1115	48,500	9.1	30,000	2.80	

See notes on pg. 35



25HCB6

COMBINATION RATINGS CONTINUED

AHRI Ref. No.	Model Number	Coil Model Number	Furnace Model Number	Cooling Capacity	Cooling				AHRI Standard Ratings				
					EER	SEER	ID CFM		High Temp		HSPF	Low Temp	
							High	Low	E Capacity	H Capacity		H COP	H COP
3494496	25HCB648A30	CNPH*6024A**	58PH*110-20	47,000	12.6	15.5	1395	1390	48,000	3.62	9.2	29,600	2.82
3494497	25HCB648A30	CNPH*6024A**	58PH*135-20	47,000	12.4	15.5	1420	1255	48,000	3.60	9.2	30,000	2.82
3514075	25HCB648A30	CNPH*6024A**	58VMR120-20	46,500	12.3	15.5	1355	1155	48,000	3.54	9.0	29,600	2.76
4791031	25HCB648A30	CNPH*6024A**	59*N*A100V21**20	45,500	12.1	15.3	1315	1140	47,000	3.50	9.1	29,400	2.72
4791032	25HCB648A30	CNPH*6024A**	59*N*A120V24**22	45,500	12.3	15.5	1290	1130	46,000	3.54	9.0	29,200	2.74
4791001	25HCB648A30	CNPH*6024A**	59*P5A080E17**16	45,500	11.8	15.0	1390	1010	47,500	3.48	9.0	30,400	2.72
4791002	25HCB648A30	CNPH*6024A**	59*P5A100E21**16	45,500	12.0	15.0	1395	1205	47,500	3.52	9.0	30,000	2.74
4791003	25HCB648A30	CNPH*6024A**	59*P5A120E24**22	46,000	12.2	15.0	1425	1305	47,000	3.58	9.0	30,200	2.80
4213579	25HCB648A30	CNPH*6024A**	OVLAA8048112	46,000	11.5	15.0	1450	1170	48,000	3.48	9.0	30,000	2.72
4213580	25HCB648A30	CNPH*6024A**	OVLAA8060154	47,000	11.7	15.5	1670	1330	48,000	3.60	9.0	31,000	2.80
3494368	25HCB648A30	CNPH*6024A**	58PH*110-20	46,500	11.8	15.0	1400	1120	48,500	3.48	9.0	30,200	2.70
3494518	25HCB648A30	CNPH*6124A**	58CV(A,X)090-16	47,000	12.3	15.5	1345	1005	48,500	3.58	9.0	29,800	2.76
3514083	25HCB648A30	CNPH*6124A**	58CV(A,X)110-20	47,000	12.4	15.5	1355	1190	48,500	3.60	9.1	29,600	2.78
3514084	25HCB648A30	CNPH*6124A**	58CV(A,X)135-22	47,000	12.5	16.0	1355	1185	48,000	3.64	9.2	29,600	2.80
3514085	25HCB648A30	CNPH*6124A**	58CV(A,X)155-22	47,500	12.6	16.0	1365	1175	48,000	3.66	9.2	29,400	2.82
3879164	25HCB648A30	CNPH*6124A**	58HDV080-20	47,500	12.0	15.5	1485	1170	49,000	3.60	9.2	30,800	2.78
3879165	25HCB648A30	CNPH*6124A**	58HDV100-20	47,000	12.2	15.5	1420	1110	48,500	3.60	9.1	30,200	2.78
3494481	25HCB648A30	CNPH*6124A**	58ME(B,C)080-16	47,500	12.1	15.5	1445	1110	49,000	3.60	9.1	30,400	2.78
3494482	25HCB648A30	CNPH*6124A**	58ME(B,C)100-20	47,500	12.5	16.0	1400	1060	48,500	3.64	9.2	30,200	2.84
3494483	25HCB648A30	CNPH*6124A**	58ME(B,C)120-20	47,500	12.6	16.0	1420	1250	48,500	3.68	9.4	30,200	2.86
3494517	25HCB648A30	CNPH*6124A**	58MV(B,C)080-20	46,500	12.1	15.0	1310	840	48,000	3.54	8.6	29,600	2.74
3514082	25HCB648A30	CNPH*6124A**	58MV(B,C)100-20	47,000	12.1	15.0	1395	1145	48,500	3.56	9.0	30,200	2.76
3494430	25HCB648A30	CNPH*6124A**	58MV(B,C)120-20	47,000	12.3	15.5	1360	1120	48,500	3.60	9.0	29,800	2.78
3494498	25HCB648A30	CNPH*6124A**	58PH*070-16	47,000	11.5	15.0	1445	1080	49,500	3.48	9.0	31,000	2.70
3494499	25HCB648A30	CNPH*6124A**	58PH*090-16	47,500	12.3	15.5	1410	1095	48,500	3.62	9.1	30,000	2.80
3494500	25HCB648A30	CNPH*6124A**	58PH*110-20	47,000	12.6	15.5	1370	1070	48,000	3.64	9.2	29,600	2.82
3494501	25HCB648A30	CNPH*6124A**	58PH*135-20	47,000	12.4	15.5	1390	1220	48,500	3.62	9.2	29,800	2.80
3514076	25HCB648A30	CNPH*6124A**	58VMR120-20	47,000	12.2	15.5	1355	1155	48,500	3.58	9.1	29,800	2.76
4791033	25HCB648A30	CNPH*6124A**	59*N*A100V21**20	45,500	12.1	15.2	1315	1140	47,500	3.54	9.1	29,600	2.72
4791034	25HCB648A30	CNPH*6124A**	59*N*A120V24**22	45,500	12.3	15.5	1290	1130	47,000	3.56	9.0	29,400	2.76
4791004	25HCB648A30	CNPH*6124A**	59*P5A080E17**16	45,500	11.8	15.0	1375	1060	48,000	3.50	8.8	30,200	2.70
4791005	25HCB648A30	CNPH*6124A**	59*P5A100E21**16	46,000	12.0	15.0	1375	1185	47,500	3.54	9.0	30,000	2.74
4791006	25HCB648A30	CNPH*6124A**	59*P5A120E24**22	46,000	12.2	15.0	1400	1275	47,500	3.60	9.2	30,200	2.80
4213581	25HCB648A30	CNPH*6124A**	OVLAA8048112	46,000	11.5	15.0	1450	1170	48,000	3.52	9.0	30,800	2.74
4213582	25HCB648A30	CNPH*6124A**	OVLAA8060154	47,000	11.7	15.5	1670	1330	48,500	3.66	9.0	31,000	2.80
3494490	25HCB648A30	CNPH*6124A**	58CV(A,X)110-20	48,000	11.8	14.0	1680	1120	50,000	3.60	9.0	31,400	2.76
3494401	25HCB648A30	CNPH*4821A**	58CV(A,X)090-16	46,000	12.1	15.0	1345	835	48,000	3.52	8.6	29,400	2.72
3494402	25HCB648A30	CNPH*4821A**	58CV(A,X)110-20	46,000	12.2	15.0	1355	850	48,000	3.54	8.6	29,400	2.74
3494373	25HCB648A30	CNPH*4821A**	58ME(B,C)080-16	46,500	11.9	15.0	1450	1020	48,500	3.52	8.8	30,000	2.72
3494374	25HCB648A30	CNPH*4821A**	58ME(B,C)100-20	46,500	12.3	15.0	1410	1405	48,000	3.58	9.0	29,400	2.76
3494398	25HCB648A30	CNPH*4821A**	58MV(B,C)080-20	45,500	12.0	15.0	1310	840	48,000	3.48	8.6	29,400	2.70
3494399	25HCB648A30	CNPH*4821A**	58MV(B,C)100-20	46,000	11.9	15.0	1395	1040	48,000	3.50	8.6	29,800	2.70
3494369	25HCB648A30	CNPH*4821A**	58PH*070-16	46,000	11.3	14.5	1455	1090	49,000	3.40	8.8	30,600	2.64
3494370	25HCB648A30	CNPH*4821A**	58PH*090-16	46,500	12.1	15.5	1420	1105	48,000	3.54	9.0	29,600	2.74
3494371	25HCB648A30	CNPH*4821A**	58PH*110-20	46,500	12.4	15.0	1380	1375	48,000	3.58	9.0	29,200	2.76
3759018	25HCB648A30	CNPH*4821A**	58UVB080-20	45,500	12.0	15.0	1310	840	48,000	3.48	8.6	29,400	2.70
3759019	25HCB648A30	CNPH*4821A**	58UVB100-20	45,500	11.9	15.0	1395	1040	48,000	3.50	8.6	29,800	2.70
3514086	25HCB648A30	CNPH*4821A**	58VMR120-20	46,000	12.2	15.0	1350	1170	47,500	3.54	9.0	29,200	2.74
3514089	25HCB648A30	CNPH*4821A**	58VMR120-20	46,000	12.1	15.0	1355	1155	48,000	3.50	8.9	29,400	2.72
4791022	25HCB648A30	CNPH*4821A**	59*N*A100V21**20	44,500	11.9	15.0	1315	1140	47,000	3.46	8.9	29,400	2.68
4790990	25HCB648A30	CNPH*4821A**	59*P5A080E17**16	44,500	11.6	15.0	1380	1000	47,500	3.44	8.8	29,800	2.66
4790991	25HCB648A30	CNPH*4821A**	59*P5A100E21**16	45,000	11.5	14.5	1385	1195	47,000	3.48	8.8	29,800	2.68
4213570	25HCB648A30	CNPH*4821A**	OVLAA8048112	45,000	11.2	14.7	1450	1170	47,500	3.46	8.8	30,200	2.68

See notes on pg. 35

COMBINATION RATINGS CONTINUED

AHRI Ref. No.	Model Number	Coil Model Number	Furnace Model Number	Cooling Capacity	Cooling				AHRI Standard Ratings				
					SEER	ID CFM		High Temp		HSPF	Low Temp		
						High	Low	E Capacity	H Capacity		E COP	H COP	
3494363	25HCB648A30	CNPV*4821A**+TDR	58CV(A)X110-20	46,000	11.6	14.5	1400	1120	48,500	3.44	8.8	30,000	2.66
3494408	25HCB648A30	CNPV*4824A**	58CV(A)X135-22	46,000	12.2	15.0	1355	850	48,000	3.54	8.5	29,400	2.74
3494409	25HCB648A30	CNPV*4824A**	58CV(A)X135-22	46,000	12.3	15.5	1355	845	47,500	3.56	8.6	29,200	2.76
3494410	25HCB648A30	CNPV*4824A**	58CV(A)X155-22	46,500	12.4	15.5	1365	845	47,500	3.58	8.6	29,200	2.78
4149653	25HCB648A30	CNPV*4824A**	58HDV080-20	46,500	11.8	15.5	1495	1180	48,500	3.52	9.0	30,400	2.74
3879154	25HCB648A30	CNPV*4824A**	58HDV080-20 (DWNFLW ONLY)	46,500	11.8	15.5	1495	1180	48,500	3.52	9.0	30,400	2.74
4149654	25HCB648A30	CNPV*4824A**	58HDV100-20	46,000	12.0	15.5	1430	1125	48,500	3.52	8.9	29,800	2.72
3879155	25HCB648A30	CNPV*4824A**	58HDV100-20 (DWNFLW ONLY)	46,000	12.0	15.5	1430	1125	48,500	3.52	8.9	29,800	2.72
3494379	25HCB648A30	CNPV*4824A**	58ME(B)C100-20	46,500	12.3	15.0	1410	1405	48,000	3.58	9.0	29,400	2.76
3494380	25HCB648A30	CNPV*4824A**	58ME(B)C120-20	46,500	12.4	15.5	1425	1260	48,000	3.60	9.1	29,400	2.78
3494405	25HCB648A30	CNPV*4824A**	58MV(B)C080-20	45,500	12.0	15.0	1310	840	48,000	3.48	8.5	29,400	2.70
3494406	25HCB648A30	CNPV*4824A**	58MV(B)C100-20	46,000	11.9	15.0	1395	1040	48,000	3.50	9.0	29,800	2.70
3494407	25HCB648A30	CNPV*4824A**	58MV(B)C120-20	46,000	12.1	15.0	1360	845	48,000	3.52	8.5	29,400	2.72
3494376	25HCB648A30	CNPV*4824A**	58PH*090-16	46,500	12.1	15.5	1420	1105	48,000	3.54	9.0	29,600	2.74
3494377	25HCB648A30	CNPV*4824A**	58PH*110-20	46,500	12.4	15.0	1380	1375	48,000	3.58	9.0	29,200	2.76
3494378	25HCB648A30	CNPV*4824A**	58PH*135-20	46,500	12.2	15.0	1400	1235	48,000	3.56	9.0	29,400	2.74
3759020	25HCB648A30	CNPV*4824A**	58UVB080-20	45,500	12.0	15.0	1310	840	48,000	3.48	8.5	29,400	2.70
3759021	25HCB648A30	CNPV*4824A**	58UVB100-20	46,000	11.9	15.0	1395	1040	48,000	3.50	9.0	29,800	2.70
3759022	25HCB648A30	CNPV*4824A**	58UVB120-20	46,000	12.1	15.0	1360	845	48,000	3.52	8.5	29,400	2.72
3514087	25HCB648A30	CNPV*4824A**	58VLR120-20	46,000	12.2	15.0	1350	1170	47,500	3.54	9.0	29,200	2.74
3514071	25HCB648A30	CNPV*4824A**	58VMR120-20	46,000	12.1	15.0	1355	1155	48,000	3.50	8.8	29,400	2.72
4791023	25HCB648A30	CNPV*4824A**	59*N*A100V21**20	44,500	11.9	15.0	1315	1140	47,000	3.46	8.9	29,400	2.68
4791024	25HCB648A30	CNPV*4824A**	59*N*A120V24**22	44,500	12.1	15.3	1290	1130	46,500	3.50	9.0	29,000	2.70
4790992	25HCB648A30	CNPV*4824A**	59*P5A100E21**16	45,000	11.5	14.5	1385	1195	47,000	3.48	8.8	29,800	2.68
4790993	25HCB648A30	CNPV*4824A**	59*P5A120E24**22	45,000	12.0	15.1	1415	1290	47,000	3.54	9.0	29,600	2.74
4213571	25HCB648A30	CNPV*4824A**	OVLAAB048112	45,000	11.2	14.7	1450	1170	47,500	3.46	8.8	30,200	2.66
4213572	25HCB648A30	CNPV*4824A**	OVLAAB060154	46,000	11.5	15.2	1670	1330	48,000	3.58	9.0	30,800	2.78
3494364	25HCB648A30	CNPV*4824A**+TDR		46,000	11.6	15.0	1400	1120	48,500	3.44	8.8	30,000	2.66
3494414	25HCB648A30	CNPV*6024A**	58CV(A)X110-20	47,000	12.4	15.5	1355	850	48,000	3.56	8.7	29,600	2.78
3494415	25HCB648A30	CNPV*6024A**	58CV(A)X135-22	47,000	12.5	15.5	1365	845	48,000	3.60	8.7	29,400	2.80
3494416	25HCB648A30	CNPV*6024A**	58CV(A)X155-22	47,000	12.7	16.0	1365	845	47,500	3.62	8.7	29,400	2.82
4149655	25HCB648A30	CNPV*6024A**	58HDV080-20	47,000	12.0	15.5	1505	1195	49,000	3.56	9.2	30,600	2.78
3879156	25HCB648A30	CNPV*6024A**	58HDV080-20 (DWNFLW ONLY)	47,000	12.0	15.5	1505	1195	49,000	3.56	9.2	30,600	2.78
4149656	25HCB648A30	CNPV*6024A**	58HDV100-20	47,000	12.2	15.5	1440	1135	48,500	3.56	9.1	30,400	2.80
3879157	25HCB648A30	CNPV*6024A**	58HDV100-20 (DWNFLW ONLY)	47,000	12.2	15.5	1440	1135	48,500	3.56	9.1	30,400	2.80
3494384	25HCB648A30	CNPV*6024A**	58ME(B)C100-20	47,000	12.5	15.5	1425	1420	48,000	3.60	9.2	29,800	2.80
3494385	25HCB648A30	CNPV*6024A**	58ME(B)C120-20	47,500	12.6	16.0	1440	1275	48,000	3.64	9.2	29,800	2.84
3494411	25HCB648A30	CNPV*6024A**	58MV(B)C080-20	46,500	12.2	15.0	1310	840	48,000	3.52	8.6	29,400	2.74
3494412	25HCB648A30	CNPV*6024A**	58MV(B)C100-20	47,000	12.1	15.5	1395	1040	48,500	3.54	8.6	30,200	2.76
3494413	25HCB648A30	CNPV*6024A**	58MV(B)C120-20	47,000	12.3	15.5	1360	845	48,000	3.56	8.7	29,600	2.78
3494381	25HCB648A30	CNPV*6024A**	58PH*090-16	47,000	12.3	15.5	1430	1115	48,500	3.58	9.1	30,000	2.80
3494382	25HCB648A30	CNPV*6024A**	58PH*110-20	47,000	12.6	15.5	1395	1390	48,000	3.62	9.2	29,600	2.82
3494383	25HCB648A30	CNPV*6024A**	58PH*135-20	47,000	12.4	15.5	1420	1255	48,000	3.60	9.2	30,000	2.82
3759023	25HCB648A30	CNPV*6024A**	58UVB080-20	46,500	12.2	15.0	1310	840	48,000	3.52	8.6	29,400	2.74
3759024	25HCB648A30	CNPV*6024A**	58UVB100-20	47,000	12.1	15.5	1395	1040	48,500	3.54	8.6	30,200	2.76
3759025	25HCB648A30	CNPV*6024A**	58UVB120-20	47,000	12.3	15.5	1360	845	48,000	3.56	8.7	29,600	2.78
3514088	25HCB648A30	CNPV*6024A**	58VLR120-20	47,000	12.4	15.5	1350	1170	48,000	3.58	9.0	29,400	2.78
3514072	25HCB648A30	CNPV*6024A**	58VMR120-20	46,500	12.3	15.5	1355	1155	48,000	3.54	9.0	29,600	2.76
4791025	25HCB648A30	CNPV*6024A**	59*N*A100V21**20	45,500	12.1	15.3	1315	1140	47,000	3.50	9.1	29,400	2.72
4791026	25HCB648A30	CNPV*6024A**	59*N*A120V24**22	45,500	12.3	15.6	1290	1130	46,500	3.54	9.0	29,200	2.74

See notes on pg. 35

COMBINATION RATINGS CONTINUED

AHRI Ref. No.	Model Number	Coil Model Number	Furnace Model Number	Cooling Capacity	Cooling				AHRI Standard Ratings				
					SEER	ID CFM		High Temp		HSPF	Low Temp		
						High	Low	E Capacity	H Capacity		E COP	H COP	
4790984	25HCB648A30	CNPV*6024A**	59*P5A100E21**16	45,500	12.0	15.0	1395	1205	47,500	3.52	9.0	30,000	2.72
4790995	25HCB648A30	CNPV*6024A**	59*P5A120E24**22	46,000	12.2	15.4	1425	1305	47,500	3.58	9.2	30,200	2.80
4213573	25HCB648A30	CNPV*6024A**	OVLAAB048112	46,000	11.5	15.0	1450	1170	48,000	3.48	9.0	30,600	2.72
4213574	25HCB648A30	CNPV*6024A**	OVLAAB060154	47,000	11.7	15.5	1670	1330	48,000	3.60	9.0	31,000	2.80
3494365	25HCB648A30	CNPV*6024A**+TDR		46,500	11.8	15.0	1400	1120	48,500	3.48	9.0	30,200	2.70
3494420	25HCB648A30	CNPV*6124A**	58CV(A,X)110--20	47,500	12.6	16.0	1355	850	48,000	3.66	9.0	30,000	2.84
3494421	25HCB648A30	CNPV*6124A**	58CV(A,X)135--22	47,500	12.7	16.0	1355	845	48,000	3.68	9.0	30,000	2.88
3494422	25HCB648A30	CNPV*6124A**	58CV(A,X)155--22	47,500	12.8	16.0	1365	845	48,000	3.72	9.0	29,800	2.88
4149657	25HCB648A30	CNPV*6124A**	58HDV080--20	48,000	12.2	16.0	1510	1205	49,000	3.64	9.3	30,800	2.82
3879158	25HCB648A30	CNPV*6124A**	58HDV080--20 (DWINFLW ONLY)	48,000	12.2	16.0	1510	1205	49,000	3.64	9.3	30,800	2.82
4149658	25HCB648A30	CNPV*6124A**	58HDV100--20	47,500	12.3	16.0	1445	1145	49,000	3.64	9.3	30,400	2.82
3879159	25HCB648A30	CNPV*6124A**	58HDV100--20 (DWINFLW ONLY)	47,500	12.3	16.0	1445	1145	49,000	3.64	9.3	30,400	2.82
3494389	25HCB648A30	CNPV*6124A**	58ME(B,C)100--20	48,000	12.6	15.5	1430	1425	48,500	3.70	9.5	30,200	2.86
3494390	25HCB648A30	CNPV*6124A**	58ME(B,C)120--20	48,000	12.7	16.0	1445	1285	48,500	3.72	9.5	30,200	2.88
3494417	25HCB648A30	CNPV*6124A**	58MV(B,C)080--20	47,000	12.3	15.5	1310	840	48,000	3.60	8.8	30,000	2.80
3494418	25HCB648A30	CNPV*6124A**	58MV(B,C)100--20	47,500	12.3	15.5	1395	1040	48,500	3.62	9.2	30,400	2.80
3494419	25HCB648A30	CNPV*6124A**	58MV(B,C)120--20	47,500	12.5	16.0	1360	845	48,500	3.64	8.8	30,200	2.84
3494386	25HCB648A30	CNPV*6124A**	58PH*090--16	48,000	12.5	16.0	1435	1125	48,500	3.70	9.3	30,400	2.84
3494387	25HCB648A30	CNPV*6124A**	58PH*110--20	48,000	12.7	15.5	1400	1405	48,500	3.70	9.5	30,000	2.88
3494388	25HCB648A30	CNPV*6124A**	58PH*135--20	48,000	12.6	16.0	1425	1265	48,500	3.68	9.5	30,200	2.86
3759026	25HCB648A30	CNPV*6124A**	58UVB080--20	47,000	12.3	15.5	1310	840	48,000	3.60	8.8	30,000	2.80
3759027	25HCB648A30	CNPV*6124A**	58UVB100--20	47,500	12.3	15.5	1395	1040	48,500	3.62	9.2	30,400	2.80
3759028	25HCB648A30	CNPV*6124A**	58UVB120--20	47,500	12.5	16.0	1360	845	48,500	3.64	8.8	30,200	2.84
3514089	25HCB648A30	CNPV*6124A**	58VLR120--20	47,500	12.6	16.0	1350	1170	48,000	3.66	9.5	30,000	2.84
3514073	25HCB648A30	CNPV*6124A**	58VMR120--20	47,500	12.4	15.5	1355	1155	48,500	3.62	9.2	30,200	2.82
4791027	25HCB648A30	CNPV*6124A**	59*N*A100V21**20	46,000	12.3	15.5	1315	1140	47,500	3.58	9.2	29,800	2.76
4791028	25HCB648A30	CNPV*6124A**	59*N*A120V24**22	46,000	12.5	15.9	1290	1130	47,000	3.62	9.3	29,400	2.80
4790996	25HCB648A30	CNPV*6124A**	59*P5A100E21**16	46,500	12.0	15.0	1400	1215	47,500	3.60	9.0	30,600	2.78
4790997	25HCB648A30	CNPV*6124A**	59*P5A120E24**22	47,000	12.4	15.6	1435	1315	47,500	3.66	9.2	30,400	2.84
4213575	25HCB648A30	CNPV*6124A**	OVLAAB048112	46,500	11.7	15.2	1450	1170	48,000	3.58	9.0	30,800	2.76
4213576	25HCB648A30	CNPV*6124A**	OVLAAB060154	47,500	12.0	15.7	1670	1330	48,500	3.70	9.0	31,000	2.84
3494366	25HCB648A30	CNPV*6124A**+TDR		47,000	11.9	15.5	1400	1120	49,000	3.56	9.2	30,600	2.72
3494522	25HCB648A30	CSPH*4812A**	58CV(A,X)090--16	46,500	12.1	15.5	1345	1005	48,000	3.54	8.8	29,600	2.72
3494523	25HCB648A30	CSPH*4812A**	58CV(A,X)110--20	46,500	12.1	15.5	1355	1020	48,000	3.54	8.8	29,600	2.74
3494524	25HCB648A30	CSPH*4812A**	58CV(A,X)135--22	46,500	12.3	15.5	1355	1010	48,000	3.58	8.8	29,400	2.76
3494525	25HCB648A30	CSPH*4812A**	58CV(A,X)155--22	46,500	12.4	15.5	1365	1015	48,000	3.60	9.0	29,400	2.78
3494484	25HCB648A30	CSPH*4812A**	58ME(B,C)080--16	46,500	12.0	15.0	1425	1100	48,500	3.54	9.0	30,200	2.74
3494485	25HCB648A30	CSPH*4812A**	58ME(B,C)100--20	46,500	12.3	15.5	1380	1045	48,000	3.58	9.0	29,600	2.76
3494486	25HCB648A30	CSPH*4812A**	58ME(B,C)120--20	46,500	12.4	15.5	1395	1235	48,000	3.62	9.2	29,600	2.78
3494519	25HCB648A30	CSPH*4812A**	58MV(B,C)080--20	46,000	12.0	15.0	1310	1010	48,000	3.50	8.8	29,600	2.70
3494520	25HCB648A30	CSPH*4812A**	58MV(B,C)100--20	46,500	11.9	15.0	1395	1040	48,500	3.52	8.8	30,000	2.72
3494521	25HCB648A30	CSPH*4812A**	58MV(B,C)120--20	46,500	12.1	15.5	1360	1010	48,000	3.54	8.8	29,600	2.74
3494502	25HCB648A30	CSPH*4812A**	58PH*070--16	46,000	11.3	14.5	1425	1070	49,000	3.42	8.8	30,800	2.66
3494503	25HCB648A30	CSPH*4812A**	58PH*090--16	46,500	12.2	15.5	1390	1080	48,000	3.56	9.0	29,600	2.74
3494504	25HCB648A30	CSPH*4812A**	58PH*110--20	46,500	12.4	15.0	1340	1345	48,000	3.58	9.1	29,200	2.76
3494505	25HCB648A30	CSPH*4812A**	58PH*135--20	46,500	12.2	15.0	1360	1200	48,000	3.56	9.0	29,400	2.72
3514077	25HCB648A30	CSPH*4812A**	58VMR120--20	46,500	12.0	15.0	1355	1155	48,000	3.52	9.0	29,600	2.74
4791035	25HCB648A30	CSPH*4812A**	59*N*A100V21**20	45,000	11.9	15.0	1315	1140	47,000	3.48	9.0	29,600	2.68
4791036	25HCB648A30	CSPH*4812A**	59*N*A120V24**22	45,000	12.1	15.3	1290	1130	47,000	3.52	9.0	29,200	2.72
4791007	25HCB648A30	CSPH*4812A**	59*P5A080E17**16	45,000	11.6	15.0	1360	1075	47,500	3.46	8.8	30,000	2.66
4791008	25HCB648A30	CSPH*4812A**	59*P5A100E21**16	45,000	11.5	14.7	1355	1175	47,500	3.50	8.8	29,800	2.68
4791009	25HCB648A30	CSPH*4812A**	59*P5A120E24**22	45,500	12.0	15.0	1375	1255	47,000	3.54	9.0	29,600	2.74

COMBINATION RATINGS CONTINUED

AHRI Ref. No.	Model Number	Coil Model Number	Furnace Model Number	Cooling Capacity	Cooling				AHRI Standard Ratings				
					SEER	ID CFM		High Temp		HSPF	Low Temp		
						EER	High	Low	E Capacity		H Capacity	H COP	H COP
4213583	25HCB648A30	CSPH*4812A**	OVLAA0848112	45,500	11.2	14.7	1450	1170	48,000	3.46	8.8	30,800	2.70
4213584	25HCB648A30	CSPH*4812A**	OVLAA0806154	46,500	11.5	15.2	1670	1330	48,500	3.58	9.0	31,000	2.76
3494481	25HCB648A30	CSPH*4812A**+TDR		47,000	11.7	14.0	1600	1120	49,500	3.54	8.7	31,000	2.74
3494529	25HCB648A30	CSPH*6012A**	58CV(A,X)090-16	47,000	12.4	15.5	1345	1005	48,000	3.58	9.0	29,600	2.78
3494530	25HCB648A30	CSPH*6012A**	58CV(A,X)110-20	47,000	12.5	15.5	1355	1020	48,000	3.60	9.0	29,600	2.80
3494531	25HCB648A30	CSPH*6012A**	58CV(A,X)135-22	47,000	12.6	16.0	1355	1010	48,000	3.64	9.1	30,000	2.84
3494532	25HCB648A30	CSPH*6012A**	58CV(A,X)155-22	47,500	12.7	16.0	1365	1015	48,000	3.66	9.0	29,600	2.84
3494487	25HCB648A30	CSPH*6012A**	58ME(B,C)080-16	47,500	12.2	15.5	1460	1125	48,500	3.60	9.2	30,600	2.80
3494488	25HCB648A30	CSPH*6012A**	58ME(B,C)100-20	47,500	12.5	16.0	1425	1075	48,500	3.66	9.2	30,600	2.84
3494489	25HCB648A30	CSPH*6012A**	58ME(B,C)120-20	47,500	12.6	16.0	1440	1075	48,500	3.68	9.5	30,000	2.86
3494526	25HCB648A30	CSPH*6012A**	58MV(B,C)080-20	46,500	12.2	15.5	1310	1010	48,000	3.54	8.8	29,600	2.74
3494527	25HCB648A30	CSPH*6012A**	58MV(B,C)100-20	47,000	12.2	15.5	1395	1040	48,500	3.58	9.0	30,400	2.78
3494528	25HCB648A30	CSPH*6012A**	58MV(B,C)120-20	47,000	12.4	15.5	1360	1010	48,000	3.60	9.0	29,800	2.78
3494506	25HCB648A30	CSPH*6012A**	58PH*070-16	47,000	11.6	15.0	1465	1095	49,500	3.48	9.0	31,200	2.70
3494507	25HCB648A30	CSPH*6012A**	58PH*090-16	47,500	12.4	15.5	1430	1105	48,500	3.62	9.2	30,200	2.82
3494508	25HCB648A30	CSPH*6012A**	58PH*110-20	47,500	12.7	15.5	1395	1090	48,000	3.66	9.3	29,800	2.84
3494509	25HCB648A30	CSPH*6012A**	58PH*135-20	47,500	12.5	16.0	1420	1250	48,500	3.64	9.3	30,200	2.84
3514078	25HCB648A30	CSPH*6012A**	58VMR120-20	47,000	12.3	15.5	1355	1155	48,000	3.58	9.0	29,600	2.78
4791037	25HCB648A30	CSPH*6012A**	59*N*A100V21**20	45,500	12.2	15.4	1315	1140	47,000	3.54	9.1	29,600	2.74
4791038	25HCB648A30	CSPH*6012A**	59*N*A120V24**22	45,500	12.4	15.5	1290	1130	47,000	3.58	9.1	29,200	2.76
4791011	25HCB648A30	CSPH*6012A**	59*P5A080E17**16	46,000	11.8	15.0	1390	1000	47,500	3.52	8.8	30,600	2.74
4791012	25HCB648A30	CSPH*6012A**	59*P5A100E21**16	46,000	12.0	15.0	1395	1205	47,500	3.56	8.8	30,400	2.76
4213585	25HCB648A30	CSPH*6012A**	59*P5A120E24**22	46,500	12.3	15.0	1430	1300	47,500	3.62	9.1	30,200	2.82
4213586	25HCB648A30	CSPH*6012A**	OVLAA0848112	46,000	11.5	15.2	1450	1170	48,000	3.54	9.0	30,800	2.74
4213587	25HCB648A30	CSPH*6012A**	OVLAA0806154	47,500	12.0	15.7	1670	1330	48,500	3.66	9.0	31,000	2.82
3494492	25HCB648A30	CSPH*6012A**+TDR		48,000	11.8	14.0	1680	1120	50,000	3.58	8.8	31,400	2.76
3494493	25HCB648A30	FVACNB006		48,000	12.9	16.0	1400	1120	48,000	3.74	9.3	29,800	2.90
3494533	25HCB660A30	TFVACNB006		56,500	12.6	16.0	1750	1400	59,000	3.78	9.5	36,600	2.80
3494575	25HCB660A30	CAP**6021A**	58CV(A,X)110-20	55,500	11.9	15.0	1695	1190	59,000	3.60	8.8	37,200	2.68
3494576	25HCB660A30	CAP**6021A**	58CV(A,X)135-22	55,500	12.2	15.0	1685	1185	59,000	3.64	8.8	36,800	2.72
3494544	25HCB660A30	CAP**6021A**	58ME(B,C)080-16	54,500	11.8	15.0	1585	1130	59,000	3.54	8.7	37,000	2.66
3494536	25HCB660A30	CAP**6021A**	58ME(B,C)100-20	55,000	12.1	14.5	1620	1295	58,500	3.60	9.0	36,800	2.70
3494572	25HCB660A30	CAP**6021A**	58MV(B,C)080-20	55,000	11.3	15.0	1730	1200	60,000	3.50	8.8	37,800	2.60
3494573	25HCB660A30	CAP**6021A**	58MV(B,C)100-20	54,500	11.5	14.5	1660	1145	59,500	3.50	8.7	37,400	2.62
3494535	25HCB660A30	CAP**6021A**	58PH*110-20	55,500	12.2	15.0	1670	1335	59,000	3.64	9.0	36,800	2.72
3757758	25HCB660A30	CAP**6021A**	58UVB080-20	55,000	11.3	15.0	1730	1200	60,000	3.50	8.8	37,800	2.60
3757759	25HCB660A30	CAP**6021A**	58UVB100-20	54,500	11.5	14.5	1660	1145	59,500	3.50	8.7	37,400	2.62
3514090	25HCB660A30	CAP**6021A**	58VLR120-20	55,000	11.9	15.0	1735	1350	59,500	3.60	8.8	37,200	2.68
3514093	25HCB660A30	CAP**6021A**	58VMR120-20	54,500	11.5	14.5	1740	1355	60,000	3.64	8.7	37,600	2.64
4791046	25HCB660A30	CAP**6021A**	59*N*A100V21**20	53,500	11.5	14.5	1640	1315	58,500	3.50	8.7	37,400	2.62
3494534	25HCB660A30	CAP**6021A**+TDR		55,500	11.8	14.0	1750	1400	59,500	3.60	8.5	37,200	2.68
3494581	25HCB660A30	CAP**6024A**		55,500	12.0	15.0	1695	1190	59,000	3.60	8.8	37,000	2.70
3494582	25HCB660A30	CAP**6024A**	58CV(A,X)135-22	55,500	12.2	15.5	1685	1185	59,000	3.64	8.8	36,800	2.72
3494583	25HCB660A30	CAP**6024A**	58CV(A,X)155-22	55,500	12.4	15.5	1705	1175	59,000	3.68	8.7	36,600	2.74
3494548	25HCB660A30	CAP**6024A**	58ME(B,C)100-20	55,500	12.1	15.0	1630	1430	58,500	3.62	9.0	36,800	2.72
3494549	25HCB660A30	CAP**6024A**	58ME(B,C)120-20	55,500	12.3	15.5	1640	1420	58,500	3.64	9.0	36,600	2.74
3494578	25HCB660A30	CAP**6024A**	58MV(B,C)080-20	55,000	11.4	14.5	1730	1200	60,000	3.50	8.7	37,800	2.60
3494579	25HCB660A30	CAP**6024A**	58MV(B,C)100-20	55,000	11.6	14.5	1680	1145	59,500	3.52	8.8	37,400	2.62
3494580	25HCB660A30	CAP**6024A**	58MV(B,C)120-20	55,000	11.8	15.0	1680	1175	59,500	3.58	8.8	37,200	2.68
3494546	25HCB660A30	CAP**6024A**	58PH*110-20	55,500	12.2	15.0	1685	1410	59,000	3.64	9.0	36,800	2.72
3494547	25HCB660A30	CAP**6024A**	58PH*135-20	55,500	12.1	15.0	1650	1260	59,000	3.62	9.0	36,800	2.70
3757760	25HCB660A30	CAP**6024A**	58UVB080-20	55,000	11.4	14.5	1730	1200	60,000	3.50	8.7	37,800	2.60

See notes on pg. 35



COMBINATION RATINGS CONTINUED

AHRI Ref. No.	Model Number	Coil Model Number	Furnace Model Number	Cooling Capacity	Cooling				AHRI Standard Ratings				
					SEER	ID CFM		High Temp		HSPF	Low Temp		
						EER	High	Low	E Capacity		H Capacity	H COP	
3494537	25HCB660A30	CAP**6024A**	58UVB100-20	55,000	11.6	14.5	1660	1145	59,500	3.52	8.8	37,400	2.62
3494538	25HCB660A30	CAP**6024A**	58UVB120-20	55,000	11.8	15.0	1680	1175	59,500	3.52	8.8	37,200	2.68
3494539	25HCB660A30	CAP**6024A**	58VLR120-20	55,000	11.9	15.0	1735	1350	59,500	3.60	8.8	37,200	2.68
3494540	25HCB660A30	CAP**6024A**	58VMR120-20	54,500	11.6	14.5	1740	1355	60,000	3.54	8.7	37,200	2.64
3494541	25HCB660A30	CAP**6024A**	59*N*A100V21**20	54,000	11.6	14.5	1640	1315	58,500	3.52	8.8	37,000	2.64
3494542	25HCB660A30	CAP**6024A**	59*N*A120V24**22	54,000	12.0	14.9	1650	1290	58,000	3.60	9.0	36,800	2.68
3494543	25HCB660A30	CAP**6024A**	59*P5A120E24**22	54,000	12.0	15.0	1640	1310	58,000	3.58	9.0	36,800	2.68
3494544	25HCB660A30	CAP**6024A**+TDR		55,500	11.8	14.0	1750	1400	59,500	3.60	8.7	37,200	2.68
3494545	25HCB660A30	CAP**6025A**	58HDV100-20	55,000	11.6	14.5	1775	1415	60,000	3.58	8.8	37,000	2.66
3494546	25HCB660A30	CAP**6025A**	59*N*A100V21**20	54,000	11.5	14.5	1640	1315	58,500	3.52	8.7	37,200	2.64
3494547	25HCB660A30	CAP**6025A**	59*N*A120V24**22	54,000	11.7	14.9	1650	1290	58,000	3.60	9.0	36,800	2.68
3494548	25HCB660A30	CAP**6025A**	59*P5A120E24**22	54,000	11.7	15.0	1640	1310	58,000	3.58	9.0	36,800	2.68
3494549	25HCB660A30	CNPV*6024A**	58CV(A,X)110-20	55,000	12.0	15.0	1695	1190	59,000	3.60	8.8	37,000	2.70
3494550	25HCB660A30	CNPV*6024A**	58CV(A,X)135-22	55,000	12.2	15.5	1685	1185	58,500	3.64	8.8	36,600	2.72
3494551	25HCB660A30	CNPV*6024A**	58CV(A,X)155-22	55,000	12.3	15.5	1705	1175	58,500	3.66	8.8	36,600	2.74
3494552	25HCB660A30	CNPV*6024A**	58ME(B,C)080-16	54,500	11.8	15.0	1670	1135	59,000	3.54	8.7	36,800	2.68
3494553	25HCB660A30	CNPV*6024A**	58ME(B,C)100-20	55,000	12.2	15.0	1645	1440	58,500	3.60	9.0	36,600	2.72
3494554	25HCB660A30	CNPV*6024A**	58ME(B,C)120-20	55,500	12.3	15.5	1655	1290	58,500	3.64	9.0	36,600	2.74
3494555	25HCB660A30	CNPV*6024A**	58MV(B,C)080-20	55,000	11.4	14.5	1730	1200	60,000	3.50	8.7	37,800	2.60
3494556	25HCB660A30	CNPV*6024A**	58MV(B,C)100-20	54,500	11.6	15.0	1660	1145	59,500	3.50	8.7	37,400	2.62
3494557	25HCB660A30	CNPV*6024A**	58MV(B,C)120-20	54,500	11.9	15.0	1680	1175	59,000	3.56	8.8	37,000	2.66
3494558	25HCB660A30	CNPV*6024A**	58PH*110-20	55,500	12.2	15.0	1700	1425	59,000	3.64	9.0	36,800	2.72
3494559	25HCB660A30	CNPV*6024A**	58PH*135-20	55,500	12.1	15.0	1670	1280	59,000	3.62	9.0	36,800	2.72
3494560	25HCB660A30	CNPV*6024A**	58VMR120-20	54,500	11.6	14.5	1740	1355	59,500	3.54	8.7	37,600	2.64
3494561	25HCB660A30	CNPV*6024A**	59*N*A100V21**20	53,500	11.6	14.6	1640	1315	58,000	3.52	8.5	37,200	2.64
3494562	25HCB660A30	CNPV*6024A**	59*N*A120V24**22	54,000	12.0	15.0	1650	1290	58,000	3.58	9.0	36,800	2.68
3494563	25HCB660A30	CNPV*6024A**	59*P5A120E24**22	54,000	12.0	15.0	1655	1295	58,000	3.58	9.0	36,800	2.68
3494564	25HCB660A30	CNPV*6024A**		54,000	12.0	15.0	1655	1325	58,000	3.58	9.0	36,800	2.68
3494565	25HCB660A30	CNPV*6024A**+TDR		55,500	11.8	14.0	1750	1400	59,500	3.60	8.6	37,200	2.68
3494566	25HCB660A30	CNPV*6124A**	58CV(A,X)110-20	55,500	12.0	15.0	1695	1190	59,500	3.66	9.0	37,200	2.70
3494567	25HCB660A30	CNPV*6124A**	58CV(A,X)135-22	55,500	12.2	15.5	1685	1185	59,000	3.70	8.8	36,800	2.74
3494568	25HCB660A30	CNPV*6124A**	58CV(A,X)155-22	55,500	12.3	15.5	1705	1175	59,000	3.72	8.8	36,800	2.76
3494569	25HCB660A30	CNPV*6124A**	58ME(B,C)080-16	55,000	11.9	15.0	1585	1125	59,000	3.58	8.7	37,000	2.68
3494570	25HCB660A30	CNPV*6124A**	58ME(B,C)100-20	55,500	12.2	15.0	1625	1420	59,000	3.66	9.0	36,800	2.72
3494571	25HCB660A30	CNPV*6124A**	58ME(B,C)120-20	55,500	12.3	15.5	1630	1270	59,000	3.68	9.0	36,600	2.74
3494572	25HCB660A30	CNPV*6124A**	58MV(B,C)080-20	54,500	11.4	14.5	1730	1200	60,500	3.56	8.8	38,000	2.62
3494573	25HCB660A30	CNPV*6124A**	58MV(B,C)100-20	54,500	11.5	14.5	1660	1145	60,000	3.56	8.7	37,400	2.64
3494574	25HCB660A30	CNPV*6124A**	58MV(B,C)120-20	55,000	11.8	15.0	1680	1175	59,500	3.62	8.8	37,200	2.68
3494575	25HCB660A30	CNPV*6124A**	58PH*110-20	56,000	12.3	15.0	1675	1400	59,000	3.70	9.0	36,800	2.74
3494576	25HCB660A30	CNPV*6124A**	58PH*135-20	55,500	12.2	15.0	1640	1245	59,000	3.66	9.0	36,800	2.72
3494577	25HCB660A30	CNPV*6124A**	58VMR120-20	55,500	11.6	14.5	1740	1355	60,000	3.60	8.7	37,800	2.66
3494578	25HCB660A30	CNPV*6124A**	59*N*A100V21**20	54,000	11.6	14.6	1640	1315	58,500	3.56	8.5	37,400	2.64
3494579	25HCB660A30	CNPV*6124A**	59*N*A120V24**22	54,500	12.0	15.0	1650	1290	58,000	3.64	9.0	37,000	2.70
3494580	25HCB660A30	CNPV*6124A**	59*P5A120E24**22	54,500	12.0	15.0	1630	1300	58,000	3.64	9.0	37,000	2.70
3494581	25HCB660A30	CNPV*6124A**+TDR		56,000	11.9	14.0	1750	1400	60,000	3.66	8.7	37,400	2.70
3494582	25HCB660A30	CNPV*6024A**	58CV(A,X)110-20	55,500	12.0	15.0	1695	1190	59,000	3.60	8.8	37,000	2.70
3494583	25HCB660A30	CNPV*6024A**	58CV(A,X)135-22	55,500	12.3	15.5	1685	1185	58,500	3.64	9.0	36,600	2.72
3494584	25HCB660A30	CNPV*6024A**	58CV(A,X)155-22	55,500	12.4	15.5	1705	1175	58,500	3.66	9.0	36,600	2.74
3494585	25HCB660A30	CNPV*6024A**	58ME(B,C)100-20	55,500	12.2	15.0	1645	1440	58,500	3.60	9.0	36,600	2.72
3494586	25HCB660A30	CNPV*6024A**	58ME(B,C)120-20	55,500	12.3	15.5	1655	1290	58,500	3.64	9.0	36,600	2.74
3494587	25HCB660A30	CNPV*6024A**	58MV(B,C)080-20	55,000	11.4	14.5	1730	1200	60,000	3.50	8.8	37,800	2.60
3494588	25HCB660A30	CNPV*6024A**	58MV(B,C)100-20	54,500	11.6	15.0	1660	1145	59,500	3.50	8.8	37,400	2.62
3494589	25HCB660A30	CNPV*6024A**	58MV(B,C)120-20	55,000	11.9	15.0	1680	1175	59,000	3.56	8.8	37,000	2.68
3494590	25HCB660A30	CNPV*6024A**	58PH*110-20	55,500	12.2	15.0	1700	1425	59,000	3.64	9.0	36,800	2.72

COMBINATION RATINGS CONTINUED

AHRI Ref. No.	Model Number	Coil Model Number	Furnace Model Number	Cooling Capacity	Cooling			AHRI Standard Ratings					
					SEER	ID CFM		E COP	HSPF	High Temp		Low Temp	
						High	Low			E Capacity	H Capacity	H COP	
3494551	25HCB660A30	CNPV*6024A**	58PH*135-20	55,500	12.2	15.0	1870	1280	3.62	9.0	36,800	2.72	
3759029	25HCB660A30	CNPV*6024A**	58UVB080-20	55,000	11.4	14.5	1730	1200	3.50	8.8	37,800	2.60	
3759030	25HCB660A30	CNPV*6024A**	58UVB100-20	54,500	11.6	15.0	1660	1145	3.50	8.8	37,400	2.62	
3759031	25HCB660A30	CNPV*6024A**	58UVB120-20	55,000	11.9	15.0	1680	1175	3.56	8.8	37,000	2.68	
3514101	25HCB660A30	CNPV*6024A**	58VLR120-20	55,000	11.9	15.0	1735	1350	3.60	8.8	37,200	2.68	
3514096	25HCB660A30	CNPV*6024A**	58VMR120-20	54,500	11.6	14.5	1740	1355	3.54	8.7	37,600	2.64	
4791051	25HCB660A30	CNPV*6024A**	59*N*A100V21**20	53,500	11.6	14.5	1640	1315	3.52	8.8	37,200	2.64	
4791052	25HCB660A30	CNPV*6024A**	59*N*A120V24**22	54,000	12.0	15.0	1650	1290	3.58	9.0	36,800	2.68	
4791041	25HCB660A30	CNPV*6024A**	59*P5A120E24**22	54,000	12.0	15.0	1655	1325	3.58	9.0	36,800	2.68	
3494538	25HCB660A30	CNPV*6024A**+TDR	58CV(A,X)110-20	56,000	11.7	14.0	2000	1400	3.64	8.5	37,800	2.70	
3494593	25HCB660A30	CNPV*6124A**	58CV(A,X)135-20	56,500	12.2	15.5	1695	1190	3.70	9.0	37,000	2.74	
3494594	25HCB660A30	CNPV*6124A**	58CV(A,X)155-22	56,500	12.4	14.5	1685	1185	3.74	8.7	36,800	2.76	
3494595	25HCB660A30	CNPV*6124A**	58CV(A,X)155-22	56,500	12.5	16.0	1705	1175	3.78	9.0	36,800	2.80	
3494556	25HCB660A30	CNPV*6124A**	58ME(B,C)100-20	56,000	12.4	15.0	1650	1445	3.72	9.1	36,800	2.76	
3494557	25HCB660A30	CNPV*6124A**	58ME(B,C)120-20	56,000	12.5	15.5	1660	1300	3.74	9.2	36,600	2.78	
3494590	25HCB660A30	CNPV*6124A**	58MV(B,C)080-20	55,500	11.6	15.0	1730	1200	3.60	9.0	37,800	2.64	
3494591	25HCB660A30	CNPV*6124A**	58MV(B,C)100-20	55,500	11.8	15.0	1660	1145	3.60	9.0	37,400	2.66	
3494592	25HCB660A30	CNPV*6124A**	58MV(B,C)120-20	56,500	12.1	15.5	1680	1175	3.66	9.0	37,200	2.72	
3494554	25HCB660A30	CNPV*6124A**	58PH*110-20	56,500	12.4	15.5	1710	1430	3.76	9.2	36,800	2.78	
3494555	25HCB660A30	CNPV*6124A**	58PH*135-20	56,000	12.3	15.5	1675	1290	3.72	9.1	36,800	2.76	
3759032	25HCB660A30	CNPV*6124A**	58UVB080-20	55,500	11.6	15.0	1730	1200	3.60	9.0	37,800	2.64	
3759033	25HCB660A30	CNPV*6124A**	58UVB100-20	55,500	11.8	15.0	1660	1145	3.60	9.0	37,400	2.66	
3759034	25HCB660A30	CNPV*6124A**	58UVB120-20	56,000	12.1	15.5	1680	1175	3.66	9.0	37,200	2.72	
3514102	25HCB660A30	CNPV*6124A**	58VLR120-20	55,500	12.1	15.0	1735	1350	3.70	9.0	37,200	2.72	
3514097	25HCB660A30	CNPV*6124A**	58VMR120-20	55,500	11.8	15.0	1740	1355	3.64	8.8	37,600	2.68	
4791053	25HCB660A30	CNPV*6124A**	59*N*A100V21**20	54,500	11.8	14.7	1640	1315	3.62	9.0	37,200	2.68	
4791054	25HCB660A30	CNPV*6124A**	59*N*A120V24**22	55,000	12.2	15.3	1650	1290	3.68	9.2	37,000	2.74	
4791042	25HCB660A30	CNPV*6124A**	59*P5A120E24**22	55,000	12.1	15.3	1660	1335	3.68	8.8	37,000	2.74	
3494539	25HCB660A30	CNPV*6124A**+TDR	58CV(A,X)110-20	56,000	12.0	14.5	1750	1680	3.68	8.8	37,400	2.72	
3494612	25HCB660A30	CSPH*6012A**	58CV(A,X)135-20	55,000	12.1	15.0	1695	1190	3.66	8.8	37,000	2.72	
3494613	25HCB660A30	CSPH*6012A**	58CV(A,X)155-22	55,500	12.3	15.5	1685	1185	3.70	8.8	36,800	2.74	
3494614	25HCB660A30	CSPH*6012A**	58CV(A,X)155-22	55,500	12.4	15.5	1705	1175	3.74	8.8	36,600	2.78	
3494570	25HCB660A30	CSPH*6012A**	58ME(B,C)080-16	55,000	12.0	15.0	1605	1130	3.60	8.7	37,000	2.68	
3494571	25HCB660A30	CSPH*6012A**	58ME(B,C)100-20	55,500	12.3	15.0	1650	1440	3.68	9.0	36,800	2.74	
3494609	25HCB660A30	CSPH*6012A**	58ME(B,C)120-20	56,000	12.4	15.5	1660	1290	3.70	9.0	36,600	2.76	
3494610	25HCB660A30	CSPH*6012A**	58MV(B,C)080-20	54,500	11.5	15.0	1730	1200	3.56	8.8	37,800	2.64	
3494611	25HCB660A30	CSPH*6012A**	58MV(B,C)100-20	54,500	11.6	15.0	1660	1145	3.56	8.5	37,400	2.64	
3494568	25HCB660A30	CSPH*6012A**	58MV(B,C)120-20	55,000	11.9	15.0	1680	1175	3.62	8.7	37,200	2.70	
3494569	25HCB660A30	CSPH*6012A**	58PH*110-20	56,000	12.3	15.0	1710	1425	3.70	9.0	36,800	2.76	
3494569	25HCB660A30	CSPH*6012A**	58PH*135-20	55,500	12.2	15.0	1675	1275	3.68	9.0	36,800	2.74	
3514100	25HCB660A30	CSPH*6012A**	58VMR120-20	55,000	11.7	14.5	1740	1355	3.60	8.7	37,600	2.66	
4791059	25HCB660A30	CSPH*6012A**	59*N*A100V21**20	54,000	11.6	14.7	1640	1315	3.58	8.5	37,200	2.66	
4791060	25HCB660A30	CSPH*6012A**	59*N*A120V24**22	54,500	12.1	15.1	1650	1290	3.64	9.0	36,800	2.72	
4791045	25HCB660A30	CSPH*6012A**	59*P5A120E24**22	54,500	12.0	15.1	1665	1325	3.64	9.0	36,800	2.72	
3494542	25HCB660A30	CSPH*6012A**+TDR	58CV(A,X)110-20	56,000	11.9	14.0	1750	1400	3.64	8.7	37,400	2.70	

* Ratings are net values reflecting the effects of circulating fan heat. Supplemental electric heat is not included. Ratings are based on:

Cooling Standard: 80°F (27°C) db 67°F (19°C) wb indoor entering air temperature and 95°F (35°C) db air entering outdoor unit.

High-Temp Heating Standard: 70°F (21°C) db indoor entering air temperature and 47°F (8°C) db 43°F (6°C) wb air entering outdoor unit.

Low-Temp Heating Standard: 70°F (21°C) db indoor entering air temperature and 17°F (-8°C) db 15°F (-9°C) wb air entering outdoor unit.

SEER — Seasonal Energy Efficiency Ratio

COP — Coefficient of Performance

TDR — Time-Delay Relay

HSPF — Heating Seasonal Performance Factor

EER — Energy Efficiency Ratio

NOTE: Ratings contained in this document are subject to change at any time. Always refer to the AHRI directory (www.ahridirectory.org) for the most up-to-date ratings information.



25HCB6

DETAILED COOLING CAPACITIES#

EVAPORATOR AIR		CONDENSER ENTERING AIR TEMPERATURES ° F (° C)																	
CFM	EWB ° F (° C)	75 (23.9)			85 (29.4)			95 (35)			105 (40.6)			115 (46.1)			125 (51.7)		
		Capacity MBtuHt		Total System KW**	Capacity MBtuHt		Total System KW**	Capacity MBtuHt		Total System KW**	Capacity MBtuHt		Total System KW**	Capacity MBtuHt		Total System KW**	Capacity MBtuHt		Total System KW**
		Total	Sens†		Total	Sens†		Total	Sens†		Total	Sens†		Total	Sens†		Total	Sens†	
25HCB24A30-HI Outdoor Section With FV4CNF02 Indoor Section																			
600	72 (22.2)	27.16	14.15	1.44	25.86	13.63	1.82	24.49	13.06	1.80	23.07	12.47	2.05	21.56	11.85	2.30	19.97	11.20	2.58
	67 (19.4)	24.67	16.90	1.42	23.49	16.34	1.60	22.25	15.75	1.82	20.95	15.14	2.02	19.57	14.50	2.27	18.11	13.82	2.56
	63 (17.2)††	22.75	16.19	1.41	21.66	15.63	1.59	20.50	15.05	1.78	19.29	14.42	2.00	18.00	13.78	2.25	16.64	13.11	2.53
	62 (16.7)	22.41	19.59	1.40	21.34	19.02	1.58	20.21	18.42	1.78	19.02	17.76	2.00	17.78	17.06	2.25	16.48	16.30	2.53
	57 (13.9)	21.04	21.04	1.39	20.22	20.22	1.57	19.33	19.33	1.77	18.39	18.39	1.99	17.38	17.38	2.24	16.30	16.30	2.53
700	72 (22.2)	28.13	15.04	1.47	26.75	14.46	1.65	25.30	13.86	1.85	23.79	13.24	2.07	22.20	12.60	2.32	20.52	11.91	2.60
	67 (19.4)	25.58	18.21	1.45	24.32	17.82	1.63	23.00	17.00	1.83	21.61	16.36	2.05	20.16	15.68	2.30	18.61	14.97	2.58
	63 (17.2)††	23.61	17.41	1.43	22.44	16.82	1.61	21.20	16.20	1.81	19.91	15.56	2.02	18.55	14.87	2.27	17.11	14.15	2.56
	62 (16.7)	23.27	21.34	1.43	22.13	20.72	1.61	20.94	20.05	1.80	19.70	19.32	2.02	18.40	18.40	2.27	17.19	17.19	2.56
	57 (13.9)	22.33	22.33	1.42	21.43	21.43	1.60	20.46	20.46	1.80	19.43	19.43	2.02	18.34	18.34	2.27	17.16	17.16	2.56
735	72 (22.2)	28.43	15.32	1.48	27.01	14.74	1.66	25.54	14.13	1.86	24.00	13.50	2.08	22.38	12.85	2.33	20.68	12.15	2.61
	67 (19.4)	25.86	18.65	1.46	24.57	18.05	1.64	23.22	17.42	1.83	21.81	16.77	2.05	20.33	16.08	2.30	18.76	15.36	2.59
	63 (17.2)††	23.86	17.82	1.44	22.67	17.22	1.62	21.41	16.58	1.82	20.10	15.93	2.03	18.71	15.24	2.28	17.25	14.51	2.57
	62 (16.7)	23.53	21.93	1.44	22.38	21.28	1.62	21.17	20.58	1.81	19.93	19.81	2.03	18.67	18.67	2.28	17.45	17.45	2.57
	57 (13.9)	22.74	22.74	1.43	21.80	21.80	1.61	20.81	20.81	1.81	19.76	19.76	2.03	18.63	18.63	2.28	17.42	17.42	2.57
800	72 (22.2)	28.91	15.83	1.49	27.45	15.23	1.67	25.93	14.61	1.87	24.35	13.97	2.09	22.69	13.30	2.34	20.95	12.59	2.62
	67 (19.4)	26.31	19.45	1.47	24.98	18.83	1.65	23.59	18.19	1.85	22.13	17.52	2.07	20.61	16.81	2.32	19.01	16.07	2.60
	63 (17.2)††	24.28	18.56	1.45	23.05	17.94	1.63	21.75	17.30	1.83	20.40	16.63	2.05	18.98	15.92	2.30	17.47	15.16	2.58
	62 (16.7)	23.98	22.97	1.45	22.80	22.27	1.63	21.58	21.51	1.83	20.35	20.35	2.05	19.17	19.17	2.30	17.91	17.91	2.59
	57 (13.9)	23.44	23.44	1.44	22.46	22.46	1.63	21.42	21.42	1.83	20.31	20.31	2.05	19.14	19.14	2.30	17.88	17.88	2.59

EVAPORATOR AIR		CONDENSER ENTERING AIR TEMPERATURES ° F (° C)																	
CFM	EWB ° F (° C)	75 (23.9)			85 (29.4)			95 (35)			105 (40.6)			115 (46.1)			125 (51.7)		
		Capacity MBtuHt		Total System KW**	Capacity MBtuHt		Total System KW**	Capacity MBtuHt		Total System KW**	Capacity MBtuHt		Total System KW**	Capacity MBtuHt		Total System KW**	Capacity MBtuHt		Total System KW**
		Total	Sens†		Total	Sens†		Total	Sens†		Total	Sens†		Total	Sens†		Total	Sens†	
25HCB24A30-LO Outdoor Section With FV4CNF02 Indoor Section																			
440	72 (22.2)	20.02	10.37	0.99	19.05	9.98	1.15	18.00	9.54	1.33	16.90	9.09	1.54	15.71	8.59	1.80	14.44	8.06	2.09
	67 (19.4)	17.98	12.22	0.98	17.09	11.80	1.14	16.14	11.36	1.32	15.13	10.88	1.53	14.04	10.35	1.78	12.88	9.81	2.08
	63 (17.2)††	16.39	11.60	0.97	15.57	11.20	1.13	14.69	10.75	1.31	13.74	10.28	1.52	12.73	9.75	1.77	11.64	9.21	2.07
	62 (16.7)	16.12	14.02	0.96	15.31	13.80	1.12	14.45	13.14	1.31	13.54	12.64	1.52	12.56	12.07	1.77	11.54	11.45	2.07
	57 (13.9)	15.02	15.02	0.96	14.41	14.41	1.12	13.75	13.75	1.30	13.04	13.04	1.52	12.27	12.27	1.77	11.44	11.44	2.07
490	72 (22.2)	20.64	10.87	1.00	19.61	10.43	1.16	18.51	9.98	1.34	17.35	9.50	1.55	16.11	8.99	1.80	14.79	8.46	2.10
	67 (19.4)	18.54	12.91	0.98	17.60	12.47	1.15	16.61	12.00	1.33	15.54	11.51	1.54	14.41	10.99	1.79	13.20	10.40	2.09
	63 (17.2)††	16.91	12.26	0.97	16.04	11.81	1.13	15.11	11.35	1.32	14.12	10.86	1.53	13.07	10.33	1.78	11.94	9.75	2.08
	62 (16.7)	16.63	14.91	0.97	15.79	14.47	1.13	14.89	13.98	1.32	13.94	13.45	1.53	12.94	12.85	1.78	11.96	11.96	2.08
	57 (13.9)	15.75	15.75	0.96	15.10	15.10	1.13	14.40	14.40	1.31	13.64	13.64	1.53	12.82	12.82	1.78	11.93	11.93	2.08
560	72 (22.2)	21.35	11.48	1.01	20.26	11.03	1.17	19.10	10.55	1.35	17.88	10.05	1.56	16.57	9.52	1.81	15.19	8.86	2.11
	67 (19.4)	19.19	13.82	1.00	18.20	13.36	1.16	17.15	12.87	1.34	16.03	12.35	1.55	14.83	11.80	1.80	13.57	11.22	2.10
	63 (17.2)††	17.51	13.10	0.98	16.59	12.64	1.15	15.61	12.15	1.33	14.56	11.63	1.54	13.45	11.08	1.79	12.27	10.49	2.09
	62 (16.7)	17.25	16.13	0.98	16.36	15.62	1.14	15.43	15.08	1.33	14.44	14.44	1.54	13.52	13.52	1.79	12.56	12.56	2.09
	57 (13.9)	16.66	16.66	0.98	15.95	15.95	1.14	15.19	15.19	1.32	14.37	14.37	1.54	13.49	13.49	1.79	12.54	12.54	2.09
625	72 (22.2)	21.90	12.01	1.02	20.76	11.54	1.18	19.55	11.05	1.36	18.27	10.53	1.57	16.93	9.98	1.82	15.50	9.40	2.12
	67 (19.4)	19.70	14.63	1.01	18.66	14.15	1.17	17.56	13.65	1.35	16.39	13.11	1.56	15.16	12.53	1.81	13.85	11.92	2.11
	63 (17.2)††	17.98	13.85	0.99	17.01	13.67	1.15	15.99	12.85	1.34	14.90	12.33	1.55	13.75	11.75	1.80	12.52	11.13	2.10
	62 (16.7)	17.75	17.16	0.99	16.84	16.84	1.15	15.89	15.89	1.34	15.00	15.00	1.55	14.06	14.06	1.80	13.05	13.05	2.10
	57 (13.9)	17.40	17.40	0.99	16.65	16.65	1.15	15.84	15.84	1.34	14.97	14.97	1.55	14.03	14.03	1.80	13.02	13.02	2.10

See notes on pg. 47

DETAILED COOLING CAPACITIES# CONTINUED

EVAPORATOR AIR		CONDENSER ENTERING AIR TEMPERATURES °F (°C)																	
		75 (23.9)			85 (29.4)			95 (35)			105 (40.6)			115 (46.1)			125 (51.7)		
		CFM	EWB °F (°C)	Capacity MBtuHt		Total System KW**	Capacity MBtuHt		Total System KW**	Capacity MBtuHt		Total System KW**	Capacity MBtuHt		Total System KW**	Capacity MBtuHt		Total System KW**	
Total	Sens†			Total	Sens†		Total	Sens†		Total	Sens†		Total	Sens†		Total	Sens†		
25HCB636A30—HI Outdoor Section With FV4CNF003 Indoor Section																			
	72 (22.2)	40.32	19.79	2.20	38.48	19.08	2.45	36.55	18.35	2.72	34.55	17.60	3.02	32.43	16.82	3.38	30.22	16.02	3.79
900	67 (19.4)	36.52	23.79	2.17	34.83	23.08	2.42	33.05	22.39	2.69	31.19	21.55	2.99	29.24	20.73	3.34	27.19	19.89	3.75
	63 (17.2)††	33.70	22.87	2.15	32.11	22.14	2.40	30.44	21.38	2.67	28.71	20.59	2.97	26.87	19.78	3.32	24.94	18.93	3.72
	62 (16.7)	33.07	27.59	2.14	31.50	26.84	2.39	29.87	26.06	2.66	28.17	25.25	2.96	26.41	24.40	3.31	24.58	23.45	3.71
	57 (13.9)	31.05	31.05	2.13	29.86	29.86	2.38	28.61	28.61	2.65	27.30	27.30	2.96	25.91	25.91	3.31	24.42	24.42	3.71
	72 (22.2)	41.59	20.96	2.23	39.64	20.22	2.48	37.67	19.48	2.75	35.47	18.71	3.06	33.25	17.92	3.41	30.93	17.10	3.82
1050	67 (19.4)	37.69	25.54	2.21	35.87	24.78	2.45	34.00	24.00	2.72	32.03	23.20	3.02	29.98	22.36	3.37	27.83	21.49	3.78
	63 (17.2)††	34.79	24.49	2.18	33.09	23.72	2.43	31.33	22.94	2.70	29.48	22.13	3.00	27.56	21.29	3.35	25.54	20.41	3.75
	62 (16.7)	34.16	29.89	2.18	32.51	29.10	2.42	30.81	28.27	2.69	29.05	27.37	3.00	27.28	25.68	3.34	25.68	25.68	3.75
	57 (13.9)	32.79	32.79	2.16	31.50	31.50	2.42	30.15	30.15	2.69	28.74	28.74	2.99	27.24	27.24	3.34	25.64	25.64	3.75
	72 (22.2)	41.94	21.32	2.24	39.96	20.59	2.49	37.89	19.83	2.76	35.73	19.06	3.07	33.48	18.27	3.42	31.12	17.44	3.83
1100	67 (19.4)	38.01	26.09	2.21	36.17	25.32	2.46	34.26	24.53	2.73	32.26	23.72	3.03	30.18	22.88	3.38	28.00	22.00	3.79
	63 (17.2)††	35.09	25.00	2.19	33.37	24.23	2.44	31.57	23.44	2.71	29.70	22.62	3.01	27.75	21.77	3.36	25.70	20.89	3.76
	62 (16.7)	34.47	30.61	2.19	32.80	29.80	2.44	31.09	28.95	2.70	29.33	28.00	3.01	27.66	27.66	3.36	26.03	26.03	3.76
	57 (13.9)	33.30	33.30	2.18	31.99	31.99	2.43	30.61	30.61	2.70	29.15	29.15	3.01	27.62	27.62	3.35	26.00	26.00	3.76
	72 (22.2)	42.57	22.04	2.26	40.52	21.29	2.51	38.39	20.53	2.78	36.18	19.75	3.09	33.86	18.95	3.44	31.46	18.10	3.85
1200	67 (19.4)	38.57	27.15	2.23	36.68	26.37	2.48	34.71	25.57	2.75	32.87	24.75	3.05	30.53	23.89	3.40	28.31	23.00	3.81
	63 (17.2)††	35.62	25.99	2.21	33.84	25.21	2.46	32.00	24.41	2.73	30.08	23.57	3.03	28.08	22.71	3.37	25.99	21.81	3.78
	62 (16.7)	35.04	32.00	2.21	33.35	31.14	2.45	31.62	30.19	2.72	29.97	29.97	3.03	28.37	28.37	3.38	26.67	26.67	3.79
	57 (13.9)	34.25	34.25	2.20	32.87	32.87	2.45	31.43	31.43	2.72	29.92	29.92	3.03	28.33	28.33	3.38	26.64	26.64	3.79

EVAPORATOR AIR		CONDENSER ENTERING AIR TEMPERATURES °F (°C)																	
		75 (23.9)			85 (29.4)			95 (35)			105 (40.6)			115 (46.1)			125 (51.7)		
		CFM	EWB °F (°C)	Capacity MBtuHt		Total System KW**	Capacity MBtuHt		Total System KW**	Capacity MBtuHt		Total System KW**	Capacity MBtuHt		Total System KW**	Capacity MBtuHt		Total System KW**	
Total	Sens†			Total	Sens†		Total	Sens†		Total	Sens†		Total	Sens†		Total	Sens†		
25HCB636A30 Outdoor Section With FV4CNF003 Indoor Section																			
	72 (22.2)	29.20	14.67	1.51	27.61	14.06	1.68	25.97	13.45	1.88	24.28	12.83	2.10	22.54	12.19	2.36	20.75	11.55	2.67
660	67 (19.4)	26.25	17.64	1.52	24.80	17.02	1.70	23.31	16.39	1.90	21.76	15.74	2.13	20.16	15.07	2.39	18.50	14.39	2.71
	63 (17.2)††	24.07	16.87	1.53	22.73	16.25	1.71	21.34	15.61	1.91	19.89	14.97	2.15	18.39	14.30	2.42	16.83	13.92	2.74
	62 (16.7)	23.58	20.43	1.53	22.27	19.80	1.71	20.91	19.16	1.92	19.52	18.49	2.15	18.12	18.12	2.42	16.91	16.91	2.74
	57 (13.9)	22.31	22.31	1.54	21.33	21.33	1.72	20.30	20.30	1.92	19.22	19.22	2.15	18.09	18.09	2.42	16.88	16.88	2.74
	72 (22.2)	29.90	15.34	1.51	28.23	14.71	1.69	26.54	14.07	1.88	24.78	13.44	2.11	22.97	12.79	2.36	21.11	12.14	2.67
735	67 (19.4)	26.89	18.60	1.52	25.38	17.96	1.70	23.81	17.30	1.90	22.21	16.64	2.13	20.54	15.96	2.40	18.83	15.26	2.71
	63 (17.2)††	24.67	17.76	1.53	23.26	17.12	1.72	21.81	16.47	1.92	20.30	15.80	2.15	18.75	15.12	2.42	17.14	14.42	2.75
	62 (16.7)	24.19	21.69	1.53	22.82	21.04	1.72	21.42	20.36	1.92	20.02	20.02	2.15	18.81	18.81	2.42	17.54	17.54	2.74
	57 (13.9)	23.27	23.27	1.54	22.22	22.22	1.72	21.12	21.12	1.92	19.98	19.98	2.15	18.78	18.78	2.42	17.51	17.51	2.74
	72 (22.2)	30.69	16.19	1.52	28.95	15.55	1.70	27.16	14.90	1.89	25.33	14.25	2.11	23.45	13.59	2.37	21.51	12.90	2.67
840	67 (19.4)	27.62	19.86	1.53	26.02	19.20	1.71	24.38	18.53	1.91	22.70	17.84	2.13	20.97	17.14	2.40	19.19	16.43	2.71
	63 (17.2)††	25.34	18.94	1.54	23.86	18.28	1.72	22.33	17.61	1.92	20.77	16.92	2.16	19.15	16.22	2.43	17.49	15.50	2.75
	62 (16.7)	24.90	23.36	1.54	23.49	22.64	1.72	22.17	22.17	1.92	20.93	20.93	2.15	19.64	19.64	2.42	18.30	18.30	2.73
	57 (13.9)	24.43	24.43	1.54	23.30	23.30	1.73	22.13	22.13	1.93	20.90	20.90	2.15	19.61	19.61	2.42	18.27	18.27	2.73
	72 (22.2)	31.24	16.90	1.53	29.44	16.24	1.70	27.58	15.58	1.90	25.70	14.91	2.12	23.77	14.21	2.37	21.79	13.50	2.68
930	67 (19.4)	28.12	20.90	1.54	26.46	20.22	1.72	24.76	19.53	1.91	23.04	18.83	2.14	21.26	18.11	2.41	19.46	17.37	2.72
	63 (17.2)††	25.81	19.90	1.55	24.27	19.23	1.73	22.70	18.54	1.93	21.08	17.84	2.16	19.43	17.12	2.43	17.74	16.38	2.75
	62 (16.7)	25.46	24.64	1.55	24.14	24.14	1.73	22.89	22.89	1.93	21.60	21.60	2.15	20.25	20.25	2.42	18.84	18.84	2.73
	57 (13.9)	25.30	25.30	1.55	24.10	24.10	1.73	22.86	22.86	1.93	21.57	21.57	2.15	20.22	20.22	2.42	18.81	18.81	2.73



25HCB6

DETAILED COOLING CAPACITIES# CONTINUED

EVAPORATOR AIR		CONDENSER ENTERING AIR TEMPERATURES °F (°C)																	
CFM	EWB °F (°C)	75 (23.9)			85 (29.4)			95 (35)			105 (40.6)			115 (46.1)			125 (51.7)		
		Capacity MBtuHt	Total System KW**	Sensit	Capacity MBtuHt	Total System KW**	Sensit	Capacity MBtuHt	Total System KW**	Sensit	Capacity MBtuHt	Total System KW**	Sensit	Capacity MBtuHt	Total System KW**	Sensit	Capacity MBtuHt	Total System KW**	Sensit
25HCB48A30-LO Outdoor Section With FV4CNF005 Indoor Section																			
	72 (22.2)	55.28	3.10	52.98	28.85	3.40	50.49	25.90	3.72	47.88	24.90	4.08	45.01	23.82	4.47	41.98	22.89	4.91	39.35
	67 (19.4)	50.06	3.06	47.95	32.54	3.35	45.68	31.57	3.67	43.26	30.55	4.02	40.65	29.43	4.42	37.83	28.24	4.85	35.35
1200	63 (17.2)††	46.20	3.02	44.23	31.24	3.32	42.12	30.28	3.63	39.85	29.23	3.98	37.41	28.11	4.37	34.75	26.91	4.81	32.32
	62 (16.7)	45.31	3.02	43.38	37.94	3.31	41.31	36.93	3.63	39.10	35.86	3.98	36.73	34.71	4.37	34.19	33.42	4.80	31.73
	57 (13.9)	42.55	2.99	41.09	41.09	3.29	39.52	39.52	3.61	37.81	37.81	3.96	35.96	35.96	4.36	33.92	33.92	4.80	31.24
	72 (22.2)	57.01	3.16	54.56	28.50	3.46	51.94	27.51	3.78	49.15	26.47	4.14	46.16	25.37	4.53	42.96	24.21	4.97	40.35
1400	67 (19.4)	51.65	3.12	49.41	35.03	3.41	47.00	34.00	3.73	44.43	32.92	4.08	41.68	31.77	4.48	38.71	30.54	4.91	36.22
	63 (17.2)††	47.69	3.08	45.60	33.55	3.37	43.34	32.55	3.69	40.95	31.44	4.04	38.37	30.28	4.43	35.58	29.04	4.87	33.05
	62 (16.7)	46.81	3.07	44.77	41.22	3.37	42.60	40.15	3.68	40.29	38.98	4.04	37.89	37.89	4.43	35.68	35.68	4.87	33.05
	57 (13.9)	44.98	3.06	43.39	43.39	3.35	41.68	41.68	3.68	39.82	39.82	4.03	37.82	37.82	4.43	35.62	35.62	4.87	33.05
	72 (22.2)	57.51	3.18	55.01	29.04	3.48	52.35	28.04	3.80	49.52	27.00	4.16	46.48	25.89	4.55	43.24	24.73	4.99	41.14
1470	67 (19.4)	52.12	3.14	49.82	35.84	3.43	47.37	34.81	3.75	44.77	33.72	4.10	41.96	32.55	4.49	38.96	31.32	4.93	36.43
	63 (17.2)††	48.13	3.10	45.99	34.31	3.39	43.70	33.27	3.71	41.26	32.18	4.06	38.64	31.01	4.45	35.82	29.76	4.89	33.95
	62 (16.7)	47.25	3.09	45.19	42.31	3.39	42.99	41.20	3.70	40.68	39.97	4.06	38.44	38.44	4.45	36.19	36.19	4.89	33.95
	57 (13.9)	45.74	3.08	44.10	44.10	3.38	42.35	42.35	3.70	40.44	40.44	4.05	38.38	38.38	4.45	36.14	36.14	4.89	33.95
	72 (22.2)	58.33	3.23	55.76	30.01	3.52	53.03	29.02	3.84	50.11	27.95	4.19	47.00	26.84	4.59	43.68	25.86	5.03	41.14
	67 (19.4)	52.87	3.17	50.50	37.32	3.47	47.98	36.27	3.79	45.31	35.17	4.14	42.43	33.98	4.53	39.37	32.73	4.97	36.43
1600	63 (17.2)††	48.83	3.13	46.82	35.69	3.43	44.27	34.63	3.75	41.76	33.51	4.10	39.08	32.33	4.49	36.20	31.06	4.92	33.95
	62 (16.7)	48.01	3.13	45.90	44.23	3.42	43.69	43.31	3.74	41.55	41.55	4.10	39.41	39.41	4.49	37.06	37.06	4.94	33.95
	57 (13.9)	47.01	3.12	45.31	45.31	3.42	43.47	43.47	3.74	41.48	41.48	4.10	39.35	39.35	4.49	37.01	37.01	4.94	33.95

EVAPORATOR AIR		CONDENSER ENTERING AIR TEMPERATURES °F (°C)																	
CFM	EWB °F (°C)	75 (23.9)			85 (29.4)			95 (35)			105 (40.6)			115 (46.1)			125 (51.7)		
		Capacity MBtuHt	Total System KW**	Sensit	Capacity MBtuHt	Total System KW**	Sensit	Capacity MBtuHt	Total System KW**	Sensit	Capacity MBtuHt	Total System KW**	Sensit	Capacity MBtuHt	Total System KW**	Sensit	Capacity MBtuHt	Total System KW**	Sensit
25HCB48A30-LO Outdoor Section With FV4CNF005 Indoor Section																			
	72 (22.2)	39.31	1.97	37.57	19.50	2.21	35.71	18.77	2.47	33.71	18.01	2.78	31.57	17.19	3.13	29.26	16.34	3.54	27.01
	67 (19.4)	35.33	1.98	33.74	23.59	2.23	32.04	22.85	2.50	30.21	22.07	2.81	28.24	21.23	3.17	26.13	20.32	3.58	23.55
880	63 (17.2)††	32.40	1.99	30.93	22.55	2.24	29.34	21.82	2.52	27.64	21.02	2.83	25.80	20.17	3.20	23.82	19.27	3.63	21.73
	62 (16.7)	31.73	1.99	30.28	27.44	2.24	28.73	26.68	2.52	27.07	25.88	2.84	25.30	25.00	3.21	23.55	23.55	3.63	21.73
	57 (13.9)	29.89	2.00	28.82	28.82	2.25	27.66	27.66	2.53	26.39	26.39	2.85	25.01	25.01	3.21	23.51	23.51	3.63	21.73
	72 (22.2)	40.47	1.99	38.82	20.58	2.22	36.65	19.83	2.49	34.55	19.05	2.79	32.30	18.22	3.14	29.90	17.94	3.55	27.01
	67 (19.4)	36.39	2.00	34.70	25.18	2.24	32.91	24.41	2.51	30.98	23.58	2.82	28.92	22.71	3.17	26.71	21.78	3.59	24.23
1000	63 (17.2)††	33.38	2.00	31.82	24.02	2.25	30.15	23.25	2.53	28.35	22.42	2.84	26.43	21.55	3.21	24.36	20.82	3.63	21.73
	62 (16.7)	32.70	2.01	31.19	28.53	2.28	29.56	28.73	2.53	27.85	27.85	2.85	26.25	26.25	3.21	24.63	24.63	3.63	21.73
	57 (13.9)	31.45	2.01	30.30	30.30	2.26	29.04	29.04	2.54	27.68	27.68	2.85	26.20	26.20	3.21	24.58	24.58	3.63	21.73
	72 (22.2)	41.39	2.00	39.46	21.61	2.24	37.41	20.84	2.50	35.22	20.03	2.80	32.89	19.18	3.15	30.40	18.28	3.60	27.01
	67 (19.4)	37.23	2.01	35.47	26.67	2.25	33.59	25.87	2.52	31.59	25.03	2.83	29.45	24.14	3.19	27.17	23.19	3.56	24.23
1120	63 (17.2)††	34.17	2.02	32.53	25.41	2.27	30.78	24.61	2.54	28.92	23.77	2.86	26.92	22.88	3.22	24.79	21.92	3.64	21.73
	62 (16.7)	33.52	2.02	31.95	31.50	2.27	30.29	30.29	2.55	28.83	28.83	2.86	27.26	27.26	3.21	25.55	25.55	3.63	21.73
	57 (13.9)	32.81	2.02	31.57	31.57	2.27	30.23	30.23	2.55	28.78	28.78	2.86	27.21	27.21	3.21	25.51	25.51	3.63	21.73
	72 (22.2)	41.92	2.02	39.93	22.25	2.25	37.83	21.47	2.51	35.80	20.85	2.81	33.22	19.79	3.16	30.67	18.88	3.57	27.01
	67 (19.4)	37.71	2.02	35.90	27.63	2.26	33.97	26.82	2.53	31.93	25.97	2.84	29.75	25.06	3.19	27.42	24.10	3.61	24.23
1200	63 (17.2)††	34.61	2.03	32.83	28.30	2.28	31.14	25.50	2.55	29.23	24.64	2.87	27.20	23.73	3.22	25.03	22.76	3.65	21.73
	62 (16.7)	34.02	2.03	32.44	32.31	2.28	30.99	30.99	2.55	29.49	29.49	2.86	27.86	27.86	3.22	26.10	26.10	3.63	21.73
	57 (13.9)	33.62	2.03	32.33	32.33	2.28	30.94	30.94	2.55	29.44	29.44	2.86	27.82	27.82	3.22	26.06	26.06	3.63	21.73



25HCB6

DETAILED COOLING CAPACITIES# CONTINUED

EVAPORATOR AIR		CONDENSER ENTERING AIR TEMPERATURES °F (°C)																	
CFM	EWB °F (°C)	75 (23.9)			85 (29.4)			95 (35)			105 (40.6)			115 (46.1)			125 (51.7)		
		Capacity MBtuHt	Total System KW**	Sens†	Capacity MBtuHt	Total System KW**	Sens†	Capacity MBtuHt	Total System KW**	Sens†	Capacity MBtuHt	Total System KW**	Sens†	Capacity MBtuHt	Total System KW**	Sens†	Capacity MBtuHt	Total System KW**	Sens†
25HCB660A30 Outdoor Section With FV4CNB00s Indoor Section																			
	72 (22.2)	66.14	33.31	32.17	4.00	60.03	30.96	4.43	56.63	28.67	4.89	52.94	28.30	5.41	48.93	26.84	5.99		
	67 (19.4)	60.18	40.51	39.33	3.94	54.67	38.16	4.36	51.58	36.88	4.83	48.24	35.50	5.35	44.61	33.99	5.92		
1600	63 (17.2)††	55.73	39.01	37.87	3.89	50.65	36.68	4.31	47.79	35.41	4.78	44.71	34.01	5.29	41.36	32.52	5.87		
	62 (16.7)	54.68	47.40	46.24	3.88	49.70	45.00	4.30	46.92	43.66	4.77	43.95	42.20	5.28	40.83	30.83	5.86		
	57 (13.9)	51.75	41.75	49.93	3.86	47.94	47.94	4.28	45.78	45.78	4.75	43.40	43.40	5.28	40.76	40.76	5.86		
	72 (22.2)	67.96	35.26	34.07	4.09	61.45	32.82	4.51	57.76	31.47	4.98	53.96	30.10	5.50	49.79	28.61	6.07		
	67 (19.4)	61.88	43.59	42.38	4.02	56.00	41.10	4.44	52.74	39.75	4.91	49.20	38.29	5.43	45.40	36.74	6.00		
1750	63 (17.2)††	57.36	41.87	40.67	3.97	51.94	39.41	4.39	48.92	38.06	4.86	45.65	37.37	5.37	42.15	35.07	5.95		
	62 (16.7)	56.32	51.44	50.21	3.96	51.08	48.86	4.39	48.23	47.84	4.85	45.46	45.46	5.37	42.59	42.59	5.96		
	57 (13.9)	54.55	54.55	52.54	3.95	50.38	50.38	4.38	48.00	48.00	4.85	45.39	45.39	5.37	42.52	42.52	5.95		
	72 (22.2)	68.46	35.88	34.69	4.11	61.85	33.43	4.54	58.00	32.03	5.00	54.25	30.69	5.52	50.00	29.20	6.10		
	67 (19.4)	62.85	44.56	43.34	4.05	56.37	42.05	4.47	53.05	40.68	4.94	49.46	39.21	5.45	45.62	37.65	6.03		
1835	63 (17.2)††	57.80	42.77	41.56	4.00	52.29	40.29	4.42	49.22	38.93	4.89	45.91	37.46	5.40	42.35	35.90	5.97		
	62 (16.7)	56.80	52.74	51.47	3.99	51.51	50.06	4.41	48.73	48.73	4.88	46.04	46.04	5.40	43.10	43.10	5.99		
	57 (13.9)	55.38	55.38	53.32	3.98	51.09	51.09	4.41	48.66	48.66	4.88	45.98	45.98	5.40	43.04	43.04	5.99		
2000	72 (22.2)	69.29	37.06	35.86	4.17	62.49	34.59	4.59	58.38	33.11	5.05	54.70	31.82	5.57	50.29	30.27	6.14		
	67 (19.4)	63.13	46.39	45.15	4.10	56.90	43.81	4.52	53.56	42.44	4.99	49.89	40.95	5.50	45.95	39.34	6.08		
	63 (17.2)††	58.55	44.48	43.25	4.05	52.88	41.95	4.47	49.72	40.56	4.94	46.35	39.08	5.45	42.69	37.47	6.02		
	62 (16.7)	57.85	55.15	53.75	4.04	52.42	52.42	4.47	49.87	49.87	4.94	47.07	47.07	5.46	43.98	43.98	6.05		
	57 (13.9)	56.85	56.85	54.68	4.04	52.35	52.35	4.47	49.80	49.80	4.94	47.01	47.01	5.46	43.94	43.94	6.04		

EVAPORATOR AIR		CONDENSER ENTERING AIR TEMPERATURES °F (°C)																	
CFM	EWB °F (°C)	75 (23.9)			85 (29.4)			95 (35)			105 (40.6)			115 (46.1)			125 (51.7)		
		Capacity MBtuHt	Total System KW**	Sens†	Capacity MBtuHt	Total System KW**	Sens†	Capacity MBtuHt	Total System KW**	Sens†	Capacity MBtuHt	Total System KW**	Sens†	Capacity MBtuHt	Total System KW**	Sens†	Capacity MBtuHt	Total System KW**	Sens†
25HCB660A30-LO Outdoor Section With FV4CNB00s Indoor Section																			
	72 (22.2)	47.05	24.18	23.32	2.68	42.58	22.47	3.01	40.08	21.54	3.38	37.38	20.55	3.80	34.49	19.50	4.30		
	67 (19.4)	42.62	29.41	28.58	2.71	38.46	27.69	3.04	36.19	26.75	3.42	33.74	25.73	3.86	31.12	24.64	4.37		
1100	63 (17.2)††	39.17	28.21	27.39	2.72	35.43	26.51	3.07	33.32	25.55	3.45	31.05	24.53	3.90	28.63	23.45	4.42		
	62 (16.7)	38.38	34.38	33.54	2.73	34.72	32.63	3.07	32.68	31.64	3.46	30.54	30.54	3.91	28.63	28.63	4.42		
	57 (13.9)	36.63	36.63	35.30	2.74	33.84	33.84	3.08	32.23	32.23	3.47	30.48	30.48	3.91	28.58	28.58	4.42		
	72 (22.2)	48.23	25.48	24.61	2.70	43.51	23.73	3.02	40.88	22.79	3.39	38.08	21.75	3.82	35.06	20.67	4.31		
	67 (19.4)	43.82	31.39	30.52	2.72	39.35	29.58	3.05	36.86	28.59	3.43	34.41	27.53	3.87	31.67	26.41	4.38		
1250	63 (17.2)††	40.22	30.05	29.18	2.74	36.27	28.25	3.08	34.06	27.26	3.47	31.69	26.21	3.91	29.16	25.10	4.43		
	62 (16.7)	39.44	36.97	36.08	2.75	35.63	35.09	3.09	33.72	33.72	3.47	31.83	31.83	3.91	29.79	29.79	4.41		
	57 (13.9)	38.41	38.41	36.97	2.75	35.39	35.39	3.09	33.66	33.66	3.47	31.78	31.78	3.91	29.74	29.74	4.41		
	72 (22.2)	49.16	26.71	25.81	2.72	44.26	24.91	3.04	41.54	23.93	3.41	38.61	22.88	3.83	35.49	21.79	4.33		
	67 (19.4)	44.50	33.23	32.33	2.74	40.04	31.37	3.07	37.56	30.35	3.45	34.91	29.27	3.88	32.10	28.13	4.39		
1400	63 (17.2)††	41.05	31.76	30.87	2.76	36.94	29.92	3.10	34.64	28.90	3.48	32.18	27.82	3.93	29.58	26.68	4.44		
	62 (16.7)	40.35	39.40	38.47	2.77	36.77	36.77	3.10	34.93	34.93	3.48	32.93	32.93	3.91	30.76	30.76	4.42		
	57 (13.9)	39.93	39.93	38.40	2.77	36.71	36.71	3.10	34.87	34.87	3.48	32.88	32.88	3.91	30.72	30.72	4.42		
	72 (22.2)	49.88	27.48	26.58	2.74	44.67	25.67	3.06	41.88	24.67	3.42	38.90	23.82	3.84	35.72	22.49	4.34		
	67 (19.4)	44.98	34.41	33.50	2.76	40.43	32.53	3.09	37.89	31.50	3.46	35.19	30.40	3.89	32.33	29.23	4.40		
1600	63 (17.2)††	41.51	32.86	31.96	2.78	37.30	30.99	3.11	34.95	29.96	3.50	32.46	28.87	3.94	29.81	27.70	4.45		
	62 (16.7)	40.91	40.91	39.31	2.78	37.55	37.55	3.11	35.64	35.64	3.49	33.57	33.57	3.92	31.32	31.32	4.42		
	57 (13.9)	40.84	40.84	39.25	2.78	37.49	37.49	3.11	35.59	35.59	3.49	33.52	33.52	3.92	31.28	31.28	4.42		

HEAT PUMP HEATING PERFORMANCE

INDOOR AIR		OUTDOOR COIL ENTERING AIR TEMPERATURES ° F (° C)															
EDB ° F (° C)	CFM	-3 (-19.4)		7 (-13.9)		17 (-8.3)		27 (-2.8)		37 (2.8)		47 (8.3)		57 (13.9)		67 (19.4)	
		Capacity MBtuh	Total Sys. KwT	Capacity MBtuh	Total Sys. KwT	Capacity MBtuh	Total Sys. KwT	Capacity MBtuh	Total Sys. KwT	Capacity MBtuh	Total Sys. KwT	Capacity MBtuh	Total Sys. KwT	Capacity MBtuh	Total Sys. KwT	Capacity MBtuh	Total Sys. KwT
		Total	Integ*	Total	Integ*	Total	Integ*	Total	Integ*	Total	Integ*	Total	Integ*	Total	Integ*	Total	Integ*
25HCB24A30 Outdoor Section With FV4CNF002 Indoor Section																	
65 (18.3)	600	9.85	9.06	12.27	11.28	15.08	13.75	18.30	16.25	21.96	19.98	26.11	26.11	30.71	30.71	35.79	35.79
	700	9.98	9.18	12.45	11.44	15.31	13.96	18.59	16.51	22.31	20.30	26.46	26.46	31.03	31.03	36.13	36.13
	735	10.01	9.21	12.50	11.49	15.38	14.02	18.68	16.59	22.40	20.39	26.55	26.55	31.11	31.11	36.20	36.20
	800	10.08	9.28	12.59	11.57	15.49	14.12	18.80	16.70	22.54	20.51	26.67	26.67	31.20	31.20	36.30	36.30
70 (21.1)	600	9.62	8.85	12.01	11.04	14.77	13.47	17.93	15.93	21.54	19.60	25.64	25.64	30.19	30.19	35.18	35.18
	700	9.77	8.99	12.19	11.20	14.85	13.67	18.22	16.18	21.89	19.92	26.00	26.00	30.52	30.52	35.52	35.52
	735	9.81	9.03	12.24	11.25	14.96	13.73	18.31	16.26	21.98	20.00	26.09	26.09	30.60	30.60	35.60	35.60
	800	9.88	9.09	12.33	11.33	15.18	13.84	18.44	16.38	22.13	20.14	26.22	26.22	30.71	30.71	35.70	35.70
75 (23.9)	600	9.20	8.47	11.75	10.80	14.46	13.18	17.57	15.60	21.12	19.22	25.15	25.15	29.67	29.67	34.62	34.62
	700	9.51	8.75	11.92	10.95	14.68	13.38	17.85	15.85	21.46	19.53	25.52	25.52	30.02	30.02	34.96	34.96
	735	9.55	8.79	11.98	11.01	14.75	13.45	17.93	15.93	21.57	19.63	25.62	25.62	30.10	30.10	35.03	35.03
	800	9.63	8.86	12.07	11.09	14.86	13.55	18.07	16.05	21.72	19.76	25.75	25.75	30.21	30.21	35.13	35.13

INDOOR AIR		OUTDOOR COIL ENTERING AIR TEMPERATURES ° F (° C)													
EDB ° F (° C)	CFM	7 (-13.9)		17 (-8.3)		27 (-2.8)		37 (2.8)		47 (8.3)		57 (13.9)		67 (19.4)	
		Capacity MBtuh	Total System KwT	Capacity MBtuh	Total System KwT	Capacity MBtuh	Total System KwT	Capacity MBtuh	Total System KwT	Capacity MBtuh	Total System KwT	Capacity MBtuh	Total System KwT	Capacity MBtuh	Total System KwT
		Total	Integ*	Total	Integ*	Total	Integ*	Total	Integ*	Total	Integ*	Total	Integ*	Total	Integ*
25HCB24A30-LO Outdoor Section With FV4CNF002 Indoor Section															
65 (18.3)	440	5.87	5.39	8.53	7.77	11.25	9.99	14.17	12.90	17.51	17.51	21.31	21.31	25.59	25.59
	490	5.96	5.48	8.77	8.00	11.40	10.12	14.38	13.08	17.78	17.78	21.67	21.67	26.04	26.04
	560	6.06	5.57	8.91	8.12	11.56	10.27	14.60	13.29	18.09	18.09	22.06	22.06	26.50	26.50
	625	6.14	5.64	9.00	8.21	11.69	10.39	14.78	13.45	18.31	18.31	22.33	22.33	26.79	26.79
70 (21.1)	440	5.20	4.78	7.71	7.03	10.71	9.51	13.53	12.32	16.78	16.78	20.48	20.48	24.66	24.66
	490	5.31	4.88	7.85	7.16	10.84	9.62	13.73	12.49	17.03	17.03	20.81	20.81	25.07	25.07
	560	5.42	4.98	8.00	7.30	10.99	9.76	13.94	12.69	17.31	17.31	21.17	21.17	25.53	25.53
	625	5.48	5.04	8.13	7.41	11.12	9.87	14.10	12.83	17.53	17.53	21.44	21.44	25.82	25.82
75 (23.9)	440	4.46	4.10	6.95	6.33	10.08	8.95	12.92	11.76	16.08	16.08	19.68	19.68	23.78	23.78
	490	4.55	4.18	7.07	6.45	10.22	9.08	13.09	11.91	16.30	16.30	19.97	19.97	24.15	24.15
	560	4.65	4.27	7.23	6.59	10.39	9.23	13.28	12.09	16.56	16.56	20.32	20.32	24.57	24.57
	625	4.73	4.35	7.34	6.69	10.52	9.34	13.44	12.23	16.76	16.76	20.57	20.57	24.86	24.86

See notes on pg. 59

HEAT PUMP HEATING PERFORMANCE CONTINUED

25HCB24A30 Outdoor Section With FV4CNF002 Indoor Section

Heating Indoor Model	High Speed Cap.	Power	Low Speed Cap.	Furnace Model	Cooling Indoor Model	High Speed Cap.	Power	Low Speed Cap.	Furnace Model	Cooling Indoor Model	High Speed Cap.	Power	Low Speed Cap.	Furnace Model
*FV4CNF002	1.00	1.00	1.00		CAP**3017A**	0.99	1.03	1.02	58CV(A,X)110-20	CAP**3017A**	0.99	1.03	1.03	58MV(B,C)080-14
CAP**2414A**	1.02	1.11	1.02	1.12	CAP**3617A**	0.99	1.02	1.02	58CV(A,X)110-20	CAP**3617A**	0.99	1.02	0.98	58MV(B,C)080-14
CAP**3014A**	1.02	1.11	1.02	1.12	CAP**3621A**	0.99	1.01	1.02	58CV(A,X)110-20	CAP**3621A**	0.99	1.02	1.03	58MV(B,C)080-14
CAP**3017A**	1.02	1.11	1.02	1.11	CNP**2417A**	1.03	1.04	1.05	58CV(A,X)110-20	CNP**2417A**	1.02	1.04	1.06	58MV(B,C)080-14
CAP**3614A**	1.02	1.10	1.03	1.11	CNP**3017A**	1.02	1.05	1.04	58CV(A,X)110-20	CNP**3017A**	1.02	1.05	0.99	58MV(B,C)080-14
CAP**3617A**	1.02	1.10	1.03	1.11	CNP**2417A**	1.01	1.02	1.03	58CV(A,X)110-20	CNP**2417A**	1.02	1.05	0.99	58MV(B,C)080-14
CAP**3619A**	1.02	1.10	1.03	1.11	CNP**3017A**	0.99	1.02	1.02	58CV(A,X)110-20	CNP**3017A**	1.00	1.02	0.98	58MV(B,C)080-14
CNP**2414A**	1.02	1.10	1.03	1.11	CNP**3117A**	1.03	1.01	1.05	58CV(A,X)110-20	CNP**3117A**	1.01	0.99	1.03	58MV(B,C)080-14
CNP**2417A**	1.02	1.09	1.03	1.11	CNP**3617A**	1.02	1.05	1.04	58CV(A,X)110-20	CNP**3617A**	1.01	0.99	1.01	58MV(B,C)080-14
CNP**3014A**	1.02	1.09	1.03	1.11	CNP**3621A**	1.02	1.05	1.04	58CV(A,X)110-20	CNP**3621A**	1.02	1.05	1.05	58MV(B,C)080-14
CNP**3017A**	1.02	1.09	1.03	1.11	CNP**3717A**	1.03	0.99	1.05	58CV(A,X)110-20	CNP**3717A**	1.02	1.05	1.05	58MV(B,C)080-14
CNP**3614A**	1.02	1.11	1.02	1.11	CAP**3619A**	1.01	1.04	1.01	58HDV040-12	CNP**3717A**	1.03	0.99	1.01	58MV(B,C)080-14
CNP**3617A**	1.05	1.14	1.04	1.13	CAP**3619A**	1.02	1.04	1.02	58HDV060-12	CAP**2417A**	0.98	1.03	1.01	58MV(B,C)080-20
CNP**3117A**	1.03	1.08	1.03	1.09	CAP**2414A**	1.02	1.04	1.03	58MEB040-12	CAP**3017A**	0.98	1.03	1.01	58MV(B,C)080-20
CNP**3617A**	1.04	1.13	1.04	1.13	CAP**2417A**	1.02	1.03	1.03	58MEB040-12	CAP**3617A**	0.98	1.02	0.98	58MV(B,C)080-20
CNP**3621A**	1.04	1.13	1.04	1.13	CAP**3014A**	1.02	1.04	1.03	58MEB040-12	CAP**3621A**	0.98	1.02	0.97	58MV(B,C)080-20
CSPH**2412A**	1.06	1.13	1.05	1.13	CAP**3017A**	1.02	1.03	1.03	58MEB040-12	CNP**2417A**	1.02	1.05	1.03	58MV(B,C)080-20
CSPH**3012A**	1.04	1.13	1.04	1.13	CAP**3614A**	1.02	1.03	1.03	58MEB040-12	CNP**3017A**	1.01	1.05	1.00	58MV(B,C)080-20
CSPH**3612A**	1.05	1.11	1.05	1.12	CAP**3614A**	1.02	1.03	1.03	58MEB040-12	CNP**3617A**	1.01	1.05	1.00	58MV(B,C)080-20
CAP**2414A**	0.99	1.03	0.98	1.05	58CV(A,X)070-12	CSPH**2412A**	1.01	1.01	58MEB040-12	CNP**2417A**	1.00	1.02	0.99	58MV(B,C)080-20
CAP**2417A**	0.99	1.03	0.98	1.04	58CV(A,X)070-12	CSPH**3012A**	1.00	1.01	58MEB040-12	CNP**3017A**	0.98	1.03	0.99	58MV(B,C)080-20
CAP**3014A**	0.99	1.04	0.98	1.04	58CV(A,X)070-12	CSPH**3612A**	1.01	0.99	58MEB040-12	CNP**3617A**	0.98	1.02	0.97	58MV(B,C)080-20
CAP**3017A**	0.99	1.04	0.98	1.04	58CV(A,X)070-12	CAP**2414A**	1.02	1.04	58MEB060-12	CNP**2417A**	1.01	1.05	1.00	58MV(B,C)080-20
CNP**2414A**	0.99	1.02	0.98	1.03	58CV(A,X)070-12	CAP**2417A**	1.02	1.04	58MEB060-12	CNP**3017A**	1.01	1.05	1.00	58MV(B,C)080-20
CNP**2417A**	0.99	1.02	0.98	1.03	58CV(A,X)070-12	CAP**3014A**	1.02	1.04	58MEB060-12	CNP**3617A**	1.01	1.05	1.00	58MV(B,C)080-20
CNP**3014A**	0.99	1.02	0.98	1.03	58CV(A,X)070-12	CAP**3017A**	1.02	1.03	58MEB060-12	CNP**2417A**	1.00	1.02	0.99	58MV(B,C)080-20
CNP**3017A**	0.99	1.02	0.98	1.03	58CV(A,X)070-12	CAP**3614A**	1.03	1.04	58MEB060-12	CNP**3017A**	0.99	1.03	0.99	58MV(B,C)080-20
CNP**3614A**	0.99	1.02	0.98	1.03	58CV(A,X)070-12	CAP**3614A**	1.03	1.04	58MEB060-12	CAP**2417A**	0.99	1.03	1.02	58MV(B,C)100-20
CNP**3617A**	0.99	1.02	0.98	1.03	58CV(A,X)070-12	CNP**2417A**	1.02	1.03	58MEB060-12	CAP**3617A**	0.99	1.02	0.96	58MV(B,C)100-20
CNP**3117A**	1.03	1.02	1.01	1.03	58CV(A,X)070-12	CNP**3014A**	1.02	1.03	58MEB060-12	CNP**2417A**	1.02	1.05	1.03	58MV(B,C)100-20
CNP**3617A**	1.02	1.05	1.00	1.05	58CV(A,X)070-12	CNP**3614A**	1.03	1.04	58MEB060-12	CNP**3017A**	1.00	1.01	0.98	58MV(B,C)100-20
CNP**3621A**	1.02	1.05	1.00	1.05	58CV(A,X)070-12	CNP**3614A**	1.03	1.04	58MEB060-12	CNP**3617A**	0.99	1.02	0.96	58MV(B,C)100-20
CNP**2417A**	1.00	1.02	0.98	1.04	58CV(A,X)070-12	CNP**3617A**	1.01	1.01	58MEB060-12	CNP**2417A**	1.02	1.03	1.04	58MV(B,C)100-20
CNP**3014A**	0.99	1.03	0.98	1.04	58CV(A,X)070-12	CNP**3621A**	1.02	1.01	58MEB060-12	CNP**3017A**	1.02	1.03	0.99	58MV(B,C)100-20
CNP**3017A**	0.99	1.03	0.98	1.04	58CV(A,X)070-12	CNP**2414A**	1.02	1.04	58MEB060-12	CNP**3617A**	1.02	1.05	1.03	58MV(B,C)100-20
CNP**3614A**	0.99	1.03	0.98	1.03	58CV(A,X)070-12	CNP**2417A**	1.02	1.04	58MEB060-12	CNP**2417A**	1.02	1.05	1.03	58MV(B,C)100-20
CNP**3617A**	0.99	1.03	0.98	1.03	58CV(A,X)070-12	CNP**3014A**	1.02	1.04	58MEB060-12	CNP**3017A**	1.02	1.05	1.03	58MV(B,C)100-20
CNP**3117A**	1.03	1.02	1.01	1.03	58CV(A,X)070-12	CNP**3614A**	1.02	1.04	58MEB060-12	CNP**3617A**	1.02	1.05	1.03	58MV(B,C)100-20
CNP**3617A**	1.02	1.05	1.00	1.05	58CV(A,X)070-12	CNP**3614A**	1.02	1.04	58MEB060-12	CNP**2417A**	1.03	0.99	1.05	58MV(B,C)100-20
CNP**3621A**	1.02	1.05	1.00	1.05	58CV(A,X)070-12	CNP**3617A**	1.02	1.04	58MEB060-12	CNP**2417A**	1.02	1.06	1.02	58MV(B,C)100-20
CNP**2417A**	1.00	1.02	0.98	1.04	58CV(A,X)070-12	CNP**2417A**	1.01	1.01	58MEB060-12	CAP**2417A**	1.02	1.05	1.02	58PH*045-08
CNP**3014A**	0.99	1.02	0.98	1.04	58CV(A,X)070-12	CNP**3014A**	1.01	0.99	58MEB060-12	CAP**3014A**	1.02	1.06	1.02	58PH*045-08
CNP**3017A**	0.99	1.02	0.98	1.04	58CV(A,X)070-12	CNP**3614A**	1.02	1.03	58MEB060-12	CAP**3017A**	1.02	1.06	1.02	58PH*045-08
CNP**3614A**	0.99	1.02	0.98	1.04	58CV(A,X)070-12	CNP**3614A**	1.02	1.03	58MEB060-12	CAP**3614A**	1.02	1.05	1.02	58PH*045-08
CNP**3617A**	0.99	1.02	0.98	1.04	58CV(A,X)070-12	CNP**3617A**	1.02	1.03	58MEB060-12	CAP**3617A**	1.02	1.05	1.02	58PH*045-08
CNP**3117A**	1.03	1.02	1.01	1.03	58CV(A,X)070-12	CNP**2417A**	1.00	1.01	58MEB060-12	CAP**3617A**	1.03	1.05	1.03	58PH*045-08
CNP**3617A**	1.02	1.05	1.00	1.05	58CV(A,X)070-12	CNP**3014A**	1.00	1.01	58MEB060-12	CAP**3617A**	1.03	1.05	1.03	58PH*045-08
CNP**3621A**	1.02	1.05	1.00	1.05	58CV(A,X)070-12	CNP**3614A**	1.01	1.01	58MEB060-12	CAP**3617A**	1.03	1.05	1.03	58PH*045-08
CNP**2417A**	1.00	1.02	0.98	1.04	58CV(A,X)070-12	CNP**3614A**	1.01	1.01	58MEB060-12	CSPH**2412A**	1.01	1.03	1.00	58PH*045-08
CNP**3014A**	0.99	1.02	0.98	1.04	58CV(A,X)070-12	CNP**3617A**	1.01	1.01	58MEB060-12	CSPH**3612A**	1.02	1.01	0.99	58PH*045-08
CNP**3017A**	0.99	1.02	0.98	1.04	58CV(A,X)070-12	CNP**2417A**	1.00	1.01	58MEB060-12	CAP**2414A**	1.00	1.02	1.00	58VLR105-12
CNP**3614A**	0.99	1.02	0.98	1.04	58CV(A,X)070-12	CNP**3014A**	1.01	1.01	58MEB060-12	CAP**2417A**	1.00	1.02	1.00	58VLR105-12
CNP**3617A**	0.99	1.02	0.98	1.04	58CV(A,X)070-12	CNP**3614A**	1.01	1.01	58MEB060-12	CAP**3014A**	1.00	1.03	1.00	58VLR105-12
CNP**3117A**	1.03	1.02	1.01	1.03	58CV(A,X)070-12	CNP**3617A**	1.01	1.01	58MEB060-12	CAP**3017A**	1.00	1.02	1.00	58VLR105-12
CNP**3617A**	1.02	1.04	1.00	1.04	58CV(A,X)070-12	CNP**2417A**	1.00	1.02	58MEB060-12	CAP**3617A**	1.00	1.02	1.01	58VLR105-12
CNP**3621A**	1.02	1.04	1.00	1.04	58CV(A,X)070-12	CNP**3014A**	1.01	0.98	58MEB060-12	CAP**3617A**	1.00	1.02	1.01	58VLR105-12
CNP**2417A**	1.00	1.02	0.98	1.04	58CV(A,X)070-12	CNP**3614A**	1.01	0.98	58MEB060-12	CAP**3617A**	1.00	1.02	1.01	58VLR105-12
CNP**3014A**	0.99	1.02	0.98	1.04	58CV(A,X)070-12	CNP**3617A**	1.01	0.98	58MEB060-12	CAP**3617A**	1.00	1.02	1.01	58VLR105-12
CNP**3017A**	0.99	1.02	0.98	1.04	58CV(A,X)070-12	CNP**2417A**	1.00	1.02	58MEB060-12	CAP**3617A**	1.00	1.02	1.01	58VLR105-12
CNP**3614A**	0.99	1.02	0.98	1.04	58CV(A,X)070-12	CNP**3014A**	1.01	0.98	58MEB060-12	CAP**3617A**	1.00	1.02	1.01	58VLR105-12
CNP**3617A**	0.99	1.02	0.98	1.04	58CV(A,X)070-12	CNP**3614A**	1.01	0.98	58MEB060-12	CAP**3617A**	1.00	1.02	1.01	58VLR105-12
CNP**3117A**	1.03	1.02	1.01	1.03	58CV(A,X)070-12	CNP**3617A**	1.01	0.98	58MEB060-12	CAP**3617A**	1.00	1.02	1.01	58VLR105-12
CNP**3617A**	1.02	1.04	1.00	1.04	58CV(A,X)070-12	CNP**2417A**	1.00	1.02	58MEB060-12	CAP**3617A**	1.00	1.02	1.01	58VLR105-12
CNP**3621A**	1.02	1.04	1.00	1.04	58CV(A,X)070-12	CNP**3014A**	1.01	0.98	58MEB060-12	CAP**3617A**	1.00	1.02	1.01	58VLR105-12
CNP**2417A**	1.00	1.02	0.98	1.04	58CV(A,X)070-12	CNP**3614A**	1.01	0.98	58MEB060-12	CAP**3617A**	1.00	1.02	1.01	58VLR105-12
CNP**3014A**	0.99	1.02	0.98	1.04	58CV(A,X)070-12	CNP**3617A**	1.01	0.98	58MEB060-12	CAP**3617A**	1.00	1.02	1.01	58VLR105-12
CNP**3017A**	0.99	1.02	0.98	1.04	58CV(A,X)070-12	CNP**2417A**	1.00	1.02	58MEB060-12	CAP**3617A**	1.00	1.02	1.01	58VLR105-12
CNP**3614A**	0.99	1.02	0.98	1.04	58CV(A,X)070-12	CNP**3014A**	1.01	0.98	58MEB060-12	CAP**3617A**	1.00	1.02	1.01	58VLR105-12
CNP**3617A**	0.99	1.02	0.98	1.04	58CV(A,X)070-12	CNP**3614A**	1.01	0.98	58MEB060-12	CAP**3617A**	1.00	1.02	1.01	58VLR105-12
CNP**3117A**	1.03	1.02	1.01	1.03	58CV(A,X)070-12	CNP**3617A**	1.01	0.98	58MEB060-12	CAP**3617A**	1.00	1.02	1.01	58VLR105-12
CNP**3617A**	1.02	1.04	1.00	1.04	58CV(A,X)070-12	CNP**2417A**	1.00	1.02</						

HEAT PUMP HEATING PERFORMANCE CONTINUED

INDOOR AIR		OUTDOOR COIL ENTERING AIR TEMPERATURES ° F (° C)																							
EDB ° F (° C)	CFM	-3 (-19.4)		7 (-13.9)		17 (-8.3)		27 (-2.8)		37 (2.8)		47 (8.3)		57 (13.9)		67 (19.4)									
		Capacity MBtuh	Total Sys. KWt	Capacity MBtuh	Total Sys. KWt	Capacity MBtuh	Total Sys. KWt	Capacity MBtuh	Total Sys. KWt	Capacity MBtuh	Total Sys. KWt	Capacity MBtuh	Total Sys. KWt	Capacity MBtuh	Total Sys. KWt	Capacity MBtuh	Total Sys. KWt								
65 (18.3)	900	11.38	10.47	15.68	14.41	2.03	20.39	18.59	2.38	30.93	28.14	2.57	36.58	36.58	2.79	42.90	42.90	3.06	49.91	49.91	3.39				
	1050	11.65	10.71	1.89	16.02	2.02	20.84	19.00	2.16	26.33	23.39	2.33	31.50	28.66	2.50	37.31	37.31	2.70	43.83	43.83	2.95	51.08	51.08	3.25	
	1200	11.72	10.78	1.89	16.12	2.02	20.98	19.12	2.15	26.44	23.48	2.32	31.66	28.81	2.49	37.52	37.52	2.68	44.09	44.09	2.92	51.40	51.40	3.22	
70 (21.1)	900	11.88	10.93	1.90	16.30	2.02	21.23	19.36	2.15	26.67	23.69	2.30	31.94	29.07	2.46	37.89	37.89	2.65	44.56	44.56	2.88	51.97	51.97	3.16	
	1050	10.72	9.86	1.98	14.98	13.76	2.13	19.64	17.91	2.28	25.35	22.52	2.49	30.31	27.59	2.68	35.89	35.89	2.91	42.10	42.10	3.19	49.03	49.03	3.53
	1200	10.97	10.10	1.98	15.33	14.08	2.12	20.10	18.32	2.26	25.80	22.91	2.44	30.87	28.09	2.61	36.60	36.60	2.82	43.02	43.02	3.07	50.18	50.18	3.39
75 (23.9)	900	11.06	10.17	1.98	15.43	14.18	2.11	20.23	18.44	2.25	25.93	23.03	2.43	31.04	28.24	2.60	36.80	36.80	2.80	43.28	43.28	3.05	50.49	50.49	3.35
	1050	11.20	10.30	1.99	15.61	14.34	2.11	20.46	18.66	2.24	26.13	23.20	2.41	31.31	28.50	2.57	37.16	37.16	2.76	43.73	43.73	3.00	51.06	51.06	3.29
	1200	10.00	9.20	2.07	14.24	13.09	2.22	18.86	17.20	2.38	24.27	21.56	2.57	29.71	27.04	2.80	35.19	35.19	3.04	41.32	41.32	3.33	48.17	48.17	3.68
75 (23.9)	900	10.25	9.43	2.07	14.59	13.41	2.21	19.31	17.61	2.36	25.21	22.39	2.55	30.25	27.53	2.73	35.90	35.90	2.95	42.21	42.21	3.20	49.28	49.28	3.53
	1050	10.36	9.53	2.07	14.69	13.50	2.21	19.44	17.73	2.35	25.35	22.51	2.54	30.41	27.67	2.72	36.08	36.08	2.92	42.46	42.46	3.17	49.59	49.59	3.49
	1200	10.48	9.64	2.08	14.88	13.67	2.21	19.68	17.94	2.34	25.58	22.72	2.52	30.68	27.92	2.69	36.45	36.45	2.89	42.91	42.91	3.13	50.15	50.15	3.43

INDOOR AIR		OUTDOOR COIL ENTERING AIR TEMPERATURES ° F (° C)																				
EDB ° F (° C)	CFM	7 (-13.9)		17 (-8.3)		27 (-2.8)		37 (2.8)		47 (8.3)		57 (13.9)		67 (19.4)								
		Capacity MBtuh	Total Sys. KWt	Capacity MBtuh	Total Sys. KWt	Capacity MBtuh	Total Sys. KWt	Capacity MBtuh	Total Sys. KWt	Capacity MBtuh	Total Sys. KWt	Capacity MBtuh	Total Sys. KWt	Capacity MBtuh	Total Sys. KWt							
65 (18.3)	660	7.38	6.78	1.56	10.86	9.90	1.62	14.67	13.03	1.69	18.77	17.09	1.76	23.74	23.74	1.88	28.03	28.03	1.97	32.66	32.66	2.07
	735	7.52	6.92	1.55	11.08	10.10	1.61	14.97	13.30	1.67	19.19	17.46	1.73	24.17	24.17	1.83	28.55	28.55	1.91	33.36	33.36	2.01
	840	7.69	7.07	1.55	11.34	10.34	1.60	15.32	13.61	1.64	19.67	17.90	1.70	24.62	24.62	1.79	29.15	29.15	1.86	34.15	34.15	1.94
70 (21.1)	660	6.71	6.17	1.55	11.52	10.50	1.59	15.54	13.80	1.63	20.01	18.21	1.68	24.94	24.94	1.76	29.60	29.60	1.82	34.72	34.72	1.90
	735	6.86	6.30	1.63	10.38	9.47	1.69	14.24	12.65	1.74	18.00	16.38	1.84	22.62	22.62	1.93	27.35	27.35	2.05	31.91	31.91	2.17
	840	7.03	6.46	1.63	10.64	9.70	1.67	14.56	12.93	1.72	18.86	17.16	1.78	24.00	24.00	1.87	28.45	28.45	1.94	33.34	33.34	2.03
75 (23.9)	660	7.15	6.57	1.62	10.81	9.85	1.67	14.82	13.17	1.71	19.19	17.46	1.76	24.33	24.33	1.84	28.88	28.88	1.90	33.89	33.89	1.98
	735	6.14	5.64	1.71	9.43	8.60	1.78	13.15	11.68	1.84	17.20	15.66	1.92	21.61	21.61	2.01	26.68	26.68	2.15	31.15	31.15	2.26
	840	6.31	5.79	1.71	9.89	9.02	1.75	13.79	12.25	1.80	18.02	16.40	1.86	22.94	22.94	1.93	27.74	27.74	2.03	32.55	32.55	2.12
930	6.44	5.91	1.70	10.07	9.18	1.75	14.05	12.48	1.79	18.34	16.69	1.84	23.66	23.66	1.93	28.15	28.15	1.99	33.06	33.06	2.07	

See notes on pg. 59

HEAT PUMP HEATING PERFORMANCE CONTINUED

25HCB36A30 Outdoor Section With FV4CNF003 Indoor Section

Heating Indoor Model	High Speed Cap.	Power	Low Speed Cap.	Furnace Model	Cooling Indoor Model	High Speed Cap.	Power	Low Speed Cap.	Furnace Model	Cooling Indoor Model	High Speed Cap.	Power	Low Speed Cap.	Furnace Model
CAP**3621A**	1.01	1.01	1.04	58MEB080-16	CSPH*4812A**	1.02	1.00	0.98	58MV(B,C)080-14	CAP**4221A**	1.01	1.03	1.03	58MV(B)040-14
CAP**4221A**	1.02	1.01	1.03	58MEB080-16	CAP**3617A**	1.01	1.03	0.95	58MV(B,C)080-20	CAP**4821A**	1.02	1.02	0.99	58MV(B)040-14
CAP**4817A**	1.03	0.98	1.05	58MEB080-16	CAP**3621A**	1.01	1.03	0.95	58MV(B,C)080-20	CAP**4824A**	1.02	1.01	0.99	58MV(B)040-14
CAP**4824A**	1.02	0.98	1.04	58MEB080-16	CAP**4221A**	1.01	1.02	0.96	58MV(B,C)080-20	CNPV*3617A**	1.01	1.05	0.97	58MV(B)040-14
CNPV*3617A**	1.02	1.01	1.04	58MEB080-16	CAP**4224A**	1.01	1.02	0.98	58MV(B,C)080-20	CNPV*3621A**	1.01	1.05	0.97	58MV(B)040-14
CNPV*4221A**	1.04	0.98	1.05	58MEB080-16	CAP**4817A**	1.03	1.00	0.98	58MV(B,C)080-20	CNPV*4221A**	1.01	1.03	0.98	58MV(B)040-14
CNPV*4817A**	1.04	0.98	1.05	58MEB080-16	CAP**4821A**	1.02	1.01	0.96	58MV(B,C)080-20	CNPV*4321A**	1.02	0.99	0.99	58MV(B)040-14
CNPV*4824A**	1.01	1.02	1.03	58MEB080-16	CAP**4824A**	1.02	1.00	0.98	58MV(B,C)080-20	CNPV*4821A**	1.02	1.00	0.98	58MV(B)040-14
CNPV*3621A**	1.01	1.02	1.03	58MEB080-16	CNPV*3617A**	1.01	1.04	0.94	58MV(B,C)080-20	CNPV*4824A**	1.02	1.00	0.98	58MV(B)040-14
CNPV*3717A**	1.03	0.97	1.05	58MEB080-16	CNPV*3621A**	1.00	1.03	0.94	58MV(B,C)080-20	CSPH*4212A**	1.02	1.02	1.00	58MV(B)040-14
CNPV*4217A**	1.02	1.00	1.04	58MEB080-16	CNPV*3717A**	1.02	0.98	0.98	58MV(B,C)080-20	CSPH*4812A**	1.02	1.01	0.98	58MV(B)040-14
CNPV*4221A**	1.02	1.01	1.04	58MEB080-16	CNPV*4217A**	1.01	0.97	1.02	58MV(B,C)080-20	CSPH*4812A**	1.02	1.00	0.98	58MV(B)040-14
CNPV*4817A**	1.05	0.97	1.05	58MEB080-16	CNPV*4221A**	1.01	1.02	0.95	58MV(B,C)080-20	CAP**3614A**	1.02	1.07	0.99	58PH*045-08
CNPV*4821A**	1.04	0.98	1.05	58MEB080-16	CNPV*4321A**	1.02	0.98	0.98	58MV(B,C)080-20	CAP**3617A**	1.02	1.06	1.02	58PH*045-08
CNPV*4824A**	1.02	1.00	1.04	58MEB080-16	CNPV*4821A**	1.02	1.00	0.97	58MV(B,C)080-20	CAP**4817A**	1.04	1.02	1.01	58PH*045-08
CNPV*3617A**	1.00	1.01	1.09	58MEB100-20	CNPV*4824A**	1.02	1.00	0.97	58MV(B,C)080-20	CNPV*3617A**	1.02	1.07	1.02	58PH*045-08
CNPV*3621A**	1.00	1.00	1.09	58MEB100-20	CSPH*3612A**	1.01	1.00	0.97	58MV(B,C)080-20	CNPV*4221A**	1.03	1.05	1.00	58PH*045-08
CNPV*4217A**	1.01	1.00	1.09	58MEB100-20	CSPH*4212A**	1.02	1.00	0.97	58MV(B,C)080-20	CNPV*4821A**	1.04	1.03	1.01	58PH*045-08
CNPV*4221A**	1.02	1.04	1.09	58MEB100-20	CSPH*4812A**	1.02	0.99	1.02	58MV(B,C)080-20	CNPV*3617A**	1.02	1.07	1.00	58PH*045-08
CNPV*4817A**	1.01	1.03	0.99	58MEB100-20	CAP**3617A**	1.01	1.03	0.98	58MV(B,C)100-20	CNPV*3617A**	1.04	1.01	0.99	58PH*045-08
CNPV*4821A**	1.01	1.02	1.03	58MEB100-20	CAP**4221A**	1.01	1.02	0.98	58MV(B,C)100-20	CNPV*4217A**	1.03	1.04	1.00	58PH*045-08
CNPV*4824A**	1.02	1.01	1.03	58MEB100-20	CAP**4224A**	1.01	1.01	0.98	58MV(B,C)100-20	CSPH*3612A**	1.03	1.04	1.01	58PH*045-08
CNPV*3617A**	1.03	0.99	1.01	58MEB100-20	CAP**4817A**	1.01	1.01	0.98	58MV(B,C)100-20	CSPH*4212A**	1.03	1.03	1.00	58PH*045-08
CNPV*3621A**	1.03	1.00	1.00	58MEB100-20	CAP**4821A**	1.02	1.00	0.99	58MV(B,C)100-20	CAP**3614A**	1.01	1.05	1.02	58PH*070-16
CNPV*4217A**	1.01	1.03	0.98	58MEB100-20	CAP**4824A**	1.02	0.99	1.01	58MV(B,C)100-20	CAP**3617A**	1.01	1.04	1.02	58PH*070-16
CNPV*4221A**	1.01	1.03	0.98	58MEB100-20	CNPV*4217A**	1.03	1.00	0.98	58MV(B,C)100-20	CAP**3621A**	1.01	1.03	1.03	58PH*070-16
CNPV*4817A**	1.01	1.03	0.98	58MEB100-20	CNPV*4221A**	1.01	1.01	0.98	58MV(B,C)100-20	CAP**4817A**	1.03	1.00	0.99	58PH*070-16
CNPV*4821A**	1.01	1.03	0.98	58MEB100-20	CSPH*4812A**	1.02	0.99	0.98	58MV(B,C)100-20	CAP**4821A**	1.03	1.00	0.99	58PH*070-16
CNPV*4824A**	1.02	1.00	0.98	58MEB100-20	CSPH*4812A**	1.02	0.99	0.98	58MV(B,C)100-20	CAP**4824A**	1.02	1.00	0.99	58PH*070-16
CNPV*3617A**	1.01	1.03	0.98	58MEB100-20	CAP**3621A**	1.01	1.02	0.98	58MV(B,C)120-20	CNPV*4321A**	1.03	1.00	1.04	58PH*070-16
CNPV*3621A**	1.03	0.98	1.02	58MEB100-20	CAP**4221A**	1.01	1.01	0.98	58MV(B,C)120-20	CNPV*4821A**	1.03	1.00	0.99	58PH*070-16
CNPV*4217A**	1.02	1.01	0.99	58MEB100-20	CAP**4224A**	1.01	1.01	0.98	58MV(B,C)120-20	CSPH*3612A**	1.02	1.02	1.04	58PH*070-16
CNPV*4221A**	1.02	1.01	0.99	58MEB100-20	CAP**4817A**	1.02	0.99	0.99	58MV(B,C)120-20	CSPH*4212A**	1.03	1.01	1.04	58PH*070-16
CNPV*4817A**	1.03	0.98	1.02	58MEB100-20	CAP**4821A**	1.02	0.99	1.01	58MV(B,C)120-20	CAP**3617A**	1.01	1.01	1.00	58PH*090-16
CNPV*4821A**	1.02	1.00	0.98	58MEB100-20	CNPV*4217A**	1.02	0.99	1.01	58MV(B,C)120-20	CAP**3621A**	1.01	1.00	1.00	58PH*090-16
CNPV*4824A**	1.02	1.00	0.98	58MEB100-20	CNPV*4221A**	1.01	0.98	0.98	58MV(B,C)120-20	CAP**4224A**	1.01	1.00	1.03	58PH*090-16
CNPV*3617A**	1.01	1.04	0.97	58MEB100-20	CSPH*4812A**	1.02	0.99	1.01	58MV(B,C)120-20	CNPV*4221A**	1.01	1.00	1.03	58PH*090-16
CNPV*3621A**	1.01	1.04	0.97	58MEB100-20	CSPH*4812A**	1.02	0.99	1.01	58MV(B,C)120-20	CNPV*4321A**	1.01	1.00	1.03	58PH*090-16
CNPV*4217A**	1.03	0.99	0.98	58MEB100-20	CAP**3621A**	1.00	1.03	0.98	58MV(B,C)120-20	CNPV*4821A**	1.03	1.00	0.99	58PH*090-16
CNPV*4221A**	1.02	1.01	0.98	58MEB100-20	CNPV*4217A**	1.01	1.01	0.98	58MV(B,C)120-20	CAP**4817A**	1.02	0.97	1.04	58PH*090-16
CNPV*4817A**	1.02	1.01	0.98	58MEB100-20	CNPV*4221A**	1.01	0.98	0.98	58MV(B,C)120-20	CAP**4821A**	1.02	0.98	1.04	58PH*090-16
CNPV*4821A**	1.03	0.99	1.02	58MEB100-20	CAP**4224A**	1.01	1.01	0.98	58MV(B,C)120-20	CAP**4824A**	1.02	0.98	1.04	58PH*090-16
CNPV*4824A**	1.02	1.00	0.98	58MEB100-20	CAP**4817A**	1.02	0.99	0.99	58MV(B,C)120-20	CNPV*3617A**	1.00	1.02	1.01	58PH*090-16
CNPV*3617A**	1.01	1.00	0.98	58MEB100-20	CNPV*4817A**	1.01	1.00	0.98	58MV(B,C)120-20	CNPV*4221A**	1.01	1.00	1.03	58PH*090-16
CNPV*3621A**	1.02	1.01	0.98	58MEB100-20	CNPV*4821A**	1.01	0.99	0.98	58MV(B,C)120-20	CNPV*4821A**	1.02	0.98	1.04	58PH*090-16
CNPV*4217A**	1.02	1.01	0.98	58MEB100-20	CSPH*4212A**	1.02	0.98	0.98	58MV(B,C)120-20	CNPV*4824A**	1.02	0.98	1.04	58PH*090-16
CNPV*4221A**	1.02	1.01	0.98	58MEB100-20	CSPH*4212A**	1.02	0.98	0.98	58MV(B,C)120-20	CNPV*4824A**	1.02	0.98	1.04	58PH*090-16
CNPV*4817A**	1.03	0.99	1.02	58MEB100-20	CAP**3621A**	1.01	1.03	0.98	58MV(B,C)120-20	CSPH*4812A**	1.00	1.02	1.02	58PH*090-16
CNPV*4821A**	1.02	1.00	0.98	58MEB100-20	CNPV*4217A**	1.01	1.01	0.98	58MV(B,C)120-20	CNPV*3617A**	1.00	1.02	1.01	58PH*090-16
CNPV*4824A**	1.02	1.00	0.98	58MEB100-20	CNPV*4221A**	1.01	0.99	0.98	58MV(B,C)120-20	CNPV*4821A**	1.00	1.02	1.01	58PH*090-16
CNPV*3617A**	1.01	1.04	0.97	58MEB100-20	CSPH*4812A**	1.02	0.99	1.01	58MV(B,C)120-20	CNPV*4824A**	1.02	0.98	1.04	58PH*090-16
CNPV*3621A**	1.01	1.04	0.97	58MEB100-20	CSPH*4812A**	1.02	0.99	1.01	58MV(B,C)120-20	CNPV*4824A**	1.02	0.98	1.04	58PH*090-16
CNPV*4217A**	1.03	0.99	0.98	58MEB100-20	CAP**4221A**	1.00	1.03	0.98	58MV(B,C)120-20	CNPV*4824A**	1.02	0.98	1.04	58PH*090-16
CNPV*4221A**	1.02	1.01	0.98	58MEB100-20	CNPV*4217A**	1.01	1.01	0.98	58MV(B,C)120-20	CNPV*4824A**	1.02	0.98	1.04	58PH*090-16
CNPV*4817A**	1.02	1.01	0.98	58MEB100-20	CNPV*4221A**	1.01	0.98	0.98	58MV(B,C)120-20	CSPH*4212A**	1.00	1.02	1.01	58PH*090-16
CNPV*4821A**	1.03	0.99	1.02	58MEB100-20	CAP**4817A**	1.02	0.99	1.01	58MV(B,C)120-20	CNPV*4821A**	1.00	1.02	1.01	58PH*090-16
CNPV*4824A**	1.02	1.00	0.98	58MEB100-20	CNPV*4817A**	1.01	0.99	0.98	58MV(B,C)120-20	CNPV*4821A**	1.00	1.02	1.01	58PH*090-16
CNPV*3617A**	1.01	1.03	0.98	58MEB100-20	CNPV*4821A**	1.01	0.99	0.98	58MV(B,C)120-20	CNPV*4821A**	1.00	1.02	1.01	58PH*090-16
CNPV*3621A**	1.03	0.98	1.02	58MEB100-20	CSPH*4212A**	1.02	0.98	0.98	58MV(B,C)120-20	CNPV*4821A**	1.00	1.02	1.01	58PH*090-16
CNPV*4217A**	1.02	1.01	0.98	58MEB100-20	CSPH*4212A**	1.02	0.98	0.98	58MV(B,C)120-20	CNPV*4821A**	1.00	1.02	1.01	58PH*090-16
CNPV*4221A**	1.02	1.01	0.98	58MEB100-20	CAP**3621A**	1.01	1.03	0.98	58MV(B,C)120-20	CNPV*4821A**	1.00	1.02	1.01	58PH*090-16
CNPV*4817A**	1.03	0.99	1.02	58MEB100-20	CNPV*4217A**	1.01	1.01	0.98	58MV(B,C)120-20	CNPV*4821A**	1.00	1.02	1.01	58PH*090-16
CNPV*4821A**	1.02	1.00	0.98	58MEB100-20	CNPV*4221A**	1.01	0.98	0.98	58MV(B,C)120-20	CNPV*4821A**	1.00	1.02	1.01	58PH*090-16
CNPV*4824A**	1.02	1.00	0.98	58MEB100-20	CSPH*4812A**	1.02	0.99	1.01	58MV(B,C)120-20	CNPV*4821A**	1.00	1.02	1.01	58PH*090-16
CNPV*3617A**	1.01	1.03	0.98	58MEB100-20	CSPH*4812A**	1.02	0.99	1.01	58MV(B,C)120-20	CNPV*4821A**	1.00	1.02	1.01	58PH*090-16
CNPV*3621A**	1.03	0.98	1.02	58MEB100-20	CAP**4221A**	1.00	1.03	0.98	58MV(B,C)120-20	CNPV*4821A**	1.00	1.02	1.01	58PH*090-16
CNPV*4217A**	1.02	1.01	0.98	58MEB100-20	CNPV*4217A**	1.01	1.01	0.98	58MV(B,C)120-20	CNPV*4821A**	1.00	1.02	1.01	58PH*090-16
CNPV*4221A**	1.02	1.01	0.98	58MEB100-20	CNPV*4221A**	1.01	0.98	0.98	58MV(B,C)120-20	CNPV*4821A**	1.00	1.02	1.01	58PH*090-16
CNPV*4817A**	1.03	0.99	1.02	58MEB100-20	CAP**4817A**	1.02	0.99	1.01	58MV(B,C)120-20	CNPV*4821A**	1.00	1.02	1.01	58PH*090-16
CNPV*4821A**	1.02	1.00	0.98	58MEB100										

HEAT PUMP HEATING PERFORMANCE CONTINUED

INDOOR AIR		OUTDOOR COIL ENTERING AIR TEMPERATURES ° F (° C)																							
EDB ° F (° C)	CFM	-3 (-19.4)			7 (-13.9)			17 (-8.3)			27 (-2.8)			37 (2.8)			47 (8.3)			57 (13.9)			67 (19.4)		
		Capacity MBtuh	Total Sys. KWt	Total Sys. KWt	Capacity MBtuh	Total Sys. KWt	Total Sys. KWt	Capacity MBtuh	Total Sys. KWt	Total Sys. KWt	Capacity MBtuh	Total Sys. KWt	Total Sys. KWt	Capacity MBtuh	Total Sys. KWt	Total Sys. KWt	Capacity MBtuh	Total Sys. KWt	Total Sys. KWt	Capacity MBtuh	Total Sys. KWt	Total Sys. KWt	Capacity MBtuh	Total Sys. KWt	Total Sys. KWt
65 (18.3)	1200	16.58	15.25	2.68	21.92	20.14	2.85	28.56	26.04	3.06	34.31	30.47	3.26	40.74	37.08	3.48	47.96	47.96	3.74	56.03	56.03	3.95	65.46	65.46	4.45
	1400	16.93	15.57	2.69	22.35	20.54	2.85	28.99	26.43	3.04	34.81	30.91	3.22	41.41	37.69	3.42	48.82	48.82	3.66	57.15	57.15	3.95	67.00	67.00	4.33
	1470	17.04	15.67	2.70	22.48	20.66	2.85	29.11	26.55	3.04	34.96	31.05	3.21	41.61	37.87	3.41	49.07	49.07	3.64	57.48	57.48	3.93	67.43	67.43	4.30
	1600	17.22	15.85	2.71	22.70	20.86	2.86	29.32	26.73	3.04	35.22	31.28	3.20	41.94	38.16	3.39	49.49	49.49	3.62	58.01	58.01	3.89	68.14	68.14	4.26
70 (21.1)	1200	15.85	14.59	2.80	21.21	19.49	2.98	27.18	24.76	3.16	33.75	29.98	3.40	40.05	36.45	3.62	47.15	47.15	3.89	55.09	55.09	4.20	64.24	64.24	4.61
	1400	16.22	14.92	2.81	21.65	19.89	2.97	27.97	25.51	3.15	34.26	30.43	3.36	40.72	37.06	3.56	48.00	48.00	3.80	56.18	56.18	4.10	65.77	65.77	4.48
	1470	16.35	15.04	2.82	21.78	20.02	2.97	28.59	26.07	3.16	34.42	30.57	3.35	40.92	37.24	3.55	48.25	48.25	3.78	56.48	56.48	4.07	66.20	66.20	4.45
	1600	16.54	15.22	2.83	21.99	20.21	2.98	28.82	26.28	3.16	34.68	30.80	3.34	41.26	37.55	3.53	48.67	48.67	3.76	57.01	57.01	4.04	66.90	66.90	4.40
75 (23.9)	1200	15.08	13.88	2.91	20.43	18.77	3.10	26.30	23.98	3.29	33.18	29.47	3.54	39.37	35.82	3.77	46.32	46.32	4.04	54.15	54.15	4.36	63.03	63.03	4.77
	1400	15.45	14.22	2.93	20.89	19.20	3.10	26.88	24.51	3.27	33.67	29.90	3.50	40.02	36.42	3.70	47.18	47.18	3.95	55.23	55.23	4.25	64.53	64.53	4.64
	1470	15.57	14.32	2.93	21.03	19.32	3.10	27.06	24.67	3.27	33.84	30.06	3.49	40.22	36.60	3.69	47.43	47.43	3.93	55.53	55.53	4.22	64.96	64.96	4.60
	1600	15.77	14.50	2.95	21.26	19.54	3.11	27.37	24.95	3.27	34.11	30.29	3.48	40.56	36.91	3.67	47.85	47.85	3.90	56.04	56.04	4.18	65.66	65.66	4.56

INDOOR AIR		OUTDOOR COIL ENTERING AIR TEMPERATURES ° F (° C)																						
EDB ° F (° C)	CFM	7 (-13.9)			17 (-8.3)			27 (-2.8)			37 (2.8)			47 (8.3)			57 (13.9)			67 (19.4)				
		Capacity MBtuh	Total Sys. KWt	Total Sys. KWt	Capacity MBtuh	Total Sys. KWt	Total Sys. KWt	Capacity MBtuh	Total Sys. KWt	Total Sys. KWt	Capacity MBtuh	Total Sys. KWt	Total Sys. KWt	Capacity MBtuh	Total Sys. KWt	Total Sys. KWt	Capacity MBtuh	Total Sys. KWt	Total Sys. KWt	Capacity MBtuh	Total Sys. KWt	Total Sys. KWt		
65 (18.3)	880	11.70	10.75	2.14	16.24	14.81	2.23	21.24	19.87	2.32	27.12	24.68	2.45	32.76	32.76	2.60	38.59	38.59	2.74	45.05	45.05	2.80	52.92	52.92
	1000	11.94	10.97	2.12	16.56	15.10	2.20	21.61	19.20	2.28	27.86	25.36	2.42	33.27	33.27	2.52	39.29	39.29	2.64	45.99	45.99	2.80	54.80	54.80
	1120	12.14	11.15	2.12	16.84	15.35	2.18	21.98	19.52	2.25	28.19	25.65	2.37	33.68	33.68	2.46	39.85	39.85	2.57	46.73	46.73	2.72	55.15	55.15
	1200	12.25	11.26	2.12	16.99	15.49	2.18	22.17	19.69	2.24	28.37	25.81	2.35	33.93	33.93	2.43	40.17	40.17	2.54	47.15	47.15	2.67	55.85	55.85
70 (21.1)	880	11.03	10.14	2.26	15.57	14.19	2.35	20.53	18.24	2.45	26.03	23.68	2.56	32.19	32.19	2.74	37.89	37.89	2.88	44.24	44.24	3.07	52.92	52.92
	1000	11.27	10.36	2.25	15.89	14.49	2.32	20.95	18.60	2.40	26.75	24.35	2.51	32.71	32.71	2.66	38.58	38.58	2.78	45.15	45.15	2.94	53.85	53.85
	1120	11.46	10.53	2.24	16.15	14.73	2.31	21.28	18.90	2.38	27.42	24.95	2.48	33.10	33.10	2.59	39.14	39.14	2.71	45.88	45.88	2.85	54.80	54.80
	1200	11.58	10.64	2.24	16.30	14.86	2.30	21.47	19.07	2.36	27.85	25.34	2.48	33.34	33.34	2.56	39.45	39.45	2.67	46.29	46.29	2.80	55.85	55.85
75 (23.9)	880	10.31	9.47	2.38	14.82	13.52	2.47	19.79	17.57	2.57	25.19	22.92	2.69	31.63	31.63	2.89	37.21	37.21	3.04	43.42	43.42	3.22	50.99	50.99
	1000	10.55	9.70	2.37	15.15	13.81	2.45	20.20	17.94	2.53	25.76	23.44	2.63	32.10	32.10	2.80	37.86	37.86	2.92	44.32	44.32	3.09	52.00	52.00
	1120	10.75	9.88	2.36	15.43	14.07	2.43	20.52	18.23	2.51	26.24	23.88	2.59	32.51	32.51	2.73	38.41	38.41	2.84	45.03	45.03	2.99	53.15	53.15
	1200	10.87	9.99	2.36	15.58	14.21	2.43	20.74	18.42	2.49	26.56	24.17	2.57	32.76	32.76	2.70	38.73	38.73	2.80	45.43	45.43	2.94	54.30	54.30

See notes on pg. 59

HEAT PUMP HEATING PERFORMANCE CONTINUED

INDOOR AIR		OUTDOOR COIL ENTERING AIR TEMPERATURES ° F (° C)																				
EDB ° F (° C)	CFM	7 (-13.9)			17 (-8.3)			27 (-2.8)			37 (2.8)			47 (8.3)			57 (13.9)			67 (19.4)		
		Capacity MBtuh	Total System KWt	Integ*	Capacity MBtuh	Total System KWt	Integ*	Capacity MBtuh	Total System KWt	Integ*	Capacity MBtuh	Total System KWt	Integ*	Capacity MBtuh	Total System KWt	Integ*	Capacity MBtuh	Total System KWt	Integ*	Capacity MBtuh	Total System KWt	Integ*
25HCB660A30 Outdoor Section With FV4CNB008 Indoor Section																						
65 (18.3)	1500	27.62	25.38	3.41	35.52	32.39	3.69	42.40	37.65	3.95	50.18	45.66	4.24	58.90	56.90	4.57	68.78	68.78	4.94	79.32	79.32	5.39
	1750	28.16	25.88	3.41	36.00	32.83	3.67	42.99	38.18	3.90	50.94	46.35	4.16	59.87	59.87	4.47	69.84	69.84	4.79	80.44	80.44	5.19
	1835	28.32	26.03	3.41	36.16	32.97	3.66	43.18	38.35	3.89	51.16	46.55	4.15	60.13	60.13	4.43	70.13	70.13	4.75	80.72	80.72	5.15
	2000	28.61	26.29	3.42	36.38	33.17	3.66	43.49	38.62	3.88	51.54	46.91	4.12	60.65	60.65	4.40	70.59	70.59	4.70	81.13	81.13	5.08
70 (21.1)	1500	28.89	24.71	3.58	34.08	31.07	3.84	41.83	37.15	4.14	49.47	45.02	4.44	58.04	58.04	4.78	67.81	67.81	4.99	78.25	78.25	5.61
	1750	27.41	25.19	3.58	35.49	32.35	3.85	42.40	37.66	4.09	50.22	45.70	4.36	59.00	59.00	4.67	68.90	68.90	4.99	79.40	79.40	5.41
	1835	27.57	25.33	3.58	35.64	32.50	3.84	42.58	37.82	4.08	50.44	45.90	4.34	59.28	59.28	4.65	69.20	69.20	4.96	79.70	79.70	5.36
	2000	27.86	25.80	3.59	35.93	32.76	3.84	42.91	38.11	4.07	50.83	46.26	4.32	59.76	59.76	4.60	69.68	69.68	4.90	80.16	80.16	5.29
75 (23.9)	1500	28.10	23.98	3.76	33.08	30.16	4.01	41.23	36.62	4.34	48.76	44.37	4.65	57.17	57.17	5.00	66.82	66.82	5.37	77.15	77.15	5.84
	1750	28.60	24.45	3.75	33.72	30.74	3.99	41.85	37.17	4.28	49.50	45.05	4.56	58.12	58.12	4.88	67.98	67.98	5.21	78.39	78.39	5.64
	1835	28.78	24.61	3.76	33.94	30.94	3.98	42.00	37.30	4.27	49.74	45.27	4.55	58.40	58.40	4.86	68.25	68.25	5.17	78.70	78.70	5.59
	2000	27.07	24.88	3.77	34.30	31.27	3.98	42.34	37.61	4.26	50.12	45.61	4.52	58.88	58.88	4.82	68.75	68.75	5.11	79.17	79.17	5.51

INDOOR AIR		OUTDOOR COIL ENTERING AIR TEMPERATURES ° F (° C)																				
EDB ° F (° C)	CFM	7 (-13.9)			17 (-8.3)			27 (-2.8)			37 (2.8)			47 (8.3)			57 (13.9)			67 (19.4)		
		Capacity MBtuh	Total System KWt	Integ*	Capacity MBtuh	Total System KWt	Integ*	Capacity MBtuh	Total System KWt	Integ*	Capacity MBtuh	Total System KWt	Integ*	Capacity MBtuh	Total System KWt	Integ*	Capacity MBtuh	Total System KWt	Integ*	Capacity MBtuh	Total System KWt	Integ*
25HCB660A30-LO Outdoor Section With FV4CNB008 Indoor Section																						
65 (18.3)	1100	15.94	14.85	2.88	21.40	19.51	2.78	27.36	24.30	2.88	34.24	31.16	3.01	41.42	41.42	3.19	48.46	48.46	3.34	56.24	56.24	3.52
	1250	16.20	14.89	2.86	21.73	19.81	2.74	27.81	24.70	2.83	35.44	32.25	2.98	41.99	41.99	3.09	49.25	49.25	3.22	57.16	57.16	3.36
	1400	16.48	15.14	2.85	22.08	20.13	2.72	28.22	25.07	2.80	35.83	32.60	2.93	42.46	42.46	3.02	49.89	49.89	3.13	57.88	57.88	3.26
	1500	16.63	15.28	2.85	22.23	20.27	2.71	28.43	25.25	2.78	36.04	32.80	2.90	42.73	42.73	2.99	50.28	50.28	3.09	58.28	58.28	3.20
70 (21.1)	1100	15.20	13.96	2.83	20.60	18.79	2.93	26.53	23.56	3.04	33.12	30.14	3.17	40.76	40.76	3.37	47.67	47.67	3.52	55.36	55.36	3.70
	1250	15.50	14.24	2.81	21.02	19.17	2.80	27.02	23.99	2.99	33.81	30.76	3.09	41.36	41.36	3.26	48.43	48.43	3.39	56.29	56.29	3.54
	1400	15.73	14.45	2.80	21.30	19.42	2.88	27.38	24.32	2.95	34.56	31.45	3.05	41.80	41.80	3.19	49.05	49.05	3.30	57.01	57.01	3.42
	1500	15.90	14.61	2.80	21.50	19.60	2.87	27.65	24.56	2.94	34.98	31.83	3.03	42.07	42.07	3.15	49.43	49.43	3.25	57.43	57.43	3.37
80 (26.7)	1100	13.54	12.44	3.13	18.92	17.25	3.24	24.81	22.04	3.36	31.21	28.40	3.50	39.01	39.01	3.72	46.10	46.10	3.91	53.60	53.60	4.09
	1250	13.83	12.70	3.12	19.31	17.61	3.21	25.31	22.48	3.31	31.65	28.98	3.43	40.00	40.00	3.63	46.85	46.85	3.77	54.59	54.59	3.92
	1400	14.07	12.93	3.11	19.63	17.90	3.19	25.68	22.80	3.28	32.33	29.42	3.37	40.48	40.48	3.55	47.45	47.45	3.66	55.31	55.31	3.79
	1500	14.22	13.07	3.11	19.82	18.08	3.19	25.92	23.02	3.26	32.69	29.75	3.35	40.77	40.77	3.51	47.79	47.79	3.61	55.71	55.71	3.72

See notes on pg. 59

HEAT PUMP HEATING PERFORMANCE CONTINUED

25HCB660A30 Outdoor Section With FV4CNB008 Indoor Section

Heating Indoor Model	High Speed Cap.	Power	Low Speed Cap.	Power	High Speed Cap.	Heating Indoor Model	High Speed Cap.	Power	Low Speed Cap.	Power	Furnace Model
FV4CNB006	1.00	1.00	1.00	1.01	1.00	CNPH*6124A**	1.00	1.04	1.01	1.05	58MEB100-20
CAP**6021A**	1.01	1.06	1.01	1.10	0.99	CNPH*6024A**	0.99	1.04	1.00	1.04	58MEB100-20
CAP**6024A**	1.01	1.06	1.01	1.10	1.00	CNPH*6124A**	1.00	1.02	1.01	1.03	58MEB100-20
CNPH*6024A**	1.01	1.07	1.01	1.11	1.00	CSPH*6012A**	1.00	1.03	1.01	1.05	58MEB100-20
CNPH*6124A**	1.02	1.05	1.02	1.11	0.99	CAP**6021A**	0.99	1.03	0.99	1.04	58MEB120-20
CNPH*6024A**	1.02	1.06	1.04	1.19	0.99	CAP**6024A**	0.99	1.03	0.99	1.04	58MEB120-20
CNPH*6124A**	1.02	1.04	1.02	1.10	1.00	CNPH*6024A**	1.00	1.03	0.99	1.03	58MEB120-20
CSPH*6012A**	1.01	1.05	1.02	1.11	0.99	CNPH*6124A**	0.99	1.03	0.99	1.03	58MEB120-20
CAP**6021A**	1.00	1.05	0.98	1.05	0.99	CNPH*6024A**	0.99	1.03	0.99	1.03	58MEB120-20
CAP**6024A**	1.00	1.05	0.98	1.05	0.99	CNPH*6124A**	1.00	1.01	0.99	1.01	58MEB120-20
CNPH*6024A**	1.00	1.05	0.98	1.04	0.99	CSPH*6012A**	1.00	1.02	0.99	1.03	58MEB120-20
CNPH*6124A**	1.01	1.05	0.98	1.04	0.99	CAP**6021A**	1.02	1.10	0.99	1.07	58MV(B,C)080-20
CNPH*6024A**	1.00	1.05	0.98	1.04	0.99	CAP**6024A**	1.02	1.10	0.99	1.07	58MV(B,C)080-20
CNPH*6124A**	1.01	1.03	0.99	1.03	0.99	CNPH*6024A**	1.02	1.10	0.99	1.07	58MV(B,C)080-20
CSPH*6012A**	1.00	1.03	0.98	1.04	0.99	CNPH*6124A**	1.03	1.09	0.99	1.06	58MV(B,C)080-20
CAP**6021A**	1.00	1.04	0.98	1.04	0.99	CNPH*6024A**	1.02	1.10	0.99	1.07	58MV(B,C)080-20
CAP**6024A**	1.00	1.04	0.98	1.04	0.99	CNPH*6124A**	1.02	1.07	0.99	1.05	58MV(B,C)080-20
CNPH*6024A**	0.99	1.03	0.98	1.04	0.99	CSPH*6012A**	1.02	1.08	0.99	1.07	58MV(B,C)080-20
CNPH*6124A**	1.00	1.03	0.98	1.03	0.98	CAP**6021A**	1.01	1.09	0.98	1.07	58MV(B,C)100-20
CNPH*6024A**	0.99	1.03	0.98	1.04	0.98	CAP**6024A**	1.01	1.09	0.98	1.07	58MV(B,C)100-20
CNPH*6124A**	1.00	1.01	0.98	1.02	0.98	CNPH*6024A**	1.01	1.09	0.98	1.07	58MV(B,C)100-20
CSPH*6012A**	1.00	1.02	0.98	1.03	0.99	CNPH*6124A**	1.02	1.08	0.99	1.07	58MV(B,C)100-20
CAP**6021A**	1.00	1.03	0.98	1.04	0.98	CNPH*6024A**	1.01	1.09	0.98	1.07	58MV(B,C)100-20
CAP**6024A**	1.00	1.03	0.98	1.04	0.98	CNPH*6124A**	1.02	1.07	0.99	1.06	58MV(B,C)100-20
CNPH*6024A**	0.99	1.03	0.98	1.04	0.98	CSPH*6012A**	1.01	1.07	0.98	1.05	58MV(B,C)100-20
CNPH*6124A**	1.00	1.02	0.98	1.03	0.98	CAP**6021A**	1.01	1.07	0.98	1.05	58MV(B,C)120-20
CNPH*6024A**	0.99	1.03	0.98	1.04	0.98	CAP**6024A**	1.01	1.07	0.98	1.05	58MV(B,C)120-20
CNPH*6124A**	1.00	1.00	0.98	1.02	0.98	CNPH*6024A**	1.00	1.06	0.98	1.05	58MV(B,C)120-20
CSPH*6012A**	1.00	1.02	0.98	1.03	0.99	CNPH*6124A**	1.01	1.06	0.99	1.06	58MV(B,C)120-20
CAP**6021A**	1.02	1.08	1.01	1.07	0.98	CNPH*6024A**	1.00	1.06	0.98	1.05	58MV(B,C)120-20
CAP**6024A**	1.02	1.08	1.00	1.05	0.98	CNPH*6124A**	1.01	1.04	0.99	1.04	58MV(B,C)120-20
CNPH*6024A**	1.00	1.07	0.98	1.07	0.98	CSPH*6012A**	1.01	1.05	0.98	1.05	58MV(B,C)120-20
CNPH*6124A**	1.00	1.07	0.98	1.06	0.98	CAP**6021A**	1.00	1.04	1.00	1.04	58PH*110-20
CNPH*6024A**	1.00	1.06	0.98	1.06	0.98	CAP**6024A**	1.00	1.04	1.00	1.04	58PH*110-20
CNPH*6124A**	1.00	1.05	0.98	1.06	0.98	CNPH*6024A**	1.00	1.04	1.00	1.04	58PH*110-20
CSPH*6012A**	1.00	1.05	0.98	1.06	0.98	CNPH*6124A**	1.00	1.03	1.00	1.03	58PH*110-20
CAP**6021A**	0.99	1.04	1.00	1.05	0.98	CNPH*6024A**	1.00	1.04	1.00	1.04	58PH*110-20
CAP**6024A**	0.99	1.04	1.00	1.05	0.98	CNPH*6124A**	1.01	1.02	1.00	1.01	58PH*110-20
CNPH*6024A**	0.99	1.04	1.00	1.04	0.98	CSPH*6012A**	1.00	1.02	1.00	1.03	58PH*110-20

Heating Indoor Model	High Speed Cap.	Power	Low Speed Cap.	Power	High Speed Cap.	Heating Indoor Model	High Speed Cap.	Power	Low Speed Cap.	Power	Furnace Model
CAP**6021A**	1.00	1.05	0.99	1.05	1.00	CAP**6021A**	1.00	1.05	0.99	1.05	58PH*135-20
CAP**6024A**	1.00	1.05	0.99	1.05	1.00	CAP**6024A**	1.00	1.05	0.99	1.05	58PH*135-20
CNPH*6024A**	1.00	1.05	0.99	1.04	1.00	CNPH*6024A**	1.00	1.05	0.99	1.04	58PH*135-20
CNPH*6124A**	1.00	1.04	0.99	1.04	1.00	CNPH*6124A**	1.00	1.04	0.99	1.04	58PH*135-20
CNPH*6024A**	1.00	1.05	0.99	1.04	1.00	CNPH*6024A**	1.00	1.05	0.99	1.04	58PH*135-20
CNPH*6124A**	1.01	1.03	0.99	1.03	1.01	CNPH*6124A**	1.01	1.03	0.99	1.02	58PH*135-20
CSPH*6012A**	1.00	1.03	0.99	1.03	1.00	CSPH*6012A**	1.00	1.03	0.99	1.04	58PH*135-20
CAP**6021A**	1.00	1.06	1.00	1.06	1.00	CAP**6021A**	1.00	1.06	1.00	1.05	58VLR120-20
CAP**6024A**	1.01	1.06	1.00	1.06	1.00	CAP**6024A**	1.01	1.06	1.00	1.05	58VLR120-20
CNPH*6024A**	1.01	1.05	1.00	1.05	1.00	CNPH*6024A**	1.01	1.05	1.00	1.05	58VLR120-20
CNPH*6124A**	1.01	1.03	1.00	1.03	1.00	CNPH*6124A**	1.01	1.03	1.00	1.03	58VLR120-20
CSPH*6012A**	1.02	1.09	1.00	1.09	1.02	CSPH*6012A**	1.02	1.09	1.00	1.06	58VLR120-20
CAP**6021A**	1.01	1.08	1.00	1.08	1.00	CAP**6021A**	1.01	1.08	1.00	1.06	58VLR120-20
CAP**6024A**	1.01	1.07	1.00	1.07	1.00	CAP**6024A**	1.01	1.07	1.00	1.06	58VLR120-20
CNPH*6024A**	1.02	1.07	1.00	1.07	1.00	CNPH*6024A**	1.02	1.07	1.00	1.05	58VLR120-20
CNPH*6124A**	1.02	1.07	1.00	1.07	1.00	CNPH*6124A**	1.02	1.07	1.00	1.05	58VLR120-20
CSPH*6012A**	0.99	1.07	0.98	1.07	0.98	CSPH*6012A**	0.99	1.07	0.98	1.04	59*N*A100V21**20
CAP**6021A**	0.99	1.06	0.98	1.06	0.98	CAP**6021A**	0.99	1.06	0.98	1.04	59*N*A100V21**20
CAP**6024A**	0.99	1.06	0.98	1.06	0.98	CAP**6024A**	0.99	1.06	0.98	1.04	59*N*A100V21**20
CNPH*6024A**	0.98	1.06	0.98	1.06	0.98	CNPH*6024A**	0.98	1.06	0.98	1.04	59*N*A100V21**20
CNPH*6124A**	0.99	1.05	0.98	1.05	0.98	CNPH*6124A**	0.99	1.05	0.98	1.03	59*N*A100V21**20
CNPH*6024A**	0.98	1.04	0.98	1.04	0.98	CNPH*6024A**	0.98	1.04	0.98	1.04	59*N*A100V21**20
CNPH*6124A**	0.99	1.04	0.98	1.04	0.98	CNPH*6124A**	0.99	1.04	0.98	1.03	59*N*A100V21**20
CSPH*6012A**	0.99	1.05	0.98	1.05	0.98	CSPH*6012A**	0.99	1.05	0.98	1.03	59*N*A120V24**22
CAP**6021A**	0.98	1.03	0.96	1.03	0.96	CAP**6021A**	0.98	1.03	0.96	1.01	59*N*A120V24**22
CAP**6024A**	0.98	1.03	0.96	1.03	0.96	CAP**6024A**	0.98	1.03	0.96	1.01	59*N*A120V24**22
CNPH*6024A**	0.98	1.04	0.96	1.04	0.96	CNPH*6024A**	0.98	1.04	0.96	1.01	59*N*A120V24**22
CNPH*6124A**	0.98	1.02	0.98	1.02	0.98	CNPH*6124A**	0.98	1.02	0.98	1.02	59*N*A120V24**22
CSPH*6012A**	0.98	1.04	0.96	1.04	0.96	CSPH*6012A**	0.98	1.04	0.96	1.01	59*N*A120V24**22
CAP**6021A**	0.98	1.01	0.96	1.01	0.96	CAP**6021A**	0.98	1.01	0.96	1.00	59*N*A120V24**22
CAP**6024A**	0.98	1.01	0.96	1.01	0.96	CAP**6024A**	0.98	1.01	0.96	1.00	59*N*A120V24**22
CNPH*6024A**	0.98	1.02	0.98	1.02	0.98	CNPH*6024A**	0.98	1.02	0.98	1.02	59*P5A120E24**22
CNPH*6124A**	0.98	1.04	0.98	1.04	0.98	CNPH*6124A**	0.98	1.04	0.98	1.02	59*P5A120E24**22
CSPH*6012A**	0.98	1.02	0.98	1.02	0.98	CSPH*6012A**	0.98	1.02	0.98	1.02	59*P5A120E24**22
CAP**6021A**	0.98	1.01	0.96	1.01	0.96	CAP**6021A**	0.98	1.01	0.96	1.00	59*P5A120E24**22
CAP**6024A**	0.98	1.01	0.96	1.01	0.96	CAP**6024A**	0.98	1.01	0.96	1.00	59*P5A120E24**22
CNPH*6024A**	0.98	1.02	0.98	1.02	0.98	CNPH*6024A**	0.98	1.02	0.98	1.02	59*P5A120E24**22
CNPH*6124A**	0.98	1.04	0.98	1.04	0.98	CNPH*6124A**	0.98	1.04	0.98	1.02	59*P5A120E24**22
CSPH*6012A**	0.98	1.02	0.98	1.02	0.98	CSPH*6012A**	0.98	1.02	0.98	1.02	59*P5A120E24**22

NOTE: When the required data falls between the published data, interpolation may be performed. Extrapolation is not an acceptable practice.

* Tested Combination

† The Btuh heating capacity values shown are net integrated values from which the defrost effect has been subtracted. The Btuh heating from supplement heaters should be added to those values to obtain total system capacity.

‡ The kW values include the compressor, outdoor fan motor, and indoor blower motor. The kW from supplement heaters should be added to these values to obtain total system kilowatts.

EDB — Entering Dry Bulb



25HCB66

GUIDE SPECIFICATIONS

GENERAL

System Description

Outdoor-mounted, air-cooled, split-system heat pump unit suitable for ground or rooftop installation. Unit consists of a hermetic compressor, an air-cooled coil, forward-swept blade propeller-type condenser fan, and a control box. Unit will discharge supply air upward as shown on contract drawings. Unit will be used in a refrigeration circuit to match up to a packaged fan coil or coil unit.

Quality Assurance

- Unit will be rated in accordance with the latest edition of AHRI Standard 240.
- Unit will be certified for capacity and efficiency, and listed in the latest AHRI directory.
- Unit construction will comply with latest edition of ASHRAE and with NEC.
- Unit will be constructed in accordance with UL standards and will carry the UL label of approval. Unit will have C-UL approval.
- Unit cabinet will be capable of withstanding Federal Test Method Standard No. 141 (Method 6061) 500-hr salt spray test.
- Air-cooled condenser coils are pressure tested and the outdoor units are leak tested.
- Unit constructed in ISO9001 approved facility.

Delivery, Storage, and Handling

- Unit will be shipped as single package only and is stored and handled per unit manufacturer's recommendations.

Warranty (for inclusion by specifying engineer)

- U.S. and Canada only.

PRODUCTS

Equipment

- Factory-assembled, single-piece, air-cooled heat pump unit. Contained within the unit enclosure is all factory wiring, piping, controls, compressor, refrigerant charge Puron® (R-410A) refrigerant, and special features required prior to field start-up.

Unit Cabinet

- Unit cabinet will be constructed of galvanized steel, bonderized, and coated with a powder coat paint.

Fans

- Condenser fan will be direct-drive propeller type, forward swept blade, discharging air upward.

AIR-COOLED, SPLIT-SYSTEM HEAT PUMP

25HCB6

2 TO 5 NOMINAL TONS

- Condenser fan motors will be totally enclosed, 1-phase type with class B insulation and permanently lubricated.
- Shafts will be corrosion resistant.
- Fan blades will be statically and dynamically balanced.
- Condenser fan openings will be equipped with coated steel wire safety guards.

Compressor

- Compressor will be hermetically sealed.
- Compressor will be mounted on rubber vibration isolators.
- Compressor will be covered with a sound absorbing blanket.

Condenser Coil

- Condenser coil will be air cooled.
- Coil will be constructed of aluminum fins mechanically bonded to copper tubes which are then cleaned, dehydrated, and sealed.

Refrigeration Components

- Refrigeration circuit components will include liquid-line back-seating shutoff valve with sweat connections, vapor-line back-seating shutoff valve with sweat connections, system charge of Puron® (R-410A) refrigerant, POE compressor oil, accumulator, and reversing valve.
- Unit will be equipped with high-pressure switch, loss-of-charge switch, and filter drier for Puron® refrigerant.

Operating Characteristics

- The capacity of the unit will meet or exceed _____ Btuh at a suction temperature of _____ °F (°C). The power consumption at full load will not exceed _____ kW.
- Combination of the unit and the evaporator or fan coil unit will have a total net cooling capacity of _____ Btuh or greater at conditions of _____ CFM entering air temperature at the evaporator at _____ °F (°C) wet bulb and _____ °F (°C) dry bulb, and air entering the unit at _____ °F (°C).
- The system will have a SEER of _____ Btuh/watt or greater at DOE conditions.

Electrical Requirements

- Nominal unit electrical characteristics will be _____ v, single phase, 60 hz. The unit will be capable of satisfactory operation within voltage limits of _____ v to _____ v.
- Unit electrical power will be single point connection.
- Control circuit will be 24v.

Special Features

- Refer to section of this literature identifying accessories and descriptions for specific features and available enhancements.

SYSTEM DESIGN SUMMARY

1. Intended for outdoor installation with free air inlet and outlet. Outdoor fan external static pressure available is less than 0.01-in. wc.
2. Minimum outdoor operating air temperature without low-ambient operation accessory is 55°F (12.8°C).
3. The maximum outdoor operating ambient in cooling mode is 125°F (51.67°C) when operating voltage is 230v. For 208v applications, the maximum outdoor ambient is 120°F (48.9°C).
4. Minimum outdoor operating air temperature for heating mode is -30°F (-34.4°C).
5. Maximum outdoor operating air temperature for heating mode is 66°F (18.9°C).
6. For reliable operation, unit should be level in all horizontal planes.
7. For interconnecting refrigerant tube lengths greater than 80 ft (23.4 m) and/or elevation differences between indoor and outdoor units greater than 20 ft (6.1 m), consult Residential Piping and Longline Guideline and Service Manual available from equipment distributor.
8. If any refrigerant tubing is buried, provide a 6 in. (152.4 mm) vertical rise to the valve connections at the unit. Refrigerant tubing lengths up to 36 in. (914.4 mm) may be buried without further consideration. Do not bury refrigerant lines longer than 36 in. (914.4 mm).
9. Use only copper wire for electric connection at unit. Aluminum and clad aluminum are not acceptable for the type of connector provided.
10. Do not apply capillary tube indoor coils to these units.
11. Factory-supplied filter drier must be installed.

