

**25HCC5
Performance™ 15 Heat Pump
with Puron® Refrigerant
1–1/2 To 5 Nominal Tons**



Product Data



Performance SERIES

Carrier's heat pumps with Puron® refrigerant provide a collection of features unmatched by any other family of equipment. The 25HCC5 has been designed utilizing Carrier's Puron refrigerant. The environmentally sound refrigerant allows consumers to make a responsible decision in the protection of the earth's ozone layer. This product has been designed and manufactured to meet Energy Star® criteria for energy efficiency when matched with appropriate coil components. Refer to the combination ratings in the Product Data for system combinations that meet Energy Star® guidelines.

NOTE: Ratings contained in this document are subject to change at any time. Always refer to the AHRI directory (www.ahridirectory.org) for the most up-to-date ratings information.

INDUSTRY LEADING FEATURES / BENEFITS

Efficiency

- 15.3 SEER/ 11.0 - 13.0 EER/ 7.7 - 9.0 HSPF (Nominal)
- Microtube Technology™ refrigeration system
- Indoor air quality accessories available

Sound

- Sound level as low as 68 dBA

Comfort

- System supports Thermidistat™ or standard thermostat controls

Reliability

- Puron® refrigerant - environmentally sound, won't deplete the ozone layer and low lifetime service cost.
- Front-seating service valves
- Scroll compressor
- Internal pressure relief valve
- Internal thermal overload
- High pressure switch
- Loss of charge switch
- Filter drier
- Balanced refrigeration system for maximum reliability

Durability

WeatherArmor™ protection package:

- Solid, durable sheet metal construction
- Steel louver coil guard
- Baked-on, complete coverage, powder paint

Applications

- Long-line - up to 250 feet (76.20 m) total equivalent length, up to 200 feet (60.96 m) condenser above evaporator, or up to 80 ft. (24.38 m) evaporator above condenser (See Longline Guide for more information.)
- Low ambient (down to -20°F/-28.9°C) with accessory kit

MODEL NUMBER NOMENCLATURE

1	2	3	4	5	6	7	8	9	10	11	12	13
N	N	A	A	A/N	N	N	N	A/N	A/N	A/N	N	N
2	5	H	C	C	5	3	6	A	0	0	3	1
Product Series	Product Family	Tier	Major Series	SEER	Cooling Capacity	Variations	Open	Open	Voltage	Minor Series		
25 = HP	H = RES HP	C=Performance	C = Puron	5=15 SEER		A = Standard	0=Not Defined	0=Not Defined	3=208/230-1	0, 1, 2...		



Use of the AHRI Certified TM Mark indicates a manufacturer's participation in the program. For verification of certification for individual products, go to www.ahridirectory.org.



ISO 9001
QMI-SAI Global



This product has been designed and manufactured to meet Energy Star® criteria for energy efficiency when matched with appropriate coil components. However, proper refrigerant charge and proper air flow are critical to achieve rated capacity and efficiency. Installation of this product should follow all manufacturing refrigerant charging and air flow instructions. **Failure to confirm proper charge and air flow may reduce energy efficiency and shorten equipment life.**

STANDARD FEATURES

Feature	18	24	30	36	42	48	60
Puron Refrigerant	X	X	X	X	X	X	X
Maximum SEER Rating*	14.5	15.3	15.0	15.0	15.3	15.0	15.0
Scroll Compressor	X	X	X	X	X	X	X
Louvered Coil Guard	X	X	X	X	X	X	X
Field Installed Filter Drier	X	X	X	X	X	X	X
Front Seating Service Valves	X	X	X	X	X	X	X
Internal Pressure Relief Valve	X	X	X	X	X	X	X
Internal Thermal Overload	X	X	X	X	X	X	X
Long Line capability	X	X	X	X	X	X	X
Low Ambient capability with Kit	X	X	X	X	X	X	X
Suction Line Accumulator	X	X	X	X	X	X	X
High Pressure Switch	X	X	X	X	X	X	X
Loss of Charge Switch	X	X	X	X	X	X	X

* Based on tested combination ratings
X = Standard

PHYSICAL DATA

UNIT SIZE SERIES	18	24	30	36	42	48	60
Operating Weight lb (kg)	169	200	196	215	245	260	294
Shipping Weight lb (kg)	207	233	242	257	290	303	345
Compressor Type	Scroll						
REFRIGERANT	R-410A						
Control	TXV (R-410A Hard Shutoff)						
Charge (lb)	5.6	7.6	7.0	7.4	8.9	9.6	12.5
COND FAN	Propeller Type, Direct Drive						
Air Discharge	Vertical						
Air Qty (CFM)	2233	3223	3223	3810	3810	4046	4046
Motor HP	1/12	1/12	1/12	1/5	1/5	1/4	1/4
Motor RPM	800	800	800	800	800	800	800
COND COIL							
Face Area (Sq ft)	15.09	20.12	20.12	22.63	17.60	20.12	25.15
Fins per In.	20	20	20	20	20	20	20
Rows	1	1	1	1	2	2	2
Circuits	4	5	5	6	7	7	9
VALVE CONNECT. (In. ID)							
Vapor	5/8	5/8	3/4	3/4	7/8	7/8	7/8
Liquid	3/8						
REFRIGERANT TUBES (In. OD)							
Rated Vapor*	5/8	5/8	3/4	3/4	7/8	7/8	1-1/8
Max Liquid Line	3/8"						

*Units are rated with 25 ft (7.6 m) of lineset length. See Vapor Line Sizing and Cooling Capacity Loss table when using other sizes and lengths of lineset.

Note: See unit Installation Instruction for proper installation.

25HCC5

VAPOR LINE SIZING AND COOLING CAPACITY LOSS

Acceptable vapor line diameters provide adequate oil return to the compressor while avoiding excessive capacity loss. The suction line diameters shown in the chart below are acceptable for HP systems with Puron refrigerant:

VAPOR LINE SIZING AND COOLING CAPACITY LOSSES - PURON® REFRIGERANT 1- STAGE HEAT PUMP APPLICATIONS

Unit Nominal Size (Btuh)	Maximum Liquid Line Diameters (In. OD)	Vapor Line Diameters (In.) OD	Cooling Capacity Loss (%) Total Equivalent Line Length ft. (m)								
			Standard Application		Long Line Application Requires Accessories						
			26-50 (7.9-15.2)	51-80 (15.5-24.4)	81-100 (24.7-30.5)	101-125 (30.8-38.1)	126-150 (38.4-45.7)	151-175 (46.0-50.3)	176-200 (53.6-60.0)	201-225 (61.3-68.6)	226-250 (68.9-76.2)
18,000 1-Stage HP with Puron	3/8	1/2	1	2	3	4	6	7	8	9	10
		5/8	0	0	1	1	1	2	2	3	3
24,000 1-Stage HP with Puron	3/8	5/8	0	1	1	2	3	3	4	4	5
		3/4	0	0	0	0	1	1	1	1	1
30,000 1-Stage HP with Puron	3/8	5/8	1	2	3	3	4	5	6	7	8
		3/4	0	0	1	1	1	2	2	2	3
		7/8	0	0	0	0	1	1	1	1	1
36,000 1-Stage HP with Puron	3/8	5/8	1	2	4	5	6	7	9	10	11
		3/4	0	0	1	1	2	2	3	3	4
		7/8	0	0	0	0	1	1	1	1	2
42,000 1-Stage HP with Puron	3/8	3/4	0	1	2	2	3	4	4	5	6
		7/8	0	0	1	1	1	2	2	2	3
48,000 1-Stage HP with Puron	3/8	3/4	0	1	2	3	4	5	5	6	7
		7/8	0	0	1	1	2	2	2	3	3
60,000+ 1-Stage HP with Puron	3/8	3/4	1	2	4	5	6	7	9	10	11
		7/8	0	1	2	2	3	4	4	5	5
		1-1/8	0	0	0	1	1	1	1	1	1

Standard Length = 80 ft. (24.4 m) or less total equivalent length

Applications in this area are long line. Accessories are required as shown recommended on Long Line Application Guidelines

Applications in this area may have height restrictions that limit allowable total equivalent length, when outdoor unit is below indoor unit. See Long Line Application Guidelines

REFRIGERANT PIPING LENGTH LIMITATIONS

Maximum Line Lengths:

The maximum allowable total equivalent length for heat pumps varies depending on the vertical separation. See the tables below for allowable lengths depending on whether the outdoor unit is on the same level, above or below the indoor unit.

MAXIMUM LINE LENGTHS FOR HEAT PUMP APPLICATIONS

	MAXIMUM ACTUAL LENGTH ft (m)	MAXIMUM EQUIVALENT LENGTH† ft (m)	MAXIMUM VERTICAL SEPARATION ft (m)
Units on equal level	200 (61)	250 (76.2)	N/A
Outdoor unit ABOVE indoor unit	200 (61)	250 (76.2)	200 (61)
Outdoor unit BELOW indoor unit	See Table 'Maximum Total Equivalent Length: Outdoor Unit BELOW Indoor Unit'		

† Total equivalent length accounts for losses due to elbows or fitting. See the Long Line Guideline for details.

MAXIMUM TOTAL EQUIVALENT LENGTH† - OUTDOOR UNIT BELOW INDOOR UNIT

Size	Liquid Line Diameter w/ TXV	HP with Puron® Refrigerant – Maximum Total Equivalent Length† Vertical Separation ft (m) Outdoor unit BELOW indoor unit;						
		0–20 (0 – 6.1)	21–30 (6.4 – 9.1)	31–40 (9.4 – 12.2)	41–50 (12.5 – 15.2)	51–60 (15.5 – 18.3)	61–70 (18.6 – 21.3)	71–80 (21.6 – 24.4)
18000 HP with Puron	3/8	250*	250*	250*	250*	250*	250*	250*
24000 HP with Puron	3/8	250*	250*	250*	250*	250*	250*	250*
30000 HP with Puron	3/8	250*	250*	250*	250*	250*	250*	250*
36000 HP with Puron	3/8	250*	250*	250*	250*	250*	250*	250*
42000 HP with Puron	3/8	250*	250*	250*	250*	250*	250*	150
48000 HP with Puron	3/8	250*	250*	250*	250*	230	160	--
60000 HP with Puron	3/8	250*	225*	190	150	110	--	--

* Maximum actual length not to exceed 200 ft (61 m)

† Total equivalent length accounts for losses due to elbows or fitting. See the Long Line Guideline for details.

-- = outside acceptable range

LONG LINE APPLICATIONS

An application is considered Long Line when the refrigerant level in the system requires the use of accessories to maintain acceptable refrigerant management for systems reliability. Defining a system as long line depends on the liquid line diameter, actual length of the tubing, and vertical separation between the indoor and outdoor units.

For Heat Pump systems, the chart below shows when an application is considered Long Line. Beyond these lengths, long line accessories are required:

HP WITH PURON® REFRIGERANT LONG LINE DESCRIPTION FT (M) BEYOND THESE LENGTHS, LONG LINE ACCESSORIES ARE REQUIRED

Liquid Line Size	Units On Same Level	Outdoor Below Indoor	Outdoor Above Indoor
3/8	80 (24.4)	20 (6.1) vertical or 80 (24.4) total	80 (24.4)

Note: See Long Line Guideline for details

ACCESSORIES

ORDER NUMBER	DESCRIPTION	18-30	24-30	30-30	36-30	42-30	48-30	60-30
KAACH1701AAA	CRANKCASE HTR	X	X	X				
KAACH1401AAA	CRANKCASE HTR				X			
KAACH1601AAA	CRANKCASE HTR					X		
KAACH1201AAA	CRANKCASE HTR						X	
Standard	CRANKCASE HTR							S
KSACY0101AAA	CYCLE PROTECTOR	X	X	X	X	X	X	X
KAFT0101AAA	FREEZE THERMOSTAT	X	X	X	X	X	X	X
KSAHS1701AAA	HARD START (CAP/RELAY)	X	X	X	X	X	X	X
KHAIR0101AAA	ISOLATION RELAY	X	X	X	X	X	X	X
KSALA0301410	LOW AMBIENT PSW	X	X	X	X	X	X	X
HC32GE229	MOTOR FAN BALL BEARING	X	X	X				
HC38GE228	MOTOR FAN BALL BEARING				X	X		
HC40GE228	MOTOR FAN BALL BEARING						X	X
KSALA0601AAA	MOTORMASTER 230V	X	X	X	X	X	X	X
KHAOT0201SEC	OUTDOOR THERMOSTAT	X	X	X	X	X	X	X
KHAOT0301FST	OUTDOOR THERMOSTAT	X	X	X	X	X	X	X
KHASS0606MPK*	HEAT PUMP SNOW RACK	X	X	X	X	X	X	X
KHALS0401LLS	SOLENOID VALVE	X	X	X	X	X	X	X
KAACS0201PTC	START ASSIST PTC	X	X	X	X	X	X	X
KSASF0101AAA	SUPPORT FEET	X	X	X	X	X	X	X
KAATD0101TDR	TIME DELAY	X	X	X	X	X	X	X
KSATX0201PUR	TXV PURON HSO	X	X	X				
KSATX0301PUR	TXV PURON HSO				X	X		
KSATX0401PUR	TXV PURON HSO						X	
KSATX0501PUR	TXV PURON HSO							X

x = Accessory S = Standard

* Order through RCD – Totaline, part number KHASS0606MPK (qty 6).

25HCC5

ACCESSORY THERMOSTATS

PART NUMBER	PROGRAM	GAS	ELECTRIC	HEAT PUMP	HYBRID HEAT	HEAT	COOL
Performance							
TP-PRH01-A	7-Day	√	√	√	√	3	2
TP-PHP01	7-Day		√	√		3	2
TP-NRH01-A	NP	√	√	√	√	3	2
TP-NHP01	NP		√	√		3	2

THERMOSTAT ACCESSORIES		
PART NUMBER	BRIEF DESCRIPTION	THERMOSTATS USED WITH
SYSTXCCRRS01	Indoor Remote Room Temperature Sensor	All TP- thermostats
TP-EXP01-A	ExP Computer Programming Accessory	TP-P thermostats
TSTATXXCNV10*	Thermostat Conversion Kit (4 to 5 wire) – 10 pack	All Carrier branded thermostats
TX-LBP01	Large Decorative Backplate	TP-Pxx, TP-Nxx, TC-Pxx
TSTATXXSEN01-B†	Outdoor Air Temperature Sensor	All TP- thermostats

* Thermostat conversion kit is a 24-vac accessory that can turn a 4-wire thermostat application into a 5-wire application. This kit can also be used to replace a broken thermostat wire, or add an extra wire when needed.

† Outdoor temperature sensor is an accessory for all Carrier electronic thermostats, except the non-programmable air conditioner version and builder;s thermostats. It allows the temperature at a remote location (outdoors) to be displayed on the thermostat. The outdoor air temperature sensor must be used with the HybridHeat™ (dual fuel) thermostat. The outdoor air temperature sensor is included with the Thermidistat Control and HybridHeat™ (dual fuel) thermostat.

ACCESSORY USAGE GUIDELINE

Accessory	REQUIRED FOR LOW – AMBIENT COOLING APPLICATIONS (Below 55°F / 12.8°C)	REQUIRED FOR LONG LINE APPLICATIONS*	REQUIRED FOR SEA COAST APPLICATIONS (Within 2 miles / 3.22 km)
Accumulator	Standard	Standard	Standard
Ball Bearing Fan Motor	Yes†	No	No
Compressor Start Assist Capacitor and Relay	Yes	Yes	No
Crankcase Heater	Yes	Yes	No
Evaporator Freeze Thermostat	Yes	No	No
Hard Shutoff TXV	Yes	Yes	Yes
Isolation Relay	Yes	No	No
Liquid Line Solenoid Valve	No	See Long-Line Application Guideline	No
Motor Master® Control or Low Ambient Switch	Yes	No	No
Support Feet	Recommended	No	Recommended

* For tubing line sets between 80 and 200 ft. (24.38 and 60.96 m) and/or 20 ft. (6.09 m) vertical differential, refer to Residential Piping and Longline Guideline.

† Additional requirement for Low-Ambient Controller (full modulation feature) MotorMaster® Control.

Accessory Description and Usage (Listed Alphabetically)

1. Ball-Bearing Fan Motor

A fan motor with ball bearings which permits speed reduction while maintaining bearing lubrication.

Usage Guideline:

Required on all units when using MotorMaster®

2. Compressor Start Assist - Capacitor and Relay

Start capacitor and relay gives a "hard" boost to compressor motor at each start up.

Usage Guideline:

Required for reciprocating compressors in the following applications:

Long line

Low ambient cooling

Hard shut off expansion valve on indoor coil

Liquid line solenoid on indoor coil

Required for single-phase scroll compressors in the following applications:

Long line

Low ambient cooling

Suggested for all compressors in areas with a history of low voltage problems.

3. Compressor Start Assist — PTC Type

Solid state electrical device which gives a "soft" boost to the compressor at each start-up.

Usage Guideline:

Suggested in installations with marginal power supply.

4. Crankcase Heater

An electric resistance heater which mounts to the base of the compressor to keep the lubricant warm during off cycles. Improves compressor lubrication on restart and minimizes the chance of liquid slugging.

Usage Guideline:

Required in low ambient cooling applications.

Required in long line applications.

Suggested in all commercial applications.

5. Evaporator Freeze Thermostat

An SPST temperature-actuated switch that stops unit operation when evaporator reaches freeze-up conditions.

Usage Guideline:

Required when low ambient kit has been added.

6. Isolation Relay

An SPDT relay which switches the low-ambient controller out of the outdoor fan motor circuit when the heat pump switches to heating mode.

Usage Guideline:

Required in all heat pumps where low ambient kit has been added.

7. Liquid-Line Solenoid Valve (LLS)

An electrically operated shutoff valve which stops and starts refrigerant liquid flow in response to compressor operation. It is to be installed at the outdoor unit to control refrigerant off cycle migration in the heating mode.

Usage Guideline:

An LLS is required in all long line heat pump applications to control refrigerant off cycle migration in the heating mode. See Long Line Guideline.

8. Low-Ambient Pressure Switch Kit

A long life pressure switch which is mounted to outdoor unit service valve. It is designed to cycle the outdoor fan motor in order to maintain head pressure within normal operating limits. The control will maintain working head pressure at low-ambient temperatures down to 0°F (-17.8°C) when properly installed.

Usage Guideline:

A Low-Ambient Pressure Switch or MotorMaster® Low-Ambient Controller must be used when cooling operation is used at outdoor temperatures below 55°F (12.8°C).

9. MotorMaster® Low-Ambient Controller

A fan-speed control device activated by a temperature sensor, designed to control condenser fan motor speed in response to the saturated, condensing temperature during operation in cooling mode only. For outdoor temperatures down to -20°F (-28.9°C), it maintains condensing temperature at 100°F ±10°F (37.8°C ± 6.5°C).

Usage Guideline:

A MotorMaster® Low Ambient Controller or Low-Ambient Pressure Switch must be used when cooling operation is used at outdoor temperatures below 55°F (12.8°C).

Suggested for all commercial applications.

Accessory Description and Usage (Listed Alphabetically) - CONTINUED

10. Outdoor Air Temperature Sensor

Designed for use with Carrier Thermostats listed in this publication. This device enables the thermostat to display the outdoor temperature. This device also is required to enable special thermostat features such as auxiliary heat lock out.

Usage Guideline:

Suggested for all Carrier thermostats listed in this publication.

11. Outdoor Thermostat

An SPDT temperature-actuated switch which turns on supplemental electric heaters when outdoor air temperature drops below a user-selected set point.

Usage Guideline:

Electric supplemental heat applications in non-variable speed indoor units when electric heat staging is desired.

12. Secondary Outdoor Thermostat

An SPDT temperature-actuated switch which turns on third-stage of supplemental electric heaters when outdoor air temperature drops below the second-stage set point.

Usage Guideline:

Outdoor thermostat applications where electric heater is capable of three-stage operation.

13. Snow Stand

Coated wire rack which supports unit 18 in. (457.2 mm) above mounting pad to allow for drainage from unit base.

Usage Guideline:

Suggested in the following applications:

Heat pump installations in heavy snowfall areas.

Heat pump installations in snow drift locations.

Heat pump installations in areas of prolonged subfreezing temperatures.

All commercial installations.

14. Thermostatic Expansion Valve (TXV) Bi-Flow

A modulating flow-control valve which meters refrigerant liquid flow rate into the evaporator in response to the superheat of the refrigerant gas leaving the evaporator.

Usage Guideline:

Accessory required to meet AHRI rating and system reliability, where indoor not equipped.

Required in all heat pump applications designed with Puron refrigerant.

15. Time-Delay Relay

An SPST delay relay which briefly continues operation of indoor blower motor to provide additional cooling after the compressor cycles off.

Note: Most indoor unit controls include this feature. For those that do not, use the guideline below.

Usage Guideline:

Accessory required to meet AHRI rating, where indoor not equipped.

ELECTRICAL DATA

UNIT SIZE	V/PH	OPER VOLTS*		COMPR		FAN	MCA	MIN WIRE SIZE†	MIN WIRE SIZE†	MAX LENGTH ft (m)††	MAX LENGTH ft (m)††	MAX FUSE** or CKT BRK AMPS
		MAX	MIN	LRA	RLA	FLA		60° C	75° C	60° C	75° C	
18-30	208/230/1	253	197	48.0	9.00	0.5	11.8	14	14	67 (20.4)	63 (19.2)	20
24-30				58.3	12.80	0.5	16.5	14	14	48 (14.6)	45 (13.7)	25
30-30				73.0	14.10	0.5	18.1	14	14	44 (13.4)	41 (12.5)	30
36-30				79.0	16.70	1.2	22.1	12	12	57 (17.4)	54 (16.5)	35
42-30				109.0	21.10	1.2	27.6	10	10	72 (21.9)	69 (21.0)	40
48-30				117.0	21.80	1.2	28.5	10	10	70 (21.3)	67 (20.4)	40
60-30				134.0	26.40	1.2	34.2	8	10	91 (27.7)	56 (17.1)	50

* Permissible limits of the voltage range at which the unit will operate satisfactorily

† If wire is applied at ambient greater than 30°C, consult table 310-16 of the NEC (ANSI/NFPA 70). The ampacity of non-metallic-sheathed cable (NM), trade name ROMEX, shall be that of 60°C conditions, per the NEC (ANSI/NFPA 70) Article 336-26. If other than uncoated (no-plated), 60 or 75°C insulation, copper wire (solid wire for 10 AWG or smaller, stranded wire for larger than 10 AWG) is used, consult applicable tables of the NEC (ANSI/NFPA 70).

‡ Length shown is as measured 1 way along wire path between unit and service panel for voltage drop not to exceed 2%.

** Time-Delay fuse.

FLA - Full Load Amps

LRA - Locked Rotor Amps

MCA - Minimum Circuit Amps

RLA - Rated Load Amps

NOTE: Control circuit is 24-V on all units and requires external power source. Copper wire must be used from service disconnect to unit.

All motors/compressors contain internal overload protection.

Complies with 2007 requirements of ASHRAE Standards 90.1

25HCC5

A-WEIGHTED SOUND POWER

UNIT SIZE - VOLTAGE, SERIES	STANDARD RATING (dBA)	TYPICAL OCTAVE BAND SPECTRUM (dBA, without tone adjustment)						
		125	250	500	1000	2000	4000	8000
18-30	72	50.5	60.0	65.0	67.5	64.5	61.5	53.5
24-30	68	49.5	58.5	61.5	62.0	61.0	58.5	51.5
30-30	69	50.5	58.5	61.5	64.0	61.5	58.5	51.5
36-30	70	54.5	57.5	63.0	66.0	64.0	61.0	54.0
42-30	72	56.5	64.5	66.5	66.5	64.5	61.0	54.5
48-30	72	58.5	63.0	65.5	67.0	63.5	60.0	52.0
60-30	73	58.5	62.5	65.0	67.0	64.0	61.0	56.5

NOTE: Tested in accordance with AHRI Standard 270-08 (not listed in AHRI).


CHARGING SUBCOOLING (TXV-TYPE EXPANSION DEVICE)

UNIT SIZE - VOLTAGE, SERIES	REQUIRED SUBCOOLING ° F (° C)
18-30	12 (6.7)
24-30	14 (7.8)
30-30	10 (5.6)
36-30	8 (4.4)
42-30	10 (5.6)
48-30	11 (6.1)
60-30	10 (5.6)

DIMENSIONS - ENGLISH

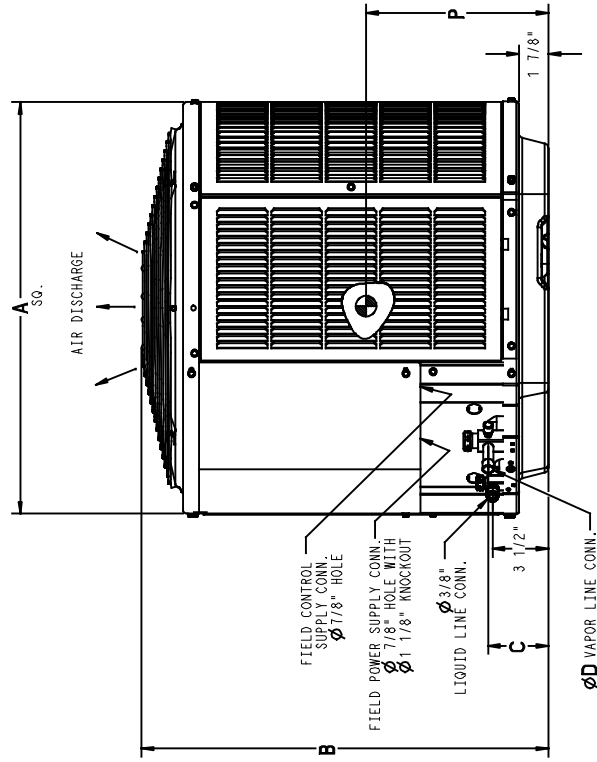
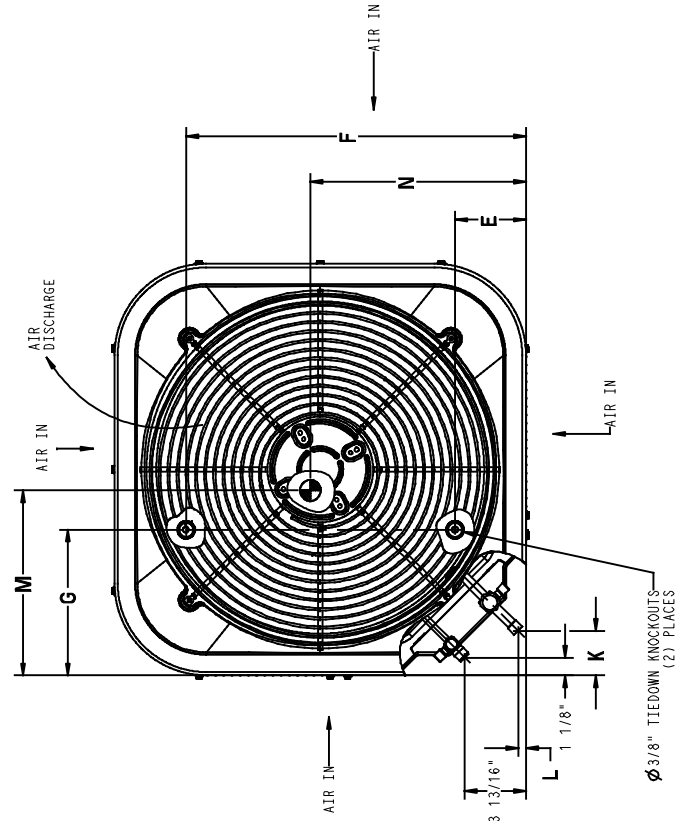
UNIT	SERIES	ELECTRICAL CHARACTERISTICS	A	B	C	D	E	F	G	K	L	M	N	P	OPERATING WEIGHT (lbs)	SHIPPING WEIGHT (lbs)	SHIPPING DIMENSIONS (L x W x H)
25HCC518	0	X 0 0 0	31 3/16"	28 15/16"	3 3/4"	5/8"	6 9/16"	24 11/16"	9 1/8"	2 13/16"	1/2"	16"	15"	14"	169	207	32 5/16" X 35 1/2" X 32 9/16"
25HCC524	0	X 0 0 0	35"	32 5/16"	3 3/4"	5/8"	6 9/16"	28 7/16"	9 1/8"	2 13/16"	1/2"	15 3/4"	16 3/4"	16 1/2"	200	233	36 1/8" X 39 1/4" X 35 15/16"
25HCC530	0	X 0 0 0	35"	32 5/16"	3 3/4"	3/4"	6 9/16"	28 7/16"	9 1/8"	2 13/16"	1/2"	16 1/4"	16"	15 1/2"	196	242	36 1/8" X 39 1/4" X 35 15/16"
25HCC536	0	X 0 0 0	35"	35 3/4"	3 3/4"	3/4"	6 9/16"	28 7/16"	9 1/8"	2 13/16"	1/2"	15 3/4"	16 3/4"	17"	215	257	36 1/8" X 39 1/4" X 39 3/8"
25HCC542	0	X 0 0 0	35"	28 15/16"	3 7/8"	7/8"	6 9/16"	28 7/16"	9 1/8"	2 15/16"	5/8"	17"	16 3/4"	14 3/4"	245	290	36 1/8" X 39 1/4" X 32 9/16"
25HCC548	0	X 0 0 0	35"	28 15/16"	3 7/8"	7/8"	6 9/16"	28 7/16"	9 1/8"	2 15/16"	5/8"	16 3/4"	16 1/4"	14"	260	303	36 1/8" X 39 1/4" X 32 9/16"
25HCC560	0	X 0 0 0	35"	39 1/8"	3 7/8"	7/8"	6 9/16"	28 7/16"	9 1/8"	2 15/16"	5/8"	17 1/4"	16 1/4"	18 1/4"	294	345	36 1/8" X 39 1/4" X 42 3/4"

NOTES:

1. ALLOW 30" CLEARANCE TO SERVICE SIDE OF UNIT, 48" ABOVE UNIT, 6" ON ONE SIDE, 12" ON REMAINING SIDE, AND 24" BETWEEN UNITS FOR PROPER AIRFLOW.
2. MINIMUM OUTDOOR OPERATING AMBIENT IN COOLING MODE IS 35°F, MAX. 125°F.
3. SERIES DESIGNATION IS THE 13TH POSITION OF THE UNIT MODEL NUMBER.
4. CENTER OF GRAVITY 
5. ALL DIMENSIONS ARE IN *INCHES* UNLESS NOTED.

X = YES
0 = NO

208-230-160	230-160	208/230-3-60	460-3-60
-------------	---------	--------------	----------



UNIT SIZE	MINIMUM MOUNTING PAD DIMENSIONS
-	26" X 26"
18	31 1/2" X 31 1/2"
24, 30, 36, 42, 48, 60	35" X 35"


25HCC5

25HCCC5

DIMENSIONS - SI

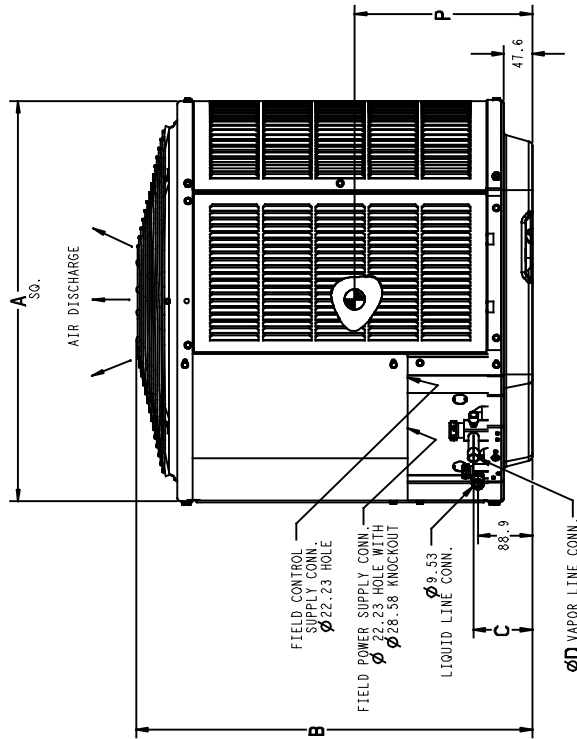
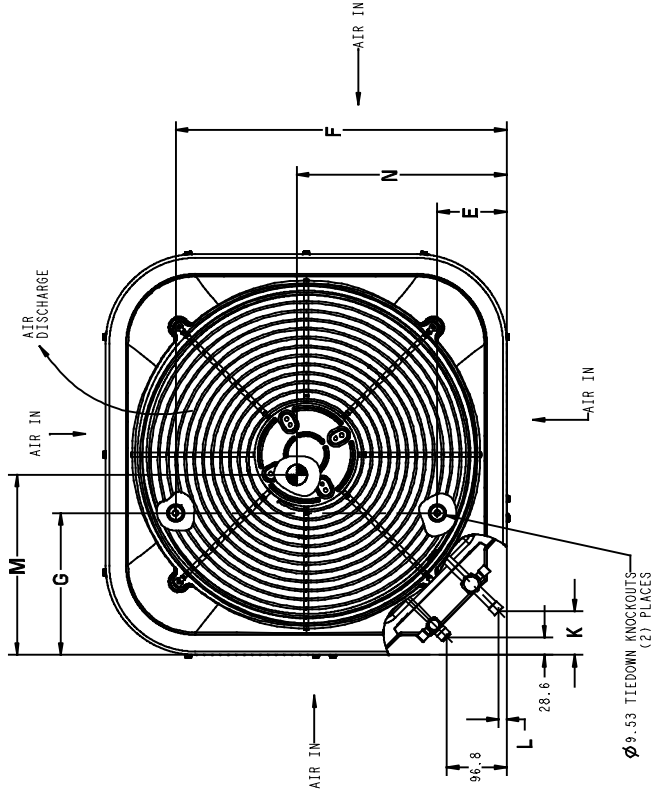
UNIT	SERIES	ELECTRICAL CHARACTERISTICS	DIMENSIONS (L x W x H)													
			A	B	C	D	E	F	G	K	L	M	N	P	OPERATING WEIGHT (Kgs)	SHIPPING WEIGHT (Kgs)
25HCC518	0	X 0 0 0	792.5	734.8	95.6	15.9	166.1	626.3	231.3	70.9	12.8	406.4	381.0	355.6	93.9	821.2 X 901.2 X 826.8
25HCC524	0	X 0 0 0	889.0	821.2	95.6	15.9	166.1	722.8	231.3	70.9	12.8	400.1	425.5	419.1	90.8	917.7 X 997.7 X 913.2
25HCC530	0	X 0 0 0	889.0	821.2	95.6	19.1	166.1	722.8	231.3	70.9	12.8	412.8	406.4	393.7	88.9	917.7 X 997.7 X 913.2
25HCC536	0	X 0 0 0	889.0	907.5	95.6	19.1	166.1	722.8	231.3	70.9	12.8	400.1	425.5	431.8	91.5	917.7 X 997.7 X 999.5
25HCC542	0	X 0 0 0	889.0	734.8	97.9	22.2	166.1	722.8	231.3	74.5	16.3	431.8	425.5	374.7	111.1	917.7 X 997.7 X 826.8
25HCC548	0	X 0 0 0	889.0	734.8	97.9	22.2	166.1	722.8	231.3	74.5	16.3	425.5	412.8	355.6	117.9	917.7 X 997.7 X 826.8
25HCC560	0	X 0 0 0	889.0	993.9	97.9	22.2	166.1	722.8	231.3	74.5	16.3	438.2	412.8	463.6	113.4	917.7 X 997.7 X 1085.9

NOTES:

- ALLOW 762.0 CLEARANCE TO SERVICE SIDE OF UNIT.
1219.2 ABOVE UNIT 152.4 ON ONE SIDE 304.8 ON REMAINING SIDE,
AND 609.6 BETWEEN UNITS FOR PROPER AIRFLOW.
- MINIMUM OUTDOOR OPERATING AMBIENT IN COOLING MODE IS 13°C, MAX. 52°C.
- SERIES DESIGNATION IS THE 13TH POSITION OF THE UNIT MODEL NUMBER.
- CENTER OF GRAVITY 
- ALL DIMENSIONS ARE IN "MM" UNLESS NOTED.

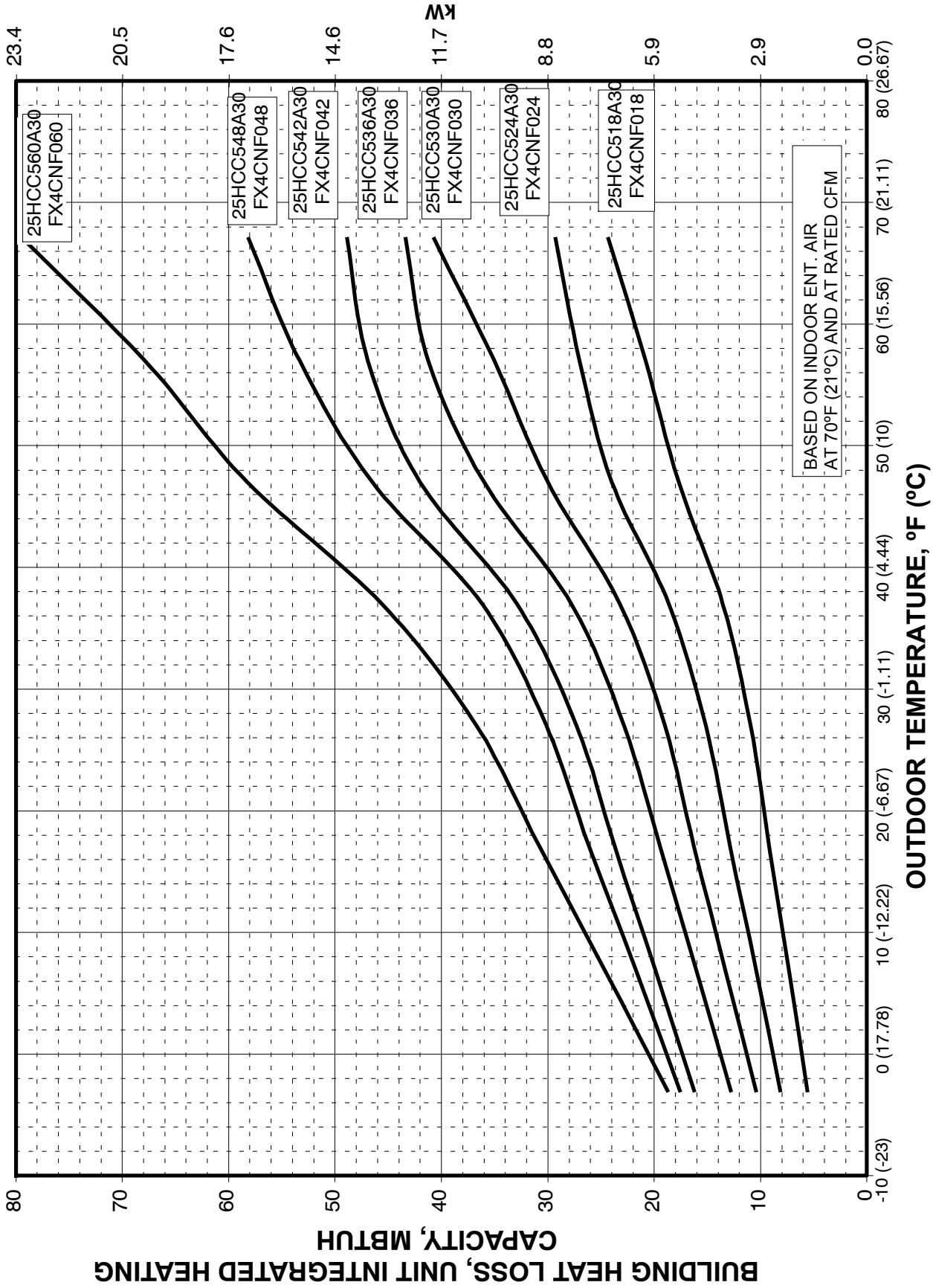
X = YES
0 = NO

460-3-60	208/230-3-60	230-1-60	208-230-1-60
----------	--------------	----------	--------------



UNIT SIZE	MINIMUM MOUNTING PAD DIMENSIONS
-	660.4 X 660.4
18	800.1 X 800.1
24, 30, 36, 42, 48, 60	885.0 X 885.0

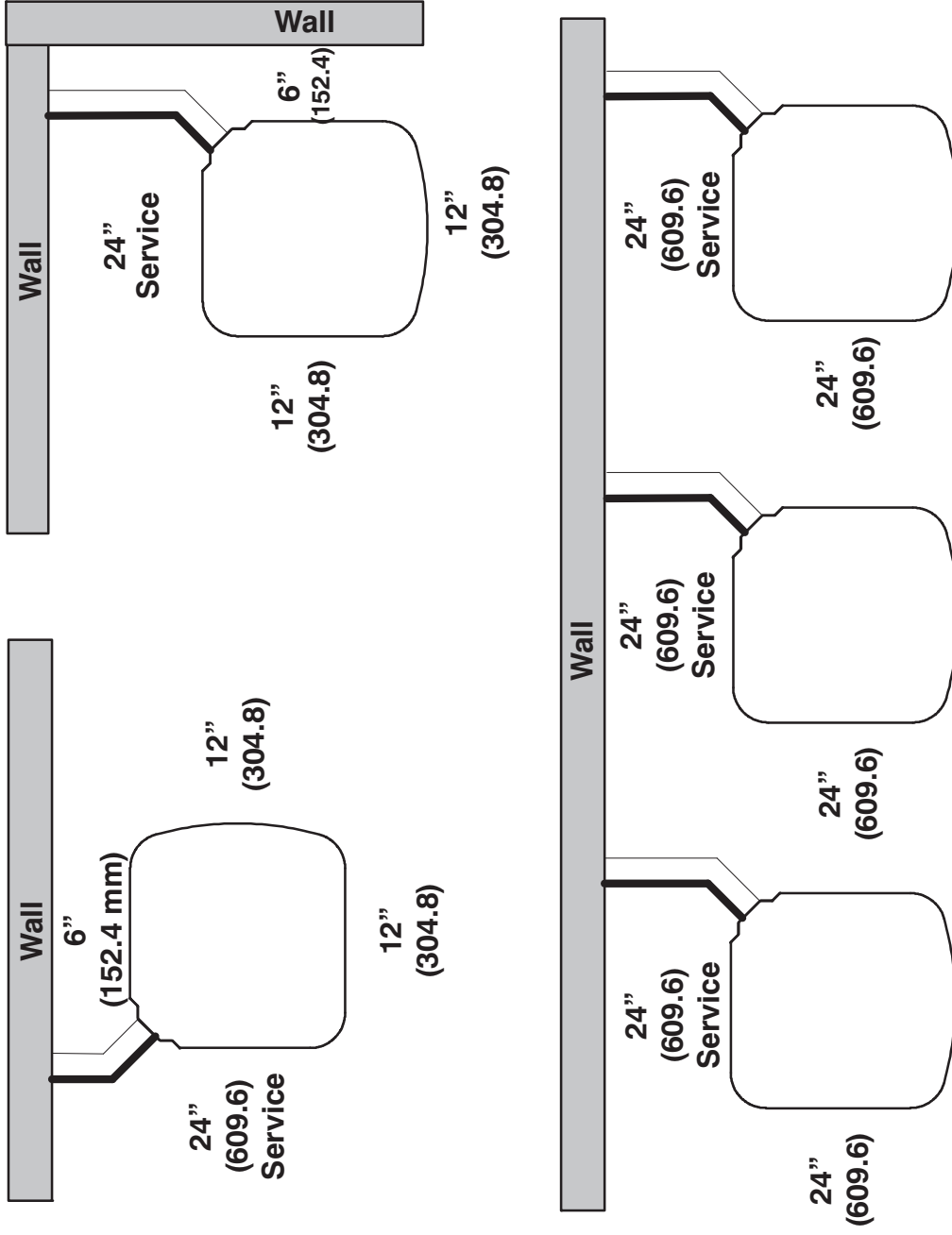
25HCC5 BALANCE POINT WORKSHEET



25HCC5

CLEARANCES

Clearances (various examples)



Note: Numbers in () = mm

IMPORTANT: When installing multiple units in an alcove, roof well, or partially enclosed area, ensure there is adequate ventilation to prevent re-circulation of discharge air.

COMBINATION RATINGS

AHRI Ref. No.	Model Number	Coil Model Number	Furnace Model Number	Cooling Capacity	EER	SEER	High Temp		HSPF	Low Temp	
							E Capacity	E COP		H Capacity	H COP
3676275	25HCC518A**30	1FX4DNF019		17,800	12.6	15.3	17,400	3.88	8.6	10,600	2.56
3675123	25HCC518A**30	CAP**1814A**	58CV(A,X)070-12	17,200	12.0	14.5	17,100	3.56	7.7	10,300	2.44
3675124	25HCC518A**30	CAP**1814A**	58PH*045-08	17,400	12.0	14.5	17,400	3.66	7.9	10,500	2.48
4803754	25HCC518A**30	CAP**1814A**	59*P5A040E14**10	17,100	11.5	14.0	17,200	3.50	7.8	10,400	2.38
3675125	25HCC518A**30	CAP**1814A**+TDR		17,200	11.0	13.0	18,000	3.50	7.7	11,100	2.36
3675126	25HCC518A**30	CAP**2414A**	58CV(A,X)070-12	17,400	12.5	15.0	17,300	3.68	7.9	10,400	2.48
3675127	25HCC518A**30	CAP**2414A**	58PH*045-08	17,600	12.5	15.0	17,600	3.82	8.2	10,600	2.54
4803755	25HCC518A**30	CAP**2414A**	59*P5A040E14**10	17,500	11.8	14.2	17,400	3.62	8.0	10,500	2.44
3675130	25HCC518A**30	CAP**2414A**+TDR		17,400	11.2	13.5	18,000	3.60	7.8	11,200	2.40
3675133	25HCC518A**30	CAP**2417A**	58CV(A,X)090-16	17,400	12.5	15.0	17,300	3.70	8.0	10,400	2.50
3675135	25HCC518A**30	CAP**2417A**	58ME(B,C)060-12	17,800	12.5	15.5	17,600	3.90	8.3	10,600	2.58
3675134	25HCC518A**30	CAP**2417A**	58MEB040-12	18,000	13.0	15.5	17,600	3.98	8.5	10,700	2.62
3675132	25HCC518A**30	CAP**2417A**	58MV(B,C)060-14	17,400	12.5	15.0	17,300	3.70	8.0	10,400	2.48
3675141	25HCC518A**30	CAP**2417A**	58UVB060-14	17,400	12.5	15.0	17,300	3.70	8.0	10,400	2.48
3810597	25HCC518A**30	CAP**2417A**	58VLR105-12	18,000	12.5	15.0	17,600	3.88	8.5	10,600	2.56
3810596	25HCC518A**30	CAP**2417A**	58VMR105-12	17,600	12.5	15.0	17,400	3.74	8.2	10,400	2.50
4803756	25HCC518A**30	CAP**2417A**	59*N*A060V17**14	17,500	12.0	14.5	17,300	3.68	8.0	10,400	2.48
4803757	25HCC518A**30	CAP**2417A**	59*N*A080V17**14	17,500	12.0	14.5	17,200	3.66	8.0	10,400	2.46
4803758	25HCC518A**30	CAP**2417A**	59*P5A040E14**10	17,500	11.8	14.2	17,400	3.64	8.0	10,500	2.44
4194546	25HCC518A**30	CAP**2417A**	OVLAAB036098	17,900	12.5	15.0	17,600	3.82	8.2	10,600	2.54
4194545	25HCC518A**30	CAP**2417A**	OVMAAB036098	18,000	12.5	15.0	17,700	3.88	8.4	10,700	2.56
3675143	25HCC518A**30	CAP**2417A**+TDR		17,400	11.2	13.5	18,000	3.60	7.8	11,200	2.40
3675344	25HCC518A**30	CNPH*2417A**	58CV(A,X)070-12	17,300	12.5	15.0	17,300	3.70	7.9	10,400	2.48
3675345	25HCC518A**30	CNPH*2417A**	58CV(A,X)090-16	17,400	12.5	15.0	17,300	3.74	8.0	10,400	2.50
3675349	25HCC518A**30	CNPH*2417A**	58HDV040-12	18,000	12.2	14.5	18,000	3.92	8.3	11,000	2.54
3675350	25HCC518A**30	CNPH*2417A**	58HDV060-12	18,000	12.2	14.5	18,000	3.94	8.4	10,900	2.56
3675348	25HCC518A**30	CNPH*2417A**	58ME(B,C)060-12	17,600	12.5	15.0	17,500	3.84	8.2	10,500	2.54
3675347	25HCC518A**30	CNPH*2417A**	58MEB040-12	17,800	12.5	15.5	17,600	3.94	8.4	10,600	2.58
3675342	25HCC518A**30	CNPH*2417A**	58MV(B,C)060-14	17,400	12.5	15.0	17,300	3.72	8.0	10,400	2.50
3675343	25HCC518A**30	CNPH*2417A**	58MV(B,C)080-14	17,300	12.5	15.0	17,300	3.70	8.0	10,400	2.48
3675341	25HCC518A**30	CNPH*2417A**	58MVB040-14	17,400	12.5	15.0	17,300	3.72	8.0	10,400	2.50
3675346	25HCC518A**30	CNPH*2417A**	58PH*045-08	17,600	12.5	15.0	17,600	3.82	8.2	10,600	2.52
3810603	25HCC518A**30	CNPH*2417A**	58VLR105-12	18,000	12.5	15.0	17,700	3.92	8.5	10,600	2.56
3810602	25HCC518A**30	CNPH*2417A**	58VMR105-12	17,700	12.5	15.0	17,500	3.78	8.2	10,500	2.52
4803767	25HCC518A**30	CNPH*2417A**	59*N*A060V17**14	17,600	12.0	14.5	17,400	3.70	8.0	10,500	2.48
4803768	25HCC518A**30	CNPH*2417A**	59*N*A080V17**14	17,500	12.0	14.5	17,300	3.68	8.0	10,400	2.48
4803769	25HCC518A**30	CNPH*2417A**	59*P5A040E14**10	17,400	11.8	14.2	17,400	3.64	8.0	10,500	2.44
4194552	25HCC518A**30	CNPH*2417A**	OVLAAB036098	17,900	12.5	15.0	17,700	3.84	8.4	10,600	2.54
4194551	25HCC518A**30	CNPH*2417A**	OVMAAB036098	18,000	12.5	15.0	17,800	3.90	8.5	10,700	2.54
3675375	25HCC518A**30	CNPH*2417A**+TDR		17,400	11.2	13.5	18,000	3.64	7.8	11,200	2.40
3675657	25HCC518A**30	CNPV*1814A**	58CV(A,X)070-12	17,200	12.0	14.5	17,100	3.66	7.7	10,400	2.46
3675658	25HCC518A**30	CNPV*1814A**	58PH*045-08	17,400	12.0	14.5	17,400	3.72	7.9	10,500	2.48
4803759	25HCC518A**30	CNPV*1814A**	59*P5A040E14**10	17,200	11.5	14.0	17,300	3.54	7.8	10,400	2.40
3675659	25HCC518A**30	CNPV*1814A**+TDR		17,200	11.2	13.0	18,000	3.60	7.7	11,100	2.38
3675661	25HCC518A**30	CNPV*1917A**	58CV(A,X)090-16	17,600	12.5	15.0	17,400	3.78	8.1	10,400	2.52
3675663	25HCC518A**30	CNPV*1917A**	58ME(B,C)060-12	18,000	13.0	15.5	17,600	3.96	8.5	10,600	2.60
3675662	25HCC518A**30	CNPV*1917A**	58MEB040-12	18,000	13.0	15.5	17,600	4.06	8.6	10,700	2.64
3675660	25HCC518A**30	CNPV*1917A**	58MV(B,C)060-14	17,500	12.5	15.0	17,400	3.76	8.5	10,400	2.52
3675664	25HCC518A**30	CNPV*1917A**	58UVB060-14	17,500	12.5	15.0	17,400	3.76	8.5	10,400	2.52
3810599	25HCC518A**30	CNPV*1917A**	58VLR105-12	18,000	12.5	15.0	17,700	3.98	8.5	10,600	2.60
3810598	25HCC518A**30	CNPV*1917A**	58VMR105-12	17,800	12.5	15.0	17,500	3.84	8.2	10,500	2.54
4803760	25HCC518A**30	CNPV*1917A**	59*N*A060V17**14	17,700	12.0	14.5	17,500	3.76	8.2	10,500	2.50
4803761	25HCC518A**30	CNPV*1917A**	59*N*A080V17**14	17,600	12.0	14.5	17,400	3.74	8.2	10,400	2.50
4803762	25HCC518A**30	CNPV*1917A**	59*P5A040E14**10	17,600	11.8	14.2	17,600	3.72	8.2	10,600	2.48
4194548	25HCC518A**30	CNPV*1917A**	OVLAAB036098	18,000	12.5	15.0	17,700	3.92	8.5	10,600	2.56
4194547	25HCC518A**30	CNPV*1917A**	OVMAAB036098	18,000	12.5	15.0	17,900	3.96	8.5	10,700	2.58
3675665	25HCC518A**30	CNPV*1917A**+TDR		17,600	11.2	13.0	18,000	3.66	7.9	11,200	2.40
3675666	25HCC518A**30	CNPV*2414A**	58CV(A,X)070-12	17,400	12.5	15.0	17,300	3.70	7.9	10,400	2.48
3675667	25HCC518A**30	CNPV*2414A**	58PH*045-08	17,600	12.5	15.0	17,600	3.82	8.2	10,600	2.52
4803763	25HCC518A**30	CNPV*2414A**	59*P5A040E14**10	17,400	11.8	14.2	17,400	3.64	8.0	10,500	2.44
3675670	25HCC518A**30	CNPV*2414A**+TDR		17,400	11.2	13.5	18,000	3.64	7.8	11,200	2.40
3675673	25HCC518A**30	CNPV*2417A**	58CV(A,X)090-16	17,400	12.5	15.0	17,300	3.74	8.0	10,400	2.50
4194543	25HCC518A**30	CNPV*2417A**	58HDV040-12	18,000	12.0	14.5	18,000	3.92	8.5	11,000	2.54
4194544	25HCC518A**30	CNPV*2417A**	58HDV060-12	18,000	12.5	14.5	18,000	3.94	8.5	10,900	2.56
3675675	25HCC518A**30	CNPV*2417A**	58ME(B,C)060-12	17,600	12.5	15.0	17,500	3.84	8.2	10,500	2.54
3675674	25HCC518A**30	CNPV*2417A**	58MEB040-12	17,800	12.5	15.5	17,600	3.94	8.4	10,600	2.58
3675672	25HCC518A**30	CNPV*2417A**	58MV(B,C)060-14	17,400	12.5	15.0	17,300	3.72	8.0	10,400	2.50
3675681	25HCC518A**30	CNPV*2417A**	58UVB060-14	17,400	12.5	15.0	17,300	3.72	8.0	10,400	2.50
3810601	25HCC518A**30	CNPV*2417A**	58VLR105-12	18,000	12.5	15.0	17,700	3.92	8.5	10,600	2.56
3810600	25HCC518A**30	CNPV*2417A**	58VMR105-12	17,700	12.5	15.0	17,500	3.78	8.2	10,500	2.52
4803764	25HCC518A**30	CNPV*2417A**	59*N*A060V17**14	17,600	12.0	14.5	17,400	3.70	8.0	10,500	2.48
4803765	25HCC518A**30	CNPV*2417A**	59*N*A080V17**14	17,500	12.0	14.5	17,300	3.68	8.0	10,400	2.48
4803766	25HCC518A**30	CNPV*2417A**	59*P5A040E14**10	17,400	11.8	14.2	17,400	3.64	8.0	10,500	2.44
4194550	25HCC518A**30	CNPV*2417A**	OVLAAB036098	17,900	12.5	15.0	17,700	3.84	8.4	10,600	2.54
4194549	25HCC518A**30	CNPV*2417A**	OVMAAB036098	18,000	12.5	15.0	17,800	3.90	8.5	10,700	2.54
3675683	25HCC518A**30	CNPV*2417A**+TDR		17,400	11.2	13.5	18,000	3.64	7.8	11,200	2.40
3675914	25HCC518A**30	CSPH*2412A**	58CV(A,X)070-12	17,400	12.5	15.0	17,300	3.70	7.9	10,400	2.48
3675915	25HCC518A**30	CSPH*2412A**	58CV(A,X)090-16	17,400	12.5	15.0	17,300	3.72	8.0	10,500	2.50
3675919	25HCC518A**30	CSPH*2412A**	58HDV040-12	18,000	12.2	14.5	18,000	3.92	8.3	11,000	2.54

25HCC5

See notes on pg. 36

COMBINATION RATINGS CONTINUED

AHRI Ref. No.	Model Number	Coil Model Number	Furnace Model Number	Cooling Capacity	EER	SEER	High Temp		HSPF	Low Temp	
							E Capacity	E COP		H Capacity	H COP
3675920	25HCC518A**30	CSPH*2412A**	58HDV060--12	18,000	12.2	14.5	18,000	3.92	8.4	10,900	2.54
3675918	25HCC518A**30	CSPH*2412A**	58ME(B,C)060-12	17,600	12.5	15.0	17,300	3.76	8.1	10,400	2.52
3675917	25HCC518A**30	CSPH*2412A**	58MEB040-12	17,800	12.5	15.5	17,600	3.88	8.3	10,600	2.56
3675912	25HCC518A**30	CSPH*2412A**	58MV(B,C)060-14	17,400	12.5	15.0	17,300	3.72	8.0	10,500	2.50
3675913	25HCC518A**30	CSPH*2412A**	58MV(B,C)080-14	17,500	12.5	15.0	17,300	3.70	8.0	10,400	2.48
3675911	25HCC518A**30	CSPH*2412A**	58MVB040-14	17,500	12.5	15.0	17,300	3.72	8.0	10,500	2.50
3675916	25HCC518A**30	CSPH*2412A**	58PH*045-08	17,600	12.5	15.0	17,600	3.80	8.1	10,600	2.52
3810605	25HCC518A**30	CSPH*2412A**	58VLR105-12	18,000	12.5	15.0	17,700	3.92	8.5	10,600	2.56
3810604	25HCC518A**30	CSPH*2412A**	58VMR105-12	17,800	12.5	15.0	17,500	3.76	8.2	10,500	2.50
4803770	25HCC518A**30	CSPH*2412A**	59*N*A060V17**14	17,700	12.0	14.5	17,400	3.70	8.0	10,500	2.48
4803771	25HCC518A**30	CSPH*2412A**	59*N*A080V17**14	17,600	12.0	14.5	17,300	3.68	8.0	10,400	2.48
4803772	25HCC518A**30	CSPH*2412A**	59*P5A040E14**10	17,500	11.8	14.2	17,400	3.60	7.8	10,500	2.42
4194554	25HCC518A**30	CSPH*2412A**	OVLAAB036098	18,000	12.5	15.0	17,700	3.84	8.4	10,700	2.54
4194553	25HCC518A**30	CSPH*2412A**	OVMAAB036098	18,000	12.5	15.0	17,900	3.90	8.5	10,800	2.54
3675945	25HCC518A**30	CSPH*2412A**+TDR		17,400	11.2	13.5	18,000	3.64	7.8	11,200	2.40
3810592	25HCC518A**30	FB4CNF018		17,600	12.0	14.0	17,600	3.74	8.2	10,600	2.50
3693228	25HCC518A**30	FB4CNF018+TXV		17,600	12.5	15.0	17,600	3.76	8.1	10,600	2.50
3810593	25HCC518A**30	FB4CNF024		17,600	12.0	14.0	17,600	3.74	8.2	10,600	2.50
3693229	25HCC518A**30	FB4CNF024+TXV		17,500	12.5	15.0	17,600	3.74	8.1	10,600	2.50
3676201	25HCC518A**30	FE4ANF002+UI		17,700	12.5	15.5	17,400	3.82	8.2	10,400	2.54
3676205	25HCC518A**30	FF1ENP018		17,200	11.2	13.0	18,000	3.50	7.7	11,100	2.34
3676206	25HCC518A**30	FF1ENP019		17,500	12.0	14.5	17,600	3.74	8.0	10,700	2.48
3676207	25HCC518A**30	FF1ENP024		17,400	11.2	13.0	18,000	3.56	7.7	11,100	2.38
3676209	25HCC518A**30	FF1ENP025		17,800	12.5	15.0	17,600	3.84	8.5	10,600	2.54
3676248	25HCC518A**30	FV4CNF002		17,700	13.0	15.5	17,400	3.82	8.2	10,400	2.54
3676276	25HCC518A**30	FX4DNF025		18,000	12.6	15.0	17,400	3.88	8.3	10,600	2.56
3810594	25HCC518A**30	FY5BNF018		17,500	11.5	13.5	17,800	3.62	8.0	10,900	2.42
3693241	25HCC518A**30	FY5BNF018+TXV		17,400	11.5	14.0	17,900	3.62	7.8	10,900	2.42
3810595	25HCC518A**30	FY5BNF024		17,600	11.5	13.5	17,900	3.66	8.0	11,000	2.44
3693242	25HCC518A**30	FY5BNF024+TXV		17,400	11.5	14.0	17,900	3.66	7.8	11,000	2.44
3676277	25HCC524A**30	FX4DNF025		24,000	12.5	15.3	24,000	3.94	8.7	14,800	2.70
3675128	25HCC524A**30	CAP**2414A**	58CV(A,X)070-12	23,400	12.5	15.0	24,000	3.76	8.5	14,200	2.60
3675129	25HCC524A**30	CAP**2414A**	58PH*045-08	23,400	12.2	15.0	24,000	3.82	8.5	14,600	2.64
4803773	25HCC524A**30	CAP**2414A**	59*P5A040E14**10	23,600	11.4	13.7	24,000	3.72	8.5	15,100	2.56
3675131	25HCC524A**30	CAP**2414A**+TDR		23,400	11.2	13.5	24,000	3.70	8.3	15,300	2.54
3675137	25HCC524A**30	CAP**2417A**	58CV(A,X)090-16	23,400	12.5	15.5	24,000	3.80	8.5	14,400	2.66
4194555	25HCC524A**30	CAP**2417A**	58HDV040--12	23,800	12.0	14.5	24,000	3.84	8.5	14,800	2.64
4194556	25HCC524A**30	CAP**2417A**	58HDV060--12	24,000	12.0	14.5	24,000	3.80	8.5	14,900	2.66
3675139	25HCC524A**30	CAP**2417A**	58ME(B,C)060-12	23,400	12.5	15.5	24,000	3.98	8.8	14,600	2.72
3675140	25HCC524A**30	CAP**2417A**	58ME(B,C)080-12	23,400	12.5	15.5	24,000	3.94	8.7	14,600	2.70
3675138	25HCC524A**30	CAP**2417A**	58MEB040-12	23,400	12.5	15.5	24,000	3.96	8.7	14,600	2.72
3675136	25HCC524A**30	CAP**2417A**	58MV(B,C)060-14	23,400	12.5	15.5	24,000	3.88	8.6	14,600	2.68
3675142	25HCC524A**30	CAP**2417A**	58UVB060-14	23,400	12.5	15.5	24,000	3.88	8.6	14,600	2.68
3810611	25HCC524A**30	CAP**2417A**	58VLR105-12	23,800	12.5	15.0	24,000	3.86	8.5	14,500	2.68
3810610	25HCC524A**30	CAP**2417A**	58VMR105-12	23,600	12.5	15.0	24,000	3.76	8.5	14,200	2.60
4803774	25HCC524A**30	CAP**2417A**	59*N*A060V17**14	23,600	12.4	15.0	24,000	3.74	8.5	14,200	2.56
4803775	25HCC524A**30	CAP**2417A**	59*N*A080V17**14	23,400	12.4	15.0	24,000	3.72	8.5	14,000	2.56
4803776	25HCC524A**30	CAP**2417A**	59*P5A040E14**10	23,800	11.4	13.7	24,000	3.72	8.5	15,100	2.56
4803777	25HCC524A**30	CAP**2417A**	59*P5A060E17**14	23,600	12.5	15.0	24,000	3.78	8.5	14,200	2.58
4194566	25HCC524A**30	CAP**2417A**	OVLAAB036098	23,800	12.5	15.0	24,000	3.84	8.5	14,600	2.66
4194565	25HCC524A**30	CAP**2417A**	OVMAAB036098	23,800	12.0	15.0	24,000	3.84	8.5	14,600	2.66
3675144	25HCC524A**30	CAP**2417A**+TDR		23,400	11.2	13.5	24,000	3.70	8.3	15,300	2.54
3675145	25HCC524A**30	CAP**3014A**	58CV(A,X)070-12	23,400	12.5	15.0	24,000	3.78	8.5	14,500	2.64
3675146	25HCC524A**30	CAP**3014A**	58PH*045-08	23,400	12.5	15.0	24,000	3.86	8.6	14,700	2.68
4803778	25HCC524A**30	CAP**3014A**	59*P5A040E14**10	23,800	11.5	14.0	24,000	3.74	8.5	15,200	2.58
3675148	25HCC524A**30	CAP**3014A**+TDR		23,400	11.2	13.5	24,000	3.72	8.3	15,300	2.56
3675151	25HCC524A**30	CAP**3017A**	58CV(A,X)090-16	23,400	12.5	15.5	24,000	3.84	8.5	14,400	2.68
4194557	25HCC524A**30	CAP**3017A**	58HDV040--12	24,000	12.0	15.0	24,000	3.88	8.5	14,800	2.68
4194558	25HCC524A**30	CAP**3017A**	58HDV060--12	24,000	12.5	15.0	24,000	3.94	9.0	14,900	2.70
3675153	25HCC524A**30	CAP**3017A**	58ME(B,C)060-12	23,400	12.5	15.5	24,000	4.02	9.0	14,700	2.76
3675154	25HCC524A**30	CAP**3017A**	58ME(B,C)080-12	23,400	12.5	15.5	24,000	3.98	9.0	14,600	2.74
3675152	25HCC524A**30	CAP**3017A**	58MEB040-12	23,400	12.5	15.5	24,000	4.02	9.0	14,700	2.76
3675150	25HCC524A**30	CAP**3017A**	58MV(B,C)060-14	23,400	12.5	15.5	24,000	3.92	9.0	14,600	2.72
3675162	25HCC524A**30	CAP**3017A**	58UVB060-14	23,400	12.5	15.5	24,000	3.92	9.0	14,600	2.72
3810613	25HCC524A**30	CAP**3017A**	58VLR105-12	24,000	12.5	15.0	24,000	3.90	8.5	14,600	2.70
3810612	25HCC524A**30	CAP**3017A**	58VMR105-12	23,600	12.5	15.0	24,000	3.80	8.5	14,400	2.66
4803779	25HCC524A**30	CAP**3017A**	59*N*A060V17**14	23,800	12.5	15.2	24,000	3.78	8.5	14,200	2.60
4803780	25HCC524A**30	CAP**3017A**	59*N*A080V17**14	23,600	12.5	15.2	24,000	3.76	8.5	14,100	2.58
4803781	25HCC524A**30	CAP**3017A**	59*P5A040E14**10	24,000	11.5	14.0	24,000	3.76	8.5	15,200	2.58
4803782	25HCC524A**30	CAP**3017A**	59*P5A060E17**14	23,800	12.5	15.2	24,000	3.84	8.5	14,300	2.62
4194568	25HCC524A**30	CAP**3017A**	OVLAAB036098	24,000	12.5	15.0	24,000	3.88	8.5	14,600	2.70
4194567	25HCC524A**30	CAP**3017A**	OVMAAB036098	24,000	12.5	15.0	24,000	3.88	8.5	14,700	2.68
3675164	25HCC524A**30	CAP**3017A**+TDR		23,400	11.2	13.5	24,000	3.72	8.3	15,300	2.56
3675189	25HCC524A**30	CAP**3619A**	58HDV040--12	24,000	12.5	15.0	24,000	3.92	8.7	14,800	2.68
3675190	25HCC524A**30	CAP**3619A**	58HDV060--12	24,000	12.5	15.0	24,000	3.98	8.8	14,900	2.72
3675357	25HCC524A**30	CNPH*2417A**	58CV(A,X)070-12	23,400	12.5	15.0	24,000	3.82	8.5	14,500	2.64
3675358	25HCC524A**30	CNPH*2417A**	58CV(A,X)090-16	23,400	12.5	15.0	24,000	3.86	8.5	14,500	2.66
3675359	25HCC524A**30	CNPH*2417A**	58CV(A,X)110-20	23,400	12.5	15.0	24,000	3.86	8.5	14,500	2.64

See notes on pg. 36

COMBINATION RATINGS CONTINUED

AHRI Ref. No.	Model Number	Coil Model Number	Furnace Model Number	Cooling Capacity	EER	SEER	High Temp		HSPF	Low Temp	
							E Capacity	E COP		H Capacity	H COP
3675360	25HCC524A**30	CNPH*2417A**	58CV(A,X)135-22	23,400	12.5	15.0	24,000	3.86	8.5	14,500	2.66
3675361	25HCC524A**30	CNPH*2417A**	58CV(A,X)155-22	23,400	12.5	15.0	24,000	3.86	8.5	14,500	2.66
3675366	25HCC524A**30	CNPH*2417A**	58HDV040--12	23,400	12.2	14.5	24,000	3.86	8.5	14,800	2.62
3675367	25HCC524A**30	CNPH*2417A**	58HDV060--12	23,400	12.2	14.5	24,000	3.90	8.5	14,800	2.64
3675364	25HCC524A**30	CNPH*2417A**	58ME(B,C)098-12	23,400	12.5	15.0	24,000	3.98	8.7	14,600	2.70
3675365	25HCC524A**30	CNPH*2417A**	58ME(B,C)080-12	23,400	12.5	15.0	24,000	3.94	8.7	14,600	2.68
3675363	25HCC524A**30	CNPH*2417A**	58MEB040-12	23,400	12.5	15.0	24,000	3.96	8.7	14,600	2.70
3675352	25HCC524A**30	CNPH*2417A**	58MV(B,C)060-14	23,400	12.5	15.0	24,000	3.94	8.6	14,600	2.68
3675353	25HCC524A**30	CNPH*2417A**	58MV(B,C)080-14	23,400	12.5	15.0	24,000	3.84	8.5	14,500	2.64
3675354	25HCC524A**30	CNPH*2417A**	58MV(B,C)080-20	23,200	12.5	15.0	24,000	3.78	8.5	14,100	2.58
3675355	25HCC524A**30	CNPH*2417A**	58MV(B,C)100-20	23,400	12.5	15.0	24,000	3.86	8.5	14,500	2.66
3675356	25HCC524A**30	CNPH*2417A**	58MV(B,C)120-20	23,400	12.5	15.0	24,000	3.90	8.6	14,500	2.68
3675351	25HCC524A**30	CNPH*2417A**	58MVB040-14	23,400	12.2	15.0	24,000	3.84	8.5	14,600	2.64
3675362	25HCC524A**30	CNPH*2417A**	58PH*045-08	23,400	12.0	15.0	24,000	3.86	8.5	14,600	2.64
3810621	25HCC524A**30	CNPH*2417A**	58VLR105-12	23,800	12.5	15.0	24,000	3.92	8.5	14,600	2.68
3810620	25HCC524A**30	CNPH*2417A**	58VMR105-12	23,400	12.0	15.0	24,000	3.82	8.5	14,500	2.62
4803797	25HCC524A**30	CNPH*2417A**	59*N*A060V17**14	23,400	12.0	14.5	24,000	3.80	8.5	14,300	2.58
4803798	25HCC524A**30	CNPH*2417A**	59*N*A080V17**14	23,400	12.4	15.0	24,000	3.78	8.5	14,100	2.56
4803799	25HCC524A**30	CNPH*2417A**	59*N*A100V21**20	23,800	12.4	15.0	24,000	3.90	8.5	14,400	2.62
4803800	25HCC524A**30	CNPH*2417A**	59*P5A040E14**10	23,600	11.4	13.7	24,000	3.76	8.5	15,100	2.56
4803801	25HCC524A**30	CNPH*2417A**	59*P5A060E17**14	23,400	12.3	15.0	24,000	3.80	8.5	14,100	2.58
4194576	25HCC524A**30	CNPH*2417A**	OVLAAB036098	23,800	12.0	15.0	24,000	3.90	8.5	14,700	2.66
4194575	25HCC524A**30	CNPH*2417A**	OVMAAB036098	23,800	12.0	15.0	24,000	3.88	8.5	14,700	2.66
3675376	25HCC524A**30	CNPH*2417A**+TDR		23,400	11.2	13.5	24,000	3.78	8.3	15,300	2.56
3675383	25HCC524A**30	CNPH*3017A**	58CV(A,X)070-12	23,400	12.5	15.0	24,000	3.80	8.5	14,500	2.66
3675384	25HCC524A**30	CNPH*3017A**	58CV(A,X)090-16	23,400	12.5	15.5	24,000	3.84	8.5	14,400	2.68
3675385	25HCC524A**30	CNPH*3017A**	58CV(A,X)110-20	23,400	12.5	15.5	24,000	3.84	8.5	14,500	2.68
3675386	25HCC524A**30	CNPH*3017A**	58CV(A,X)135-22	23,400	12.5	15.5	24,000	3.84	8.5	14,500	2.68
3675387	25HCC524A**30	CNPH*3017A**	58CV(A,X)155-22	23,400	12.5	15.5	24,000	3.86	8.5	14,500	2.68
3675392	25HCC524A**30	CNPH*3017A**	58HDV040--12	23,600	12.2	14.5	24,000	3.88	8.5	14,800	2.68
3675393	25HCC524A**30	CNPH*3017A**	58HDV060--12	23,600	12.2	14.5	24,000	3.94	8.5	14,900	2.70
3675390	25HCC524A**30	CNPH*3017A**	58ME(B,C)060-12	23,400	12.5	15.5	24,000	4.02	9.0	14,700	2.76
3675391	25HCC524A**30	CNPH*3017A**	58ME(B,C)080-12	23,400	12.5	15.5	24,000	3.98	9.0	14,600	2.74
3675389	25HCC524A**30	CNPH*3017A**	58MEB040-12	23,400	12.5	15.5	24,000	4.02	9.0	14,700	2.76
3675378	25HCC524A**30	CNPH*3017A**	58MV(B,C)060-14	23,400	12.5	15.5	24,000	3.92	9.0	14,600	2.72
3675379	25HCC524A**30	CNPH*3017A**	58MV(B,C)080-14	23,400	12.5	15.5	24,000	3.82	8.5	14,400	2.66
3675380	25HCC524A**30	CNPH*3017A**	58MV(B,C)080-20	23,400	12.5	15.0	24,000	3.76	8.5	14,100	2.60
3675381	25HCC524A**30	CNPH*3017A**	58MV(B,C)100-20	23,400	12.5	15.5	24,000	3.84	8.5	14,400	2.68
3675382	25HCC524A**30	CNPH*3017A**	58MV(B,C)120-20	23,400	12.5	15.5	24,000	3.88	8.6	14,500	2.70
3675377	25HCC524A**30	CNPH*3017A**	58MVB040-14	23,400	12.5	15.0	24,000	3.82	8.5	14,500	2.66
3675388	25HCC524A**30	CNPH*3017A**	58PH*045-08	23,400	12.5	15.0	24,000	3.90	8.5	14,700	2.68
3810623	25HCC524A**30	CNPH*3017A**	58VLR105-12	24,000	12.5	15.0	24,000	3.90	8.5	14,600	2.70
3810622	25HCC524A**30	CNPH*3017A**	58VMR105-12	23,800	12.5	15.0	24,000	3.80	8.5	14,400	2.66
4803802	25HCC524A**30	CNPH*3017A**	59*N*A060V17**14	23,800	12.5	15.2	24,000	3.78	8.5	14,200	2.60
4803803	25HCC524A**30	CNPH*3017A**	59*N*A080V17**14	23,600	12.5	15.2	24,000	3.76	8.5	14,100	2.58
4803804	25HCC524A**30	CNPH*3017A**	59*N*A100V21**20	24,000	12.5	15.2	24,000	3.88	8.5	14,400	2.64
4803805	25HCC524A**30	CNPH*3017A**	59*N*A120V24**22	24,000	12.5	15.2	24,000	3.86	8.5	14,300	2.64
4803806	25HCC524A**30	CNPH*3017A**	59*P5A040E14**10	24,000	11.5	14.0	24,000	3.76	8.5	15,200	2.58
4803807	25HCC524A**30	CNPH*3017A**	59*P5A060E17**14	23,800	12.5	15.2	24,000	3.84	8.5	14,300	2.62
4194578	25HCC524A**30	CNPH*3017A**	OVLAAB036098	24,000	12.5	15.0	24,000	3.90	8.5	14,600	2.70
4194577	25HCC524A**30	CNPH*3017A**	OVMAAB036098	24,000	12.5	15.0	24,000	3.88	8.5	14,700	2.68
3675423	25HCC524A**30	CNPH*3017A**+TDR		23,400	11.2	13.5	24,000	3.74	8.3	15,300	2.56
3675425	25HCC524A**30	CNPH*3117A**	58HDV040--12	24,000	12.5	15.0	24,000	4.06	8.8	14,900	2.74
3675426	25HCC524A**30	CNPH*3117A**	58HDV060--12	24,000	12.5	15.0	24,000	4.16	8.8	15,000	2.76
3810625	25HCC524A**30	CNPH*3117A**	58VLR105-12	24,000	12.5	15.0	24,000	4.08	8.5	14,700	2.76
3810624	25HCC524A**30	CNPH*3117A**	58VMR105-12	24,000	12.5	15.0	24,000	3.98	8.5	14,500	2.72
4803808	25HCC524A**30	CNPH*3117A**	59*N*A060V17**14	24,000	12.7	15.2	24,000	3.94	8.8	14,400	2.66
4803809	25HCC524A**30	CNPH*3117A**	59*N*A080V17**14	24,000	12.7	15.5	24,000	3.92	8.8	14,200	2.66
4803810	25HCC524A**30	CNPH*3117A**	59*N*A100V21**20	24,000	12.7	15.5	24,000	4.04	9.0	14,700	2.74
4803811	25HCC524A**30	CNPH*3117A**	59*N*A120V24**22	24,000	12.7	15.5	24,000	4.02	9.0	14,600	2.72
4803812	25HCC524A**30	CNPH*3117A**	59*P5A040E14**10	24,000	11.8	14.2	24,000	3.94	8.8	15,300	2.64
4803813	25HCC524A**30	CNPH*3117A**	59*P5A060E17**14	24,000	12.7	15.2	24,000	4.00	9.0	14,700	2.72
4194580	25HCC524A**30	CNPH*3117A**	OVLAAB036098	24,000	12.5	15.0	24,000	4.06	9.0	14,700	2.76
4194579	25HCC524A**30	CNPH*3117A**	OVMAAB036098	24,000	12.5	15.0	24,000	4.06	9.0	14,800	2.74
3675668	25HCC524A**30	CNPH*2414A**	58CV(A,X)070-12	23,400	12.5	15.0	24,000	3.82	8.5	14,500	2.64
3675669	25HCC524A**30	CNPH*2414A**	58PH*045-08	23,400	12.2	15.0	24,000	3.86	8.5	14,600	2.64
4803783	25HCC524A**30	CNPH*2414A**	59*P5A040E14**10	23,600	11.4	13.7	24,000	3.76	8.5	15,100	2.56
3675671	25HCC524A**30	CNPH*2414A**+TDR		23,400	11.2	13.5	24,000	3.78	8.3	15,300	2.56
3675677	25HCC524A**30	CNPH*2417A**	58CV(A,X)090-16	23,400	12.5	15.0	24,000	3.86	8.5	14,500	2.66
4194559	25HCC524A**30	CNPH*2417A**	58HDV040--12	23,600	12.0	14.5	24,000	3.86	8.5	14,800	2.62
4194560	25HCC524A**30	CNPH*2417A**	58HDV060--12	23,800	12.0	14.5	24,000	3.90	8.5	14,800	2.64
3675679	25HCC524A**30	CNPH*2417A**	58ME(B,C)060-12	23,400	12.5	15.0	24,000	3.98	8.7	14,600	2.70
3675680	25HCC524A**30	CNPH*2417A**	58ME(B,C)080-12	23,400	12.5	15.0	24,000	3.94	8.7	14,600	2.68
3675678	25HCC524A**30	CNPH*2417A**	58MEB040-12	23,400	12.5	15.0	24,000	3.96	8.7	14,600	2.70
3675676	25HCC524A**30	CNPH*2417A**	58MV(B,C)060-14	23,400	12.5	15.0	24,000	3.94	8.6	14,600	2.68
3675682	25HCC524A**30	CNPH*2417A**	58VLR105-12	23,400	12.5	15.0	24,000	3.94	8.6	14,600	2.68
3810615	25HCC524A**30	CNPH*2417A**	58VLR105-12	23,800	12.5	15.0	24,000	3.92	8.5	14,600	2.68
3810614	25HCC524A**30	CNPH*2417A**	58VMR105-12	23,400	12.0	15.0	24,000	3.82	8.5	14,500	2.62
4803784	25HCC524A**30	CNPH*2417A**	59*N*A060V17**14	23,400	12.0	14.5	24,000	3.80	8.5	14,300	2.58

25HCC5

See notes on pg. 36

COMBINATION RATINGS CONTINUED

AHRI Ref. No.	Model Number	Coil Model Number	Furnace Model Number	Cooling Capacity	EER	SEER	High Temp		HSPF	Low Temp	
							E Capacity	E COP		H Capacity	H COP
4803785	25HCC524A**30	CNPV*2417A**	59*N*A080V17**14	23,400	12.4	15.0	24,000	3.78	8.5	14,100	2.56
4803786	25HCC524A**30	CNPV*2417A**	59*P5A040E14**10	23,600	11.4	13.7	24,000	3.76	8.5	15,100	2.56
4803787	25HCC524A**30	CNPV*2417A**	59*P5A060E17**14	23,400	12.3	15.0	24,000	3.80	8.5	14,100	2.58
4194570	25HCC524A**30	CNPV*2417A**	OVLAAB036098	23,800	12.0	15.0	24,000	3.90	8.5	14,700	2.66
4194569	25HCC524A**30	CNPV*2417A**	OVMAAB036098	23,800	12.0	15.0	24,000	3.88	8.5	14,700	2.66
3675684	25HCC524A**30	CNPV*2417A**+TDR		23,400	11.2	13.5	24,000	3.78	8.3	15,300	2.56
3675685	25HCC524A**30	CNPV*3014A**	58CV(A,X)070-12	23,400	12.5	15.0	24,000	3.80	8.5	14,500	2.66
3675686	25HCC524A**30	CNPV*3014A**	58PH*045-08	23,400	12.5	15.0	24,000	3.84	8.5	14,700	2.66
4803788	25HCC524A**30	CNPV*3014A**	59*P5A040E14**10	23,800	11.5	14.0	24,000	3.74	8.5	15,200	2.58
3675688	25HCC524A**30	CNPV*3014A**+TDR		23,400	11.2	13.5	24,000	3.74	8.3	15,300	2.56
3675691	25HCC524A**30	CNPV*3017A**	58CV(A,X)090-16	23,400	12.5	15.5	24,000	3.84	8.5	14,400	2.68
4194561	25HCC524A**30	CNPV*3017A**	58HDV040--12	24,000	12.0	15.0	24,000	3.88	8.5	14,800	2.68
4194562	25HCC524A**30	CNPV*3017A**	58HDV060--12	24,000	12.0	15.0	24,000	3.94	9.0	14,900	2.70
3675693	25HCC524A**30	CNPV*3017A**	58ME(B,C)060-12	23,400	12.5	15.5	24,000	4.02	9.0	14,700	2.76
3675694	25HCC524A**30	CNPV*3017A**	58ME(B,C)080-12	23,400	12.5	15.5	24,000	3.98	9.0	14,600	2.74
3675692	25HCC524A**30	CNPV*3017A**	58MEB040-12	23,400	12.5	15.5	24,000	4.02	9.0	14,700	2.76
3675690	25HCC524A**30	CNPV*3017A**	58MV(B,C)060-14	23,400	12.5	15.5	24,000	3.92	9.0	14,600	2.72
3675702	25HCC524A**30	CNPV*3017A**	58UVB060-14	23,400	12.5	15.5	24,000	3.92	9.0	14,600	2.72
3810617	25HCC524A**30	CNPV*3017A**	58VLR105-12	24,000	12.5	15.0	24,000	3.90	8.5	14,600	2.70
3810616	25HCC524A**30	CNPV*3017A**	58VMR105-12	23,800	12.5	15.0	24,000	3.80	8.5	14,400	2.66
4803789	25HCC524A**30	CNPV*3017A**	59*N*A060V17**14	23,800	12.5	15.2	24,000	3.78	8.5	14,200	2.60
4803790	25HCC524A**30	CNPV*3017A**	59*N*A080V17**14	23,600	12.5	15.2	24,000	3.76	8.5	14,100	2.58
4803791	25HCC524A**30	CNPV*3017A**	59*P5A040E14**10	24,000	11.5	14.0	24,000	3.76	8.5	15,200	2.58
4803792	25HCC524A**30	CNPV*3017A**	59*P5A060E17**14	23,800	12.5	15.2	24,000	3.84	8.5	14,300	2.62
4194572	25HCC524A**30	CNPV*3017A**	OVLAAB036098	24,000	12.5	15.0	24,000	3.90	8.5	14,600	2.70
4194571	25HCC524A**30	CNPV*3017A**	OVMAAB036098	24,000	12.5	15.0	24,000	3.88	8.5	14,700	2.68
3675704	25HCC524A**30	CNPV*3017A**+TDR		23,400	11.2	13.5	24,000	3.74	8.3	15,300	2.56
3675708	25HCC524A**30	CNPV*3117A**	58CV(A,X)090-16	23,400	12.5	15.5	24,000	4.02	8.8	14,500	2.74
4194563	25HCC524A**30	CNPV*3117A**	58HDV040--12	24,000	12.5	15.0	24,000	4.06	9.0	14,900	2.74
4194564	25HCC524A**30	CNPV*3117A**	58HDV060--12	24,000	12.5	15.0	24,000	4.16	9.0	15,000	2.76
3675710	25HCC524A**30	CNPV*3117A**	58ME(B,C)060-12	23,400	13.0	15.5	24,000	4.24	9.0	14,800	2.82
3675711	25HCC524A**30	CNPV*3117A**	58ME(B,C)080-12	23,400	13.0	15.5	24,000	4.18	9.0	14,700	2.80
3675709	25HCC524A**30	CNPV*3117A**	58MEB040-12	23,400	13.0	15.5	24,000	4.22	9.0	14,800	2.82
3675707	25HCC524A**30	CNPV*3117A**	58MV(B,C)060-14	23,400	13.0	16.0	24,000	4.10	9.0	14,700	2.78
3675719	25HCC524A**30	CNPV*3117A**	58UVB060-14	23,400	13.0	16.0	24,000	4.10	9.0	14,700	2.78
3810619	25HCC524A**30	CNPV*3117A**	58VLR105-12	24,000	12.5	15.0	24,000	4.08	8.5	14,700	2.76
3810618	25HCC524A**30	CNPV*3117A**	58VMR105-12	24,000	12.5	15.0	24,000	3.98	8.5	14,500	2.72
4803793	25HCC524A**30	CNPV*3117A**	59*N*A060V17**14	24,000	12.5	15.2	24,000	3.94	8.8	14,400	2.66
4803794	25HCC524A**30	CNPV*3117A**	59*N*A080V17**14	24,000	12.7	15.5	24,000	3.92	8.8	14,200	2.66
4803795	25HCC524A**30	CNPV*3117A**	59*P5A040E14**10	24,000	11.8	14.2	24,000	3.94	8.8	15,300	2.64
4803796	25HCC524A**30	CNPV*3117A**	59*P5A060E17**14	24,000	12.7	15.2	24,000	4.00	9.0	14,700	2.72
4194574	25HCC524A**30	CNPV*3117A**	OVLAAB036098	24,000	12.5	15.0	24,000	4.06	9.0	14,700	2.76
4194573	25HCC524A**30	CNPV*3117A**	OVMAAB036098	24,000	12.5	15.0	24,000	4.04	9.0	14,800	2.74
3675706	25HCC524A**30	CNPV*3117A**		23,400	11.5	14.0	24,000	3.90	8.6	15,400	2.62
3675927	25HCC524A**30	CSPH*2412A**	58CV(A,X)070-12	23,400	12.5	15.0	24,000	3.82	8.5	14,500	2.64
3675928	25HCC524A**30	CSPH*2412A**	58CV(A,X)090-16	23,400	12.5	15.5	24,000	3.86	8.5	14,500	2.66
3675929	25HCC524A**30	CSPH*2412A**	58CV(A,X)110-20	23,400	12.5	15.0	24,000	3.84	8.5	14,600	2.66
3675930	25HCC524A**30	CSPH*2412A**	58CV(A,X)135-22	23,400	12.5	15.0	24,000	3.84	8.5	14,600	2.66
3675931	25HCC524A**30	CSPH*2412A**	58CV(A,X)155-22	23,400	12.5	15.0	24,000	3.86	8.5	14,600	2.66
3675936	25HCC524A**30	CSPH*2412A**	58HDV040--12	23,400	12.2	14.5	24,000	3.84	8.5	14,800	2.64
3675937	25HCC524A**30	CSPH*2412A**	58HDV060--12	23,400	12.2	14.5	24,000	3.88	8.5	14,900	2.66
3675934	25HCC524A**30	CSPH*2412A**	58ME(B,C)060-12	23,400	12.5	15.5	24,000	3.96	8.7	14,700	2.70
3675935	25HCC524A**30	CSPH*2412A**	58ME(B,C)080-12	23,400	12.5	15.5	24,000	3.92	8.6	14,600	2.70
3675933	25HCC524A**30	CSPH*2412A**	58MEB040-12	23,400	12.5	15.5	24,000	3.94	8.7	14,600	2.70
3675922	25HCC524A**30	CSPH*2412A**	58MV(B,C)060-14	23,400	12.5	15.0	24,000	3.94	8.6	14,700	2.70
3675923	25HCC524A**30	CSPH*2412A**	58MV(B,C)080-14	23,400	12.5	15.0	24,000	3.82	8.5	14,500	2.64
3675924	25HCC524A**30	CSPH*2412A**	58MV(B,C)080-20	23,400	12.5	15.0	24,000	3.76	8.5	14,200	2.60
3675925	25HCC524A**30	CSPH*2412A**	58MV(B,C)100-20	23,400	12.5	15.0	24,000	3.84	8.5	14,500	2.66
3675926	25HCC524A**30	CSPH*2412A**	58MV(B,C)120-20	23,400	12.5	15.0	24,000	3.90	8.6	14,600	2.68
3675921	25HCC524A**30	CSPH*2412A**	58MVB040-14	23,400	12.5	15.0	24,000	3.84	8.5	14,600	2.66
3675932	25HCC524A**30	CSPH*2412A**	58PH*045-08	23,400	12.2	15.0	24,000	3.84	8.5	14,600	2.66
3810627	25HCC524A**30	CSPH*2412A**	58VLR105-12	24,000	12.5	15.0	24,000	3.92	8.5	14,700	2.70
3810626	25HCC524A**30	CSPH*2412A**	58VMR105-12	23,800	12.5	15.0	24,000	3.80	8.5	14,600	2.64
4803814	25HCC524A**30	CSPH*2412A**	59*N*A060V17**14	23,800	12.3	15.0	24,000	3.80	8.5	14,300	2.58
4803815	25HCC524A**30	CSPH*2412A**	59*N*A080V17**14	23,600	12.4	15.0	24,000	3.78	8.5	14,200	2.58
4803816	25HCC524A**30	CSPH*2412A**	59*P5A040E14**10	23,800	11.5	14.0	24,000	3.76	8.5	15,200	2.58
4803817	25HCC524A**30	CSPH*2412A**	59*P5A060E17**14	23,600	12.4	15.0	24,000	3.76	8.2	14,100	2.56
4194582	25HCC524A**30	CSPH*2412A**	OVLAAB036098	24,000	12.5	15.0	24,000	3.90	8.5	14,700	2.66
4194581	25HCC524A**30	CSPH*2412A**	OVMAAB036098	24,000	12.0	15.0	24,000	3.88	8.5	14,800	2.66
3675946	25HCC524A**30	CSPH*2412A**+TDR		23,400	11.2	13.5	24,000	3.78	8.3	15,300	2.58
3675953	25HCC524A**30	CSPH*3012A**	58CV(A,X)070-12	23,400	12.5	15.0	24,000	3.80	8.5	14,500	2.66
3675954	25HCC524A**30	CSPH*3012A**	58CV(A,X)090-16	23,400	12.5	15.5	24,000	3.84	8.5	14,500	2.68
3675955	25HCC524A**30	CSPH*3012A**	58CV(A,X)110-20	23,400	12.5	15.5	24,000	3.84	8.5	14,500	2.66
3675956	25HCC524A**30	CSPH*3012A**	58CV(A,X)135-22	23,400	12.5	15.5	24,000	3.84	8.5	14,500	2.68
3675957	25HCC524A**30	CSPH*3012A**	58CV(A,X)155-22	23,400	12.5	15.5	24,000	3.84	8.5	14,500	2.68
3675962	25HCC524A**30	CSPH*3012A**	58HDV040--12	23,600	12.2	14.5	24,000	3.86	8.5	14,800	2.66
3675963	25HCC524A**30	CSPH*3012A**	58HDV060--12	23,600	12.2	14.5	24,000	3.92	8.5	14,900	2.68
3675960	25HCC524A**30	CSPH*3012A**	58ME(B,C)060-12	23,400	12.5	15.5	24,000	4.00	9.0	14,700	2.74
3675961	25HCC524A**30	CSPH*3012A**	58ME(B,C)080-12	23,400	12.5	15.5	24,000	3.96	9.0	14,600	2.72

See notes on pg. 36

COMBINATION RATINGS CONTINUED

AHRI Ref. No.	Model Number	Coil Model Number	Furnace Model Number	Cooling Capacity	EER	SEER	High Temp		HSPF	Low Temp	
							E Capacity	E COP		H Capacity	H COP
3675959	25HCC524A**30	CSPH*3012A**	58MEB040-12	23,400	12.5	15.5	24,000	3.98	9.0	14,700	2.74
3675948	25HCC524A**30	CSPH*3012A**	58MV(B,C)060-14	23,400	12.5	15.5	24,000	3.92	9.0	14,600	2.70
3675949	25HCC524A**30	CSPH*3012A**	58MV(B,C)080-14	23,400	12.5	15.5	24,000	3.80	8.5	14,500	2.66
3675950	25HCC524A**30	CSPH*3012A**	58MV(B,C)080-20	23,400	12.5	15.0	24,000	3.74	8.5	14,100	2.60
3675951	25HCC524A**30	CSPH*3012A**	58MV(B,C)100-20	23,400	12.5	15.5	24,000	3.82	8.5	14,500	2.66
3675952	25HCC524A**30	CSPH*3012A**	58MV(B,C)120-20	23,400	12.5	15.5	24,000	3.88	8.6	14,500	2.70
3675947	25HCC524A**30	CSPH*3012A**	58MVB040-14	23,400	12.5	15.0	24,000	3.82	8.5	14,500	2.66
3675958	25HCC524A**30	CSPH*3012A**	58PH*045-08	23,400	12.5	15.0	24,000	3.88	8.5	14,700	2.68
3810629	25HCC524A**30	CSPH*3012A**	58VLR105-12	24,000	12.5	15.0	24,000	3.90	8.5	14,600	2.70
3810628	25HCC524A**30	CSPH*3012A**	58VMR105-12	23,800	12.5	15.0	24,000	3.80	8.5	14,500	2.64
4803818	25HCC524A**30	CSPH*3012A**	59*N*A060V17**14	23,800	12.5	15.2	24,000	3.84	8.5	14,300	2.60
4803819	25HCC524A**30	CSPH*3012A**	59*N*A080V17**14	23,800	12.5	15.2	24,000	3.82	8.5	14,100	2.60
4803820	25HCC524A**30	CSPH*3012A**	59*N*A100V21**20	24,000	12.5	15.2	24,000	3.92	8.8	14,700	2.68
4803821	25HCC524A**30	CSPH*3012A**	59*N*A120V24**22	24,000	12.5	15.2	24,000	3.92	8.8	14,300	2.64
4803822	25HCC524A**30	CSPH*3012A**	59*P5A040E14**10	24,000	11.5	14.0	24,000	3.82	8.5	15,200	2.60
4803823	25HCC524A**30	CSPH*3012A**	59*P5A060E17**14	24,000	12.5	15.2	24,000	3.86	8.5	14,300	2.62
4194584	25HCC524A**30	CSPH*3012A**	OVLAAB036098	24,000	12.5	15.0	24,000	3.94	8.5	14,700	2.70
4194583	25HCC524A**30	CSPH*3012A**	OVMAAB036098	24,000	12.5	15.0	24,000	3.94	8.5	14,700	2.68
3675993	25HCC524A**30	CSPH*3012A**+TDR		23,400	11.2	13.5	24,000	3.76	8.3	15,300	2.58
3810606	25HCC524A**30	FB4CNF024		23,400	11.5	13.5	24,000	3.76	8.5	14,800	2.60
3693230	25HCC524A**30	FB4CNF024+TXV		23,400	12.0	14.5	24,000	3.78	8.4	14,800	2.60
3810607	25HCC524A**30	FB4CNF030		24,000	12.0	14.5	24,000	3.94	8.5	14,700	2.70
3693231	25HCC524A**30	FB4CNF030+TXV		23,400	12.5	15.0	24,000	3.94	8.7	14,800	2.70
3676189	25HCC524A**30	FE4AN(B,F)003+UI		23,800	12.5	15.5	24,000	3.92	9.0	14,400	2.72
3676202	25HCC524A**30	FE4ANF002+UI		23,800	12.5	15.5	24,000	3.92	9.0	14,500	2.70
3676208	25HCC524A**30	FF1ENP024		23,400	11.0	13.0	24,000	3.64	8.1	15,300	2.52
3676210	25HCC524A**30	FF1ENP025		23,800	12.0	14.5	24,000	3.84	8.5	14,800	2.64
3676211	25HCC524A**30	FF1ENP030		23,400	11.0	13.5	24,000	3.64	8.2	15,200	2.52
3676213	25HCC524A**30	FF1ENP031		23,800	12.0	14.5	24,000	3.84	8.5	14,900	2.64
3676217	25HCC524A**30	FF1ENP037		23,800	12.5	15.0	24,000	3.92	8.7	14,900	2.68
3676236	25HCC524A**30	FV4CN(B,F)003		23,800	12.5	15.5	24,000	3.92	9.0	14,400	2.72
3676249	25HCC524A**30	FV4CNF002		23,800	12.5	15.5	24,000	3.92	9.0	14,500	2.70
3676265	25HCC524A**30	FX4DN(B,F)031		24,000	12.2	15.0	24,000	3.94	8.7	14,900	2.70
3810608	25HCC524A**30	FY5BNF024		23,800	11.5	13.5	24,000	3.80	8.5	14,900	2.62
3693243	25HCC524A**30	FY5BNF024+TXV		23,400	11.5	14.0	24,000	3.78	8.3	15,000	2.60
3810609	25HCC524A**30	FY5BNF030		24,000	11.5	13.5	24,000	3.84	8.5	15,100	2.64
3693244	25HCC524A**30	FY5BNF030+TXV		23,400	11.2	14.0	24,000	3.78	8.4	15,200	2.58
3676266	25HCC530A**30	FX4DN(B,F)031		28,400	12.5	15.3	28,400	3.98	8.7	17,000	2.66
3675147	25HCC530A**30	CAP**3014A**	58CV(A,X)070-12	27,600	12.0	14.5	28,200	3.78	8.1	16,700	2.58
3675149	25HCC530A**30	CAP**3014A**+TDR		27,800	11.2	13.0	29,200	3.72	8.0	17,600	2.50
3675156	25HCC530A**30	CAP**3017A**	58CV(A,X)090-16	27,800	12.5	15.0	28,000	3.82	8.2	16,600	2.60
4194585	25HCC530A**30	CAP**3017A**	58HDV040--12	27,800	12.0	14.5	28,600	3.78	8.2	17,000	2.56
4194586	25HCC530A**30	CAP**3017A**	58HDV060--12	28,000	12.0	14.5	28,600	3.82	8.2	17,100	2.58
3675159	25HCC530A**30	CAP**3017A**	58ME(B,C)060-12	28,000	12.5	15.0	28,400	3.92	8.3	16,800	2.64
3675160	25HCC530A**30	CAP**3017A**	58ME(B,C)080-12	28,000	12.5	15.0	28,200	3.90	8.3	16,800	2.64
3675161	25HCC530A**30	CAP**3017A**	58ME(B,C)080-16	28,000	12.5	15.0	28,400	3.94	8.4	17,000	2.64
3675158	25HCC530A**30	CAP**3017A**	58MEB040-12	28,000	12.5	15.0	28,200	3.92	8.3	16,800	2.64
3675155	25HCC530A**30	CAP**3017A**	58MV(B,C)060-14	27,800	12.5	15.0	28,200	3.86	8.2	16,700	2.62
3675157	25HCC530A**30	CAP**3017A**	58PH*070-16	27,800	12.0	14.5	28,400	3.82	8.2	16,900	2.60
3675163	25HCC530A**30	CAP**3017A**	58UVB060-14	27,800	12.5	15.0	28,200	3.86	8.2	16,700	2.62
3810635	25HCC530A**30	CAP**3017A**	58VLR105-12	27,800	12.0	15.0	28,200	3.84	8.2	16,800	2.60
3810634	25HCC530A**30	CAP**3017A**	58VMR105-12	27,600	12.0	15.0	28,000	3.76	8.2	16,500	2.58
4803824	25HCC530A**30	CAP**3017A**	59*N*A060V17**14	27,600	12.0	14.5	28,200	3.76	8.2	16,800	2.56
4803825	25HCC530A**30	CAP**3017A**	59*N*A080V17**14	27,800	12.0	14.5	28,200	3.80	8.2	16,800	2.58
4803826	25HCC530A**30	CAP**3017A**	59*P5A060E17**14	27,800	12.0	14.5	28,400	3.80	8.2	16,900	2.58
4803827	25HCC530A**30	CAP**3017A**	59*P5A080E17**16	28,000	12.0	14.5	28,600	3.86	8.2	17,000	2.60
4194602	25HCC530A**30	CAP**3017A**	OVLAAB036098	27,800	12.0	14.5	28,200	3.80	8.2	16,800	2.58
4194601	25HCC530A**30	CAP**3017A**	OVMAAB036098	27,800	12.0	14.5	28,400	3.80	8.2	16,900	2.58
4194603	25HCC530A**30	CAP**3017A**	OVMAAB042112	27,800	12.5	15.0	28,200	3.86	8.2	16,700	2.62
3675165	25HCC530A**30	CAP**3017A**+TDR		27,800	11.2	13.0	29,200	3.72	8.0	17,600	2.50
3675166	25HCC530A**30	CAP**3614A**	58CV(A,X)070-12	27,800	12.0	14.5	28,200	3.80	8.1	16,700	2.58
3675169	25HCC530A**30	CAP**3614A**+TDR		27,800	11.2	13.0	29,200	3.74	8.0	17,600	2.50
3675172	25HCC530A**30	CAP**3617A**	58CV(A,X)090-16	27,800	12.5	15.0	28,000	3.86	8.2	16,600	2.62
4194587	25HCC530A**30	CAP**3617A**	58HDV040--12	27,800	12.0	14.5	28,600	3.80	8.2	17,000	2.56
4194588	25HCC530A**30	CAP**3617A**	58HDV060--12	28,000	12.0	14.5	28,600	3.86	8.2	17,100	2.60
3675175	25HCC530A**30	CAP**3617A**	58ME(B,C)060-12	28,000	12.5	15.0	28,400	3.96	8.5	16,900	2.66
3675176	25HCC530A**30	CAP**3617A**	58ME(B,C)080-12	28,000	12.5	15.0	28,400	3.94	8.5	16,800	2.64
3675177	25HCC530A**30	CAP**3617A**	58ME(B,C)080-16	28,000	12.5	15.0	28,600	3.96	8.5	17,000	2.66
3675174	25HCC530A**30	CAP**3617A**	58MEB040-12	28,000	12.5	15.0	28,400	3.96	8.5	16,800	2.66
3675171	25HCC530A**30	CAP**3617A**	58MV(B,C)060-14	27,800	12.5	15.0	28,200	3.88	8.5	16,700	2.62
3675173	25HCC530A**30	CAP**3617A**	58PH*070-16	28,000	12.0	14.5	28,400	3.86	8.2	16,900	2.60
3675185	25HCC530A**30	CAP**3617A**	58UVB060-14	27,800	12.5	15.0	28,200	3.88	8.5	16,700	2.62
3810637	25HCC530A**30	CAP**3617A**	58VLR105-12	28,000	12.0	15.0	28,200	3.86	8.2	16,800	2.62
3810636	25HCC530A**30	CAP**3617A**	58VMR105-12	27,600	12.5	15.0	28,000	3.78	8.2	16,500	2.58
4803828	25HCC530A**30	CAP**3617A**	59*N*A060V17**14	27,800	12.0	14.5	28,200	3.78	8.2	16,800	2.56
4803829	25HCC530A**30	CAP**3617A**	59*N*A080V17**14	28,000	12.0	14.5	28,200	3.84	8.2	16,800	2.60
4803830	25HCC530A**30	CAP**3617A**	59*P5A060E17**14	28,000	12.0	14.5	28,400	3.84	8.2	16,900	2.58
4803831	25HCC530A**30	CAP**3617A**	59*P5A080E17**16	28,200	12.0	14.5	28,600	3.88	8.5	17,000	2.60

25HCC5

See notes on pg. 36

COMBINATION RATINGS CONTINUED

AHRI Ref. No.	Model Number	Coil Model Number	Furnace Model Number	Cooling Capacity	EER	SEER	High Temp		HSPF	Low Temp	
							E Capacity	E COP		H Capacity	H COP
4194605	25HCC530A**30	CAP**3617A**	OVLAAB036098	27,800	12.0	14.5	28,200	3.82	8.2	16,800	2.58
4194604	25HCC530A**30	CAP**3617A**	OVMAAB036098	27,800	12.0	14.5	28,400	3.82	8.2	16,900	2.58
4194606	25HCC530A**30	CAP**3617A**	OVMAAB042112	28,000	12.5	15.0	28,200	3.88	8.4	16,700	2.62
3675187	25HCC530A**30	CAP**3617A**+TDR		27,800	11.2	13.0	29,200	3.74	8.0	17,600	2.50
3675191	25HCC530A**30	CAP**3619A**	58HDV040 -- 12	27,800	12.0	14.0	28,600	3.80	8.1	17,100	2.56
3675192	25HCC530A**30	CAP**3619A**	58HDV060 -- 12	27,800	12.0	14.5	28,600	3.86	8.2	17,100	2.60
4803837	25HCC530A**30	CAP**3619A**	59*N*A060V17**14	27,800	12.0	14.5	28,200	3.78	8.2	16,800	2.56
4803838	25HCC530A**30	CAP**3619A**	59*N*A080V17**14	28,000	12.0	14.5	28,200	3.84	8.2	16,800	2.60
4803839	25HCC530A**30	CAP**3619A**	59*N*A100V21**20	28,000	12.4	15.0	28,400	3.86	8.2	16,800	2.60
4803840	25HCC530A**30	CAP**3619A**	59*P5A060E17**14	28,000	12.0	14.5	28,400	3.84	8.2	16,900	2.58
4803841	25HCC530A**30	CAP**3619A**	59*P5A080E17**16	28,200	12.0	14.5	28,600	3.88	8.5	17,000	2.60
4194612	25HCC530A**30	CAP**3619A**	OVLAAB036098	27,800	12.0	14.5	28,200	3.82	8.2	16,800	2.58
4194611	25HCC530A**30	CAP**3619A**	OVMAAB036098	27,800	12.0	14.5	28,400	3.82	8.2	16,900	2.58
4194613	25HCC530A**30	CAP**3619A**	OVMAAB042112	28,000	12.5	15.0	28,200	3.88	8.4	16,700	2.62
3675195	25HCC530A**30	CAP**3619A**+TDR		27,800	11.2	13.0	29,200	3.74	8.0	17,600	2.50
3675200	25HCC530A**30	CAP**3621A**	58CV(A,X)110-20	27,800	12.5	15.0	28,000	3.88	8.3	16,600	2.64
4194589	25HCC530A**30	CAP**3621A**	58HDV040 -- 12	28,000	12.0	14.5	28,600	3.82	8.2	17,100	2.58
4194590	25HCC530A**30	CAP**3621A**	58HDV060 -- 12	28,200	12.0	14.5	28,600	3.88	8.4	17,100	2.60
3675197	25HCC530A**30	CAP**3621A**	58MV(B,C)080-14	27,800	12.5	15.0	28,000	3.82	8.1	16,600	2.60
3675198	25HCC530A**30	CAP**3621A**	58MV(B,C)080-20	27,800	12.5	15.0	28,000	3.84	8.2	16,600	2.62
3675199	25HCC530A**30	CAP**3621A**	58MV(B,C)100-20	27,600	12.5	15.0	28,000	3.80	8.1	16,500	2.60
3675201	25HCC530A**30	CAP**3621A**	58PH*090-16	28,000	12.5	15.0	28,400	3.94	8.4	16,900	2.66
3675209	25HCC530A**30	CAP**3621A**	58UVB080-14	27,800	12.5	15.0	28,000	3.82	8.1	16,600	2.60
3675210	25HCC530A**30	CAP**3621A**	58UVB080-20	27,800	12.5	15.0	28,000	3.84	8.2	16,600	2.62
3675211	25HCC530A**30	CAP**3621A**	58UVB100-20	27,600	12.5	15.0	28,000	3.80	8.1	16,500	2.60
4803832	25HCC530A**30	CAP**3621A**	59*N*A060V17**14	27,800	12.0	14.5	28,200	3.80	8.2	16,800	2.58
4803833	25HCC530A**30	CAP**3621A**	59*N*A080V17**14	28,000	12.4	15.0	28,200	3.84	8.2	16,800	2.60
4803834	25HCC530A**30	CAP**3621A**	59*N*A100V21**20	28,000	12.4	15.0	28,400	3.88	8.5	16,800	2.62
4803835	25HCC530A**30	CAP**3621A**	59*P5A060E17**14	28,000	12.0	14.5	28,600	3.86	8.2	17,000	2.60
4803836	25HCC530A**30	CAP**3621A**	59*P5A080E17**16	28,400	12.0	14.5	28,600	3.92	8.5	17,100	2.62
4194608	25HCC530A**30	CAP**3621A**	OVLAAB036098	27,800	12.0	15.0	28,200	3.84	8.2	16,800	2.60
4194610	25HCC530A**30	CAP**3621A**	OVLAAB048112	28,200	12.5	15.0	28,400	3.90	8.5	16,900	2.64
4194607	25HCC530A**30	CAP**3621A**	OVMAAB036098	28,000	12.0	14.5	28,400	3.84	8.2	16,900	2.60
4194609	25HCC530A**30	CAP**3621A**	OVMAAB042112	28,000	12.5	15.0	28,200	3.92	8.5	16,700	2.64
3675215	25HCC530A**30	CAP**3621A**+TDR		27,800	11.2	13.0	29,200	3.74	8.0	17,600	2.50
3675400	25HCC530A**30	CNPH*3017A**	58CV(A,X)070-12	27,800	12.0	14.5	28,200	3.80	8.1	16,700	2.58
3675401	25HCC530A**30	CNPH*3017A**	58CV(A,X)090-16	27,800	12.5	15.0	28,000	3.84	8.2	16,600	2.60
3675402	25HCC530A**30	CNPH*3017A**	58CV(A,X)110-20	27,800	12.5	15.0	28,200	3.84	8.2	16,700	2.62
3675403	25HCC530A**30	CNPH*3017A**	58CV(A,X)135-22	27,800	12.5	15.0	28,000	3.84	8.2	16,600	2.62
3675404	25HCC530A**30	CNPH*3017A**	58CV(A,X)155-22	27,800	12.5	15.0	28,000	3.86	8.2	16,600	2.62
3675411	25HCC530A**30	CNPH*3017A**	58HDV040 -- 12	27,800	11.5	14.0	28,600	3.76	8.1	17,000	2.54
3675412	25HCC530A**30	CNPH*3017A**	58HDV060 -- 12	28,000	12.0	14.5	28,600	3.82	8.2	17,100	2.58
3675408	25HCC530A**30	CNPH*3017A**	58ME(B,C)060-12	28,000	12.5	15.0	28,400	3.92	8.3	16,800	2.64
3675409	25HCC530A**30	CNPH*3017A**	58ME(B,C)080-12	28,000	12.5	15.0	28,200	3.90	8.3	16,800	2.64
3675410	25HCC530A**30	CNPH*3017A**	58ME(B,C)080-16	28,000	12.2	15.0	28,400	3.92	8.4	17,000	2.64
3675407	25HCC530A**30	CNPH*3017A**	58MEB040-12	28,000	12.5	15.0	28,200	3.90	8.3	16,800	2.64
3675395	25HCC530A**30	CNPH*3017A**	58MV(B,C)060-14	27,800	12.5	15.0	28,200	3.86	8.2	16,700	2.62
3675396	25HCC530A**30	CNPH*3017A**	58MV(B,C)080-14	27,600	12.0	14.5	28,000	3.78	8.1	16,600	2.58
3675397	25HCC530A**30	CNPH*3017A**	58MV(B,C)080-20	27,800	12.0	14.5	28,200	3.82	8.1	16,700	2.60
3675398	25HCC530A**30	CNPH*3017A**	58MV(B,C)100-20	27,600	12.0	14.5	28,000	3.76	8.0	16,600	2.58
3675399	25HCC530A**30	CNPH*3017A**	58MV(B,C)120-20	27,800	12.5	15.0	28,000	3.84	8.2	16,600	2.62
3675394	25HCC530A**30	CNPH*3017A**	58MVB040-14	27,600	12.0	14.5	28,200	3.80	8.1	16,700	2.58
3675405	25HCC530A**30	CNPH*3017A**	58PH*070-16	27,800	12.0	14.5	28,400	3.82	8.2	16,900	2.58
3675406	25HCC530A**30	CNPH*3017A**	58PH*090-16	27,800	12.0	14.5	28,400	3.86	8.2	16,800	2.62
3810647	25HCC530A**30	CNPH*3017A**	58VLR105-12	28,000	12.0	15.0	28,200	3.84	8.5	16,800	2.60
3810646	25HCC530A**30	CNPH*3017A**	58VMR105-12	27,600	12.0	15.0	28,000	3.76	8.2	16,600	2.58
4803863	25HCC530A**30	CNPH*3017A**	59*N*A060V17**14	27,600	12.0	14.5	28,200	3.76	8.2	16,800	2.56
4803864	25HCC530A**30	CNPH*3017A**	59*N*A080V17**14	27,800	12.0	14.5	28,200	3.80	8.2	16,800	2.58
4803865	25HCC530A**30	CNPH*3017A**	59*N*A100V21**20	28,000	12.0	14.5	28,400	3.84	8.2	16,900	2.60
4803866	25HCC530A**30	CNPH*3017A**	59*N*A120V24**22	28,000	12.4	15.0	28,200	3.84	8.2	16,700	2.60
4803867	25HCC530A**30	CNPH*3017A**	59*P5A060E17**14	27,800	12.0	14.5	28,400	3.82	8.2	16,900	2.58
4803868	25HCC530A**30	CNPH*3017A**	59*P5A080E17**16	28,000	12.0	14.5	28,600	3.86	8.2	17,000	2.60
4194630	25HCC530A**30	CNPH*3017A**	OVLAAB036098	27,800	12.0	14.5	28,400	3.80	8.2	16,800	2.58
4194629	25HCC530A**30	CNPH*3017A**	OVMAAB036098	27,800	12.0	14.5	28,400	3.80	8.2	16,900	2.56
4194631	25HCC530A**30	CNPH*3017A**	OVMAAB042112	28,000	12.0	15.0	28,200	3.86	8.2	16,800	2.62
3675424	25HCC530A**30	CNPH*3017A**+TDR		27,800	11.2	13.0	29,200	3.72	8.0	17,600	2.50
3675427	25HCC530A**30	CNPH*3117A**	58HDV040 -- 12	28,400	12.2	14.5	28,800	3.94	8.4	17,200	2.62
3675428	25HCC530A**30	CNPH*3117A**	58HDV060 -- 12	28,600	12.2	14.5	29,000	4.00	8.5	17,200	2.64
4803869	25HCC530A**30	CNPH*3117A**	59*N*A060V17**14	28,400	12.4	15.0	28,600	3.92	8.5	17,000	2.62
4803870	25HCC530A**30	CNPH*3117A**	59*N*A080V17**14	28,400	12.5	15.2	28,600	3.98	8.5	16,900	2.64
4803871	25HCC530A**30	CNPH*3117A**	59*N*A100V21**20	28,600	12.5	15.2	28,600	4.02	8.5	17,000	2.66
4803872	25HCC530A**30	CNPH*3117A**	59*N*A120V24**22	28,600	12.5	15.2	28,600	4.02	8.5	16,900	2.66
4803873	25HCC530A**30	CNPH*3117A**	59*P5A060E17**14	28,600	12.4	15.0	28,800	3.98	8.5	17,100	2.64
4803874	25HCC530A**30	CNPH*3117A**	59*P5A080E17**16	28,800	12.5	15.0	29,000	4.06	8.5	17,200	2.66
4194633	25HCC530A**30	CNPH*3117A**	OVLAAB036098	28,400	12.5	15.0	28,600	3.96	8.5	17,000	2.64
4194632	25HCC530A**30	CNPH*3117A**	OVMAAB036098	28,400	12.0	15.0	28,800	3.96	8.5	17,100	2.64
4194634	25HCC530A**30	CNPH*3117A**	OVMAAB042112	28,600	12.5	15.0	28,600	4.04	8.5	16,900	2.68
3675435	25HCC530A**30	CNPH*3617A**	58CV(A,X)070-12	27,800	12.0	14.5	28,200	3.80	8.1	16,700	2.58
3675436	25HCC530A**30	CNPH*3617A**	58CV(A,X)090-16	27,800	12.5	15.0	28,000	3.84	8.2	16,600	2.60

See notes on pg. 36

COMBINATION RATINGS CONTINUED

AHRI Ref. No.	Model Number	Coil Model Number	Furnace Model Number	Cooling Capacity	EER	SEER	High Temp		HSPF	Low Temp	
							E Capacity	E COP		H Capacity	H COP
3675437	25HCC530A**30	CNPH*3617A**	58CV(A,X)110-20	27,800	12.5	15.0	28,000	3.84	8.2	16,700	2.62
3675438	25HCC530A**30	CNPH*3617A**	58CV(A,X)135-22	27,800	12.5	15.0	28,000	3.84	8.2	16,600	2.62
3675439	25HCC530A**30	CNPH*3617A**	58CV(A,X)155-22	27,800	12.5	15.0	28,000	3.86	8.2	16,600	2.62
3675446	25HCC530A**30	CNPH*3617A**	58HDV040--12	27,800	11.5	14.0	28,600	3.76	8.1	17,000	2.54
3675447	25HCC530A**30	CNPH*3617A**	58HDV060--12	28,000	12.0	14.5	28,600	3.82	8.2	17,100	2.58
3675443	25HCC530A**30	CNPH*3617A**	58ME(B,C)060-12	28,000	12.5	15.0	28,400	3.92	8.5	16,800	2.64
3675444	25HCC530A**30	CNPH*3617A**	58ME(B,C)080-12	28,000	12.5	15.0	28,200	3.90	8.5	16,800	2.64
3675445	25HCC530A**30	CNPH*3617A**	58ME(B,C)080-16	28,000	12.2	15.0	28,600	3.92	8.5	17,000	2.64
3675442	25HCC530A**30	CNPH*3617A**	58MEB040-12	28,000	12.5	15.0	28,200	3.90	8.5	16,800	2.64
3675430	25HCC530A**30	CNPH*3617A**	58MV(B,C)060-14	27,800	12.5	15.0	28,200	3.86	8.5	16,700	2.62
3675431	25HCC530A**30	CNPH*3617A**	58MV(B,C)080-14	27,800	12.0	14.5	28,000	3.78	8.1	16,600	2.58
3675432	25HCC530A**30	CNPH*3617A**	58MV(B,C)080-20	27,800	12.0	14.5	28,000	3.82	8.1	16,700	2.60
3675433	25HCC530A**30	CNPH*3617A**	58MV(B,C)100-20	27,600	12.0	14.5	28,000	3.76	8.0	16,600	2.58
3675434	25HCC530A**30	CNPH*3617A**	58MV(B,C)120-20	27,800	12.5	15.0	28,000	3.84	8.2	16,600	2.62
3675429	25HCC530A**30	CNPH*3617A**	58MV(B,C)040-14	27,600	12.0	14.5	28,200	3.80	8.1	16,700	2.58
3675440	25HCC530A**30	CNPH*3617A**	58PH*070-16	27,800	12.0	14.5	28,400	3.82	8.2	16,900	2.58
3675441	25HCC530A**30	CNPH*3617A**	58PH*090-16	28,000	12.0	14.5	28,400	3.86	8.2	16,800	2.62
3810649	25HCC530A**30	CNPH*3617A**	58VLR105-12	28,000	12.0	15.0	28,200	3.84	8.5	16,800	2.60
3810648	25HCC530A**30	CNPH*3617A**	58VMR105-12	27,600	12.0	15.0	28,000	3.76	8.2	16,600	2.58
4803875	25HCC530A**30	CNPH*3617A**	59*N*A060V17**14	27,600	12.0	14.5	28,200	3.76	8.2	16,800	2.56
4803876	25HCC530A**30	CNPH*3617A**	59*N*A080V17**14	27,800	12.0	14.5	28,200	3.80	8.2	16,800	2.58
4803877	25HCC530A**30	CNPH*3617A**	59*N*A100V21**20	28,000	12.0	14.5	28,400	3.84	8.2	16,900	2.60
4803878	25HCC530A**30	CNPH*3617A**	59*N*A120V24**22	28,000	12.4	15.0	28,200	3.84	8.2	16,700	2.60
4803879	25HCC530A**30	CNPH*3617A**	59*P5A060E17**14	27,800	12.0	14.5	28,400	3.82	8.2	16,900	2.58
4803880	25HCC530A**30	CNPH*3617A**	59*P5A080E17**16	28,000	12.0	14.5	28,600	3.86	8.2	17,000	2.60
4194636	25HCC530A**30	CNPH*3617A**	OVLAAB036098	27,800	12.0	14.5	28,400	3.80	8.2	16,800	2.58
4194635	25HCC530A**30	CNPH*3617A**	OVMAAB036098	27,800	12.0	14.5	28,400	3.80	8.2	16,900	2.56
4194637	25HCC530A**30	CNPH*3617A**	OVMAAB042112	28,000	12.0	15.0	28,200	3.86	8.2	16,800	2.62
3675482	25HCC530A**30	CNPH*3617A**+TDR		27,800	11.2	13.0	29,200	3.72	8.0	17,600	2.50
3675687	25HCC530A**30	CNPV*3014A**	58CV(A,X)070-12	27,600	12.0	14.5	28,200	3.78	8.1	16,800	2.58
3675689	25HCC530A**30	CNPV*3014A**+TDR		27,800	11.2	13.0	29,200	3.72	8.0	17,600	2.50
3675696	25HCC530A**30	CNPV*3017A**	58CV(A,X)090-16	27,800	12.5	15.0	28,000	3.84	8.2	16,600	2.60
4194591	25HCC530A**30	CNPV*3017A**	58HDV040--12	27,800	11.5	14.0	28,600	3.76	8.2	17,000	2.56
4194592	25HCC530A**30	CNPV*3017A**	58HDV060--12	28,000	12.0	14.5	28,600	3.82	8.2	17,100	2.58
3675699	25HCC530A**30	CNPV*3017A**	58ME(B,C)060-12	28,000	12.5	15.0	28,400	3.92	8.3	16,800	2.64
3675700	25HCC530A**30	CNPV*3017A**	58ME(B,C)080-12	28,000	12.5	15.0	28,200	3.90	8.3	16,800	2.64
3675701	25HCC530A**30	CNPV*3017A**	58ME(B,C)080-16	28,000	12.2	15.0	28,400	3.92	8.4	17,000	2.64
3675698	25HCC530A**30	CNPV*3017A**	58MEB040-12	28,000	12.5	15.0	28,200	3.90	8.3	16,800	2.64
3675695	25HCC530A**30	CNPV*3017A**	58MV(B,C)060-14	27,800	12.5	15.0	28,200	3.86	8.2	16,700	2.62
3675697	25HCC530A**30	CNPV*3017A**	58PH*070-16	27,800	12.0	14.5	28,400	3.82	8.2	16,900	2.58
3675703	25HCC530A**30	CNPV*3017A**	58VUB060-14	27,800	12.5	15.0	28,200	3.86	8.2	16,700	2.62
3810639	25HCC530A**30	CNPV*3017A**	58VLR105-12	28,000	12.0	15.0	28,200	3.84	8.5	16,800	2.60
3810638	25HCC530A**30	CNPV*3017A**	58VMR105-12	27,600	12.0	15.0	28,000	3.76	8.2	16,600	2.58
4803842	25HCC530A**30	CNPV*3017A**	59*N*A060V17**14	27,600	12.0	14.5	28,200	3.76	8.2	16,800	2.56
4803843	25HCC530A**30	CNPV*3017A**	59*N*A080V17**14	27,800	12.0	14.5	28,200	3.80	8.2	16,800	2.58
4803844	25HCC530A**30	CNPV*3017A**	59*P5A060E17**14	27,800	12.0	14.5	28,400	3.82	8.2	16,900	2.58
4803845	25HCC530A**30	CNPV*3017A**	59*P5A080E17**16	28,000	12.0	14.5	28,600	3.86	8.2	17,000	2.60
4194615	25HCC530A**30	CNPV*3017A**	OVLAAB036098	27,800	12.0	14.5	28,400	3.80	8.2	16,800	2.58
4194614	25HCC530A**30	CNPV*3017A**	OVMAAB036098	27,800	12.0	14.5	28,400	3.80	8.2	16,900	2.56
4194616	25HCC530A**30	CNPV*3017A**	OVMAAB042112	28,000	12.0	15.0	28,200	3.86	8.2	16,800	2.62
3675705	25HCC530A**30	CNPV*3017A**+TDR		27,800	11.2	13.0	29,200	3.72	8.0	17,600	2.50
3675713	25HCC530A**30	CNPV*3117A**	58CV(A,X)090-16	28,400	12.5	15.5	28,400	4.00	8.5	16,700	2.68
4194593	25HCC530A**30	CNPV*3117A**	58HDV040--12	28,400	12.0	14.5	28,800	3.94	8.5	17,200	2.62
4194594	25HCC530A**30	CNPV*3117A**	58HDV060--12	28,600	12.0	14.5	29,000	4.02	8.7	17,200	2.64
3675716	25HCC530A**30	CNPV*3117A**	58ME(B,C)060-12	28,800	12.5	15.0	28,800	4.12	8.7	17,000	2.70
3675717	25HCC530A**30	CNPV*3117A**	58ME(B,C)080-12	28,800	12.5	15.5	28,600	4.08	8.6	16,900	2.70
3675718	25HCC530A**30	CNPV*3117A**	58ME(B,C)080-16	29,000	12.5	15.0	28,800	4.14	8.7	17,100	2.70
3675715	25HCC530A**30	CNPV*3117A**	58MEB040-12	28,800	12.5	15.5	28,600	4.12	8.7	16,900	2.72
3675712	25HCC530A**30	CNPV*3117A**	58MV(B,C)060-14	28,600	12.5	15.0	28,400	4.04	8.5	16,800	2.68
3675714	25HCC530A**30	CNPV*3117A**	58PH*070-16	28,600	12.5	15.0	28,800	4.00	8.5	17,100	2.66
3675720	25HCC530A**30	CNPV*3117A**	58VUB060-14	28,600	12.5	15.0	28,400	4.04	8.5	16,800	2.68
3810641	25HCC530A**30	CNPV*3117A**	58VLR105-12	28,600	12.5	15.0	28,600	4.02	8.5	16,900	2.66
3810640	25HCC530A**30	CNPV*3117A**	58VMR105-12	28,200	12.5	15.0	28,200	3.94	8.5	16,700	2.64
4803846	25HCC530A**30	CNPV*3117A**	59*N*A060V17**14	28,400	12.0	14.5	28,600	3.92	8.5	17,000	2.62
4803847	25HCC530A**30	CNPV*3117A**	59*N*A080V17**14	28,400	12.5	15.2	28,600	3.98	8.5	16,900	2.64
4803848	25HCC530A**30	CNPV*3117A**	59*P5A060E17**14	28,600	12.4	15.0	28,800	3.98	8.5	17,100	2.64
4803849	25HCC530A**30	CNPV*3117A**	59*P5A080E17**16	28,800	12.4	15.0	29,000	4.06	8.5	17,200	2.66
4194618	25HCC530A**30	CNPV*3117A**	OVLAAB036098	28,400	12.5	15.0	28,600	3.96	8.5	17,000	2.64
4194617	25HCC530A**30	CNPV*3117A**	OVMAAB036098	28,400	12.0	15.0	28,800	3.96	8.5	17,100	2.64
4194619	25HCC530A**30	CNPV*3117A**	OVMAAB042112	28,600	12.5	15.0	28,600	4.04	8.7	16,900	2.68
3675721	25HCC530A**30	CNPV*3117A**+TDR		28,600	11.5	13.5	29,400	3.90	8.3	17,800	2.56
3675723	25HCC530A**30	CNPV*3617A**	58CV(A,X)090-16	27,800	12.5	15.0	28,000	3.84	8.2	16,600	2.60
4194595	25HCC530A**30	CNPV*3617A**	58HDV040--12	27,800	11.5	14.0	28,600	3.76	8.2	17,000	2.56
4194596	25HCC530A**30	CNPV*3617A**	58HDV060--12	28,000	12.0	14.5	28,600	3.82	8.2	17,100	2.58
3675726	25HCC530A**30	CNPV*3617A**	58ME(B,C)060-12	28,000	12.5	15.0	28,400	3.92	8.5	16,800	2.64
3675727	25HCC530A**30	CNPV*3617A**	58ME(B,C)080-12	28,000	12.5	15.0	28,200	3.90	8.5	16,800	2.64
3675728	25HCC530A**30	CNPV*3617A**	58ME(B,C)080-16	28,000	12.2	15.0	28,600	3.92	8.5	17,000	2.64
3675725	25HCC530A**30	CNPV*3617A**	58MEB040-12	28,000	12.5	15.0	28,200	3.90	8.5	16,800	2.64
3675722	25HCC530A**30	CNPV*3617A**	58MV(B,C)060-14	27,800	12.5	15.0	28,200	3.86	8.5	16,700	2.62

25HCC5

See notes on pg. 36

COMBINATION RATINGS CONTINUED

AHRI Ref. No.	Model Number	Coil Model Number	Furnace Model Number	Cooling Capacity	EER	SEER	High Temp		HSPF	Low Temp	
							E Capacity	E COP		H Capacity	H COP
3675724	25HCC530A**30	CNPV*3617A**	58PH*070-16	27,800	12.0	14.5	28,400	3.82	8.2	16,900	2.58
3675736	25HCC530A**30	CNPV*3617A**	58UVB060-14	27,800	12.5	15.0	28,200	3.86	8.5	16,700	2.62
3810643	25HCC530A**30	CNPV*3617A**	58VLR105-12	28,000	12.0	15.0	28,200	3.84	8.5	16,800	2.60
3810642	25HCC530A**30	CNPV*3617A**	58VMR105-12	27,600	12.0	15.0	28,000	3.76	8.2	16,600	2.58
4803850	25HCC530A**30	CNPV*3617A**	59*N*A060V17**14	27,600	12.0	14.5	28,200	3.76	8.2	16,800	2.56
4803851	25HCC530A**30	CNPV*3617A**	59*N*A080V17**14	27,800	12.0	14.5	28,200	3.80	8.2	16,800	2.58
4803852	25HCC530A**30	CNPV*3617A**	59*P5A060E17**14	27,800	12.0	14.5	28,400	3.82	8.2	16,900	2.58
4803853	25HCC530A**30	CNPV*3617A**	59*P5A080E17**16	28,000	12.0	14.5	28,600	3.86	8.2	17,000	2.60
4194621	25HCC530A**30	CNPV*3617A**	OVLAAB036098	27,800	12.0	14.5	28,400	3.80	8.2	16,800	2.58
4194620	25HCC530A**30	CNPV*3617A**	OVMAAB036098	27,800	12.0	14.5	28,400	3.80	8.2	16,900	2.56
4194622	25HCC530A**30	CNPV*3617A**	OVMAAB042112	28,000	12.0	15.0	28,200	3.86	8.2	16,800	2.62
3675738	25HCC530A**30	CNPV*3617A**+TDR		27,800	11.2	13.0	29,200	3.72	8.0	17,600	2.50
3675743	25HCC530A**30	CNPV*3621A**	58CV(A,X)110-20	27,800	12.5	15.0	28,000	3.84	8.2	16,700	2.62
4194597	25HCC530A**30	CNPV*3621A**	58HDV040-12	27,800	12.0	14.5	28,600	3.78	8.2	17,000	2.56
4194598	25HCC530A**30	CNPV*3621A**	58HDV060-12	28,000	12.0	14.5	28,600	3.82	8.2	17,100	2.58
3675740	25HCC530A**30	CNPV*3621A**	58MV(B,C)080-14	27,600	12.0	14.5	28,000	3.78	8.1	16,600	2.58
3675741	25HCC530A**30	CNPV*3621A**	58MV(B,C)080-20	27,800	12.2	15.0	28,000	3.82	8.1	16,700	2.60
3675742	25HCC530A**30	CNPV*3621A**	58MV(B,C)100-20	27,600	12.0	14.5	28,000	3.76	8.0	16,600	2.58
3675744	25HCC530A**30	CNPV*3621A**	58PH*090-16	28,000	12.0	14.5	28,400	3.86	8.2	16,800	2.62
3675752	25HCC530A**30	CNPV*3621A**	58UVB080-14	27,600	12.0	14.5	28,000	3.78	8.1	16,600	2.58
3675753	25HCC530A**30	CNPV*3621A**	58UVB080-20	27,800	12.2	15.0	28,000	3.82	8.1	16,700	2.60
3675754	25HCC530A**30	CNPV*3621A**	58UVB100-20	27,600	12.0	14.5	28,000	3.76	8.0	16,600	2.58
4803854	25HCC530A**30	CNPV*3621A**	59*N*A060V17**14	27,600	12.0	14.5	28,200	3.76	8.2	16,800	2.56
4803855	25HCC530A**30	CNPV*3621A**	59*N*A080V17**14	27,800	12.0	14.5	28,200	3.82	8.2	16,800	2.58
4803856	25HCC530A**30	CNPV*3621A**	59*N*A100V21**20	28,000	12.0	14.5	28,400	3.84	8.2	16,900	2.60
4803857	25HCC530A**30	CNPV*3621A**	59*P5A060E17**14	27,800	12.0	14.5	28,400	3.82	8.2	16,900	2.58
4803858	25HCC530A**30	CNPV*3621A**	59*P5A080E17**16	28,200	12.0	14.5	28,600	3.86	8.2	17,000	2.60
4194624	25HCC530A**30	CNPV*3621A**	OVLAAB036098	27,800	12.0	14.5	28,400	3.80	8.2	16,800	2.58
4194623	25HCC530A**30	CNPV*3621A**	OVMAAB036098	27,800	12.0	14.5	28,400	3.80	8.2	16,900	2.58
4194625	25HCC530A**30	CNPV*3621A**	OVMAAB042112	28,000	12.5	15.0	28,200	3.86	8.2	16,700	2.62
3675758	25HCC530A**30	CNPV*3621A**+TDR		27,800	11.2	13.0	29,200	3.72	8.0	17,600	2.50
3675761	25HCC530A**30	CNPV*3717A**	58CV(A,X)090-16	28,800	12.5	15.5	28,400	4.12	8.6	16,800	2.70
4194599	25HCC530A**30	CNPV*3717A**	58HDV040-12	28,800	12.0	15.0	29,000	4.06	8.5	17,300	2.64
4194600	25HCC530A**30	CNPV*3717A**	58HDV060-12	29,000	12.5	15.0	28,800	4.12	8.5	17,300	2.68
3675764	25HCC530A**30	CNPV*3717A**	58ME(B,C)060-12	28,800	12.5	15.5	28,600	4.24	8.9	17,100	2.74
3675765	25HCC530A**30	CNPV*3717A**	58ME(B,C)080-12	29,200	12.5	15.5	28,600	4.20	8.8	17,000	2.74
3675766	25HCC530A**30	CNPV*3717A**	58ME(B,C)080-16	29,400	12.5	15.5	28,800	4.24	8.9	17,200	2.74
3675763	25HCC530A**30	CNPV*3717A**	58MEB040-12	28,800	13.0	15.5	28,600	4.22	8.9	17,000	2.74
3675760	25HCC530A**30	CNPV*3717A**	58MV(B,C)060-14	28,800	12.5	15.5	28,600	4.16	8.7	16,900	2.72
3675762	25HCC530A**30	CNPV*3717A**	58PH*070-16	29,000	12.5	15.0	28,800	4.12	8.7	17,200	2.68
3675774	25HCC530A**30	CNPV*3717A**	58UVB060-14	28,800	12.5	15.5	28,600	4.16	8.7	16,900	2.72
3810645	25HCC530A**30	CNPV*3717A**	58VLR105-12	28,800	12.5	15.0	28,600	4.14	8.5	17,000	2.70
3810644	25HCC530A**30	CNPV*3717A**	58VMR105-12	28,400	12.5	15.0	28,400	4.04	8.5	16,700	2.68
4803859	25HCC530A**30	CNPV*3717A**	59*N*A060V17**14	28,600	12.5	15.2	28,600	4.04	8.5	17,000	2.64
4803860	25HCC530A**30	CNPV*3717A**	59*N*A080V17**14	28,800	12.5	15.2	28,600	4.08	8.5	17,000	2.68
4803861	25HCC530A**30	CNPV*3717A**	59*P5A060E17**14	29,000	12.5	15.2	28,800	4.10	8.8	17,200	2.68
4803862	25HCC530A**30	CNPV*3717A**	59*P5A080E17**16	29,200	12.5	15.2	28,800	4.14	8.8	17,300	2.70
4194627	25HCC530A**30	CNPV*3717A**	OVLAAB036098	28,800	12.5	15.0	28,600	4.08	8.5	17,000	2.68
4194626	25HCC530A**30	CNPV*3717A**	OVMAAB036098	28,800	12.5	15.0	28,800	4.08	8.5	17,100	2.66
4194628	25HCC530A**30	CNPV*3717A**	OVMAAB042112	29,000	12.5	15.0	28,600	4.16	8.5	16,900	2.72
3675776	25HCC530A**30	CNPV*3717A**+TDR		28,800	11.5	13.5	29,400	3.96	8.4	17,900	2.58
3675970	25HCC530A**30	CSPH*3012A**	58CV(A,X)070-12	27,800	12.0	14.5	28,200	3.82	8.1	16,800	2.58
3675971	25HCC530A**30	CSPH*3012A**	58CV(A,X)090-16	27,800	12.5	15.0	28,200	3.84	8.2	16,700	2.60
3675972	25HCC530A**30	CSPH*3012A**	58CV(A,X)110-20	27,800	12.5	15.0	28,200	3.84	8.2	16,700	2.60
3675973	25HCC530A**30	CSPH*3012A**	58CV(A,X)135-22	27,800	12.5	15.0	28,000	3.86	8.2	16,700	2.62
3675974	25HCC530A**30	CSPH*3012A**	58CV(A,X)155-22	27,800	12.5	15.0	28,200	3.86	8.2	16,700	2.62
3675981	25HCC530A**30	CSPH*3012A**	58HDV040-12	27,800	11.5	14.0	28,600	3.76	8.1	17,000	2.54
3675982	25HCC530A**30	CSPH*3012A**	58HDV060-12	28,000	12.0	14.5	28,600	3.80	8.1	17,100	2.56
3675978	25HCC530A**30	CSPH*3012A**	58ME(B,C)060-12	28,000	12.5	15.0	28,400	3.90	8.3	16,900	2.64
3675979	25HCC530A**30	CSPH*3012A**	58ME(B,C)080-12	28,000	12.5	15.0	28,200	3.88	8.3	16,800	2.62
3675980	25HCC530A**30	CSPH*3012A**	58ME(B,C)080-16	28,000	12.0	14.5	28,400	3.92	8.3	17,000	2.64
3675977	25HCC530A**30	CSPH*3012A**	58MEB040-12	28,000	12.5	15.0	28,200	3.90	8.3	16,800	2.64
3675985	25HCC530A**30	CSPH*3012A**	58MV(B,C)060-14	27,800	12.5	15.0	28,200	3.88	8.2	16,800	2.62
3675986	25HCC530A**30	CSPH*3012A**	58MV(B,C)080-14	27,600	12.0	14.5	28,200	3.78	8.1	16,700	2.58
3675967	25HCC530A**30	CSPH*3012A**	58MV(B,C)080-20	27,800	12.0	14.5	28,200	3.82	8.1	16,700	2.60
3675968	25HCC530A**30	CSPH*3012A**	58MV(B,C)100-20	27,600	12.0	14.5	28,000	3.76	8.0	16,600	2.58
3675969	25HCC530A**30	CSPH*3012A**	58MV(B,C)120-20	27,800	12.5	15.0	28,000	3.86	8.2	16,700	2.62
3675964	25HCC530A**30	CSPH*3012A**	58MVB040-14	27,600	12.0	14.5	28,200	3.80	8.1	16,800	2.58
3675975	25HCC530A**30	CSPH*3012A**	58PH*070-16	27,800	12.0	14.5	28,400	3.82	8.1	16,900	2.58
3675976	25HCC530A**30	CSPH*3012A**	58PH*090-16	27,800	12.0	14.5	28,200	3.84	8.2	16,800	2.60
3810651	25HCC530A**30	CSPH*3012A**	58VLR105-12	28,000	12.0	15.0	28,400	3.86	8.5	16,900	2.60
3810650	25HCC530A**30	CSPH*3012A**	58VMR105-12	27,600	12.0	15.0	28,000	3.76	8.2	16,600	2.56
4803881	25HCC530A**30	CSPH*3012A**	59*N*A060V17**14	27,800	12.0	14.5	28,400	3.82	8.2	16,900	2.56
4803882	25HCC530A**30	CSPH*3012A**	59*N*A080V17**14	28,000	12.0	14.5	28,400	3.86	8.2	16,900	2.58
4803883	25HCC530A**30	CSPH*3012A**	59*N*A100V21**20	28,000	12.0	14.5	28,600	3.90	8.2	17,000	2.60
4803884	25HCC530A**30	CSPH*3012A**	59*N*A120V24**22	28,000	12.4	15.0	28,400	3.90	8.5	16,800	2.62
4803885	25HCC530A**30	CSPH*3012A**	59*P5A060E17**14	28,000	12.0	14.5	28,600	3.86	8.2	17,000	2.58
4803886	25HCC530A**30	CSPH*3012A**	59*P5A080E17**16	28,200	12.0	14.5	28,800	3.92	8.5	17,100	2.60
4194639	25HCC530A**30	CSPH*3012A**	OVLAAB036098	27,800	12.0	14.5	28,600	3.86	8.2	16,900	2.58

See notes on pg. 36

COMBINATION RATINGS CONTINUED

AHRI Ref. No.	Model Number	Coil Model Number	Furnace Model Number	Cooling Capacity	EER	SEER	High Temp		HSPF	Low Temp	
							E Capacity	E COP		H Capacity	H COP
4194638	25HCC530A**30	CSPH*3012A**	OVMAAB036098	28,000	12.0	14.5	28,600	3.86	8.2	17,000	2.58
4194640	25HCC530A**30	CSPH*3012A**	OVMAAB042112	28,000	12.0	15.0	28,400	3.92	8.5	16,900	2.62
3675994	25HCC530A**30	CSPH*3012A**+TDR		27,800	11.2	13.0	29,200	3.74	8.0	17,700	2.52
3676001	25HCC530A**30	CSPH*3612A**	58CV(A,X)070-12	27,800	12.0	14.5	28,400	3.92	8.2	16,800	2.64
3676002	25HCC530A**30	CSPH*3612A**	58CV(A,X)090-16	27,800	12.5	15.0	28,200	3.96	8.3	16,700	2.66
3676003	25HCC530A**30	CSPH*3612A**	58CV(A,X)110-20	27,800	12.5	15.0	28,000	3.98	8.3	16,800	2.66
3676004	25HCC530A**30	CSPH*3612A**	58CV(A,X)135-22	27,800	12.5	15.0	28,200	3.98	8.3	16,700	2.66
3676005	25HCC530A**30	CSPH*3612A**	58CV(A,X)155-22	27,800	12.5	15.0	28,200	3.98	8.3	16,700	2.68
3676012	25HCC530A**30	CSPH*3612A**	58HDV040--12	27,800	12.0	14.5	28,600	3.90	8.1	17,100	2.60
3676013	25HCC530A**30	CSPH*3612A**	58HDV060--12	28,000	12.0	14.5	28,600	3.96	8.2	17,200	2.62
3676009	25HCC530A**30	CSPH*3612A**	58ME(B,C)060-12	28,000	12.5	15.0	28,600	4.06	8.5	17,000	2.70
3676010	25HCC530A**30	CSPH*3612A**	58ME(B,C)080-12	28,000	12.5	15.0	28,600	4.04	8.5	16,900	2.68
3676011	25HCC530A**30	CSPH*3612A**	58ME(B,C)080-16	28,000	12.5	15.0	28,800	4.08	8.5	17,100	2.70
3676008	25HCC530A**30	CSPH*3612A**	58MEB040-12	28,000	12.5	15.0	28,600	4.06	8.5	16,900	2.70
3675996	25HCC530A**30	CSPH*3612A**	58MV(B,C)060-14	27,800	12.5	15.0	28,400	4.00	8.5	16,800	2.68
3675997	25HCC530A**30	CSPH*3612A**	58MV(B,C)080-14	27,800	12.5	15.0	28,200	3.90	8.2	16,700	2.62
3675998	25HCC530A**30	CSPH*3612A**	58MV(B,C)080-20	27,800	12.5	15.0	28,000	3.94	8.3	16,800	2.64
3675999	25HCC530A**30	CSPH*3612A**	58MV(B,C)100-20	27,800	12.5	15.0	28,200	3.88	8.2	16,700	2.62
3676000	25HCC530A**30	CSPH*3612A**	58MV(B,C)120-20	27,800	12.5	15.0	28,200	3.98	8.3	16,700	2.66
3675995	25HCC530A**30	CSPH*3612A**	58MVB040-14	27,800	12.0	14.5	28,400	3.92	8.2	16,800	2.64
3676006	25HCC530A**30	CSPH*3612A**	58PH*070-16	28,000	12.0	14.5	28,600	3.96	8.3	17,000	2.64
3676007	25HCC530A**30	CSPH*3612A**	58PH*090-16	28,000	12.5	15.0	28,600	4.02	8.3	17,000	2.68
3810653	25HCC530A**30	CSPH*3612A**	58VLR105-12	28,400	12.5	15.0	28,600	3.98	8.5	16,900	2.66
3810652	25HCC530A**30	CSPH*3612A**	58VLR105-12	28,200	12.5	15.0	28,200	3.88	8.5	16,700	2.62
4803887	25HCC530A**30	CSPH*3612A**	59*N*A060V17**14	28,200	12.0	14.5	28,400	3.88	8.2	16,900	2.60
4803888	25HCC530A**30	CSPH*3612A**	59*N*A080V17**14	28,400	12.5	15.0	28,600	3.94	8.5	16,900	2.62
4803889	25HCC530A**30	CSPH*3612A**	59*N*A100V21**20	28,600	12.5	15.2	28,600	3.98	8.5	17,000	2.64
4803890	25HCC530A**30	CSPH*3612A**	59*N*A120V24**22	28,600	12.5	15.2	28,400	3.98	8.5	16,800	2.66
4803891	25HCC530A**30	CSPH*3612A**	59*P5A060E17**14	28,600	12.4	15.0	28,600	3.94	8.5	17,000	2.62
4803892	25HCC530A**30	CSPH*3612A**	59*P5A080E17**16	28,800	12.4	15.0	28,800	4.00	8.5	17,200	2.64
4194642	25HCC530A**30	CSPH*3612A**	OVLAAB036098	28,400	12.5	15.0	28,600	3.92	8.5	16,900	2.62
4194641	25HCC530A**30	CSPH*3612A**	OVMAAB036098	28,400	12.0	15.0	28,600	3.92	8.5	17,000	2.62
4194643	25HCC530A**30	CSPH*3612A**	OVMAAB042112	28,600	12.5	15.0	28,400	4.00	8.5	16,800	2.66
3676048	25HCC530A**30	CSPH*3612A**+TDR		27,800	11.2	13.0	29,200	3.86	8.0	17,800	2.54
3810630	25HCC530A**30	FB4CNF030		28,000	12.0	13.5	28,600	3.86	8.2	17,000	2.60
3693232	25HCC530A**30	FB4CNF030+TXV		28,000	12.0	14.5	28,600	3.88	8.2	17,100	2.60
3810631	25HCC530A**30	FB4CNF036		28,000	12.0	13.5	28,600	3.86	8.2	17,000	2.60
3693233	25HCC530A**30	FB4CNF036+TXV		28,000	12.0	14.5	28,600	3.88	8.2	17,100	2.60
3676190	25HCC530A**30	FE4AN(B,F)003+UI		28,200	12.5	15.5	28,000	3.92	8.5	16,600	2.66
3676193	25HCC530A**30	FE4AN(B,F)005+UI		28,800	13.0	15.5	28,000	4.14	9.0	16,700	2.74
3676203	25HCC530A**30	FE4ANF002+UI		28,000	12.5	15.0	28,200	3.90	8.5	16,700	2.62
3676212	25HCC530A**30	FF1ENP030		27,400	11.2	13.0	29,000	3.68	7.9	17,400	2.48
3676214	25HCC530A**30	FF1ENP031		28,000	12.0	14.5	28,600	3.86	8.2	17,000	2.60
3676215	25HCC530A**30	FF1ENP036		28,000	11.2	13.5	29,000	3.72	8.0	17,500	2.50
3676218	25HCC530A**30	FF1ENP037		28,200	12.0	14.0	28,800	3.86	8.2	17,200	2.58
3676237	25HCC530A**30	FV4CN(B,F)003		28,200	12.5	15.5	28,000	3.92	8.5	16,600	2.64
3676240	25HCC530A**30	FV4CN(B,F)005		28,800	13.0	15.5	28,000	4.14	9.0	16,700	2.74
3676250	25HCC530A**30	FV4CNF002		28,000	12.5	15.0	28,200	3.90	8.5	16,700	2.62
3676267	25HCC530A**30	FX4DN(B,F)037		29,000	12.5	15.0	28,800	4.12	8.7	17,100	2.70
3810632	25HCC530A**30	FY5BNF030		28,200	11.5	13.5	28,800	3.86	8.2	17,200	2.58
3693245	25HCC530A**30	FY5BNF030+TXV		28,200	12.0	14.0	28,800	3.86	8.2	17,200	2.58
3810633	25HCC530A**30	FY5BNF036		28,000	11.5	13.0	29,000	3.80	8.2	17,400	2.54
3693246	25HCC530A**30	FY5BNF036+TXV		28,000	11.5	13.5	29,000	3.80	8.1	17,400	2.54
3676268	25HCC536A**30	FX4DN(B,F)037		34,800	12.5	15.0	35,200	3.88	8.7	22,000	2.64
3675167	25HCC536A**30	CAP**3614A**	58CV(A,X)070-12	33,200	11.5	14.0	34,400	3.56	7.9	21,600	2.50
3675168	25HCC536A**30	CAP**3614A**	58PH*045-08	33,200	11.0	13.5	34,800	3.52	7.8	22,000	2.46
3675170	25HCC536A**30	CAP**3614A**+TDR		33,200	11.0	13.0	35,200	3.52	7.8	22,400	2.44
3675179	25HCC536A**30	CAP**3617A**	58CV(A,X)090-16	33,400	12.0	14.5	34,200	3.62	8.0	21,400	2.54
4194644	25HCC536A**30	CAP**3617A**	58HDV040--12	33,400	11.2	13.0	35,000	3.52	8.0	22,000	2.46
4194645	25HCC536A**30	CAP**3617A**	58HDV060--12	33,800	11.5	13.5	35,000	3.60	8.0	22,000	2.50
3675182	25HCC536A**30	CAP**3617A**	58ME(B,C)060-12	33,600	12.0	14.0	34,600	3.68	8.1	21,600	2.56
3675183	25HCC536A**30	CAP**3617A**	58ME(B,C)080-12	33,600	12.0	14.5	34,400	3.66	8.1	21,600	2.54
3675184	25HCC536A**30	CAP**3617A**	58ME(B,C)080-16	33,600	12.0	14.0	34,600	3.68	8.1	21,600	2.56
3675181	25HCC536A**30	CAP**3617A**	58MEB040-12	33,600	12.0	14.5	34,400	3.68	8.1	21,600	2.56
3675178	25HCC536A**30	CAP**3617A**	58MV(B,C)060-14	33,600	12.0	14.0	34,400	3.64	8.0	21,600	2.54
3675180	25HCC536A**30	CAP**3617A**	58PH*070-16	33,400	11.5	14.0	34,600	3.60	7.9	21,800	2.50
3675186	25HCC536A**30	CAP**3617A**	58UVB060-14	33,600	12.0	14.0	34,400	3.64	8.0	21,600	2.54
3810659	25HCC536A**30	CAP**3617A**	58VLR105-12	33,800	11.5	14.0	34,600	3.62	8.0	21,600	2.52
3810658	25HCC536A**30	CAP**3617A**	58VLR105-12	33,400	12.0	14.0	34,200	3.56	8.0	21,400	2.50
4803893	25HCC536A**30	CAP**3617A**	59*N*A060V17**14	33,200	11.5	14.0	34,200	3.50	7.8	21,400	2.46
4803894	25HCC536A**30	CAP**3617A**	59*N*A080V17**14	33,400	11.8	14.2	34,200	3.54	8.0	21,400	2.48
4803895	25HCC536A**30	CAP**3617A**	59*P5A060E17**14	33,600	11.5	14.0	34,600	3.58	8.0	21,800	2.48
4803896	25HCC536A**30	CAP**3617A**	59*P5A080E17**16	33,600	11.8	14.2	34,400	3.58	8.0	21,400	2.50
4194667	25HCC536A**30	CAP**3617A**	OVLAAB036098	33,400	11.5	13.5	34,600	3.54	8.0	21,800	2.48
4194666	25HCC536A**30	CAP**3617A**	OVMAAB036098	33,600	11.5	13.5	34,800	3.56	8.0	21,800	2.48
4194668	25HCC536A**30	CAP**3617A**	OVMAAB042112	33,600	11.5	14.0	34,600	3.60	8.0	21,600	2.52
3675188	25HCC536A**30	CAP**3617A**+TDR		33,600	11.0	13.0	35,600	3.58	7.9	22,600	2.46
3675193	25HCC536A**30	CAP**3619A**	58HDV040--12	33,200	11.0	13.5	35,000	3.52	7.8	22,000	2.46

25HCC5

See notes on pg. 36

COMBINATION RATINGS CONTINUED

AHRI Ref. No.	Model Number	Coil Model Number	Furnace Model Number	Cooling Capacity	EER	SEER	High Temp		HSPF	Low Temp	
							E Capacity	E COP		H Capacity	H COP
3675194	25HCC536A**30	CAP**3619A**	58HDV060--12	33,400	11.5	13.5	35,000	3.60	7.9	22,000	2.50
4803909	25HCC536A**30	CAP**3619A**	59*N*A060V17**14	33,200	11.5	14.0	34,200	3.50	7.8	21,400	2.46
4803910	25HCC536A**30	CAP**3619A**	59*N*A080V17**14	33,400	11.8	14.2	34,200	3.54	8.0	21,400	2.48
4803911	25HCC536A**30	CAP**3619A**	59*N*A100V21**20	33,600	11.8	14.2	34,200	3.58	8.0	21,400	2.50
4803912	25HCC536A**30	CAP**3619A**	59*P5A060E17**14	33,600	11.5	14.0	34,600	3.58	8.0	21,800	2.48
4803913	25HCC536A**30	CAP**3619A**	59*P5A080E17**16	33,600	11.8	14.2	34,400	3.58	8.0	21,400	2.50
4194679	25HCC536A**30	CAP**3619A**	OVLAAB036098	33,400	11.5	13.5	34,600	3.54	8.0	21,800	2.48
4194681	25HCC536A**30	CAP**3619A**	OVLAAB048112	33,800	11.5	14.0	34,800	3.62	8.2	21,800	2.52
4194678	25HCC536A**30	CAP**3619A**	OVMAAB036098	33,600	11.5	13.5	34,800	3.56	8.0	21,800	2.48
4194680	25HCC536A**30	CAP**3619A**	OVMAAB042112	33,600	11.5	14.0	34,600	3.60	8.0	21,600	2.52
3675196	25HCC536A**30	CAP**3619A**+TDR		33,600	11.0	13.0	35,600	3.58	7.9	22,600	2.46
3675205	25HCC536A**30	CAP**3621A**	58CV(A,X)110--20	33,600	12.0	14.5	34,200	3.66	8.0	21,400	2.54
4194646	25HCC536A**30	CAP**3621A**	58HDV040--12	33,600	11.2	13.5	35,000	3.54	8.0	22,000	2.46
4194647	25HCC536A**30	CAP**3621A**	58HDV060--12	34,000	11.5	14.0	35,000	3.62	8.0	22,000	2.52
4194648	25HCC536A**30	CAP**3621A**	58HDV080--20	34,400	12.0	14.0	35,000	3.74	8.2	22,000	2.58
3675208	25HCC536A**30	CAP**3621A**	58ME(B,C)100--20	33,600	12.0	14.5	34,200	3.70	8.1	21,400	2.58
3675202	25HCC536A**30	CAP**3621A**	58MV(B,C)080--14	33,400	12.0	14.0	34,400	3.62	8.0	21,600	2.52
3675203	25HCC536A**30	CAP**3621A**	58MV(B,C)080--20	33,400	12.0	14.5	34,200	3.62	8.0	21,400	2.52
3675204	25HCC536A**30	CAP**3621A**	58MV(B,C)100--20	33,600	12.0	14.5	34,400	3.66	8.0	21,400	2.54
3675206	25HCC536A**30	CAP**3621A**	58PH*090--16	33,800	12.0	14.5	34,400	3.72	8.2	21,600	2.58
3675207	25HCC536A**30	CAP**3621A**	58PH*110--20	34,000	12.0	14.5	34,600	3.74	8.2	21,600	2.60
3675212	25HCC536A**30	CAP**3621A**	58UVB080--14	33,400	12.0	14.0	34,400	3.62	8.0	21,600	2.52
3675213	25HCC536A**30	CAP**3621A**	58UVB080--20	33,400	12.0	14.5	34,200	3.62	8.0	21,400	2.52
3675214	25HCC536A**30	CAP**3621A**	58UVB100--20	33,600	12.0	14.5	34,400	3.66	8.0	21,400	2.54
3810661	25HCC536A**30	CAP**3621A**	58VLR120--20	33,800	12.0	14.5	34,200	3.66	8.0	21,200	2.56
3810660	25HCC536A**30	CAP**3621A**	58VMR120--20	33,600	12.0	14.5	34,200	3.62	8.0	21,400	2.52
4803897	25HCC536A**30	CAP**3621A**	59*N*A060V17**14	33,200	11.8	14.0	34,200	3.52	7.8	21,400	2.46
4803898	25HCC536A**30	CAP**3621A**	59*N*A080V17**14	33,400	11.8	14.2	34,200	3.56	8.0	21,200	2.50
4803899	25HCC536A**30	CAP**3621A**	59*N*A100V21**20	33,600	12.0	14.5	34,200	3.60	8.0	21,400	2.50
4803900	25HCC536A**30	CAP**3621A**	59*P5A060E17**14	33,800	11.5	14.0	34,600	3.60	8.0	21,800	2.50
4803901	25HCC536A**30	CAP**3621A**	59*P5A080E17**16	33,600	11.8	14.2	34,400	3.60	8.0	21,400	2.52
4194670	25HCC536A**30	CAP**3621A**	OVLAAB036098	33,400	11.5	14.0	34,600	3.56	8.0	21,600	2.48
4194672	25HCC536A**30	CAP**3621A**	OVLAAB048112	33,800	12.0	14.0	34,600	3.64	8.0	21,800	2.54
4194669	25HCC536A**30	CAP**3621A**	OVMAAB036098	33,600	11.5	14.0	34,600	3.58	8.0	21,800	2.50
4194671	25HCC536A**30	CAP**3621A**	OVMAAB042112	33,800	12.0	14.0	34,400	3.62	8.2	21,600	2.52
3675216	25HCC536A**30	CAP**3621A**+TDR		33,600	11.0	13.0	35,600	3.58	7.9	22,600	2.46
3675220	25HCC536A**30	CAP**4221A**	58CV(A,X)110--20	33,800	12.0	14.5	34,400	3.70	8.1	21,400	2.56
4194649	25HCC536A**30	CAP**4221A**	58HDV040--12	33,800	11.5	13.5	35,000	3.58	8.0	22,200	2.48
4194650	25HCC536A**30	CAP**4221A**	58HDV060--12	34,200	11.5	14.0	35,000	3.66	8.2	22,000	2.52
4194651	25HCC536A**30	CAP**4221A**	58HDV080--20	34,600	12.0	14.0	35,200	3.78	8.4	22,200	2.58
3675223	25HCC536A**30	CAP**4221A**	58ME(B,C)100--20	34,000	12.0	14.5	34,400	3.74	8.2	21,400	2.60
3675217	25HCC536A**30	CAP**4221A**	58MV(B,C)080--14	33,600	12.0	14.0	34,600	3.66	8.1	21,600	2.54
3675218	25HCC536A**30	CAP**4221A**	58MV(B,C)080--20	33,600	12.0	14.5	34,400	3.66	8.1	21,400	2.54
3675219	25HCC536A**30	CAP**4221A**	58MV(B,C)100--20	33,800	12.0	14.5	34,400	3.70	8.1	21,600	2.56
3675221	25HCC536A**30	CAP**4221A**	58PH*090--16	34,000	12.0	14.5	34,600	3.76	8.2	21,600	2.60
3675222	25HCC536A**30	CAP**4221A**	58PH*110--20	34,200	12.0	14.5	34,600	3.78	8.3	21,600	2.62
3675231	25HCC536A**30	CAP**4221A**	58UVB080--14	33,600	12.0	14.0	34,600	3.66	8.1	21,600	2.54
3675232	25HCC536A**30	CAP**4221A**	58UVB080--20	33,600	12.0	14.5	34,400	3.66	8.1	21,400	2.54
3675233	25HCC536A**30	CAP**4221A**	58UVB100--20	33,800	12.0	14.5	34,400	3.70	8.1	21,600	2.56
3810663	25HCC536A**30	CAP**4221A**	58VLR120--20	34,000	12.0	14.5	34,200	3.70	8.2	21,400	2.58
3810662	25HCC536A**30	CAP**4221A**	58VMR120--20	34,000	12.0	14.5	34,400	3.66	8.2	21,400	2.54
4803902	25HCC536A**30	CAP**4221A**	59*N*A060V17**14	33,600	11.8	14.2	34,200	3.56	8.0	21,400	2.48
4803903	25HCC536A**30	CAP**4221A**	59*N*A080V17**14	33,600	12.0	14.5	34,200	3.60	8.0	21,400	2.50
4803904	25HCC536A**30	CAP**4221A**	59*N*A100V21**20	33,800	12.0	14.5	34,400	3.64	8.2	21,400	2.52
4803905	25HCC536A**30	CAP**4221A**	59*P5A060E17**14	34,000	11.8	14.2	34,800	3.64	8.2	21,800	2.52
4803906	25HCC536A**30	CAP**4221A**	59*P5A080E17**16	34,000	12.0	14.5	34,400	3.64	8.2	21,600	2.52
4194674	25HCC536A**30	CAP**4221A**	OVLAAB036098	33,800	11.5	14.0	34,600	3.60	8.0	21,800	2.50
4194676	25HCC536A**30	CAP**4221A**	OVLAAB048112	34,200	12.0	14.0	34,800	3.68	8.2	21,800	2.54
4194673	25HCC536A**30	CAP**4221A**	OVMAAB036098	33,800	11.5	14.0	34,800	3.62	8.2	21,800	2.50
4194675	25HCC536A**30	CAP**4221A**	OVMAAB042112	34,000	12.0	14.0	34,600	3.66	8.2	21,600	2.54
3675237	25HCC536A**30	CAP**4221A**+TDR		33,800	11.0	13.0	35,600	3.62	8.0	22,600	2.48
3675241	25HCC536A**30	CAP**4224A**	58CV(A,X)135--22	33,800	12.0	14.5	34,200	3.70	8.2	21,400	2.58
3675242	25HCC536A**30	CAP**4224A**	58CV(A,X)155--22	33,800	12.5	15.0	34,200	3.74	8.2	21,200	2.60
4194652	25HCC536A**30	CAP**4224A**	58HDV080--20	34,600	12.0	14.5	35,200	3.78	8.4	22,200	2.60
3675243	25HCC536A**30	CAP**4224A**	58HDV100--20	34,200	12.0	14.5	34,800	3.78	8.3	21,800	2.60
3675240	25HCC536A**30	CAP**4224A**	58MV(B,C)120--20	33,800	12.0	14.5	34,200	3.70	8.1	21,400	2.58
3675239	25HCC536A**30	CAP**4224A**	58MV(B,C)040--14	33,600	12.0	14.0	34,400	3.64	8.0	21,600	2.52
3675251	25HCC536A**30	CAP**4224A**	58UVB120--20	33,800	12.0	14.5	34,200	3.70	8.1	21,400	2.58
4803907	25HCC536A**30	CAP**4224A**	59*N*A100V21**20	33,800	12.0	14.5	34,400	3.64	8.2	21,400	2.54
4803908	25HCC536A**30	CAP**4224A**	59*N*A120V24**22	33,800	12.0	14.5	34,200	3.66	8.2	21,200	2.54
4194677	25HCC536A**30	CAP**4224A**	OVLAAB048112	34,200	12.0	14.5	34,800	3.70	8.2	21,800	2.56
3675253	25HCC536A**30	CAP**4224A**+TDR		33,800	11.0	13.0	35,600	3.62	8.0	22,600	2.48
3675454	25HCC536A**30	CNPH*3617A**	58CV(A,X)070--12	33,200	11.5	14.0	34,400	3.56	7.9	21,600	2.50
3675455	25HCC536A**30	CNPH*3617A**	58CV(A,X)090--16	33,400	12.0	14.0	34,200	3.60	7.9	21,400	2.52
3675456	25HCC536A**30	CNPH*3617A**	58CV(A,X)110--20	33,400	12.0	14.0	34,200	3.62	8.0	21,400	2.52
3675457	25HCC536A**30	CNPH*3617A**	58CV(A,X)135--22	33,400	12.0	14.5	34,200	3.62	8.0	21,400	2.52
3675458	25HCC536A**30	CNPH*3617A**	58CV(A,X)155--22	33,400	12.0	14.5	34,200	3.64	8.0	21,400	2.54
3675468	25HCC536A**30	CNPH*3617A**	58HDV040--12	33,200	11.0	13.5	34,800	3.50	7.7	22,000	2.44
3675469	25HCC536A**30	CNPH*3617A**	58HDV060--12	33,400	11.5	13.5	34,800	3.56	7.9	22,000	2.48

See notes on pg. 36

COMBINATION RATINGS CONTINUED

AHRI Ref. No.	Model Number	Coil Model Number	Furnace Model Number	Cooling Capacity	EER	SEER	High Temp		HSPF	Low Temp	
							E Capacity	E COP		H Capacity	H COP
3675470	25HCC536A**30	CNPH*3617A**	58HDV080--20	33,800	11.5	14.0	35,000	3.66	8.1	22,000	2.54
3675471	25HCC536A**30	CNPH*3617A**	58HDV100--20	33,800	12.0	14.0	34,600	3.64	8.0	21,600	2.54
3675464	25HCC536A**30	CNPH*3617A**	58ME(B,C)060-12	33,600	12.0	14.0	34,400	3.64	8.0	21,600	2.54
3675465	25HCC536A**30	CNPH*3617A**	58ME(B,C)080-12	33,400	12.0	14.0	34,400	3.62	8.0	21,400	2.52
3675466	25HCC536A**30	CNPH*3617A**	58ME(B,C)080-16	33,400	12.0	14.0	34,400	3.64	8.0	21,600	2.54
3675467	25HCC536A**30	CNPH*3617A**	58ME(B,C)100-20	33,400	12.0	14.5	34,200	3.62	8.0	21,200	2.54
3675463	25HCC536A**30	CNPH*3617A**	58MEB040-12	33,400	12.0	14.0	34,400	3.64	8.0	21,400	2.54
3675449	25HCC536A**30	CNPH*3617A**	58MV(B,C)060-14	33,400	12.0	14.0	34,400	3.62	8.0	21,600	2.52
3675450	25HCC536A**30	CNPH*3617A**	58MV(B,C)080-14	33,200	11.5	14.0	34,400	3.58	7.9	21,600	2.50
3675451	25HCC536A**30	CNPH*3617A**	58MV(B,C)080-20	33,200	11.5	14.0	34,200	3.58	7.9	21,400	2.50
3675452	25HCC536A**30	CNPH*3617A**	58MV(B,C)100-20	33,400	12.0	14.0	34,400	3.62	8.0	21,600	2.52
3675453	25HCC536A**30	CNPH*3617A**	58MV(B,C)120-20	33,400	12.0	14.0	34,200	3.60	7.9	21,400	2.52
3675448	25HCC536A**30	CNPH*3617A**	58MVB040-14	33,200	11.5	14.0	34,400	3.54	7.8	21,600	2.48
3675459	25HCC536A**30	CNPH*3617A**	58PH*045-08	33,200	11.2	13.5	34,800	3.52	7.8	22,000	2.46
3675460	25HCC536A**30	CNPH*3617A**	58PH*070-16	33,200	11.5	13.5	34,600	3.56	7.8	21,600	2.48
3675461	25HCC536A**30	CNPH*3617A**	58PH*090-16	33,400	12.0	14.5	34,400	3.64	8.0	21,400	2.54
3675462	25HCC536A**30	CNPH*3617A**	58PH*110-20	33,600	12.0	14.5	34,400	3.66	8.1	21,400	2.56
3810675	25HCC536A**30	CNPH*3617A**	58VLR105-12	33,800	11.5	14.0	34,600	3.60	8.0	21,800	2.50
3810677	25HCC536A**30	CNPH*3617A**	58VLR120-20	33,600	12.0	14.5	34,200	3.62	8.0	21,400	2.54
3810674	25HCC536A**30	CNPH*3617A**	58VMR105-12	33,400	11.5	14.0	34,400	3.54	8.0	21,400	2.48
3810676	25HCC536A**30	CNPH*3617A**	58VMR120-20	33,600	12.0	14.0	34,400	3.58	8.0	21,400	2.50
4803938	25HCC536A**30	CNPH*3617A**	59*N*A060V17**14	33,200	11.5	14.0	34,200	3.48	7.8	21,400	2.44
4803939	25HCC536A**30	CNPH*3617A**	59*N*A080V17**14	33,200	11.8	14.2	34,200	3.52	7.8	21,400	2.46
4803940	25HCC536A**30	CNPH*3617A**	59*N*A100V21**20	33,400	11.8	14.2	34,400	3.54	8.0	21,400	2.48
4803941	25HCC536A**30	CNPH*3617A**	59*N*A120V24**22	33,400	11.8	14.2	34,200	3.56	8.0	21,200	2.50
4803942	25HCC536A**30	CNPH*3617A**	59*P5A060E17**14	33,600	11.5	14.0	34,600	3.54	8.0	21,800	2.48
4803943	25HCC536A**30	CNPH*3617A**	59*P5A080E17**16	33,400	11.8	14.2	34,200	3.54	8.0	21,400	2.48
4194701	25HCC536A**30	CNPH*3617A**	OVLAAB036098	33,400	11.5	13.5	34,600	3.52	8.0	21,800	2.46
4194703	25HCC536A**30	CNPH*3617A**	OVLAAB048112	33,800	11.5	14.0	34,800	3.60	8.0	21,800	2.50
4194700	25HCC536A**30	CNPH*3617A**	OVMAAB036098	33,400	11.5	13.5	34,800	3.52	7.7	21,800	2.46
4194702	25HCC536A**30	CNPH*3617A**	OVMAAB042112	33,600	11.5	14.0	34,600	3.58	8.0	21,600	2.50
3675483	25HCC536A**30	CNPH*3617A**+TDR		33,600	11.0	13.0	35,600	3.56	7.9	22,600	2.46
3675490	25HCC536A**30	CNPH*4221A**	58CV(A,X)070-12	33,600	12.0	14.0	34,600	3.64	8.0	21,600	2.52
3675491	25HCC536A**30	CNPH*4221A**	58CV(A,X)090-16	33,600	12.0	14.5	34,400	3.68	8.1	21,400	2.56
3675492	25HCC536A**30	CNPH*4221A**	58CV(A,X)110-20	33,800	12.0	14.5	34,400	3.70	8.1	21,600	2.56
3675493	25HCC536A**30	CNPH*4221A**	58CV(A,X)135-22	33,800	12.0	14.5	34,200	3.70	8.1	21,400	2.56
3675494	25HCC536A**30	CNPH*4221A**	58CV(A,X)155-22	33,800	12.0	14.5	34,200	3.72	8.2	21,400	2.58
3675504	25HCC536A**30	CNPH*4221A**	58HDV040--12	33,800	11.5	13.5	35,000	3.58	7.9	22,200	2.48
3675505	25HCC536A**30	CNPH*4221A**	58HDV060--12	33,800	11.5	14.0	35,000	3.64	8.0	22,000	2.52
3675506	25HCC536A**30	CNPH*4221A**	58HDV080--20	34,200	12.0	14.0	35,000	3.76	8.2	22,200	2.58
3675507	25HCC536A**30	CNPH*4221A**	58HDV100--20	34,200	12.2	14.5	34,800	3.74	8.2	21,800	2.58
3675500	25HCC536A**30	CNPH*4221A**	58ME(B,C)060-12	34,000	12.0	14.5	34,600	3.74	8.2	21,800	2.58
3675501	25HCC536A**30	CNPH*4221A**	58ME(B,C)080-12	34,000	12.0	14.5	34,600	3.72	8.2	21,600	2.58
3675502	25HCC536A**30	CNPH*4221A**	58ME(B,C)080-16	34,000	12.0	14.5	34,600	3.72	8.2	21,800	2.58
3675503	25HCC536A**30	CNPH*4221A**	58ME(B,C)100-20	33,800	12.0	14.5	34,400	3.72	8.2	21,400	2.58
3675499	25HCC536A**30	CNPH*4221A**	58MEB040-12	34,000	12.0	14.5	34,600	3.74	8.2	21,600	2.58
3675485	25HCC536A**30	CNPH*4221A**	58MV(B,C)060-14	33,800	12.0	14.5	34,600	3.70	8.1	21,600	2.56
3675486	25HCC536A**30	CNPH*4221A**	58MV(B,C)080-14	33,600	12.0	14.0	34,600	3.66	8.0	21,600	2.54
3675487	25HCC536A**30	CNPH*4221A**	58MV(B,C)080-20	33,600	12.0	14.0	34,400	3.66	8.0	21,600	2.54
3675488	25HCC536A**30	CNPH*4221A**	58MV(B,C)100-20	33,800	12.0	14.5	34,400	3.70	8.1	21,600	2.56
3675489	25HCC536A**30	CNPH*4221A**	58MV(B,C)120-20	33,800	12.0	14.5	34,200	3.68	8.1	21,400	2.56
3675484	25HCC536A**30	CNPH*4221A**	58MVB040-14	33,600	11.5	14.0	34,400	3.62	8.0	21,600	2.52
3675495	25HCC536A**30	CNPH*4221A**	58PH*045-08	33,600	11.2	13.5	35,000	3.60	7.9	22,200	2.50
3675496	25HCC536A**30	CNPH*4221A**	58PH*070-16	33,600	11.5	14.0	34,800	3.64	8.0	21,800	2.52
3675497	25HCC536A**30	CNPH*4221A**	58PH*090-16	34,000	12.0	14.5	34,600	3.74	8.2	21,600	2.58
3675498	25HCC536A**30	CNPH*4221A**	58PH*110-20	34,000	12.0	14.5	34,600	3.76	8.3	21,600	2.60
3810679	25HCC536A**30	CNPH*4221A**	58VLR105-12	34,200	12.0	14.0	34,800	3.68	8.2	21,800	2.54
3810681	25HCC536A**30	CNPH*4221A**	58VLR120-20	34,000	12.0	14.5	34,400	3.70	8.2	21,400	2.56
3810678	25HCC536A**30	CNPH*4221A**	58VMR105-12	33,800	12.0	14.0	34,400	3.62	8.0	21,400	2.52
3810680	25HCC536A**30	CNPH*4221A**	58VMR120-20	34,000	12.0	14.5	34,400	3.66	8.2	21,400	2.54
4803944	25HCC536A**30	CNPH*4221A**	59*N*A060V17**14	33,600	11.8	14.2	34,400	3.56	8.0	21,400	2.48
4803945	25HCC536A**30	CNPH*4221A**	59*N*A080V17**14	33,600	11.8	14.2	34,400	3.60	8.0	21,400	2.50
4803946	25HCC536A**30	CNPH*4221A**	59*N*A100V21**20	33,800	12.0	14.5	34,400	3.62	8.0	21,600	2.52
4803947	25HCC536A**30	CNPH*4221A**	59*N*A120V24**22	33,800	12.0	14.5	34,400	3.64	8.2	21,400	2.54
4803948	25HCC536A**30	CNPH*4221A**	59*P5A060E17**14	34,000	11.8	14.2	34,800	3.62	8.0	21,800	2.52
4803949	25HCC536A**30	CNPH*4221A**	59*P5A080E17**16	33,800	11.8	14.2	34,400	3.62	8.0	21,600	2.52
4194705	25HCC536A**30	CNPH*4221A**	OVLAAB036098	33,800	11.5	14.0	34,800	3.60	8.0	21,800	2.50
4194707	25HCC536A**30	CNPH*4221A**	OVLAAB048112	34,200	11.5	14.0	34,800	3.68	8.2	22,000	2.54
4194704	25HCC536A**30	CNPH*4221A**	OVMAAB036098	33,800	11.5	14.0	34,800	3.60	8.0	22,000	2.54
4194706	25HCC536A**30	CNPH*4221A**	OVMAAB042112	34,000	12.0	14.0	34,600	3.66	8.2	21,800	2.50
3675541	25HCC536A**30	CNPH*4221A**+TDR		33,800	11.0	13.0	35,600	3.62	8.0	22,800	2.48
3675543	25HCC536A**30	CNPH*4321A**	58HDV040--12	34,200	11.5	14.0	35,400	3.76	8.2	22,400	2.56
3675544	25HCC536A**30	CNPH*4321A**	58HDV060--12	34,200	12.0	14.5	35,400	3.86	8.4	22,400	2.60
3675545	25HCC536A**30	CNPH*4321A**	58HDV080--20	34,200	12.2	14.5	35,400	3.98	8.6	22,400	2.68
3675546	25HCC536A**30	CNPH*4321A**	58HDV100--20	34,200	12.5	15.0	35,200	3.96	8.6	22,200	2.68
3810683	25HCC536A**30	CNPH*4321A**	58VLR105-12	35,200	12.0	14.5	35,200	3.88	8.5	22,000	2.64
3810685	25HCC536A**30	CNPH*4321A**	58VLR120-20	35,000	12.5	15.0	34,800	3.90	8.5	21,600	2.66
3810682	25HCC536A**30	CNPH*4321A**	58VMR105-12	34,800	12.0	15.0	34,800	3.80	8.5	21,600	2.60
3810684	25HCC536A**30	CNPH*4321A**	58VMR120-20	35,000	12.5	15.0	34,800	3.86	8.5	21,600	2.64

25HCC5

See notes on pg. 36

COMBINATION RATINGS CONTINUED

AHRI Ref. No.	Model Number	Coil Model Number	Furnace Model Number	Cooling Capacity	EER	SEER	High Temp		HSPF	Low Temp	
							E Capacity	E COP		H Capacity	H COP
4803950	25HCC536A**30	CNPH*4321A**	59*N*A060V17**14	34,400	12.0	14.5	34,800	3.74	8.2	21,600	2.56
4803951	25HCC536A**30	CNPH*4321A**	59*N*A080V17**14	34,600	12.0	14.5	34,800	3.78	8.2	21,600	2.60
4803952	25HCC536A**30	CNPH*4321A**	59*N*A100V21**20	34,800	12.5	15.0	34,800	3.82	8.5	21,800	2.60
4803953	25HCC536A**30	CNPH*4321A**	59*N*A120V24**22	34,800	12.5	15.2	34,600	3.84	8.5	21,600	2.62
4803954	25HCC536A**30	CNPH*4321A**	59*P5A060E17**14	35,000	12.0	14.5	35,200	3.82	8.5	22,200	2.60
4803955	25HCC536A**30	CNPH*4321A**	59*P5A080E17**16	35,000	12.0	14.5	35,000	3.84	8.2	21,800	2.60
4194709	25HCC536A**30	CNPH*4321A**	OVLAAB036098	34,800	12.0	14.5	35,200	3.78	8.4	22,000	2.58
4194711	25HCC536A**30	CNPH*4321A**	OVLAAB048112	35,200	12.0	14.5	35,200	3.88	8.5	22,000	2.64
4194708	25HCC536A**30	CNPH*4321A**	OVMAAB036098	34,800	12.0	14.5	35,200	3.80	8.5	22,000	2.58
4194710	25HCC536A**30	CNPH*4321A**	OVMAAB042112	35,000	12.0	14.5	35,000	3.86	8.5	21,800	2.62
3675730	25HCC536A**30	CNPV*3617A**	58CV(A,X)090-16	33,400	12.0	14.0	34,200	3.60	7.9	21,400	2.52
4194653	25HCC536A**30	CNPV*3617A**	58HDV040-12	33,400	11.2	13.0	34,800	3.50	7.7	22,000	2.44
4194654	25HCC536A**30	CNPV*3617A**	58HDV060-12	33,600	11.5	13.5	34,800	3.56	8.0	22,000	2.48
3675733	25HCC536A**30	CNPV*3617A**	58ME(B,C)060-12	33,600	12.0	14.0	34,400	3.64	8.0	21,600	2.54
3675734	25HCC536A**30	CNPV*3617A**	58ME(B,C)080-12	33,400	12.0	14.0	34,400	3.62	8.0	21,400	2.52
3675735	25HCC536A**30	CNPV*3617A**	58ME(B,C)080-16	33,400	12.0	14.0	34,400	3.64	8.0	21,600	2.54
3675732	25HCC536A**30	CNPV*3617A**	58MEB040-12	33,400	12.0	14.0	34,400	3.64	8.0	21,400	2.54
3675729	25HCC536A**30	CNPV*3617A**	58MV(B,C)060-14	33,400	12.0	14.0	34,400	3.62	8.0	21,600	2.52
3675731	25HCC536A**30	CNPV*3617A**	58PH*070-16	33,200	11.5	13.5	34,600	3.56	7.8	21,600	2.48
3675737	25HCC536A**30	CNPV*3617A**	58UVB060-14	33,400	12.0	14.0	34,400	3.62	8.0	21,600	2.52
3810665	25HCC536A**30	CNPV*3617A**	58VLR105-12	33,800	11.5	14.0	34,600	3.60	8.0	21,800	2.50
3810664	25HCC536A**30	CNPV*3617A**	58VMR105-12	33,400	11.5	14.0	34,400	3.54	8.0	21,400	2.48
4803914	25HCC536A**30	CNPV*3617A**	59*N*A060V17**14	33,200	11.5	14.0	34,200	3.48	7.8	21,400	2.44
4803915	25HCC536A**30	CNPV*3617A**	59*N*A080V17**14	33,200	11.8	14.2	34,200	3.52	7.8	21,400	2.46
4803916	25HCC536A**30	CNPV*3617A**	59*P5A060E17**14	33,600	11.5	14.0	34,600	3.54	8.0	21,800	2.48
4803917	25HCC536A**30	CNPV*3617A**	59*P5A080E17**16	33,400	11.8	14.2	34,200	3.54	8.0	21,400	2.48
4194683	25HCC536A**30	CNPV*3617A**	OVLAAB036098	33,400	11.5	13.5	34,600	3.52	8.0	21,800	2.46
4194682	25HCC536A**30	CNPV*3617A**	OVMAAB036098	33,400	11.5	13.5	34,800	3.52	8.0	21,800	2.46
4194684	25HCC536A**30	CNPV*3617A**	OVMAAB042112	33,600	11.5	14.0	34,600	3.58	8.0	21,600	2.50
3675739	25HCC536A**30	CNPV*3617A**+TDR		33,600	11.0	13.0	35,600	3.56	7.9	22,600	2.46
3675748	25HCC536A**30	CNPV*3621A**	58CV(A,X)110-20	33,400	12.0	14.0	34,200	3.62	8.0	21,400	2.52
4194655	25HCC536A**30	CNPV*3621A**	58HDV040-12	33,400	11.2	13.0	34,800	3.50	7.7	22,000	2.44
4194656	25HCC536A**30	CNPV*3621A**	58HDV060-12	33,600	11.5	13.5	34,800	3.58	8.0	22,000	2.48
4194657	25HCC536A**30	CNPV*3621A**	58HDV080-20	34,200	11.5	14.0	35,000	3.68	8.2	22,000	2.54
3675751	25HCC536A**30	CNPV*3621A**	58ME(B,C)100-20	33,400	12.0	14.5	34,200	3.62	8.0	21,200	2.54
3675745	25HCC536A**30	CNPV*3621A**	58MV(B,C)080-14	33,200	11.5	14.0	34,400	3.62	7.9	21,600	2.50
3675746	25HCC536A**30	CNPV*3621A**	58MV(B,C)080-20	33,200	12.0	14.0	34,200	3.58	7.9	21,400	2.50
3675747	25HCC536A**30	CNPV*3621A**	58MV(B,C)100-20	33,400	12.0	14.0	34,400	3.62	8.0	21,600	2.52
3675749	25HCC536A**30	CNPV*3621A**	58PH*090-16	33,600	12.0	14.5	34,400	3.64	8.0	21,400	2.54
3675750	25HCC536A**30	CNPV*3621A**	58PH*110-20	33,600	12.0	14.5	34,400	3.68	8.1	21,400	2.56
3675755	25HCC536A**30	CNPV*3621A**	58UVB080-14	33,200	11.5	14.0	34,400	3.58	7.9	21,600	2.50
3675756	25HCC536A**30	CNPV*3621A**	58UVB080-20	33,200	12.0	14.0	34,200	3.58	7.9	21,400	2.50
3675757	25HCC536A**30	CNPV*3621A**	58UVB100-20	33,400	12.0	14.0	34,400	3.62	8.0	21,600	2.52
3810667	25HCC536A**30	CNPV*3621A**	58VLR120-20	33,600	12.0	14.5	34,200	3.62	8.0	21,200	2.54
3810666	25HCC536A**30	CNPV*3621A**	58VMR120-20	33,600	12.0	14.5	34,400	3.58	8.0	21,400	2.50
4803918	25HCC536A**30	CNPV*3621A**	59*N*A060V17**14	33,200	11.5	14.0	34,200	3.48	7.8	21,400	2.44
4803919	25HCC536A**30	CNPV*3621A**	59*N*A080V17**14	33,200	11.8	14.2	34,200	3.52	7.8	21,400	2.48
4803920	25HCC536A**30	CNPV*3621A**	59*N*A100V21**20	33,400	11.8	14.2	34,400	3.56	8.0	21,400	2.48
4803921	25HCC536A**30	CNPV*3621A**	59*P5A060E17**14	33,600	11.5	14.0	34,600	3.56	8.0	21,800	2.48
4803922	25HCC536A**30	CNPV*3621A**	59*P5A080E17**16	33,400	11.8	14.2	34,400	3.56	8.0	21,400	2.48
4194686	25HCC536A**30	CNPV*3621A**	OVLAAB036098	33,400	11.5	13.5	34,600	3.52	8.0	21,800	2.46
4194688	25HCC536A**30	CNPV*3621A**	OVLAAB048112	33,800	11.5	14.0	34,800	3.60	8.0	21,800	2.50
4194685	25HCC536A**30	CNPV*3621A**	OVMAAB036098	33,400	11.5	13.5	34,800	3.54	8.0	21,800	2.46
4194687	25HCC536A**30	CNPV*3621A**	OVMAAB042112	33,600	11.5	14.0	34,600	3.58	8.0	21,600	2.50
3675759	25HCC536A**30	CNPV*3621A**+TDR		33,600	11.0	13.0	35,600	3.56	7.9	22,600	2.46
3675768	25HCC536A**30	CNPV*3717A**	58CV(A,X)090-16	34,600	12.5	15.0	34,800	3.86	8.4	21,600	2.64
4194658	25HCC536A**30	CNPV*3717A**	58HDV040-12	34,800	11.5	14.0	35,600	3.74	8.2	22,400	2.54
4194659	25HCC536A**30	CNPV*3717A**	58HDV060-12	35,200	12.0	14.0	35,600	3.84	8.5	22,400	2.60
3675771	25HCC536A**30	CNPV*3717A**	58ME(B,C)060-12	35,000	12.5	15.0	35,200	3.92	8.6	22,000	2.66
3675772	25HCC536A**30	CNPV*3717A**	58ME(B,C)080-12	34,800	12.5	15.0	35,000	3.90	8.5	21,800	2.66
3675773	25HCC536A**30	CNPV*3717A**	58ME(B,C)080-16	35,000	12.5	15.0	35,200	3.92	8.5	22,000	2.66
3675770	25HCC536A**30	CNPV*3717A**	58MEB040-12	35,000	12.5	15.0	35,000	3.92	8.5	22,000	2.66
3675767	25HCC536A**30	CNPV*3717A**	58MV(B,C)060-14	34,800	12.5	15.0	35,000	3.88	8.5	22,000	2.64
3675769	25HCC536A**30	CNPV*3717A**	58PH*070-16	34,600	12.0	14.5	35,200	3.82	8.4	22,200	2.60
3675775	25HCC536A**30	CNPV*3717A**	58UVB060-14	34,800	12.5	15.0	35,000	3.88	8.5	22,000	2.64
3810669	25HCC536A**30	CNPV*3717A**	58VLR105-12	35,200	12.5	15.0	35,200	3.86	8.5	22,000	2.62
3810668	25HCC536A**30	CNPV*3717A**	58VMR105-12	34,600	12.5	15.0	34,800	3.80	8.5	21,800	2.60
4803923	25HCC536A**30	CNPV*3717A**	59*N*A060V17**14	34,400	12.0	14.5	34,800	3.72	8.2	21,800	2.56
4803924	25HCC536A**30	CNPV*3717A**	59*N*A080V17**14	34,600	12.0	14.5	34,800	3.78	8.2	21,600	2.58
4803925	25HCC536A**30	CNPV*3717A**	59*P5A060E17**14	35,000	12.0	14.5	35,200	3.80	8.5	22,200	2.58
4803926	25HCC536A**30	CNPV*3717A**	59*P5A080E17**16	34,800	12.0	14.5	35,000	3.82	8.5	21,800	2.60
4194690	25HCC536A**30	CNPV*3717A**	OVLAAB036098	34,800	12.0	14.0	35,200	3.76	8.4	22,000	2.58
4194689	25HCC536A**30	CNPV*3717A**	OVMAAB036098	34,800	12.0	14.0	35,200	3.78	8.4	22,200	2.58
4194691	25HCC536A**30	CNPV*3717A**	OVMAAB042112	35,000	12.0	14.5	35,000	3.84	8.5	22,000	2.62
3675777	25HCC536A**30	CNPV*3717A**+TDR		35,000	11.5	13.5	36,000	3.78	8.3	23,000	2.56
3675779	25HCC536A**30	CNPV*4217A**	58CV(A,X)090-16	34,000	12.0	14.5	34,600	3.74	8.2	21,600	2.58
4194660	25HCC536A**30	CNPV*4217A**	58HDV040-12	34,000	11.2	13.5	35,200	3.62	8.2	22,200	2.50
4194661	25HCC536A**30	CNPV*4217A**	58HDV060-12	34,400	11.5	14.0	35,200	3.70	8.2	22,200	2.54
3675782	25HCC536A**30	CNPV*4217A**	58ME(B,C)060-12	34,200	12.0	14.5	34,800	3.78	8.3	21,800	2.60

See notes on pg. 36

COMBINATION RATINGS CONTINUED

AHRI Ref. No.	Model Number	Coil Model Number	Furnace Model Number	Cooling Capacity	EER	SEER	High Temp		HSPF	Low Temp	
							E Capacity	E COP		H Capacity	H COP
3675783	25HCC536A**30	CNPV*4217A**	58ME(B,C)080-12	34,200	12.0	14.5	34,800	3.76	8.3	21,800	2.60
3675784	25HCC536A**30	CNPV*4217A**	58ME(B,C)080-16	34,200	12.0	14.5	34,800	3.78	8.3	21,800	2.60
3675781	25HCC536A**30	CNPV*4217A**	58MEB040-12	34,200	12.0	14.5	34,800	3.78	8.3	21,800	2.60
3675778	25HCC536A**30	CNPV*4217A**	58MV(B,C)060-14	34,200	12.0	14.5	34,800	3.76	8.2	21,800	2.58
3675780	25HCC536A**30	CNPV*4217A**	58PH*070-16	34,000	12.0	14.0	35,000	3.70	8.1	22,000	2.54
3675792	25HCC536A**30	CNPV*4217A**	58UVB060-14	34,200	12.0	14.5	34,800	3.76	8.2	21,800	2.58
3810671	25HCC536A**30	CNPV*4217A**	58VLR105-12	34,400	12.0	14.5	35,000	3.74	8.2	21,800	2.56
3810670	25HCC536A**30	CNPV*4217A**	58VMR105-12	34,000	12.0	14.5	34,600	3.66	8.2	21,600	2.54
4803927	25HCC536A**30	CNPV*4217A**	59*N*A060V17**14	33,800	11.8	14.2	34,600	3.60	8.0	21,600	2.50
4803928	25HCC536A**30	CNPV*4217A**	59*N*A080V17**14	34,000	12.0	14.5	34,400	3.64	8.2	21,600	2.52
4803929	25HCC536A**30	CNPV*4217A**	59*P5A060E17**14	34,200	11.8	14.2	35,000	3.68	8.2	22,000	2.54
4803930	25HCC536A**30	CNPV*4217A**	59*P5A080E17**16	34,200	12.0	14.5	34,600	3.68	8.2	21,600	2.54
4194693	25HCC536A**30	CNPV*4217A**	OVLAAB036098	34,000	11.5	14.0	34,800	3.64	8.2	22,000	2.52
4194692	25HCC536A**30	CNPV*4217A**	OVMAAB036098	34,200	11.5	14.0	35,000	3.66	8.2	22,000	2.52
4194694	25HCC536A**30	CNPV*4217A**	OVMAAB042112	34,200	12.0	14.5	34,800	3.72	8.2	21,800	2.56
3675794	25HCC536A**30	CNPV*4217A**+TDR		34,000	11.0	13.0	35,800	3.68	8.1	22,800	2.50
3675799	25HCC536A**30	CNPV*4221A**	58CV(A,X)110-20	33,800	12.0	14.5	34,400	3.70	8.1	21,600	2.56
4194662	25HCC536A**30	CNPV*4221A**	58HDV040--12	33,800	11.2	13.5	35,000	3.58	8.0	22,200	2.48
4194663	25HCC536A**30	CNPV*4221A**	58HDV060--12	34,000	11.5	14.0	35,000	3.64	8.0	22,000	2.52
4194664	25HCC536A**30	CNPV*4221A**	58HDV080--20	34,600	12.0	14.0	35,200	3.76	8.2	22,200	2.58
3675802	25HCC536A**30	CNPV*4221A**	58ME(B,C)100-20	33,800	12.0	14.5	34,400	3.72	8.2	21,400	2.58
3675796	25HCC536A**30	CNPV*4221A**	58MV(B,C)080-14	33,600	12.0	14.0	34,600	3.66	8.0	21,600	2.54
3675797	25HCC536A**30	CNPV*4221A**	58MV(B,C)080-20	33,600	12.0	14.0	34,400	3.66	8.0	21,600	2.54
3675798	25HCC536A**30	CNPV*4221A**	58MV(B,C)100-20	33,800	12.0	14.5	34,400	3.70	8.1	21,600	2.56
3675800	25HCC536A**30	CNPV*4221A**	58PH*090-16	34,000	12.0	14.5	34,600	3.74	8.2	21,600	2.58
3675801	25HCC536A**30	CNPV*4221A**	58PH*110-20	34,000	12.0	14.5	34,600	3.76	8.3	21,600	2.60
3675810	25HCC536A**30	CNPV*4221A**	58UVB080-14	33,600	12.0	14.0	34,600	3.66	8.0	21,600	2.54
3675811	25HCC536A**30	CNPV*4221A**	58UVB080-20	33,600	12.0	14.0	34,400	3.66	8.0	21,600	2.54
3675812	25HCC536A**30	CNPV*4221A**	58UVB100-20	33,800	12.0	14.5	34,400	3.70	8.1	21,600	2.56
3810673	25HCC536A**30	CNPV*4221A**	58VLR120-20	34,000	12.0	14.5	34,400	3.70	8.2	21,400	2.56
3810672	25HCC536A**30	CNPV*4221A**	58VMR120-20	34,000	12.0	14.5	34,400	3.66	8.2	21,400	2.54
4803931	25HCC536A**30	CNPV*4221A**	59*N*A060V17**14	33,600	11.8	14.2	34,400	3.56	8.0	21,400	2.48
4803932	25HCC536A**30	CNPV*4221A**	59*N*A080V17**14	33,600	11.8	14.2	34,400	3.60	8.0	21,400	2.50
4803933	25HCC536A**30	CNPV*4221A**	59*N*A100V21**20	33,800	12.0	14.5	34,400	3.62	8.0	21,600	2.52
4803934	25HCC536A**30	CNPV*4221A**	59*P5A060E17**14	34,000	11.8	14.2	34,800	3.62	8.0	21,800	2.52
4803935	25HCC536A**30	CNPV*4221A**	59*P5A080E17**16	33,800	11.8	14.2	34,400	3.62	8.0	21,600	2.52
4194696	25HCC536A**30	CNPV*4221A**	OVLAAB036098	33,800	11.5	14.0	34,800	3.60	8.0	21,800	2.50
4194698	25HCC536A**30	CNPV*4221A**	OVLAAB048112	34,200	11.5	14.0	34,800	3.68	8.2	22,000	2.54
4194695	25HCC536A**30	CNPV*4221A**	OVMAAB036098	33,800	11.5	14.0	34,800	3.60	8.0	22,000	2.50
4194697	25HCC536A**30	CNPV*4221A**	OVMAAB042112	34,000	12.0	14.0	34,600	3.66	8.0	21,800	2.54
3675816	25HCC536A**30	CNPV*4221A**+TDR		33,800	11.0	13.0	35,600	3.62	8.0	22,800	2.48
3675821	25HCC536A**30	CNPV*4324A**	58CV(A,X)135-22	34,800	12.5	15.0	34,600	3.92	8.5	21,600	2.68
3675822	25HCC536A**30	CNPV*4324A**	58CV(A,X)155-22	34,800	12.5	15.5	34,600	3.94	8.6	21,400	2.68
4194665	25HCC536A**30	CNPV*4324A**	58HDV080--20	35,800	12.0	15.0	35,800	4.00	8.5	22,400	2.68
4194672	25HCC536A**30	CNPV*4324A**	58HDV100--20	35,400	12.5	15.0	35,400	3.98	8.7	22,200	2.68
3676314	25HCC536A**30	CNPV*4324A**	58HDV100--20 (DNFLW ONLY)	35,400	12.5	15.0	35,400	3.98	8.7	22,200	2.68
3675823	25HCC536A**30	CNPV*4324A**	58MV(B,C)080-14	35,000	12.5	15.0	35,000	3.86	8.5	21,800	2.64
3675824	25HCC536A**30	CNPV*4324A**	58MV(B,C)080-20	35,000	12.5	15.0	34,800	3.86	8.5	21,800	2.64
3675820	25HCC536A**30	CNPV*4324A**	58MV(B,C)120-20	34,800	12.5	15.0	34,800	3.90	8.5	21,600	2.66
3675819	25HCC536A**30	CNPV*4324A**	58MV(B,C)140-14	34,600	12.2	14.5	34,800	3.84	8.4	21,800	2.62
3675838	25HCC536A**30	CNPV*4324A**	58UVB080-14	35,000	12.5	15.0	35,000	3.86	8.5	21,800	2.64
3675839	25HCC536A**30	CNPV*4324A**	58UVB080-20	35,000	12.5	15.0	34,800	3.86	8.5	21,800	2.64
3675837	25HCC536A**30	CNPV*4324A**	58UVB120-20	34,800	12.5	15.0	34,800	3.90	8.5	21,600	2.66
4803936	25HCC536A**30	CNPV*4324A**	59*N*A100V21**20	34,800	12.5	15.0	34,800	3.84	8.5	21,600	2.62
4803937	25HCC536A**30	CNPV*4324A**	59*N*A120V24**22	34,800	12.5	15.2	34,600	3.86	8.5	21,600	2.64
4194699	25HCC536A**30	CNPV*4324A**	OVLAAB048112	35,200	12.0	14.5	35,200	3.90	8.5	22,000	2.64
3675818	25HCC536A**30	CNPV*4324A**		35,000	11.5	13.5	36,000	3.78	8.3	23,000	2.56
3675843	25HCC536A**30	CNPV*4821A**	58MV(B,C)080-14	34,200	12.0	14.5	34,800	3.78	8.3	21,800	2.60
3675857	25HCC536A**30	CNPV*4821A**	58UVB080-14	34,200	12.0	14.5	34,800	3.78	8.3	21,800	2.60
3675880	25HCC536A**30	CNPV*6024A**	58MV(B,C)080-14	34,600	12.0	14.5	34,800	3.84	8.4	21,800	2.62
3675890	25HCC536A**30	CNPV*6024A**	58UVB080-14	34,600	12.0	14.5	34,800	3.84	8.4	21,800	2.62
3676020	25HCC536A**30	CSPH*3612A**	58CV(A,X)070-12	33,400	12.0	14.0	34,600	3.70	7.9	21,800	2.56
3676021	25HCC536A**30	CSPH*3612A**	58CV(A,X)090-16	33,600	12.0	14.5	34,600	3.74	8.0	21,600	2.58
3676022	25HCC536A**30	CSPH*3612A**	58CV(A,X)110-20	33,600	12.0	14.5	34,600	3.76	8.0	21,600	2.60
3676023	25HCC536A**30	CSPH*3612A**	58CV(A,X)135-22	33,600	12.0	14.5	34,600	3.76	8.0	21,600	2.60
3676024	25HCC536A**30	CSPH*3612A**	58CV(A,X)155-22	33,600	12.0	14.5	34,400	3.80	8.1	21,400	2.62
3676034	25HCC536A**30	CSPH*3612A**	58HDV040--12	33,200	11.0	13.5	34,800	3.64	7.8	22,200	2.50
3676035	25HCC536A**30	CSPH*3612A**	58HDV060--12	33,400	11.5	13.5	34,800	3.72	7.9	22,200	2.54
3676036	25HCC536A**30	CSPH*3612A**	58HDV080--20	33,800	11.5	14.0	35,000	3.84	8.1	22,200	2.60
3676037	25HCC536A**30	CSPH*3612A**	58HDV100--20	33,800	12.0	14.0	34,600	3.80	8.0	22,000	2.60
3676030	25HCC536A**30	CSPH*3612A**	58ME(B,C)060-12	33,800	12.0	14.0	34,800	3.80	8.1	21,800	2.60
3676031	25HCC536A**30	CSPH*3612A**	58ME(B,C)080-12	33,600	12.0	14.5	34,800	3.78	8.1	21,800	2.60
3676032	25HCC536A**30	CSPH*3612A**	58ME(B,C)080-16	33,600	12.0	14.0	34,800	3.80	8.1	21,800	2.60
3676033	25HCC536A**30	CSPH*3612A**	58ME(B,C)100-20	33,600	12.0	14.5	34,600	3.78	8.1	21,400	2.62
3676029	25HCC536A**30	CSPH*3612A**	58MEB040-12	33,600	12.0	14.5	34,800	3.80	8.1	21,800	2.60
3676015	25HCC536A**30	CSPH*3612A**	58MV(B,C)060-14	33,600	12.0	14.0	34,800	3.78	8.1	21,800	2.60
3676016	25HCC536A**30	CSPH*3612A**	58MV(B,C)080-14	33,400	12.0	14.0	34,800	3.72	8.0	21,800	2.56
3676017	25HCC536A**30	CSPH*3612A**	58MV(B,C)080-20	33,400	12.0	14.0	34,600	3.72	8.0	21,600	2.58

25HCC5

See notes on pg. 36

COMBINATION RATINGS CONTINUED

AHRI Ref. No.	Model Number	Coil Model Number	Furnace Model Number	Cooling Capacity	EER	SEER	High Temp		HSPF	Low Temp	
							E Capacity	E COP		H Capacity	H COP
3676018	25HCC536A**30	CSPH*3612A**	58MV(B,C)100-20	33,600	12.0	14.0	34,800	3.76	8.0	21,800	2.58
3676019	25HCC536A**30	CSPH*3612A**	58MV(B,C)120-20	33,600	12.0	14.5	34,600	3.76	8.0	21,600	2.60
3676014	25HCC536A**30	CSPH*3612A**	58MVB040-14	33,400	11.5	14.0	34,800	3.70	7.9	21,800	2.54
3676025	25HCC536A**30	CSPH*3612A**	58PH*045-08	33,400	11.5	13.5	35,200	3.66	7.9	22,200	2.52
3676026	25HCC536A**30	CSPH*3612A**	58PH*070-16	33,400	12.0	14.0	35,000	3.72	7.9	22,000	2.56
3676027	25HCC536A**30	CSPH*3612A**	58PH*090-16	33,600	12.0	14.5	34,800	3.80	8.1	21,600	2.62
3676028	25HCC536A**30	CSPH*3612A**	58PH*110-20	33,800	12.0	14.5	34,800	3.84	8.2	21,800	2.62
3810687	25HCC536A**30	CSPH*3612A**	58VLR105-12	34,600	12.0	14.5	35,000	3.76	8.2	21,800	2.58
3810689	25HCC536A**30	CSPH*3612A**	58VLR120-20	34,600	12.5	15.0	34,600	3.76	8.5	21,400	2.60
3810686	25HCC536A**30	CSPH*3612A**	58VLR105-12	34,200	12.0	14.5	34,600	3.68	8.2	21,600	2.54
3810688	25HCC536A**30	CSPH*3612A**	58VLR120-20	34,200	12.0	14.5	34,600	3.72	8.2	21,600	2.58
4803956	25HCC536A**30	CSPH*3612A**	59*N*A060V17**14	34,000	11.8	14.2	34,600	3.62	8.0	21,600	2.50
4803957	25HCC536A**30	CSPH*3612A**	59*N*A080V17**14	34,000	12.0	14.5	34,400	3.66	8.2	21,600	2.54
4803958	25HCC536A**30	CSPH*3612A**	59*N*A100V21**20	34,200	12.0	14.5	34,600	3.70	8.2	21,600	2.56
4803959	25HCC536A**30	CSPH*3612A**	59*N*A120V24**22	34,400	12.0	14.5	34,400	3.70	8.2	21,400	2.56
4803960	25HCC536A**30	CSPH*3612A**	59*P5A060E17**14	34,400	11.8	14.2	35,000	3.70	8.2	22,000	2.54
4803961	25HCC536A**30	CSPH*3612A**	59*P5A080E17**16	34,400	12.0	14.5	34,600	3.70	8.2	21,600	2.56
4194713	25HCC536A**30	CSPH*3612A**	OVLAAB036098	34,200	11.5	14.0	35,000	3.66	8.2	22,000	2.52
4194715	25HCC536A**30	CSPH*3612A**	OVLAAB048112	34,600	12.0	14.0	35,000	3.74	8.2	22,000	2.56
4194712	25HCC536A**30	CSPH*3612A**	OVMAAB036098	34,400	11.5	14.0	35,000	3.68	8.2	22,000	2.54
4194714	25HCC536A**30	CSPH*3612A**	OVMAAB042112	34,400	12.0	14.5	34,800	3.72	8.2	21,800	2.56
3676049	25HCC536A**30	CSPH*3612A**+TDR		33,600	11.0	13.0	35,600	3.68	7.9	22,800	2.52
3676056	25HCC536A**30	CSPH*4212A**	58CV(A,X)070-12	33,800	12.0	14.0	34,800	3.74	8.1	21,800	2.58
3676057	25HCC536A**30	CSPH*4212A**	58CV(A,X)090-16	33,800	12.0	14.5	34,600	3.78	8.2	21,600	2.60
3676058	25HCC536A**30	CSPH*4212A**	58CV(A,X)110-20	34,000	12.0	14.5	34,600	3.80	8.2	21,600	2.62
3676059	25HCC536A**30	CSPH*4212A**	58CV(A,X)135-22	34,000	12.0	14.5	34,600	3.80	8.2	21,600	2.62
3676060	25HCC536A**30	CSPH*4212A**	58CV(A,X)155-22	34,000	12.5	15.0	34,600	3.84	8.3	21,400	2.64
3676070	25HCC536A**30	CSPH*4212A**	58HDV040--12	33,800	11.5	13.5	35,000	3.68	7.9	22,400	2.52
3676071	25HCC536A**30	CSPH*4212A**	58HDV060--12	33,800	11.5	14.0	35,000	3.76	8.0	22,200	2.58
3676072	25HCC536A**30	CSPH*4212A**	58HDV080--20	34,200	12.0	14.0	35,000	3.88	8.2	22,200	2.64
3676073	25HCC536A**30	CSPH*4212A**	58HDV100--20	34,200	12.2	14.5	34,800	3.86	8.2	22,000	2.64
3676066	25HCC536A**30	CSPH*4212A**	58ME(B,C)060-12	34,200	12.0	14.5	35,000	3.66	8.3	21,800	2.64
3676067	25HCC536A**30	CSPH*4212A**	58ME(B,C)080-12	34,200	12.0	14.5	34,800	3.84	8.3	21,800	2.62
3676068	25HCC536A**30	CSPH*4212A**	58ME(B,C)080-16	34,200	12.0	14.5	35,000	3.84	8.3	21,800	2.62
3676069	25HCC536A**30	CSPH*4212A**	58ME(B,C)100-20	34,000	12.5	15.0	34,600	3.84	8.3	21,600	2.64
3676065	25HCC536A**30	CSPH*4212A**	58MEB040-12	34,200	12.0	14.5	34,800	3.86	8.3	21,800	2.64
3676051	25HCC536A**30	CSPH*4212A**	58MV(B,C)060-14	34,000	12.0	14.5	34,800	3.82	8.2	21,800	2.62
3676052	25HCC536A**30	CSPH*4212A**	58MV(B,C)080-14	33,800	12.0	14.0	34,800	3.76	8.1	21,800	2.58
3676053	25HCC536A**30	CSPH*4212A**	58MV(B,C)080-20	33,800	12.0	14.5	34,800	3.78	8.1	21,600	2.60
3676054	25HCC536A**30	CSPH*4212A**	58MV(B,C)100-20	34,000	12.0	14.5	34,800	3.80	8.2	21,800	2.60
3676055	25HCC536A**30	CSPH*4212A**	58MV(B,C)120-20	34,000	12.0	14.5	34,600	3.80	8.2	21,600	2.62
3676050	25HCC536A**30	CSPH*4212A**	58MVB040-14	33,800	12.0	14.0	34,800	3.72	8.1	21,800	2.56
3676061	25HCC536A**30	CSPH*4212A**	58PH*045-08	33,800	11.2	13.5	35,400	3.70	8.0	22,400	2.54
3676062	25HCC536A**30	CSPH*4212A**	58PH*070-16	33,800	12.0	14.0	35,000	3.76	8.1	22,000	2.58
3676063	25HCC536A**30	CSPH*4212A**	58PH*090-16	34,200	12.0	14.5	34,800	3.86	8.3	21,800	2.64
3676064	25HCC536A**30	CSPH*4212A**	58PH*110-20	34,200	12.0	14.5	34,800	3.90	8.3	21,800	2.66
3810691	25HCC536A**30	CSPH*4212A**	58VLR105-12	34,800	12.0	14.5	35,000	3.80	8.5	22,000	2.60
3810693	25HCC536A**30	CSPH*4212A**	58VLR120-20	34,800	12.5	15.0	34,600	3.80	8.5	21,600	2.62
3810690	25HCC536A**30	CSPH*4212A**	58VLR105-12	34,400	12.0	14.5	34,600	3.72	8.2	21,600	2.56
3810692	25HCC536A**30	CSPH*4212A**	58VLR120-20	34,600	12.0	14.5	34,600	3.76	8.2	21,600	2.60
4803962	25HCC536A**30	CSPH*4212A**	59*N*A060V17**14	34,200	12.0	14.5	34,600	3.66	8.2	21,600	2.52
4803963	25HCC536A**30	CSPH*4212A**	59*N*A080V17**14	34,400	12.0	14.5	34,600	3.70	8.2	21,600	2.56
4803964	25HCC536A**30	CSPH*4212A**	59*N*A100V21**20	34,400	12.0	14.5	34,600	3.74	8.2	21,600	2.56
4803965	25HCC536A**30	CSPH*4212A**	59*N*A120V24**22	34,600	12.4	15.0	34,600	3.74	8.2	21,600	2.58
4803966	25HCC536A**30	CSPH*4212A**	59*P5A060E17**14	34,600	11.8	14.2	35,000	3.74	8.2	22,000	2.56
4803967	25HCC536A**30	CSPH*4212A**	59*P5A080E17**16	34,600	12.0	14.5	34,800	3.74	8.2	21,800	2.56
4194717	25HCC536A**30	CSPH*4212A**	OVLAAB036098	34,400	12.0	14.0	35,000	3.70	8.2	22,000	2.54
4194719	25HCC536A**30	CSPH*4212A**	OVLAAB048112	34,800	12.0	14.5	35,200	3.80	8.4	22,000	2.60
4194716	25HCC536A**30	CSPH*4212A**	OVMAAB036098	34,600	12.0	14.0	35,000	3.72	8.2	22,000	2.56
4194718	25HCC536A**30	CSPH*4212A**	OVMAAB042112	34,600	12.0	14.5	34,800	3.76	8.4	21,800	2.58
3676107	25HCC536A**30	CSPH*4212A**+TDR		33,800	11.0	13.0	35,600	3.72	8.1	22,800	2.52
3810656	25HCC536A**30	FB4CNF036		34,000	11.5	13.0	35,000	3.64	8.2	22,000	2.50
3693234	25HCC536A**30	FB4CNF036+TXV		33,600	11.5	13.5	35,000	3.66	8.0	22,000	2.50
3810657	25HCC536A**30	FB4CNF042		35,200	12.0	14.0	35,200	3.84	8.5	22,000	2.62
3693235	25HCC536A**30	FB4CNF042+TXV		34,800	12.0	14.5	35,200	3.86	8.4	22,000	2.62
3676191	25HCC536A**30	FE4AN(B,F)003+UI		33,800	12.5	15.0	34,200	3.70	8.5	21,200	2.56
3676194	25HCC536A**30	FE4AN(B,F)005+UI		35,000	12.5	15.0	34,600	3.92	8.6	21,600	2.66
3676197	25HCC536A**30	FE4ANB006+UI		35,400	13.0	15.5	34,400	4.02	9.0	21,600	2.72
3676204	25HCC536A**30	FE4ANF002+UI		33,600	12.0	14.0	34,600	3.68	8.1	21,600	2.52
3676216	25HCC536A**30	FF1ENP036		33,600	11.0	13.0	35,600	3.52	7.8	22,600	2.44
3676219	25HCC536A**30	FF1ENP037		33,600	11.2	13.0	35,400	3.58	7.9	22,400	2.48
3676238	25HCC536A**30	FV4CN(B,F)003		33,800	12.5	15.0	34,200	3.70	8.5	21,200	2.56
3676241	25HCC536A**30	FV4CN(B,F)005		35,000	12.5	15.0	34,600	3.92	8.6	21,600	2.66
3676244	25HCC536A**30	FV4CNB006		35,400	13.0	15.5	34,400	4.02	9.0	21,600	2.72
3676251	25HCC536A**30	FV4CNF002		33,600	12.0	14.0	34,600	3.68	8.1	21,600	2.52
3676269	25HCC536A**30	FX4DN(B,F)043		34,800	12.5	15.0	34,000	3.88	8.5	22,000	2.64
3810654	25HCC536A**30	FY5BNF036		34,400	11.5	13.0	35,200	3.64	8.2	22,200	2.50
3693247	25HCC536A**30	FY5BNF036+TXV		33,800	11.5	13.5	35,200	3.64	8.0	22,200	2.50
3810655	25HCC536A**30	FY5BNF042		35,000	11.5	13.5	35,400	3.74	8.4	22,400	2.56

See notes on pg. 36

COMBINATION RATINGS CONTINUED

AHRI Ref. No.	Model Number	Coil Model Number	Furnace Model Number	Cooling Capacity	EER	SEER	High Temp		HSPF	Low Temp	
							E Capacity	E COP		H Capacity	H COP
3693248	25HCC536A**30	FY5BNF042+TXV		34,400	11.5	14.0	35,400	3.74	8.2	22,400	2.56
3676270	25HCC542A**30	1FX4DN(B,F)043		41,500	12.5	15.0	41,500	3.80	8.7	26,800	2.60
3675227	25HCC542A**30	CAP**4221A**	58CV(A,X)110-20	40,500	12.0	14.5	42,000	3.66	8.2	26,000	2.54
4194720	25HCC542A**30	CAP**4221A**	58HDV080--20	41,000	12.0	14.0	42,000	3.70	8.4	26,600	2.54
3675230	25HCC542A**30	CAP**4221A**	58ME(B,C)100-20	41,000	12.5	14.5	42,000	3.72	8.3	26,000	2.56
3675224	25HCC542A**30	CAP**4221A**	58MV(B,C)080-14	40,500	12.0	14.0	42,000	3.60	8.0	26,200	2.50
3675225	25HCC542A**30	CAP**4221A**	58MV(B,C)080-20	40,500	12.0	14.0	42,000	3.62	8.1	26,200	2.50
3675226	25HCC542A**30	CAP**4221A**	58MV(B,C)100-20	40,500	12.0	14.0	41,500	3.60	8.0	26,000	2.50
3675228	25HCC542A**30	CAP**4221A**	58PH*090-16	41,000	12.0	14.5	42,000	3.68	8.2	26,000	2.54
3675229	25HCC542A**30	CAP**4221A**	58PH*110-20	41,000	12.5	14.5	42,000	3.70	8.2	26,000	2.56
3675234	25HCC542A**30	CAP**4221A**	58UVB080-14	40,500	12.0	14.0	42,000	3.60	8.0	26,200	2.50
3675235	25HCC542A**30	CAP**4221A**	58UVB080-20	40,500	12.0	14.0	42,000	3.62	8.1	26,200	2.50
3675236	25HCC542A**30	CAP**4221A**	58UVB100-20	40,500	12.0	14.0	41,500	3.60	8.0	26,000	2.50
3810699	25HCC542A**30	CAP**4221A**	58VLR120-20	40,500	12.0	14.5	41,500	3.66	8.2	26,000	2.54
3810698	25HCC542A**30	CAP**4221A**	58VMR120-20	40,500	12.0	14.5	41,500	3.64	8.2	26,000	2.52
4803968	25HCC542A**30	CAP**4221A**	59*N*A060V17**14	40,000	11.4	13.7	42,000	3.52	8.0	26,200	2.44
4803969	25HCC542A**30	CAP**4221A**	59*N*A080V17**14	40,000	11.8	14.2	42,000	3.56	8.0	26,000	2.46
4803970	25HCC542A**30	CAP**4221A**	59*N*A100V21**20	40,500	11.8	14.2	41,500	3.60	8.2	26,000	2.50
4803971	25HCC542A**30	CAP**4221A**	59*P5A060E17**14	40,500	11.5	14.0	42,000	3.58	8.0	26,400	2.48
4803972	25HCC542A**30	CAP**4221A**	59*P5A080E17**16	40,500	11.8	14.2	42,000	3.62	8.2	26,600	2.50
4803973	25HCC542A**30	CAP**4221A**	59*P5A100E21**16	40,500	11.8	14.2	42,000	3.60	8.2	26,200	2.50
4194731	25HCC542A**30	CAP**4221A**	OVLAAB048112	41,000	11.5	14.0	42,000	3.62	8.2	26,600	2.50
4194730	25HCC542A**30	CAP**4221A**	OVMAAB042112	40,500	12.0	14.0	42,000	3.62	8.2	26,400	2.50
3675238	25HCC542A**30	CAP**4221A**+TDR		41,000	11.5	13.5	42,000	3.62	8.0	27,200	2.48
3675246	25HCC542A**30	CAP**4224A**	58CV(A,X)135-22	41,000	12.5	14.5	41,500	3.70	8.2	25,800	2.56
3675247	25HCC542A**30	CAP**4224A**	58CV(A,X)155-22	41,000	12.5	14.5	41,500	3.70	8.2	25,800	2.56
4194721	25HCC542A**30	CAP**4224A**	58HDV080--20	41,000	12.0	14.0	42,000	3.70	8.4	26,600	2.54
3675250	25HCC542A**30	CAP**4224A**	58HDV100--20	41,000	12.0	14.5	42,000	3.68	8.2	26,200	2.54
3675249	25HCC542A**30	CAP**4224A**	58ME(B,C)120-20	41,000	12.5	15.0	42,000	3.76	8.3	26,000	2.58
3675245	25HCC542A**30	CAP**4224A**	58MV(B,C)120-20	40,500	12.0	14.5	41,500	3.66	8.1	26,000	2.54
3675244	25HCC542A**30	CAP**4224A**	58MV(B,C)040-14	40,500	12.0	14.0	42,000	3.60	8.0	26,200	2.50
3675248	25HCC542A**30	CAP**4224A**	58PH*135-20	41,000	12.0	14.5	42,000	3.70	8.2	26,200	2.56
3675252	25HCC542A**30	CAP**4224A**	58UVB120-20	40,500	12.0	14.5	41,500	3.66	8.1	26,000	2.54
4803974	25HCC542A**30	CAP**4224A**	59*N*A100V21**20	40,500	12.0	14.5	41,500	3.60	8.2	26,000	2.50
4803975	25HCC542A**30	CAP**4224A**	59*N*A120V24**22	40,500	12.0	14.5	41,500	3.62	8.2	25,800	2.52
4803976	25HCC542A**30	CAP**4224A**	59*P5A100E21**16	40,500	11.8	14.2	42,000	3.62	8.2	26,200	2.50
4803977	25HCC542A**30	CAP**4224A**	59*P5A120E24**22	41,000	12.0	14.5	42,000	3.70	8.2	26,400	2.56
4194732	25HCC542A**30	CAP**4224A**	OVLAAB048112	41,000	12.0	14.0	42,000	3.64	8.2	26,600	2.50
4194733	25HCC542A**30	CAP**4224A**	OVLAAB060154	41,500	12.0	14.5	42,000	3.78	8.5	26,800	2.58
3675254	25HCC542A**30	CAP**4224A**+TDR		41,000	11.5	13.5	42,000	3.62	8.0	27,200	2.48
3675256	25HCC542A**30	CAP**4817A**	58CV(A,X)090-16	41,500	12.5	15.0	42,000	3.80	8.5	26,400	2.60
3675259	25HCC542A**30	CAP**4817A**	58ME(B,C)060-12	42,000	12.5	14.5	42,000	3.84	8.5	26,800	2.60
3675260	25HCC542A**30	CAP**4817A**	58ME(B,C)080-12	42,000	12.5	15.0	42,000	3.84	8.5	26,600	2.60
3675261	25HCC542A**30	CAP**4817A**	58ME(B,C)080-16	41,500	12.5	14.5	42,000	3.82	8.5	26,400	2.60
3675258	25HCC542A**30	CAP**4817A**	58ME(B,C)040-12	42,000	12.5	14.5	42,000	3.84	8.5	26,600	2.60
3675255	25HCC542A**30	CAP**4817A**	58MV(B,C)060-14	42,000	12.5	14.5	42,000	3.82	8.5	26,600	2.60
3675257	25HCC542A**30	CAP**4817A**	58PH*070-16	41,500	12.0	14.0	42,000	3.74	8.2	27,000	2.54
3675264	25HCC542A**30	CAP**4817A**	58UVB060-14	42,000	12.5	14.5	42,000	3.82	8.4	26,600	2.60
4803978	25HCC542A**30	CAP**4817A**	59*N*A060V17**14	41,000	11.8	14.2	42,000	3.68	8.2	26,600	2.50
4803979	25HCC542A**30	CAP**4817A**	59*N*A080V17**14	41,000	12.0	14.5	42,000	3.70	8.2	26,400	2.54
4803980	25HCC542A**30	CAP**4817A**	59*P5A060E17**14	41,500	11.8	14.2	42,000	3.72	8.2	26,800	2.54
4803981	25HCC542A**30	CAP**4817A**	59*P5A080E17**16	41,500	12.0	14.5	42,000	3.76	8.5	26,800	2.56
4194734	25HCC542A**30	CAP**4817A**	OVMAAB042112	41,500	12.0	14.5	42,000	3.76	8.5	26,800	2.56
3675265	25HCC542A**30	CAP**4817A**+TDR		42,000	11.5	13.5	42,000	3.78	8.2	27,600	2.54
3675270	25HCC542A**30	CAP**4821A**	58CV(A,X)110-20	41,500	12.5	14.5	42,000	3.78	8.5	26,200	2.58
4194722	25HCC542A**30	CAP**4821A**	58HDV080--20	42,000	12.0	14.5	42,000	3.80	8.5	26,800	2.58
3675273	25HCC542A**30	CAP**4821A**	58ME(B,C)100-20	41,500	12.5	15.0	42,000	3.82	8.4	26,200	2.60
3675267	25HCC542A**30	CAP**4821A**	58MV(B,C)080-14	41,000	12.0	14.0	42,000	3.70	8.2	26,600	2.54
3675268	25HCC542A**30	CAP**4821A**	58MV(B,C)080-20	41,500	12.0	14.5	42,000	3.74	8.2	26,400	2.56
3675269	25HCC542A**30	CAP**4821A**	58MV(B,C)100-20	41,000	12.0	14.5	42,000	3.70	8.2	26,200	2.54
3675271	25HCC542A**30	CAP**4821A**	58PH*090-16	41,500	12.5	15.0	42,000	3.80	8.5	26,200	2.60
3675272	25HCC542A**30	CAP**4821A**	58PH*110-20	41,500	12.5	15.0	42,000	3.82	8.4	26,200	2.60
3675280	25HCC542A**30	CAP**4821A**	58UVB080-14	41,000	12.0	14.0	42,000	3.70	8.2	26,600	2.54
3675281	25HCC542A**30	CAP**4821A**	58UVB080-20	41,500	12.0	14.5	42,000	3.74	8.2	26,400	2.56
3675282	25HCC542A**30	CAP**4821A**	58UVB100-20	41,000	12.0	14.5	42,000	3.70	8.2	26,200	2.54
3810701	25HCC542A**30	CAP**4821A**	58VLR120-20	41,500	12.5	14.5	42,000	3.76	8.5	26,200	2.58
3810700	25HCC542A**30	CAP**4821A**	58VMR120-20	41,000	12.5	14.5	42,000	3.74	8.4	26,200	2.56
4803982	25HCC542A**30	CAP**4821A**	59*N*A060V17**14	40,500	11.8	14.2	42,000	3.62	8.2	26,400	2.50
4803983	25HCC542A**30	CAP**4821A**	59*N*A080V17**14	41,000	11.8	14.2	42,000	3.66	8.2	26,200	2.52
4803984	25HCC542A**30	CAP**4821A**	59*N*A100V21**20	41,000	12.0	14.5	42,000	3.70	8.2	26,200	2.54
4803985	25HCC542A**30	CAP**4821A**	59*P5A060E17**14	41,000	11.8	14.2	42,000	3.68	8.2	26,800	2.52
4803986	25HCC542A**30	CAP**4821A**	59*P5A080E17**16	41,500	12.0	14.5	42,000	3.72	8.2	26,800	2.54
4803987	25HCC542A**30	CAP**4821A**	59*P5A100E21**16	41,000	12.0	14.5	42,000	3.70	8.2	26,400	2.54
4194736	25HCC542A**30	CAP**4821A**	OVLAAB048112	41,500	12.0	14.0	42,000	3.74	8.4	27,000	2.54
4194735	25HCC542A**30	CAP**4821A**	OVMAAB042112	41,000	12.0	14.0	42,000	3.72	8.4	26,600	2.54
3675285	25HCC542A**30	CAP**4821A**+TDR		41,500	11.5	13.5	42,000	3.74	8.2	27,400	2.52
3675287	25HCC542A**30	CAP**4823A**	58HDV080--20	42,000	12.2	14.5	42,000	3.80	8.4	26,800	2.58
4194725	25HCC542A**30	CAP**4823A**	58HDV100--20	41,500	12.5	14.5	42,000	3.78	8.5	26,400	2.58

25HCC5

See notes on pg. 36

COMBINATION RATINGS CONTINUED

AHRI Ref. No.	Model Number	Coil Model Number	Furnace Model Number	Cooling Capacity	EER	SEER	High Temp		HSPF	Low Temp	
							E Capacity	E COP		H Capacity	H COP
4803992	25HCC542A**30	CAP**4823A**	59*N*A100V21**20	41,000	12.0	14.5	42,000	3.70	8.2	26,200	2.54
4803993	25HCC542A**30	CAP**4823A**	59*N*A120V24**22	41,000	12.0	14.5	42,000	3.72	8.2	26,000	2.56
4803994	25HCC542A**30	CAP**4823A**	59*P5A100E21**16	41,000	12.0	14.5	42,000	3.70	8.2	26,400	2.54
4803995	25HCC542A**30	CAP**4823A**	59*P5A120E24**22	41,500	12.0	14.5	42,000	3.80	8.2	26,600	2.58
4194739	25HCC542A**30	CAP**4823A**	OVLAAB048112	41,500	12.0	14.0	42,000	3.70	8.4	27,000	2.54
3675289	25HCC542A**30	CAP**4823A**+TDR		41,500	11.5	13.5	42,000	3.74	8.2	27,400	2.52
3675293	25HCC542A**30	CAP**4824A**	58CV(A,X)135-22	41,500	12.5	15.0	42,000	3.82	8.4	26,000	2.62
3675294	25HCC542A**30	CAP**4824A**	58CV(A,X)155-22	41,500	12.5	15.0	42,000	3.80	8.4	26,000	2.62
4194723	25HCC542A**30	CAP**4824A**	58HDV080--20	42,000	12.5	14.5	42,000	3.82	8.5	26,800	2.60
4194724	25HCC542A**30	CAP**4824A**	58HDV100--20	41,500	12.5	14.5	42,000	3.80	8.5	26,400	2.60
3675296	25HCC542A**30	CAP**4824A**	58ME(B,C)120-20	42,000	12.5	15.0	42,000	3.86	8.6	26,200	2.64
3675292	25HCC542A**30	CAP**4824A**	58MV(B,C)120-20	41,500	12.5	14.5	42,000	3.78	8.4	26,200	2.58
3675291	25HCC542A**30	CAP**4824A**	58MVB040-14	41,000	12.0	14.5	42,000	3.70	8.2	26,400	2.54
3675295	25HCC542A**30	CAP**4824A**	58PH*135-20	41,500	12.5	15.0	42,000	3.82	8.5	26,400	2.62
3675302	25HCC542A**30	CAP**4824A**	58UVB120-20	41,500	12.5	14.5	42,000	3.78	8.4	26,200	2.58
4803988	25HCC542A**30	CAP**4824A**	59*N*A100V21**20	41,000	12.0	14.5	42,000	3.70	8.2	26,200	2.54
4803989	25HCC542A**30	CAP**4824A**	59*N*A120V24**22	41,000	12.5	15.0	42,000	3.72	8.2	26,000	2.56
4803990	25HCC542A**30	CAP**4824A**	59*P5A100E21**16	41,000	12.0	14.5	42,000	3.72	8.2	26,400	2.54
4803991	25HCC542A**30	CAP**4824A**	59*P5A120E24**22	42,000	12.5	15.0	42,000	3.82	8.5	26,600	2.60
4194737	25HCC542A**30	CAP**4824A**	OVLAAB048112	41,500	12.0	14.0	42,000	3.74	8.5	26,800	2.56
4194738	25HCC542A**30	CAP**4824A**	OVLAAB060154	42,000	12.5	15.0	42,000	3.90	8.5	27,000	2.64
3675304	25HCC542A**30	CAP**4824A**+TDR		41,500	11.5	13.5	42,000	3.74	8.2	27,400	2.52
3675514	25HCC542A**30	CNPH*4221A**	58CV(A,X)070-12	40,500	11.8	14.0	42,000	3.60	8.0	26,400	2.48
3675515	25HCC542A**30	CNPH*4221A**	58CV(A,X)090-16	40,500	12.0	14.5	42,000	3.64	8.1	26,000	2.52
3675516	25HCC542A**30	CNPH*4221A**	58CV(A,X)110-20	40,500	12.0	14.5	42,000	3.66	8.1	26,200	2.52
3675517	25HCC542A**30	CNPH*4221A**	58CV(A,X)135-22	41,000	12.0	14.5	42,000	3.68	8.2	26,000	2.54
3675518	25HCC542A**30	CNPH*4221A**	58CV(A,X)155-22	41,000	12.0	14.5	41,500	3.68	8.2	26,000	2.54
3675529	25HCC542A**30	CNPH*4221A**	58HDV080--20	41,000	12.0	14.0	42,000	3.68	8.2	26,600	2.54
3675530	25HCC542A**30	CNPH*4221A**	58HDV100--20	41,000	12.0	14.0	42,000	3.66	8.2	26,200	2.52
3675524	25HCC542A**30	CNPH*4221A**	58ME(B,C)060-12	41,000	12.0	14.0	42,000	3.66	8.2	26,400	2.52
3675525	25HCC542A**30	CNPH*4221A**	58ME(B,C)080-12	41,000	12.0	14.5	42,000	3.68	8.2	26,400	2.54
3675526	25HCC542A**30	CNPH*4221A**	58ME(B,C)080-16	41,000	12.0	14.0	42,000	3.64	8.2	26,200	2.52
3675527	25HCC542A**30	CNPH*4221A**	58ME(B,C)100-20	41,000	12.0	14.5	42,000	3.70	8.2	26,000	2.56
3675528	25HCC542A**30	CNPH*4221A**	58ME(B,C)120-20	41,000	12.5	14.5	42,000	3.72	8.3	26,000	2.56
3675523	25HCC542A**30	CNPH*4221A**	58MEB040-12	41,000	12.0	14.0	42,000	3.68	8.2	26,400	2.54
3675509	25HCC542A**30	CNPH*4221A**	58MV(B,C)060-14	41,000	12.0	14.0	42,000	3.66	8.1	26,400	2.52
3675510	25HCC542A**30	CNPH*4221A**	58MV(B,C)080-14	40,500	11.8	14.0	42,000	3.60	8.0	26,400	2.48
3675511	25HCC542A**30	CNPH*4221A**	58MV(B,C)080-20	40,500	12.0	14.0	42,000	3.62	8.1	26,400	2.50
3675512	25HCC542A**30	CNPH*4221A**	58MV(B,C)100-20	40,500	12.0	14.0	41,500	3.60	8.0	26,200	2.50
3675513	25HCC542A**30	CNPH*4221A**	58MV(B,C)120-20	40,500	12.0	14.5	41,500	3.64	8.1	26,000	2.52
3675508	25HCC542A**30	CNPH*4221A**	58MVB040-14	40,500	12.0	14.0	42,000	3.58	8.0	26,200	2.48
3675519	25HCC542A**30	CNPH*4221A**	58PH*070-16	40,500	11.5	13.5	42,000	3.58	8.0	26,800	2.48
3675520	25HCC542A**30	CNPH*4221A**	58PH*090-16	41,000	12.0	14.5	42,000	3.68	8.2	26,000	2.54
3675521	25HCC542A**30	CNPH*4221A**	58PH*110-20	41,000	12.0	14.5	42,000	3.68	8.2	26,000	2.54
3675522	25HCC542A**30	CNPH*4221A**	58PH*135-20	41,000	12.0	14.5	42,000	3.66	8.2	26,000	2.54
3810707	25HCC542A**30	CNPH*4221A**	58VLR120-20	40,500	12.0	14.5	42,000	3.66	8.2	26,000	2.52
3810706	25HCC542A**30	CNPH*4221A**	58VMR120-20	40,500	12.0	14.5	42,000	3.64	8.2	26,000	2.52
4804020	25HCC542A**30	CNPH*4221A**	59*N*A060V17**14	40,000	11.4	13.7	42,000	3.52	8.0	26,200	2.44
4804021	25HCC542A**30	CNPH*4221A**	59*N*A080V17**14	40,500	11.5	14.0	42,000	3.56	8.0	26,200	2.46
4804022	25HCC542A**30	CNPH*4221A**	59*N*A100V21**20	40,500	11.8	14.2	42,000	3.58	8.2	26,000	2.48
4804023	25HCC542A**30	CNPH*4221A**	59*N*A120V24**22	40,500	12.0	14.5	41,500	3.62	8.2	26,000	2.50
4804024	25HCC542A**30	CNPH*4221A**	59*P5A060E17**14	40,500	11.5	14.0	42,000	3.58	8.0	26,600	2.46
4804025	25HCC542A**30	CNPH*4221A**	59*P5A080E17**16	40,500	11.5	14.0	42,000	3.60	8.2	26,600	2.48
4804026	25HCC542A**30	CNPH*4221A**	59*P5A100E21**16	40,500	11.8	14.2	42,000	3.58	8.2	26,200	2.48
4804027	25HCC542A**30	CNPH*4221A**	59*P5A120E24**22	41,000	12.0	14.5	42,000	3.68	8.2	26,400	2.54
4194750	25HCC542A**30	CNPH*4221A**	OVLAAB048112	41,000	11.5	13.5	42,000	3.62	8.2	26,800	2.50
4194751	25HCC542A**30	CNPH*4221A**	OVLAAB060154	41,500	12.0	14.0	42,000	3.76	8.5	27,000	2.56
4194749	25HCC542A**30	CNPH*4221A**	OVMAAB042112	40,500	12.0	14.0	42,000	3.60	8.2	26,400	2.50
3675542	25HCC542A**30	CNPH*4221A**+TDR		41,000	11.5	13.5	42,000	3.62	8.0	27,200	2.48
3675547	25HCC542A**30	CNPH*4321A**	58HDV080--20	42,000	12.5	15.0	42,000	3.92	8.5	27,000	2.64
3675548	25HCC542A**30	CNPH*4321A**	58HDV100--20	42,000	12.5	15.0	42,000	3.90	8.6	26,600	2.64
3810709	25HCC542A**30	CNPH*4321A**	58VLR120-20	42,000	12.5	15.0	42,000	3.86	8.5	26,400	2.64
3810708	25HCC542A**30	CNPH*4321A**	58VMR120-20	42,000	12.5	15.0	42,000	3.84	8.5	26,400	2.62
4804028	25HCC542A**30	CNPH*4321A**	59*N*A060V17**14	41,500	12.0	14.5	42,000	3.72	8.2	26,600	2.54
4804029	25HCC542A**30	CNPH*4321A**	59*N*A080V17**14	41,500	12.0	14.5	42,000	3.76	8.5	26,400	2.56
4804030	25HCC542A**30	CNPH*4321A**	59*N*A100V21**20	41,500	12.5	15.0	42,000	3.80	8.5	26,400	2.58
4804031	25HCC542A**30	CNPH*4321A**	59*N*A120V24**22	42,000	12.5	15.2	42,000	3.82	8.5	26,200	2.60
4804032	25HCC542A**30	CNPH*4321A**	59*P5A060E17**14	42,000	12.0	14.5	42,000	3.78	8.5	26,800	2.56
4804033	25HCC542A**30	CNPH*4321A**	59*P5A080E17**16	42,000	12.0	14.5	42,000	3.82	8.5	26,800	2.58
4804034	25HCC542A**30	CNPH*4321A**	59*P5A100E21**16	42,000	12.5	15.0	42,000	3.82	8.5	26,600	2.58
4804035	25HCC542A**30	CNPH*4321A**	59*P5A120E24**22	42,000	12.5	15.2	42,000	3.92	8.8	26,800	2.64
4194753	25HCC542A**30	CNPH*4321A**	OVLAAB048112	42,000	12.0	14.5	42,000	3.84	8.5	27,000	2.58
4194754	25HCC542A**30	CNPH*4321A**	OVLAAB060154	42,000	12.5	15.0	42,000	3.98	8.5	27,200	2.68
4194752	25HCC542A**30	CNPH*4321A**	OVMAAB042112	42,000	12.5	14.5	42,000	3.82	8.5	26,600	2.60
3675555	25HCC542A**30	CNPH*4821A**	58CV(A,X)070-12	41,000	12.0	14.5	42,000	3.72	8.2	26,400	2.54
3675556	25HCC542A**30	CNPH*4821A**	58CV(A,X)090-16	41,500	12.5	15.0	42,000	3.78	8.5	26,200	2.58
3675557	25HCC542A**30	CNPH*4821A**	58CV(A,X)110-20	41,500	12.5	15.0	42,000	3.80	8.5	26,200	2.60
3675558	25HCC542A**30	CNPH*4821A**	58CV(A,X)135-22	41,500	12.5	15.0	42,000	3.82	8.4	26,000	2.62
3675559	25HCC542A**30	CNPH*4821A**	58CV(A,X)155-22	41,500	12.5	15.0	42,000	3.82	8.4	26,000	2.62

See notes on pg. 36

COMBINATION RATINGS CONTINUED

AHRI Ref. No.	Model Number	Coil Model Number	Furnace Model Number	Cooling Capacity	EER	SEER	High Temp		HSPF	Low Temp	
							E Capacity	E COP		H Capacity	H COP
3675570	25HCC542A**30	CNPH*4821A**	58HDV080--20	42,000	12.2	14.5	42,000	3.82	8.4	26,400	2.60
3675571	25HCC542A**30	CNPH*4821A**	58HDV100--20	42,000	12.5	15.0	42,000	3.82	8.4	26,400	2.60
3675565	25HCC542A**30	CNPH*4821A**	58ME(B,C)060-12	42,000	12.0	14.5	42,000	3.82	8.3	26,600	2.60
3675566	25HCC542A**30	CNPH*4821A**	58ME(B,C)080-12	42,000	12.0	14.5	42,000	3.82	8.4	26,600	2.60
3675567	25HCC542A**30	CNPH*4821A**	58ME(B,C)080-16	41,500	12.0	14.5	42,000	3.80	8.3	26,400	2.60
3675568	25HCC542A**30	CNPH*4821A**	58ME(B,C)100-20	42,000	12.5	15.0	42,000	3.84	8.4	26,400	2.62
3675569	25HCC542A**30	CNPH*4821A**	58ME(B,C)120-20	42,000	12.5	15.0	42,000	3.88	8.6	26,200	2.64
3675564	25HCC542A**30	CNPH*4821A**	58MEB040-12	42,000	12.0	14.5	42,000	3.82	8.4	26,600	2.60
3675550	25HCC542A**30	CNPH*4821A**	58MV(B,C)060-14	41,500	12.5	14.5	42,000	3.80	8.3	26,400	2.60
3675551	25HCC542A**30	CNPH*4821A**	58MV(B,C)080-14	41,000	12.0	14.5	42,000	3.74	8.2	26,400	2.56
3675552	25HCC542A**30	CNPH*4821A**	58MV(B,C)080-20	41,500	12.0	14.5	42,000	3.76	8.2	26,400	2.56
3675553	25HCC542A**30	CNPH*4821A**	58MV(B,C)100-20	41,000	12.0	14.5	42,000	3.72	8.2	26,200	2.56
3675554	25HCC542A**30	CNPH*4821A**	58MV(B,C)120-20	41,500	12.5	14.5	42,000	3.78	8.4	26,200	2.60
3675549	25HCC542A**30	CNPH*4821A**	58MVB040-14	41,000	12.0	14.5	42,000	3.72	8.2	26,400	2.54
3675560	25HCC542A**30	CNPH*4821A**	58PH*070-16	41,500	12.0	14.0	42,000	3.72	8.1	27,000	2.54
3675561	25HCC542A**30	CNPH*4821A**	58PH*090-16	42,000	12.5	15.0	42,000	3.82	8.5	26,400	2.62
3675562	25HCC542A**30	CNPH*4821A**	58PH*110-20	42,000	12.5	15.0	42,000	3.84	8.4	26,200	2.62
3675563	25HCC542A**30	CNPH*4821A**	58PH*135-20	41,500	12.5	15.0	42,000	3.84	8.4	26,400	2.62
3810711	25HCC542A**30	CNPH*4821A**	58VLR120-20	41,500	12.5	15.0	42,000	3.78	8.5	26,200	2.60
3810710	25HCC542A**30	CNPH*4821A**	58VMR120-20	41,500	12.5	15.0	42,000	3.76	8.5	26,200	2.58
4804036	25HCC542A**30	CNPH*4821A**	59*N*A060V17**14	41,000	11.8	14.2	42,000	3.64	8.2	26,400	2.50
4804037	25HCC542A**30	CNPH*4821A**	59*N*A080V17**14	41,000	12.0	14.5	42,000	3.68	8.2	26,200	2.52
4804038	25HCC542A**30	CNPH*4821A**	59*N*A100V21**20	41,000	12.0	14.5	42,000	3.72	8.2	26,200	2.56
4804039	25HCC542A**30	CNPH*4821A**	59*N*A120V24**22	41,000	12.5	15.0	42,000	3.74	8.5	26,000	2.56
4804040	25HCC542A**30	CNPH*4821A**	59*P5A060E17**14	41,500	11.8	14.2	42,000	3.70	8.2	26,800	2.52
4804041	25HCC542A**30	CNPH*4821A**	59*P5A080E17**16	41,500	12.0	14.5	42,000	3.74	8.5	26,800	2.56
4804042	25HCC542A**30	CNPH*4821A**	59*P5A100E21**16	41,500	12.0	14.5	42,000	3.72	8.2	26,400	2.56
4804043	25HCC542A**30	CNPH*4821A**	59*P5A120E24**22	42,000	12.5	15.0	42,000	3.84	8.5	26,600	2.60
4194756	25HCC542A**30	CNPH*4821A**	OVLAA08048112	41,500	12.0	14.0	42,000	3.76	8.5	26,800	2.56
4194757	25HCC542A**30	CNPH*4821A**	OVLAA060154	42,000	12.5	15.0	42,000	3.90	8.5	27,000	2.64
4194755	25HCC542A**30	CNPH*4821A**	OVMAAB042112	41,500	12.0	14.5	42,000	3.74	8.4	26,600	2.56
3675595	25HCC542A**30	CNPH*4821A**+TDR		41,500	11.5	13.5	42,000	3.72	8.2	27,400	2.52
3675786	25HCC542A**30	CNPV*4217A**	58CV(A,X)090-16	41,000	12.0	14.5	42,000	3.70	8.2	26,200	2.56
3675789	25HCC542A**30	CNPV*4217A**	58ME(B,C)060-12	41,500	12.0	14.5	42,000	3.72	8.2	26,600	2.56
3675790	25HCC542A**30	CNPV*4217A**	58ME(B,C)080-12	41,500	12.0	14.5	42,000	3.72	8.3	26,400	2.56
3675791	25HCC542A**30	CNPV*4217A**	58ME(B,C)080-16	41,000	12.0	14.5	42,000	3.70	8.2	26,400	2.54
3675788	25HCC542A**30	CNPV*4217A**	58MEB040-12	41,500	12.0	14.5	42,000	3.72	8.2	26,400	2.56
3675785	25HCC542A**30	CNPV*4217A**	58MV(B,C)060-14	41,500	12.0	14.5	42,000	3.72	8.2	26,600	2.54
3675787	25HCC542A**30	CNPV*4217A**	58PH*070-16	41,000	11.5	13.5	42,000	3.64	8.0	26,800	2.50
3675793	25HCC542A**30	CNPV*4217A**	58UVB060-14	41,500	12.0	14.5	42,000	3.72	8.2	26,600	2.54
4803996	25HCC542A**30	CNPV*4217A**	59*N*A060V17**14	40,500	11.5	14.0	42,000	3.58	8.0	26,400	2.46
4803997	25HCC542A**30	CNPV*4217A**	59*N*A080V17**14	40,500	11.8	14.2	42,000	3.60	8.2	26,200	2.48
4803998	25HCC542A**30	CNPV*4217A**	59*P5A060E17**14	41,000	11.5	14.0	42,000	3.62	8.2	26,600	2.48
4803999	25HCC542A**30	CNPV*4217A**	59*P5A080E17**16	41,000	11.8	14.2	42,000	3.66	8.2	26,600	2.52
4194740	25HCC542A**30	CNPV*4217A**	OVMAAB042112	41,000	12.0	14.0	42,000	3.66	8.2	26,600	2.52
3675795	25HCC542A**30	CNPV*4217A**+TDR		41,500	11.5	13.5	42,000	3.68	8.1	27,400	2.50
3675806	25HCC542A**30	CNPV*4221A**	58CV(A,X)110-20	40,500	12.0	14.5	42,000	3.66	8.1	26,200	2.52
4194726	25HCC542A**30	CNPV*4221A**	58HDV080--20	41,000	12.0	14.0	42,000	3.68	8.2	26,600	2.54
3675809	25HCC542A**30	CNPV*4221A**	58ME(B,C)100-20	41,000	12.0	14.5	42,000	3.70	8.2	26,000	2.56
3675803	25HCC542A**30	CNPV*4221A**	58MV(B,C)080-14	40,500	11.8	14.0	42,000	3.60	8.0	26,400	2.48
3675804	25HCC542A**30	CNPV*4221A**	58MV(B,C)080-20	40,500	12.0	14.0	42,000	3.62	8.1	26,400	2.50
3675805	25HCC542A**30	CNPV*4221A**	58MV(B,C)100-20	40,500	12.0	14.0	41,500	3.60	8.0	26,200	2.50
3675807	25HCC542A**30	CNPV*4221A**	58PH*090-16	41,000	12.0	14.5	42,000	3.68	8.2	26,000	2.54
3675808	25HCC542A**30	CNPV*4221A**	58PH*110-20	41,000	12.0	14.5	42,000	3.68	8.2	26,000	2.54
3675813	25HCC542A**30	CNPV*4221A**	58UVB080-14	40,500	11.8	14.0	42,000	3.60	8.0	26,400	2.48
3675814	25HCC542A**30	CNPV*4221A**	58UVB080-20	40,500	12.0	14.0	42,000	3.62	8.1	26,400	2.50
3675815	25HCC542A**30	CNPV*4221A**	58UVB100-20	40,500	12.0	14.0	41,500	3.60	8.0	26,200	2.50
3810703	25HCC542A**30	CNPV*4221A**	58VLR120-20	40,500	12.0	14.5	42,000	3.66	8.2	26,000	2.52
3810702	25HCC542A**30	CNPV*4221A**	58VMR120-20	40,500	12.0	14.5	42,000	3.64	8.2	26,000	2.52
4804000	25HCC542A**30	CNPV*4221A**	59*N*A060V17**14	40,000	11.4	13.7	42,000	3.62	8.0	26,200	2.44
4804001	25HCC542A**30	CNPV*4221A**	59*N*A080V17**14	40,500	11.5	14.0	42,000	3.56	8.0	26,200	2.46
4804002	25HCC542A**30	CNPV*4221A**	59*N*A100V21**20	40,500	11.8	14.2	42,000	3.58	8.2	26,000	2.48
4804003	25HCC542A**30	CNPV*4221A**	59*P5A060E17**14	40,500	11.5	14.0	42,000	3.58	8.0	26,600	2.46
4804004	25HCC542A**30	CNPV*4221A**	59*P5A080E17**16	40,500	11.5	14.0	42,000	3.60	8.2	26,600	2.48
4804005	25HCC542A**30	CNPV*4221A**	59*P5A100E21**16	40,500	11.8	14.2	42,000	3.58	8.2	26,200	2.48
4194742	25HCC542A**30	CNPV*4221A**	OVLAA08048112	41,000	11.5	13.5	42,000	3.62	8.2	26,800	2.50
4194741	25HCC542A**30	CNPV*4221A**	OVMAAB042112	40,500	12.0	14.0	42,000	3.60	8.2	26,400	2.50
3675817	25HCC542A**30	CNPV*4221A**+TDR		41,000	11.5	13.5	42,000	3.62	8.0	27,200	2.48
3675835	25HCC542A**30	CNPV*4324A**	58CV(A,X)110-20	42,000	12.5	15.0	42,000	3.90	8.6	26,200	2.64
3675828	25HCC542A**30	CNPV*4324A**	58CV(A,X)135-22	42,000	13.0	15.5	42,000	3.92	8.7	26,200	2.66
3675829	25HCC542A**30	CNPV*4324A**	58CV(A,X)155-22	42,000	13.0	15.5	42,000	3.92	8.7	26,200	2.66
4194727	25HCC542A**30	CNPV*4324A**	58HDV080--20	42,000	12.5	15.0	42,000	3.94	8.5	27,000	2.64
4149673	25HCC542A**30	CNPV*4324A**	58HDV100--20	42,000	12.5	15.0	42,000	3.92	8.6	26,600	2.64
3676315	25HCC542A**30	CNPV*4324A**	58HDV100--20 (DNFLW ONLY)	42,000	12.5	15.0	42,000	3.92	8.6	26,600	2.64
3675834	25HCC542A**30	CNPV*4324A**	58ME(B,C)100-20	42,000	12.5	15.0	42,000	3.96	8.7	26,400	2.68
3675831	25HCC542A**30	CNPV*4324A**	58ME(B,C)120-20	42,000	13.0	15.5	42,000	3.98	8.7	26,600	2.70
3675832	25HCC542A**30	CNPV*4324A**	58MV(B,C)080-20	42,000	12.5	15.0	42,000	3.86	8.5	26,600	2.62
3675833	25HCC542A**30	CNPV*4324A**	58MV(B,C)100-20	42,000	12.5	15.0	42,000	3.82	8.5	26,400	2.60

25HCC5

See notes on pg. 36

COMBINATION RATINGS CONTINUED

AHRI Ref. No.	Model Number	Coil Model Number	Furnace Model Number	Cooling Capacity	EER	SEER	High Temp		HSPF	Low Temp	
							E Capacity	E COP		H Capacity	H COP
3675827	25HCC542A**30	CNPV*4324A**	58MV(B,C)120-20	42,000	12.5	15.0	42,000	3.88	8.5	26,400	2.64
3675826	25HCC542A**30	CNPV*4324A**	58MVB040-14	42,000	12.5	15.0	42,000	3.82	8.5	26,400	2.60
3675836	25HCC542A**30	CNPV*4324A**	58PH*110-20	42,000	13.0	15.5	42,000	3.96	8.7	26,400	2.68
3675830	25HCC542A**30	CNPV*4324A**	58PH*135-20	42,000	13.0	15.5	42,000	3.94	8.6	26,600	2.66
3675841	25HCC542A**30	CNPV*4324A**	58UVB080-20	42,000	12.5	15.0	42,000	3.86	8.5	26,600	2.62
3675842	25HCC542A**30	CNPV*4324A**	58UVB100-20	42,000	12.5	15.0	42,000	3.82	8.5	26,400	2.60
3675840	25HCC542A**30	CNPV*4324A**	58UVB120-20	42,000	12.5	15.0	42,000	3.88	8.5	26,400	2.64
4804006	25HCC542A**30	CNPV*4324A**	59*N*A100V21**20	42,000	12.5	15.0	42,000	3.82	8.5	26,200	2.60
4804007	25HCC542A**30	CNPV*4324A**	59*N*A120V24**22	42,000	12.5	15.2	42,000	3.84	8.5	26,200	2.62
4804008	25HCC542A**30	CNPV*4324A**	59*P5A100E21**16	42,000	12.5	15.0	42,000	3.84	8.5	26,600	2.60
4804009	25HCC542A**30	CNPV*4324A**	59*P5A120E24**22	42,000	12.5	15.2	42,000	3.94	8.8	26,800	2.66
4194743	25HCC542A**30	CNPV*4324A**	OVLAAB048112	42,000	12.5	14.5	42,000	3.86	8.5	27,000	2.60
4194744	25HCC542A**30	CNPV*4324A**	OVLAAB060154	42,000	12.5	15.0	42,000	4.00	8.5	27,200	2.68
3675825	25HCC542A**30	CNPV*4324A**		42,000	12.0	14.0	42,000	3.82	8.3	27,600	2.56
3675847	25HCC542A**30	CNPV*4821A**	58CV(A,X)110-20	41,500	12.5	15.0	42,000	3.80	8.5	26,200	2.60
4194728	25HCC542A**30	CNPV*4821A**	58HDV080--20	42,000	12.5	14.5	42,000	3.82	8.5	26,800	2.60
3675850	25HCC542A**30	CNPV*4821A**	58ME(B,C)100-20	42,000	12.5	15.0	42,000	3.84	8.4	26,400	2.62
3675844	25HCC542A**30	CNPV*4821A**	58MV(B,C)080-14	41,000	12.0	14.5	42,000	3.74	8.2	26,400	2.56
3675845	25HCC542A**30	CNPV*4821A**	58MV(B,C)080-20	41,500	12.0	14.5	42,000	3.76	8.2	26,400	2.56
3675846	25HCC542A**30	CNPV*4821A**	58MV(B,C)100-20	41,000	12.0	14.5	42,000	3.72	8.2	26,200	2.56
3675848	25HCC542A**30	CNPV*4821A**	58PH*090-16	42,000	12.5	15.0	42,000	3.82	8.4	26,400	2.62
3675849	25HCC542A**30	CNPV*4821A**	58PH*110-20	42,000	12.5	15.0	42,000	3.84	8.4	26,200	2.62
3675858	25HCC542A**30	CNPV*4821A**	58UVB080-14	41,000	12.0	14.5	42,000	3.74	8.2	26,400	2.56
3675859	25HCC542A**30	CNPV*4821A**	58UVB080-20	41,500	12.0	14.5	42,000	3.76	8.2	26,400	2.56
3675860	25HCC542A**30	CNPV*4821A**	58UVB100-20	41,000	12.0	14.5	42,000	3.72	8.2	26,200	2.56
3810705	25HCC542A**30	CNPV*4821A**	58VLR120-20	41,500	12.5	15.0	42,000	3.78	8.5	26,200	2.60
3810704	25HCC542A**30	CNPV*4821A**	58VMR120-20	41,500	12.5	15.0	42,000	3.76	8.5	26,200	2.58
4804010	25HCC542A**30	CNPV*4821A**	59*N*A060V17**14	41,000	11.8	14.2	42,000	3.64	8.2	26,400	2.50
4804011	25HCC542A**30	CNPV*4821A**	59*N*A080V17**14	41,000	12.0	14.5	42,000	3.68	8.2	26,200	2.52
4804012	25HCC542A**30	CNPV*4821A**	59*N*A100V21**20	41,000	12.0	14.5	42,000	3.72	8.2	26,200	2.56
4804013	25HCC542A**30	CNPV*4821A**	59*P5A060E17**14	41,500	11.8	14.2	42,000	3.70	8.2	26,800	2.52
4804014	25HCC542A**30	CNPV*4821A**	59*P5A080E17**16	41,500	12.0	14.5	42,000	3.74	8.5	26,800	2.56
4804015	25HCC542A**30	CNPV*4821A**	59*P5A100E21**16	41,500	12.0	14.5	42,000	3.72	8.2	26,400	2.56
4194746	25HCC542A**30	CNPV*4821A**	OVLAAB048112	41,500	12.0	14.0	42,000	3.76	8.5	26,800	2.56
4194745	25HCC542A**30	CNPV*4821A**	OVMAAB042112	41,500	12.0	14.5	42,000	3.74	8.4	26,600	2.56
3675863	25HCC542A**30	CNPV*4821A**+TDR		41,500	11.5	13.5	42,000	3.72	8.2	27,400	2.52
3675867	25HCC542A**30	CNPV*4824A**	58CV(A,X)135-22	41,500	12.5	15.0	42,000	3.82	8.4	26,000	2.62
3675868	25HCC542A**30	CNPV*4824A**	58CV(A,X)155-22	41,500	12.5	15.0	42,000	3.82	8.4	26,000	2.62
4194729	25HCC542A**30	CNPV*4824A**	58HDV080--20	42,000	12.5	14.5	42,000	3.82	8.5	26,800	2.60
4194668	25HCC542A**30	CNPV*4824A**	58HDV100--20	42,000	12.5	15.0	42,000	3.82	8.4	26,400	2.60
3676316	25HCC542A**30	CNPV*4824A**	58HDV100--20 (DNFLW ONLY)	42,000	12.5	15.0	42,000	3.82	8.4	26,400	2.60
3675870	25HCC542A**30	CNPV*4824A**	58ME(B,C)120-20	42,000	12.5	15.0	42,000	3.88	8.6	26,200	2.64
3675866	25HCC542A**30	CNPV*4824A**	58MV(B,C)120-20	41,500	12.5	14.5	42,000	3.78	8.4	26,200	2.60
3675865	25HCC542A**30	CNPV*4824A**	58MVB040-14	41,000	12.0	14.5	42,000	3.72	8.2	26,400	2.54
3675869	25HCC542A**30	CNPV*4824A**	58PH*135-20	41,500	12.5	15.0	42,000	3.84	8.5	26,400	2.62
3675876	25HCC542A**30	CNPV*4824A**	58UVB120-20	41,500	12.5	14.5	42,000	3.78	8.4	26,200	2.60
4804016	25HCC542A**30	CNPV*4824A**	59*N*A100V21**20	41,000	12.0	14.5	42,000	3.72	8.2	26,200	2.56
4804017	25HCC542A**30	CNPV*4824A**	59*N*A120V24**22	41,000	12.5	15.0	42,000	3.74	8.5	26,000	2.56
4804018	25HCC542A**30	CNPV*4824A**	59*P5A100E21**16	41,500	12.0	14.5	42,000	3.72	8.2	26,400	2.56
4804019	25HCC542A**30	CNPV*4824A**	59*P5A120E24**22	42,000	12.5	15.0	42,000	3.84	8.5	26,600	2.60
4194747	25HCC542A**30	CNPV*4824A**	OVLAAB048112	41,500	12.0	14.0	42,000	3.76	8.5	26,800	2.56
4194748	25HCC542A**30	CNPV*4824A**	OVLAAB060154	42,000	12.5	15.0	42,000	3.90	8.5	27,000	2.64
3675878	25HCC542A**30	CNPV*4824A**+TDR		41,500	11.5	13.5	42,000	3.72	8.2	27,400	2.52
3676080	25HCC542A**30	CSPH*4212A**	58CV(A,X)070-12	41,000	12.0	14.0	42,000	3.72	8.1	26,600	2.54
3676081	25HCC542A**30	CSPH*4212A**	58CV(A,X)090-16	41,500	12.5	15.0	42,000	3.78	8.5	26,200	2.58
3676082	25HCC542A**30	CSPH*4212A**	58CV(A,X)110-20	40,500	12.0	14.5	42,000	3.78	8.2	26,400	2.58
3676083	25HCC542A**30	CSPH*4212A**	58CV(A,X)135-22	41,500	12.0	14.5	42,000	3.82	8.2	26,200	2.62
3676084	25HCC542A**30	CSPH*4212A**	58CV(A,X)155-22	41,500	12.0	14.5	41,500	3.80	8.2	26,200	2.62
3676095	25HCC542A**30	CSPH*4212A**	58HDV080--20	41,000	12.0	14.0	42,000	3.82	8.2	26,800	2.58
3676096	25HCC542A**30	CSPH*4212A**	58HDV100--20	41,000	12.0	14.0	42,000	3.80	8.2	26,400	2.60
3676090	25HCC542A**30	CSPH*4212A**	58ME(B,C)060-12	41,500	12.0	14.5	42,000	3.80	8.2	26,600	2.58
3676091	25HCC542A**30	CSPH*4212A**	58ME(B,C)080-12	41,500	12.0	14.5	42,000	3.80	8.3	26,600	2.60
3676092	25HCC542A**30	CSPH*4212A**	58ME(B,C)080-16	41,500	12.0	14.5	42,000	3.78	8.2	26,400	2.58
3676093	25HCC542A**30	CSPH*4212A**	58ME(B,C)100-20	41,500	12.0	14.5	42,000	3.82	8.3	26,400	2.62
3676094	25HCC542A**30	CSPH*4212A**	58ME(B,C)120-20	41,000	12.5	15.0	42,000	3.86	8.3	26,200	2.64
3676089	25HCC542A**30	CSPH*4212A**	58MEB040-12	41,500	12.0	14.5	42,000	3.80	8.3	26,600	2.60
3676075	25HCC542A**30	CSPH*4212A**	58MV(B,C)060-14	41,500	12.0	14.5	42,000	3.78	8.2	26,600	2.58
3676076	25HCC542A**30	CSPH*4212A**	58MV(B,C)080-14	41,000	12.0	14.0	42,000	3.72	8.0	26,600	2.54
3676077	25HCC542A**30	CSPH*4212A**	58MV(B,C)080-20	41,500	12.0	14.0	42,000	3.74	8.1	26,600	2.56
3676078	25HCC542A**30	CSPH*4212A**	58MV(B,C)100-20	41,000	12.0	14.0	41,500	3.72	8.0	26,200	2.56
3676079	25HCC542A**30	CSPH*4212A**	58MV(B,C)120-20	40,500	12.0	14.5	41,500	3.78	8.1	26,200	2.58
3676074	25HCC542A**30	CSPH*4212A**	58MVB040-14	41,000	12.0	14.0	42,000	3.70	8.0	26,400	2.54
3676085	25HCC542A**30	CSPH*4212A**	58PH*070-16	41,000	11.5	13.5	42,000	3.72	8.1	27,000	2.52
3676086	25HCC542A**30	CSPH*4212A**	58PH*090-16	41,500	12.5	15.0	42,000	3.80	8.5	26,400	2.60
3676087	25HCC542A**30	CSPH*4212A**	58PH*110-20	41,500	12.0	14.5	42,000	3.82	8.2	26,200	2.62
3676088	25HCC542A**30	CSPH*4212A**	58PH*135-20	41,500	12.0	14.5	42,000	3.80	8.2	26,400	2.60
3810713	25HCC542A**30	CSPH*4212A**	58VLR120-20	41,500	12.5	15.0	42,000	3.78	8.5	26,200	2.58
3810712	25HCC542A**30	CSPH*4212A**	58VMR120-20	41,500	12.5	15.0	42,000	3.76	8.5	26,200	2.58

See notes on pg. 36

COMBINATION RATINGS CONTINUED

AHRI Ref. No.	Model Number	Coil Model Number	Furnace Model Number	Cooling Capacity	EER	SEER	High Temp		HSPF	Low Temp	
							E Capacity	E COP		H Capacity	H COP
4804044	25HCC542A**30	CSPH*4212A**	59*N*A060V17**14	41,000	11.8	14.2	42,000	3.64	8.2	26,400	2.50
4804045	25HCC542A**30	CSPH*4212A**	59*N*A080V17**14	41,000	12.0	14.5	42,000	3.68	8.2	26,400	2.52
4804046	25HCC542A**30	CSPH*4212A**	59*N*A100V21**20	41,500	12.0	14.5	42,000	3.72	8.2	26,200	2.54
4804047	25HCC542A**30	CSPH*4212A**	59*N*A120V24**22	41,500	12.5	15.0	42,000	3.74	8.2	26,200	2.56
4804048	25HCC542A**30	CSPH*4212A**	59*P5A060E17**14	41,500	11.8	14.2	42,000	3.70	8.2	26,800	2.52
4804049	25HCC542A**30	CSPH*4212A**	59*P5A080E17**16	41,500	12.0	14.5	42,000	3.74	8.2	26,800	2.54
4804050	25HCC542A**30	CSPH*4212A**	59*P5A100E21**16	41,500	12.0	14.5	42,000	3.72	8.2	26,400	2.54
4804051	25HCC542A**30	CSPH*4212A**	59*P5A120E24**22	42,000	12.5	15.0	42,000	3.80	8.2	26,600	2.60
4194759	25HCC542A**30	CSPH*4212A**	OVLAAB048112	42,000	12.0	14.0	42,000	3.74	8.4	27,000	2.54
4194760	25HCC542A**30	CSPH*4212A**	OVLAAB060154	42,000	12.5	15.0	42,000	3.88	8.5	27,200	2.62
4194758	25HCC542A**30	CSPH*4212A**	OVMAAB042112	41,500	12.0	14.5	42,000	3.74	8.4	26,600	2.54
3676108	25HCC542A**30	CSPH*4212A**+TDR		41,000	11.5	13.5	42,000	3.74	8.0	27,400	2.54
3676115	25HCC542A**30	CSPH*4812A**	58CV(A,X)070-12	41,500	12.0	14.5	42,000	3.74	8.2	26,600	2.56
3676116	25HCC542A**30	CSPH*4812A**	58CV(A,X)090-16	41,500	12.5	15.0	42,000	3.80	8.4	26,400	2.60
3676117	25HCC542A**30	CSPH*4812A**	58CV(A,X)110-20	42,000	12.5	15.0	42,000	3.82	8.5	26,400	2.60
3676118	25HCC542A**30	CSPH*4812A**	58CV(A,X)135-22	42,000	12.5	15.0	42,000	3.84	8.4	26,200	2.62
3676119	25HCC542A**30	CSPH*4812A**	58CV(A,X)155-22	42,000	12.5	15.0	42,000	3.84	8.4	26,200	2.62
3676130	25HCC542A**30	CSPH*4812A**	58HDV080--20	42,000	12.2	14.5	42,000	3.84	8.4	26,800	2.60
3676131	25HCC542A**30	CSPH*4812A**	58HDV100--20	42,000	12.5	15.0	42,000	3.82	8.4	26,600	2.60
3676125	25HCC542A**30	CSPH*4812A**	58ME(B,C)060-12	42,000	12.5	14.5	42,000	3.82	8.3	26,600	2.60
3676126	25HCC542A**30	CSPH*4812A**	58ME(B,C)080-12	42,000	12.5	15.0	42,000	3.84	8.4	26,600	2.60
3676127	25HCC542A**30	CSPH*4812A**	58ME(B,C)080-16	41,500	12.5	14.5	42,000	3.82	8.3	26,400	2.60
3676128	25HCC542A**30	CSPH*4812A**	58ME(B,C)100-20	42,000	12.5	15.0	42,000	3.86	8.4	26,400	2.62
3676129	25HCC542A**30	CSPH*4812A**	58ME(B,C)120-20	42,000	12.5	15.0	42,000	3.88	8.5	26,400	2.64
3676124	25HCC542A**30	CSPH*4812A**	58MEB040-12	42,000	12.5	14.5	42,000	3.84	8.4	26,600	2.60
3676110	25HCC542A**30	CSPH*4812A**	58MV(B,C)060-14	42,000	12.5	14.5	42,000	3.82	8.3	26,600	2.60
3676111	25HCC542A**30	CSPH*4812A**	58MV(B,C)080-14	41,000	12.0	14.5	42,000	3.74	8.2	26,600	2.56
3676112	25HCC542A**30	CSPH*4812A**	58MV(B,C)080-20	41,500	12.5	14.5	42,000	3.78	8.2	26,600	2.58
3676113	25HCC542A**30	CSPH*4812A**	58MV(B,C)100-20	41,500	12.0	14.5	42,000	3.74	8.2	26,400	2.56
3676114	25HCC542A**30	CSPH*4812A**	58MV(B,C)120-20	41,500	12.5	15.0	42,000	3.80	8.4	26,400	2.60
3676109	25HCC542A**30	CSPH*4812A**	58MV(B,C)140-20	41,000	12.0	14.5	42,000	3.74	8.2	26,400	2.56
3676120	25HCC542A**30	CSPH*4812A**	58PH*070-16	41,500	12.0	14.0	42,000	3.74	8.1	27,000	2.54
3676121	25HCC542A**30	CSPH*4812A**	58PH*090-16	42,000	12.5	15.0	42,000	3.84	8.4	26,400	2.62
3676122	25HCC542A**30	CSPH*4812A**	58PH*110-20	42,000	12.5	15.0	42,000	3.84	8.4	26,200	2.62
3676123	25HCC542A**30	CSPH*4812A**	58PH*135-20	41,500	12.5	15.0	42,000	3.84	8.4	26,400	2.62
3810715	25HCC542A**30	CSPH*4812A**	58VLR120-20	42,000	12.5	15.0	42,000	3.80	8.5	26,200	2.60
3810714	25HCC542A**30	CSPH*4812A**	58VMR120-20	41,500	12.5	15.0	42,000	3.78	8.5	26,200	2.58
4804052	25HCC542A**30	CSPH*4812A**	59*N*A060V17**14	41,000	11.8	14.2	42,000	3.66	8.2	26,600	2.50
4804053	25HCC542A**30	CSPH*4812A**	59*N*A080V17**14	41,500	12.0	14.5	42,000	3.70	8.2	26,400	2.54
4804054	25HCC542A**30	CSPH*4812A**	59*N*A100V21**20	41,500	12.0	14.5	42,000	3.74	8.5	26,400	2.56
4804055	25HCC542A**30	CSPH*4812A**	59*N*A120V24**22	41,500	12.5	15.0	42,000	3.76	8.5	26,200	2.58
4804056	25HCC542A**30	CSPH*4812A**	59*P5A060E17**14	41,500	12.0	14.5	42,000	3.72	8.2	26,800	2.54
4804057	25HCC542A**30	CSPH*4812A**	59*P5A080E17**16	42,000	12.0	14.5	42,000	3.76	8.5	26,800	2.56
4804058	25HCC542A**30	CSPH*4812A**	59*P5A100E21**16	41,500	12.0	14.5	42,000	3.74	8.5	26,400	2.56
4804059	25HCC542A**30	CSPH*4812A**	59*P5A120E24**22	42,000	12.5	15.2	42,000	3.84	8.5	26,600	2.60
4194762	25HCC542A**30	CSPH*4812A**	OVLAAB048112	42,000	12.0	14.5	42,000	3.78	8.4	27,000	2.56
4194763	25HCC542A**30	CSPH*4812A**	OVLAAB060154	42,000	12.5	15.0	42,000	3.92	8.5	27,200	2.64
4194761	25HCC542A**30	CSPH*4812A**	OVMAAB042112	41,500	12.0	14.5	42,000	3.76	8.5	26,600	2.56
3676155	25HCC542A**30	CSPH*4812A**+TDR		41,500	11.5	13.5	42,000	3.78	8.2	27,600	2.54
3810694	25HCC542A**30	FB4CNF042		42,000	12.0	13.5	42,000	3.78	8.5	26,800	2.60
3693236	25HCC542A**30	FB4CNF042+TXV		42,000	12.0	14.5	42,000	3.78	8.3	26,800	2.58
3810695	25HCC542A**30	FB4CNF048		42,000	12.5	13.5	42,000	3.82	8.5	26,800	2.60
3693237	25HCC542A**30	FB4CNF048+TXV		42,000	12.5	15.0	42,000	3.82	8.4	26,600	2.60
3676192	25HCC542A**30	FE4AN(B,F)003+UI		40,500	12.0	14.5	41,500	3.68	8.2	25,800	2.54
3676195	25HCC542A**30	FE4AN(B,F)005+UI		42,000	13.0	15.5	42,000	3.88	8.6	26,200	2.66
3676198	25HCC542A**30	FE4ANB006+UI		42,000	13.0	16.0	42,000	4.00	9.0	26,200	2.70
3676239	25HCC542A**30	FV4CN(B,F)003		40,500	12.0	14.5	41,500	3.68	8.2	25,800	2.54
3676242	25HCC542A**30	FV4CN(B,F)005		42,000	13.0	15.5	42,000	3.88	8.6	26,200	2.66
3676245	25HCC542A**30	FV4CNB006		42,000	13.0	16.0	42,000	4.00	9.0	26,200	2.70
3676271	25HCC542A**30	FX4DN(B,F)049		42,000	13.0	15.5	42,000	3.96	8.6	26,800	2.68
3810696	25HCC542A**30	FY5BNF042		42,000	12.0	13.0	42,000	3.74	8.5	27,000	2.56
3693249	25HCC542A**30	FY5BNF042+TXV		42,000	12.0	14.0	42,000	3.74	8.2	27,000	2.56
3810697	25HCC542A**30	FY5BNF048		42,000	12.0	13.5	42,000	3.82	8.5	27,400	2.60
3693250	25HCC542A**30	FY5BNF048+TXV		42,000	12.0	14.5	42,000	3.80	8.3	27,200	2.58
3676272	25HCC548A**30	†FX4DN(B,F)049		47,500	12.5	15.0	46,500	3.84	8.7	28,000	2.66
3675262	25HCC548A**30	CAP**4817A**	58CV(A,X)090-16	45,500	11.5	14.0	45,500	3.68	8.3	27,800	2.56
3675263	25HCC548A**30	CAP**4817A**	58ME(B,C)080-16	45,500	11.5	14.0	46,000	3.70	8.3	28,000	2.56
3675266	25HCC548A**30	CAP**4817A**+TDR		45,000	11.5	13.5	46,000	3.66	8.3	28,200	2.56
3675276	25HCC548A**30	CAP**4821A**	58CV(A,X)110-20	45,000	11.5	14.0	45,000	3.66	8.3	27,600	2.54
4194764	25HCC548A**30	CAP**4821A**	58HDV080--20	46,000	11.5	13.5	47,000	3.66	8.4	28,200	2.56
3675279	25HCC548A**30	CAP**4821A**	58ME(B,C)100-20	45,500	12.0	14.0	45,000	3.70	8.3	27,600	2.58
3675274	25HCC548A**30	CAP**4821A**	58MV(B,C)080-20	44,500	11.5	14.0	45,000	3.60	8.3	27,600	2.54
3675275	25HCC548A**30	CAP**4821A**	58MV(B,C)100-20	45,000	11.5	13.5	45,500	3.64	8.3	27,800	2.54
3675277	25HCC548A**30	CAP**4821A**	58PH*090-16	45,500	12.0	14.0	45,500	3.68	8.3	27,600	2.58
3675278	25HCC548A**30	CAP**4821A**	58PH*110-20	45,000	12.0	14.5	45,000	3.70	8.3	27,400	2.60
3675283	25HCC548A**30	CAP**4821A**	58UVB080-20	44,500	11.5	14.0	45,000	3.60	8.3	27,600	2.54
3675284	25HCC548A**30	CAP**4821A**	58UVB100-20	45,000	11.5	13.5	45,500	3.64	8.3	27,800	2.54
3810720	25HCC548A**30	CAP**4821A**	58VLR120-20	45,500	12.0	14.0	46,000	3.68	8.4	27,600	2.58

25HCC5

See notes on pg. 36

COMBINATION RATINGS CONTINUED

AHRI Ref. No.	Model Number	Coil Model Number	Furnace Model Number	Cooling Capacity	EER	SEER	High Temp		HSPF	Low Temp	
							E Capacity	E COP		H Capacity	H COP
3810719	25HCC548A**30	CAP**4821A**	58VMR120-20	45,500	11.5	14.0	46,000	3.64	8.4	27,600	2.56
4804060	25HCC548A**30	CAP**4821A**	59*N*A100V21**20	45,500	11.5	14.0	46,000	3.60	8.2	27,600	2.52
4804061	25HCC548A**30	CAP**4821A**	59*P5A100E21**16	45,500	11.4	13.7	46,500	3.60	8.2	27,800	2.52
3675286	25HCC548A**30	CAP**4821A**+TDR		45,500	11.5	13.5	46,500	3.68	8.3	28,600	2.54
3675288	25HCC548A**30	CAP**4823A**	58HDV080-20	45,500	11.5	13.5	46,000	3.66	8.3	28,200	2.54
4194770	25HCC548A**30	CAP**4823A**	58HDV100-20	46,000	11.5	14.0	46,500	3.66	8.4	27,800	2.56
4804072	25HCC548A**30	CAP**4823A**	59*N*A100V21**20	45,500	11.5	14.0	46,000	3.60	8.2	27,600	2.52
4804073	25HCC548A**30	CAP**4823A**	59*N*A120V24**22	45,500	11.8	14.2	46,000	3.62	8.2	27,400	2.54
4804074	25HCC548A**30	CAP**4823A**	59*P5A100E21**16	45,500	11.4	13.7	46,500	3.60	8.2	27,800	2.52
4804075	25HCC548A**30	CAP**4823A**	59*P5A120E24**22	46,000	11.8	14.2	46,000	3.66	8.2	27,600	2.56
3675290	25HCC548A**30	CAP**4823A**+TDR		45,500	11.5	13.5	46,500	3.68	8.3	28,600	2.54
3675298	25HCC548A**30	CAP**4824A**	58CV(A,X)135-22	45,500	12.0	14.5	45,000	3.70	8.3	27,400	2.60
3675299	25HCC548A**30	CAP**4824A**	58CV(A,X)155-22	45,500	12.0	14.5	45,000	3.74	8.3	27,200	2.62
4194765	25HCC548A**30	CAP**4824A**	58HDV080-20	46,000	11.5	13.5	47,000	3.68	8.5	28,200	2.56
4194766	25HCC548A**30	CAP**4824A**	58HDV100-20	46,000	11.5	14.0	46,500	3.68	8.5	27,800	2.56
3675301	25HCC548A**30	CAP**4824A**	58ME(B,C)120-20	45,500	12.0	14.5	45,000	3.76	8.5	27,600	2.62
3675297	25HCC548A**30	CAP**4824A**	58MV(B,C)120-20	45,000	12.0	14.0	45,000	3.68	8.3	27,600	2.56
3675300	25HCC548A**30	CAP**4824A**	58PH*135-20	45,500	12.0	14.0	45,500	3.72	8.5	27,600	2.60
3675303	25HCC548A**30	CAP**4824A**	58UVB120-20	45,000	12.0	14.0	45,000	3.68	8.3	27,600	2.56
4804062	25HCC548A**30	CAP**4824A**	59*N*A100V21**20	45,500	11.5	14.0	46,000	3.60	8.2	27,600	2.54
4804063	25HCC548A**30	CAP**4824A**	59*N*A120V24**22	45,500	11.8	14.2	46,000	3.64	8.2	27,200	2.56
4804064	25HCC548A**30	CAP**4824A**	59*P5A100E21**16	45,500	11.4	13.7	46,500	3.62	8.2	27,800	2.54
4804065	25HCC548A**30	CAP**4824A**	59*P5A120E24**22	46,000	11.8	14.2	46,500	3.70	8.2	27,600	2.58
4194776	25HCC548A**30	CAP**4824A**	OVLAAB060154	46,500	11.5	14.0	47,500	3.76	8.5	28,400	2.58
3675305	25HCC548A**30	CAP**4824A**+TDR		45,500	11.5	13.5	46,500	3.68	8.3	28,600	2.54
3675308	25HCC548A**30	CAP**6021A**	58CV(A,X)110-20	46,000	12.0	14.5	45,500	3.72	8.5	27,600	2.60
4194767	25HCC548A**30	CAP**6021A**	58HDV080-20	47,000	12.0	14.0	47,000	3.74	8.5	28,200	2.58
3675311	25HCC548A**30	CAP**6021A**	58ME(B,C)100-20	46,500	12.0	14.5	45,500	3.78	8.5	27,600	2.64
3675306	25HCC548A**30	CAP**6021A**	58MV(B,C)080-20	45,500	12.0	14.0	45,500	3.66	8.3	27,600	2.58
3675307	25HCC548A**30	CAP**6021A**	58MV(B,C)100-20	46,000	12.0	14.0	45,500	3.70	8.5	28,000	2.58
3675309	25HCC548A**30	CAP**6021A**	58PH*090-16	46,500	12.0	14.5	45,500	3.76	8.5	27,800	2.62
3675310	25HCC548A**30	CAP**6021A**	58PH*110-20	46,500	12.5	14.5	45,000	3.78	8.5	27,600	2.64
3675315	25HCC548A**30	CAP**6021A**	58UVB080-20	45,500	12.0	14.0	45,500	3.66	8.3	27,600	2.58
3675316	25HCC548A**30	CAP**6021A**	58UVB100-20	46,000	12.0	14.0	45,500	3.70	8.5	28,000	2.58
3810722	25HCC548A**30	CAP**6021A**	58VLR120-20	46,500	12.0	14.5	46,000	3.74	8.5	27,600	2.62
3810721	25HCC548A**30	CAP**6021A**	58VMR120-20	46,500	12.0	14.5	46,500	3.70	8.5	27,800	2.60
4804066	25HCC548A**30	CAP**6021A**	59*N*A100V21**20	46,500	11.8	14.2	46,500	3.66	8.2	27,600	2.56
4804067	25HCC548A**30	CAP**6021A**	59*P5A100E21**16	46,500	11.8	14.2	46,500	3.66	8.2	28,000	2.56
3675317	25HCC548A**30	CAP**6021A**+TDR		46,500	11.5	13.5	46,500	3.74	8.3	28,800	2.58
3675320	25HCC548A**30	CAP**6024A**	58CV(A,X)135-22	46,000	12.0	14.5	45,000	3.76	8.5	27,600	2.64
3675321	25HCC548A**30	CAP**6024A**	58CV(A,X)155-22	46,500	12.5	15.0	45,000	3.80	8.5	27,400	2.66
4194768	25HCC548A**30	CAP**6024A**	58HDV080-20	47,000	12.0	14.0	47,000	3.74	8.5	28,200	2.60
4194769	25HCC548A**30	CAP**6024A**	58HDV100-20	47,000	12.0	14.0	46,500	3.74	8.5	28,000	2.60
3675323	25HCC548A**30	CAP**6024A**	58ME(B,C)120-20	46,500	12.0	14.5	45,500	3.82	8.5	27,600	2.66
3675319	25HCC548A**30	CAP**6024A**	58MV(B,C)120-20	46,000	12.0	14.5	45,500	3.72	8.5	27,800	2.60
3675322	25HCC548A**30	CAP**6024A**	58PH*135-20	46,500	12.0	14.5	45,500	3.76	8.5	27,800	2.62
3675328	25HCC548A**30	CAP**6024A**	58UVB120-20	46,000	12.0	14.5	45,500	3.72	8.5	27,800	2.60
4804068	25HCC548A**30	CAP**6024A**	59*N*A100V21**20	46,500	11.8	14.2	46,000	3.66	8.2	27,600	2.56
4804069	25HCC548A**30	CAP**6024A**	59*N*A120V24**22	46,500	12.0	14.5	46,000	3.68	8.2	27,400	2.60
4804070	25HCC548A**30	CAP**6024A**	59*P5A100E21**16	46,500	11.8	14.2	46,500	3.68	8.2	28,000	2.56
4804071	25HCC548A**30	CAP**6024A**	59*P5A120E24**22	47,000	12.0	14.5	46,500	3.74	8.5	27,800	2.62
4194777	25HCC548A**30	CAP**6024A**	OVLAAB060154	47,500	12.0	14.0	47,500	3.82	8.5	28,600	2.62
3675329	25HCC548A**30	CAP**6024A**+TDR		46,500	11.5	13.5	46,500	3.74	8.3	28,800	2.58
4194771	25HCC548A**30	CAP**6025A**	58HDV080-20	47,000	12.0	14.0	47,000	3.74	8.5	28,200	2.60
3675331	25HCC548A**30	CAP**6025A**	58HDV100-20	46,500	12.0	14.0	45,500	3.74	8.5	28,000	2.60
4804076	25HCC548A**30	CAP**6025A**	59*N*A100V21**20	46,500	11.8	14.2	46,000	3.66	8.2	27,600	2.56
4804077	25HCC548A**30	CAP**6025A**	59*N*A120V24**22	46,500	12.0	14.5	46,000	3.68	8.2	27,400	2.60
4804078	25HCC548A**30	CAP**6025A**	59*P5A100E21**16	46,500	11.8	14.2	46,500	3.68	8.2	28,000	2.56
4804079	25HCC548A**30	CAP**6025A**	59*P5A120E24**22	47,000	12.0	14.5	46,500	3.74	8.5	27,800	2.62
4194778	25HCC548A**30	CAP**6025A**	OVLAAB060154	47,500	12.0	14.0	47,500	3.82	8.5	28,600	2.62
3675333	25HCC548A**30	CAP**6025A**+TDR		46,500	11.5	13.5	46,500	3.74	8.3	28,800	2.58
3675575	25HCC548A**30	CNPH*4821A**	58CV(A,X)090-16	45,000	12.0	14.0	45,000	3.66	8.3	27,600	2.56
3675576	25HCC548A**30	CNPH*4821A**	58CV(A,X)110-20	45,500	12.0	14.0	45,000	3.68	8.3	27,400	2.58
3675577	25HCC548A**30	CNPH*4821A**	58CV(A,X)135-22	45,500	12.0	14.5	45,000	3.72	8.3	27,400	2.60
3675578	25HCC548A**30	CNPH*4821A**	58CV(A,X)155-22	45,500	12.0	14.5	45,000	3.74	8.3	27,200	2.62
3675585	25HCC548A**30	CNPH*4821A**	58HDV080-20	45,500	11.5	13.5	46,000	3.70	8.3	28,200	2.56
3675586	25HCC548A**30	CNPH*4821A**	58HDV100-20	46,000	12.0	14.0	46,000	3.68	8.3	27,800	2.58
3675582	25HCC548A**30	CNPH*4821A**	58ME(B,C)080-16	45,500	11.5	14.0	45,500	3.68	8.3	28,000	2.56
3675583	25HCC548A**30	CNPH*4821A**	58ME(B,C)100-20	45,500	12.0	14.5	45,000	3.74	8.3	27,600	2.60
3675584	25HCC548A**30	CNPH*4821A**	58ME(B,C)120-20	46,000	12.0	14.5	45,000	3.76	8.5	27,600	2.62
3675572	25HCC548A**30	CNPH*4821A**	58MV(B,C)080-20	45,000	11.5	14.0	45,000	3.62	8.3	27,600	2.54
3675573	25HCC548A**30	CNPH*4821A**	58MV(B,C)100-20	45,500	11.5	13.5	45,500	3.66	8.3	27,800	2.56
3675574	25HCC548A**30	CNPH*4821A**	58MV(B,C)120-20	45,500	12.0	14.0	45,000	3.68	8.3	27,600	2.58
3675579	25HCC548A**30	CNPH*4821A**	58PH*090-16	45,500	12.0	14.0	45,500	3.72	8.3	27,800	2.58
3675580	25HCC548A**30	CNPH*4821A**	58PH*110-20	45,500	12.0	14.5	45,000	3.74	8.3	27,400	2.62
3675581	25HCC548A**30	CNPH*4821A**	58PH*135-20	45,500	12.0	14.0	45,000	3.72	8.5	27,600	2.60
3810726	25HCC548A**30	CNPH*4821A**	58VLR120-20	46,000	12.0	14.5	46,000	3.70	8.5	27,400	2.58
3810725	25HCC548A**30	CNPH*4821A**	58VMR120-20	45,500	12.0	14.0	46,000	3.66	8.4	27,600	2.56

See notes on pg. 36

COMBINATION RATINGS CONTINUED

AHRI Ref. No.	Model Number	Coil Model Number	Furnace Model Number	Cooling Capacity	EER	SEER	High Temp		HSPF	Low Temp	
							E Capacity	E COP		H Capacity	H COP
4804095	25HCC548A**30	CNPH*4821A**	59*N*A100V21**20	45,500	11.8	14.2	46,000	3.62	8.2	27,600	2.54
4804096	25HCC548A**30	CNPH*4821A**	59*N*A120V24**22	45,500	12.0	14.5	45,500	3.64	8.2	27,200	2.56
4804097	25HCC548A**30	CNPH*4821A**	59*P5A080E17**16	45,500	11.4	13.7	46,500	3.58	8.2	28,000	2.50
4804098	25HCC548A**30	CNPH*4821A**	59*P5A100E21**16	46,000	11.5	14.0	46,500	3.64	8.2	27,800	2.54
4804099	25HCC548A**30	CNPH*4821A**	59*P5A120E24**22	46,000	11.8	14.2	46,500	3.70	8.2	27,600	2.58
4194783	25HCC548A**30	CNPH*4821A**	OVLAAB060154	47,000	11.5	14.0	47,500	3.76	8.5	28,400	2.58
3675596	25HCC548A**30	CNPH*4821A**+TDR		45,500	11.5	13.5	46,500	3.68	8.3	28,600	2.54
3675600	25HCC548A**30	CNPH*6024A**	58CV(A,X)090-16	46,000	12.0	14.5	45,000	3.72	8.5	27,600	2.60
3675601	25HCC548A**30	CNPH*6024A**	58CV(A,X)110-20	46,000	12.0	14.5	45,000	3.74	8.5	27,600	2.62
3675602	25HCC548A**30	CNPH*6024A**	58CV(A,X)135-22	46,000	12.5	14.5	45,000	3.76	8.5	27,400	2.64
3675603	25HCC548A**30	CNPH*6024A**	58CV(A,X)155-22	46,500	12.5	15.0	45,000	3.80	8.5	27,400	2.66
3675610	25HCC548A**30	CNPH*6024A**	58HDV080-20	47,000	12.0	14.0	46,500	3.74	8.4	28,200	2.60
3675611	25HCC548A**30	CNPH*6024A**	58HDV100-20	46,500	12.0	14.0	45,500	3.74	8.4	28,000	2.60
3675607	25HCC548A**30	CNPH*6024A**	58ME(B,C)080-16	46,500	12.0	14.0	46,000	3.72	8.5	28,000	2.60
3675608	25HCC548A**30	CNPH*6024A**	58ME(B,C)100-20	46,500	12.0	14.5	45,500	3.78	8.5	27,600	2.64
3675609	25HCC548A**30	CNPH*6024A**	58ME(B,C)120-20	46,500	12.0	14.5	45,500	3.82	8.5	27,600	2.66
3675597	25HCC548A**30	CNPH*6024A**	58MV(B,C)080-20	45,500	12.0	14.0	45,000	3.68	8.3	27,600	2.58
3675598	25HCC548A**30	CNPH*6024A**	58MV(B,C)100-20	46,000	12.0	14.0	45,500	3.70	8.5	28,000	2.58
3675599	25HCC548A**30	CNPH*6024A**	58MV(B,C)120-20	46,000	12.0	14.5	45,500	3.72	8.5	27,600	2.60
3675604	25HCC548A**30	CNPH*6024A**	58PH*090-16	46,500	12.0	14.5	45,500	3.76	8.5	27,800	2.62
3675605	25HCC548A**30	CNPH*6024A**	58PH*110-20	46,500	12.5	15.0	45,000	3.80	8.5	27,600	2.64
3675606	25HCC548A**30	CNPH*6024A**	58PH*135-20	46,500	12.0	14.5	45,500	3.78	8.5	27,800	2.64
4804100	25HCC548A**30	CNPH*6024A**	59*N*A100V21**20	46,500	11.8	14.2	46,000	3.66	8.2	27,600	2.58
4804101	25HCC548A**30	CNPH*6024A**	59*N*A120V24**22	46,500	12.0	14.5	46,000	3.68	8.2	27,400	2.60
4804102	25HCC548A**30	CNPH*6024A**	59*P5A080E17**16	46,500	11.5	14.0	46,500	3.64	8.2	28,200	2.54
4804103	25HCC548A**30	CNPH*6024A**	59*P5A100E21**16	46,500	11.8	14.2	46,500	3.68	8.2	28,000	2.56
4804104	25HCC548A**30	CNPH*6024A**	59*P5A120E24**22	47,000	12.0	14.5	46,500	3.74	8.5	27,800	2.62
4194784	25HCC548A**30	CNPH*6024A**	OVLAAB060154	47,500	12.0	14.0	47,500	3.80	8.5	28,600	2.62
3675625	25HCC548A**30	CNPH*6024A**+TDR		46,500	11.5	13.5	46,500	3.72	8.3	28,600	2.56
3675630	25HCC548A**30	CNPH*6124A**	58CV(A,X)090-16	46,000	12.0	14.5	45,500	3.74	8.5	27,800	2.60
3675631	25HCC548A**30	CNPH*6124A**	58CV(A,X)110-20	46,500	12.0	14.5	45,500	3.76	8.5	27,800	2.62
3675632	25HCC548A**30	CNPH*6124A**	58CV(A,X)135-22	46,500	12.5	14.5	45,500	3.80	8.5	27,600	2.64
3675633	25HCC548A**30	CNPH*6124A**	58CV(A,X)155-22	46,500	12.5	15.0	45,500	3.82	8.7	27,600	2.66
3675640	25HCC548A**30	CNPH*6124A**	58HDV080-20	47,000	12.0	14.0	46,500	3.78	8.5	28,400	2.60
3675641	25HCC548A**30	CNPH*6124A**	58HDV100-20	47,000	12.2	14.5	46,500	3.76	8.5	28,000	2.60
3675637	25HCC548A**30	CNPH*6124A**	58ME(B,C)080-16	46,500	12.0	14.0	46,000	3.76	8.5	28,200	2.60
3675638	25HCC548A**30	CNPH*6124A**	58ME(B,C)100-20	46,500	12.0	14.5	45,500	3.82	8.7	27,800	2.64
3675639	25HCC548A**30	CNPH*6124A**	58ME(B,C)120-20	47,000	12.5	15.0	45,500	3.84	8.7	27,800	2.66
3675627	25HCC548A**30	CNPH*6124A**	58MV(B,C)080-20	46,000	12.0	14.0	45,500	3.70	8.3	27,800	2.58
3675628	25HCC548A**30	CNPH*6124A**	58MV(B,C)100-20	46,500	12.0	14.0	46,000	3.74	8.5	28,000	2.60
3675629	25HCC548A**30	CNPH*6124A**	58MV(B,C)120-20	46,500	12.0	14.5	45,500	3.76	8.5	27,800	2.62
3675634	25HCC548A**30	CNPH*6124A**	58PH*090-16	46,500	12.0	14.5	46,000	3.80	8.5	27,800	2.62
3675635	25HCC548A**30	CNPH*6124A**	58PH*110-20	46,500	12.5	14.5	45,500	3.82	8.7	27,600	2.66
3675636	25HCC548A**30	CNPH*6124A**	58PH*135-20	46,500	12.0	14.5	45,500	3.80	8.5	27,800	2.64
3810728	25HCC548A**30	CNPH*6124A**	58VLR120-20	47,000	12.0	14.5	46,500	3.78	8.5	27,600	2.62
3810727	25HCC548A**30	CNPH*6124A**	58VMR120-20	47,000	12.0	14.5	46,500	3.74	8.5	27,800	2.60
4804105	25HCC548A**30	CNPH*6124A**	59*N*A100V21**20	46,500	11.8	14.2	46,500	3.70	8.2	27,800	2.58
4804106	25HCC548A**30	CNPH*6124A**	59*N*A120V24**22	46,500	12.0	14.5	46,000	3.72	8.2	27,400	2.60
4804107	25HCC548A**30	CNPH*6124A**	59*P5A100E21**16	46,500	11.8	14.2	47,000	3.70	8.2	28,000	2.58
4804108	25HCC548A**30	CNPH*6124A**	59*P5A120E24**22	47,000	12.0	14.5	46,500	3.78	8.5	27,800	2.62
4194785	25HCC548A**30	CNPH*6124A**	OVLAAB060154	48,000	12.0	14.0	48,000	3.86	8.5	28,800	2.62
3675655	25HCC548A**30	CNPH*6124A**+TDR		47,000	11.5	14.0	47,000	3.76	8.5	28,800	2.58
3675853	25HCC548A**30	CNPH*4821A**	58CV(A,X)110-20	45,500	12.0	14.0	45,000	3.68	8.3	27,400	2.58
4194772	25HCC548A**30	CNPV*4821A**	58HDV080-20	46,000	11.5	14.0	47,000	3.70	8.5	28,200	2.56
3675856	25HCC548A**30	CNPV*4821A**	58ME(B,C)100-20	45,500	12.0	14.5	45,000	3.74	8.3	27,600	2.60
3675851	25HCC548A**30	CNPV*4821A**	58MV(B,C)080-20	45,000	11.5	14.0	45,000	3.62	8.3	27,600	2.54
3675852	25HCC548A**30	CNPV*4821A**	58MV(B,C)100-20	45,500	11.5	13.5	45,500	3.66	8.3	27,800	2.56
3675854	25HCC548A**30	CNPV*4821A**	58PH*090-16	45,500	12.0	14.0	45,500	3.72	8.3	27,800	2.58
3675855	25HCC548A**30	CNPV*4821A**	58PH*110-20	45,500	12.0	14.5	45,000	3.74	8.3	27,400	2.62
3675861	25HCC548A**30	CNPV*4821A**	58UVB080-20	45,000	11.5	14.0	45,000	3.62	8.3	27,600	2.54
3675862	25HCC548A**30	CNPV*4821A**	58UVB100-20	45,500	11.5	13.5	45,500	3.66	8.3	27,800	2.56
3810724	25HCC548A**30	CNPV*4821A**	58VLR120-20	46,000	12.0	14.5	46,000	3.70	8.5	27,400	2.58
3810723	25HCC548A**30	CNPV*4821A**	58VMR120-20	46,000	12.0	14.0	46,000	3.66	8.4	27,600	2.56
4804080	25HCC548A**30	CNPV*4821A**	59*N*A100V21**20	45,500	11.8	14.2	46,000	3.62	8.2	27,600	2.54
4804081	25HCC548A**30	CNPV*4821A**	59*P5A080E17**16	45,500	11.4	13.7	46,500	3.58	8.2	28,000	2.50
4804082	25HCC548A**30	CNPV*4821A**	59*P5A100E21**16	46,000	11.5	14.0	46,500	3.64	8.2	27,800	2.54
3675864	25HCC548A**30	CNPV*4821A**+TDR		45,500	11.5	13.5	46,500	3.68	8.3	28,600	2.54
3675872	25HCC548A**30	CNPV*4824A**	58CV(A,X)135-22	45,500	12.0	14.5	45,000	3.72	8.3	27,400	2.60
3675873	25HCC548A**30	CNPV*4824A**	58CV(A,X)155-22	45,500	12.0	14.5	45,000	3.74	8.3	27,200	2.62
4194773	25HCC548A**30	CNPV*4824A**	58HDV080-20	46,000	11.5	14.0	47,000	3.70	8.5	28,200	2.56
4194669	25HCC548A**30	CNPV*4824A**	58HDV100-20	46,000	12.0	14.0	46,000	3.68	8.3	27,800	2.58
3676317	25HCC548A**30	CNPV*4824A**	58HDV100-20 (DNFLW ONLY)	46,000	12.0	14.0	46,000	3.68	8.3	27,800	2.58
3675875	25HCC548A**30	CNPV*4824A**	58ME(B,C)120-20	46,000	12.0	14.5	45,000	3.76	8.5	27,600	2.62
3675871	25HCC548A**30	CNPV*4824A**	58MV(B,C)120-20	45,500	12.0	14.0	45,000	3.68	8.3	27,600	2.58
3675874	25HCC548A**30	CNPV*4824A**	58PH*135-20	45,500	12.0	14.0	45,000	3.72	8.5	27,600	2.60
3675877	25HCC548A**30	CNPV*4824A**	58UVB120-20	45,500	12.0	14.0	45,000	3.68	8.3	27,600	2.58
4804083	25HCC548A**30	CNPV*4824A**	59*N*A100V21**20	45,500	11.8	14.2	46,000	3.62	8.2	27,600	2.54
4804084	25HCC548A**30	CNPV*4824A**	59*N*A120V24**22	45,500	12.0	14.5	45,500	3.64	8.2	27,200	2.56

25HCC5

See notes on pg. 36

COMBINATION RATINGS CONTINUED

AHRI Ref. No.	Model Number	Coil Model Number	Furnace Model Number	Cooling Capacity	EER	SEER	High Temp		HSPF	Low Temp	
							E Capacity	E COP		H Capacity	H COP
4804085	25HCC548A**30	CNPV*4824A**	59*P5A100E21**16	46,000	11.5	14.0	46,500	3.64	8.2	27,800	2.54
4804086	25HCC548A**30	CNPV*4824A**	59*P5A120E24**22	46,000	11.8	14.2	46,500	3.70	8.2	27,600	2.58
4194779	25HCC548A**30	CNPV*4824A**	OVLAAB060154	47,000	11.5	14.0	47,500	3.76	8.5	28,400	2.58
3675879	25HCC548A**30	CNPV*4824A**+TDR		45,500	11.5	13.5	46,500	3.68	8.3	28,600	2.54
3675882	25HCC548A**30	CNPV*6024A**	58CV(A,X)135-22	46,000	12.5	14.5	45,000	3.76	8.5	27,400	2.64
3675883	25HCC548A**30	CNPV*6024A**	58CV(A,X)155-22	46,500	12.5	15.0	45,000	3.80	8.5	27,400	2.66
4194774	25HCC548A**30	CNPV*6024A**	58HDV080--20	47,000	12.0	14.0	47,000	3.74	8.5	28,200	2.60
4149670	25HCC548A**30	CNPV*6024A**	58HDV100--20	46,500	12.0	14.0	45,500	3.74	8.4	28,000	2.60
3676318	25HCC548A**30	CNPV*6024A**	58HDV100--20 (DNFLW ONLY)	46,500	12.0	14.0	45,500	3.74	8.4	28,000	2.60
3675885	25HCC548A**30	CNPV*6024A**	58ME(B,C)120-20	46,500	12.0	14.5	45,500	3.82	8.5	27,600	2.66
3675881	25HCC548A**30	CNPV*6024A**	58MV(B,C)120-20	46,000	12.0	14.5	45,500	3.72	8.5	27,600	2.60
3675884	25HCC548A**30	CNPV*6024A**	58PH*135-20	46,500	12.0	14.5	45,500	3.78	8.5	27,800	2.64
3675891	25HCC548A**30	CNPV*6024A**	58UVB120-20	46,000	12.0	14.5	45,500	3.72	8.5	27,600	2.60
4804087	25HCC548A**30	CNPV*6024A**	59*N*A100V21**20	46,500	11.8	14.2	46,000	3.66	8.2	27,600	2.58
4804088	25HCC548A**30	CNPV*6024A**	59*N*A120V24**22	46,500	12.0	14.5	46,000	3.68	8.2	27,400	2.60
4804089	25HCC548A**30	CNPV*6024A**	59*P5A100E21**16	46,500	11.8	14.2	46,500	3.68	8.2	28,000	2.56
4804090	25HCC548A**30	CNPV*6024A**	59*P5A120E24**22	47,000	12.0	14.5	46,500	3.74	8.5	27,800	2.62
4194780	25HCC548A**30	CNPV*6024A**	OVLAAB060154	47,500	12.0	14.0	47,500	3.80	8.5	28,600	2.62
3675892	25HCC548A**30	CNPV*6024A**+TDR		46,500	11.5	13.5	46,500	3.72	8.3	28,600	2.56
3675900	25HCC548A**30	CNPV*6124A**	58CV(A,X)110-20	47,000	12.5	15.0	46,000	3.82	8.6	27,600	2.64
3675895	25HCC548A**30	CNPV*6124A**	58CV(A,X)135-22	47,000	12.5	15.0	45,500	3.86	8.7	27,600	2.68
3675896	25HCC548A**30	CNPV*6124A**	58CV(A,X)155-22	47,000	12.5	15.0	45,500	3.88	8.7	27,600	2.70
4194775	25HCC548A**30	CNPV*6124A**	58HDV080--20	47,500	12.0	14.5	47,500	3.82	8.5	28,400	2.62
4149674	25HCC548A**30	CNPV*6124A**	58HDV100--20	47,500	12.2	14.5	46,500	3.82	8.5	28,000	2.64
3676320	25HCC548A**30	CNPV*6124A**	58HDV100--20 (DNFLW ONLY)	47,500	12.2	14.5	46,500	3.82	8.5	28,000	2.64
3675898	25HCC548A**30	CNPV*6124A**	58ME(B,C)120-20	47,000	12.5	15.0	45,500	3.90	8.7	27,800	2.68
3675899	25HCC548A**30	CNPV*6124A**	58MV(B,C)100-20	46,500	12.0	14.5	46,000	3.78	8.5	28,000	2.62
3675894	25HCC548A**30	CNPV*6124A**	58MV(B,C)120-20	46,500	12.5	15.0	45,500	3.82	8.7	27,800	2.64
3675897	25HCC548A**30	CNPV*6124A**	58PH*135-20	47,000	12.5	15.0	45,500	3.86	8.7	27,800	2.66
3675907	25HCC548A**30	CNPV*6124A**	58UVB100-20	46,500	12.0	14.5	46,000	3.78	8.5	28,000	2.62
3675906	25HCC548A**30	CNPV*6124A**	58UVB120-20	46,500	12.5	15.0	45,500	3.82	8.7	27,800	2.64
4804091	25HCC548A**30	CNPV*6124A**	59*N*A100V21**20	47,000	12.0	14.5	46,500	3.74	8.5	27,800	2.60
4804092	25HCC548A**30	CNPV*6124A**	59*N*A120V24**22	47,000	12.5	15.0	46,000	3.78	8.5	27,400	2.64
4804093	25HCC548A**30	CNPV*6124A**	59*P5A100E21**16	47,000	12.0	14.5	47,000	3.76	8.5	28,200	2.60
4804094	25HCC548A**30	CNPV*6124A**	59*P5A120E24**22	47,500	12.0	14.5	47,000	3.84	8.5	28,000	2.64
4194781	25HCC548A**30	CNPV*6124A**	OVLAAB048112	47,000	12.0	14.0	47,500	3.74	8.5	28,400	2.58
4194782	25HCC548A**30	CNPV*6124A**	OVLAAB060154	48,000	12.0	14.5	47,500	3.90	8.5	28,600	2.66
3675909	25HCC548A**30	CNPV*6124A**+TDR		47,000	11.5	14.0	47,000	3.80	8.5	28,800	2.60
3676135	25HCC548A**30	CSPH*4812A**	58CV(A,X)090-16	45,500	12.0	14.0	45,500	3.68	8.3	27,600	2.58
3676136	25HCC548A**30	CSPH*4812A**	58CV(A,X)110-20	45,500	12.0	14.0	45,500	3.70	8.3	27,600	2.58
3676137	25HCC548A**30	CSPH*4812A**	58CV(A,X)135-22	46,000	12.0	14.5	45,000	3.74	8.3	27,600	2.60
3676138	25HCC548A**30	CSPH*4812A**	58CV(A,X)155-22	46,000	12.0	14.5	45,000	3.76	8.3	27,400	2.62
3676145	25HCC548A**30	CSPH*4812A**	58HDV080--20	45,500	11.5	13.5	46,000	3.70	8.3	28,200	2.56
3676146	25HCC548A**30	CSPH*4812A**	58HDV100--20	46,000	12.0	14.0	46,000	3.70	8.3	28,000	2.58
3676142	25HCC548A**30	CSPH*4812A**	58ME(B,C)080-16	46,000	11.5	14.0	46,000	3.70	8.5	28,000	2.58
3676143	25HCC548A**30	CSPH*4812A**	58ME(B,C)100-20	46,000	12.0	14.5	45,500	3.74	8.3	27,600	2.60
3676144	25HCC548A**30	CSPH*4812A**	58ME(B,C)120-20	46,000	12.0	14.5	45,500	3.78	8.5	27,600	2.62
3676132	25HCC548A**30	CSPH*4812A**	58MV(B,C)080-20	45,500	11.5	14.0	45,500	3.64	8.3	27,800	2.54
3676133	25HCC548A**30	CSPH*4812A**	58MV(B,C)100-20	45,500	11.5	13.5	45,500	3.68	8.3	28,000	2.56
3676134	25HCC548A**30	CSPH*4812A**	58MV(B,C)120-20	45,500	12.0	14.0	45,500	3.70	8.3	27,800	2.58
3676139	25HCC548A**30	CSPH*4812A**	58PH*090-16	46,000	12.0	14.0	45,500	3.72	8.3	27,800	2.60
3676140	25HCC548A**30	CSPH*4812A**	58PH*110-20	46,000	12.0	14.5	45,000	3.74	8.3	27,400	2.60
3676141	25HCC548A**30	CSPH*4812A**	58PH*135-20	45,500	12.0	14.0	45,500	3.72	8.5	27,600	2.60
3810730	25HCC548A**30	CSPH*4812A**	58VLR120-20	46,000	12.0	14.0	46,000	3.72	8.5	27,600	2.58
3810729	25HCC548A**30	CSPH*4812A**	58VMR120-20	46,000	12.0	14.0	46,500	3.68	8.5	27,800	2.56
4804109	25HCC548A**30	CSPH*4812A**	59*N*A100V21**20	46,000	11.5	14.0	46,500	3.64	8.2	27,800	2.54
4804110	25HCC548A**30	CSPH*4812A**	59*N*A120V24**22	46,000	12.0	14.5	46,000	3.66	8.2	27,400	2.56
4804111	25HCC548A**30	CSPH*4812A**	59*P5A100E21**16	46,000	11.5	14.0	46,500	3.64	8.2	28,000	2.54
4804112	25HCC548A**30	CSPH*4812A**	59*P5A120E24**22	46,500	11.8	14.2	46,500	3.70	8.2	27,800	2.58
4194786	25HCC548A**30	CSPH*4812A**	OVLAAB060154	47,000	11.5	14.0	47,500	3.78	8.5	28,600	2.58
3676156	25HCC548A**30	CSPH*4812A**+TDR		45,500	11.5	13.5	46,500	3.72	8.3	28,600	2.56
3676160	25HCC548A**30	CSPH*6012A**	58CV(A,X)090-16	46,500	12.0	14.5	45,500	3.74	8.5	27,600	2.62
3676161	25HCC548A**30	CSPH*6012A**	58CV(A,X)110-20	46,500	12.0	14.5	45,500	3.76	8.5	27,600	2.62
3676162	25HCC548A**30	CSPH*6012A**	58CV(A,X)135-22	46,500	12.5	14.5	45,000	3.80	8.5	27,600	2.64
3676163	25HCC548A**30	CSPH*6012A**	58CV(A,X)155-22	46,500	12.5	15.0	45,000	3.82	8.5	27,400	2.66
3676170	25HCC548A**30	CSPH*6012A**	58HDV080--20	46,500	12.0	14.0	46,500	3.78	8.5	28,400	2.60
3676171	25HCC548A**30	CSPH*6012A**	58HDV100--20	46,000	12.0	14.5	45,500	3.78	8.5	28,000	2.62
3676167	25HCC548A**30	CSPH*6012A**	58ME(B,C)080-16	46,500	12.0	14.0	46,000	3.78	8.5	28,200	2.60
3676168	25HCC548A**30	CSPH*6012A**	58ME(B,C)100-20	47,000	12.0	14.5	45,500	3.82	8.5	27,800	2.66
3676169	25HCC548A**30	CSPH*6012A**	58ME(B,C)120-20	47,000	12.5	15.0	45,500	3.86	8.5	27,800	2.66
3676157	25HCC548A**30	CSPH*6012A**	58MV(B,C)080-20	46,000	12.0	14.5	45,500	3.70	8.3	27,600	2.58
3676158	25HCC548A**30	CSPH*6012A**	58MV(B,C)100-20	46,500	12.0	14.0	45,500	3.74	8.5	28,000	2.60
3676159	25HCC548A**30	CSPH*6012A**	58MV(B,C)120-20	46,500	12.0	14.5	45,500	3.76	8.5	27,800	2.62
3676164	25HCC548A**30	CSPH*6012A**	58PH*090-16	46,500	12.0	14.5	45,500	3.80	8.5	27,800	2.64
3676165	25HCC548A**30	CSPH*6012A**	58PH*110-20	46,500	12.5	15.0	45,500	3.84	8.5	27,600	2.66
3676166	25HCC548A**30	CSPH*6012A**	58PH*135-20	46,500	12.0	14.5	45,500	3.82	8.5	27,800	2.64
3810732	25HCC548A**30	CSPH*6012A**	58VLR120-20	47,000	12.5	14.5	46,000	3.78	8.5	27,600	2.64

See notes on pg. 36

COMBINATION RATINGS CONTINUED

AHRI Ref. No.	Model Number	Coil Model Number	Furnace Model Number	Cooling Capacity	EER	SEER	High Temp		HSPF	Low Temp	
							E Capacity	E COP		H Capacity	H COP
3810731	25HCC548A**30	CSPH*6012A**	58VMR120-20	47,000	12.0	14.5	46,500	3.74	8.5	27,800	2.62
4804113	25HCC548A**30	CSPH*6012A**	59*N*A100V21**20	46,500	12.0	14.5	46,500	3.70	8.2	27,600	2.58
4804114	25HCC548A**30	CSPH*6012A**	59*N*A120V24**22	46,500	12.0	14.5	46,000	3.72	8.2	27,400	2.60
4804115	25HCC548A**30	CSPH*6012A**	59*P5A080E17**12	46,500	11.5	14.0	47,000	3.66	8.2	28,200	2.56
4804116	25HCC548A**30	CSPH*6012A**	59*P5A100E21**16	47,000	11.8	14.2	46,500	3.72	8.2	28,000	2.58
4804117	25HCC548A**30	CSPH*6012A**	59*P5A120E24**22	47,500	12.0	14.5	46,500	3.80	8.5	27,800	2.62
4194787	25HCC548A**30	CSPH*6012A**	OVLAAB048112	47,000	11.5	14.0	47,000	3.70	8.5	28,400	2.56
4194788	25HCC548A**30	CSPH*6012A**	OVLAAB060154	48,000	12.0	14.5	47,500	3.86	8.5	28,600	2.64
3676187	25HCC548A**30	CSPH*6012A**+TDR		46,500	11.5	13.5	46,500	3.76	8.3	28,800	2.58
3810716	25HCC548A**30	FB4CNF048		46,500	11.5	13.0	46,500	3.68	8.5	28,000	2.56
3693238	25HCC548A**30	FB4CNF048+TXV		46,000	11.5	14.0	46,000	3.70	8.3	28,000	2.56
3810717	25HCC548A**30	FB4CNF060		47,000	12.0	14.5	46,000	3.80	8.5	28,200	2.62
3676196	25HCC548A**30	FE4AN(B,F)005+UI		46,500	12.5	15.0	45,000	3.78	8.5	27,400	2.64
3676199	25HCC548A**30	FE4ANB006+UI		47,000	12.5	15.5	45,500	3.90	9.0	27,400	2.70
3676243	25HCC548A**30	FV4CN(B,F)005		46,500	12.5	15.0	45,000	3.78	8.5	27,400	2.64
3676246	25HCC548A**30	FV4CNB006		47,000	12.5	15.5	45,500	3.90	9.0	27,400	2.70
3676273	25HCC548A**30	FX4DN(B,F)061		48,000	12.5	15.0	46,000	3.96	9.0	28,000	2.70
3676291	25HCC548A**30	FY5BNB060		47,500	11.5	13.5	48,000	3.72	8.4	29,000	2.56
3810718	25HCC548A**30	FY5BNF048		47,500	11.5	13.0	47,000	3.76	8.5	28,200	2.60
3693251	25HCC548A**30	FY5BNF048+TXV		46,500	12.0	14.0	46,000	3.76	8.5	28,400	2.60
3676274	25HCC560A**30	FX4DN(B,F)061		57,000	12.5	15.0	57,000	3.84	8.5	35,400	2.68
3675312	25HCC560A**30	CAP**6021A**	58CV(A,X)110-20	55,500	11.5	13.5	56,500	3.66	8.1	36,000	2.58
3675314	25HCC560A**30	CAP**6021A**	58ME(B,C)100-20	55,500	12.0	14.0	56,500	3.66	8.1	35,400	2.60
3675313	25HCC560A**30	CAP**6021A**	58PH*110-20	55,500	12.0	14.0	56,500	3.70	8.2	35,600	2.62
3675318	25HCC560A**30	CAP**6021A**+TDR		55,500	11.5	13.5	56,500	3.68	8.1	36,200	2.58
3675324	25HCC560A**30	CAP**6024A**	58CV(A,X)135-22	55,500	12.0	14.0	56,500	3.70	8.2	35,600	2.62
3675325	25HCC560A**30	CAP**6024A**	58CV(A,X)155-22	56,000	12.0	14.5	56,500	3.74	8.2	35,600	2.64
3675327	25HCC560A**30	CAP**6024A**	58ME(B,C)120-20	55,500	12.0	14.0	56,500	3.70	8.2	35,400	2.62
3675326	25HCC560A**30	CAP**6024A**	58PH*135-20	55,500	12.0	14.0	56,500	3.68	8.1	35,600	2.60
4804118	25HCC560A**30	CAP**6024A**	59*N*A120V24**22	56,500	11.8	14.2	57,500	3.66	8.2	35,600	2.58
4804119	25HCC560A**30	CAP**6024A**	59*P5A120E24**22	56,500	11.8	14.2	57,500	3.64	8.2	35,600	2.58
3675330	25HCC560A**30	CAP**6024A**+TDR		55,500	11.5	13.5	56,500	3.68	8.1	36,200	2.58
3675332	25HCC560A**30	CAP**6025A**	58HDV100--20	55,500	11.5	13.5	58,000	3.64	8.1	36,400	2.56
4804120	25HCC560A**30	CAP**6025A**	59*N*A120V24**22	56,500	11.8	14.2	57,500	3.66	8.2	35,600	2.58
4804121	25HCC560A**30	CAP**6025A**	59*P5A120E24**22	56,500	11.8	14.2	57,500	3.64	8.2	35,600	2.58
3675334	25HCC560A**30	CAP**6025A**+TDR		55,500	11.5	13.5	56,500	3.68	8.1	36,200	2.58
3675612	25HCC560A**30	CNPH*6024A**	58CV(A,X)110-20	55,500	11.5	14.0	56,500	3.66	8.1	35,800	2.58
3675613	25HCC560A**30	CNPH*6024A**	58CV(A,X)135-22	55,500	12.0	14.0	56,500	3.70	8.2	35,600	2.62
3675614	25HCC560A**30	CNPH*6024A**	58CV(A,X)155-22	56,000	12.0	14.5	56,500	3.74	8.2	35,400	2.64
3675620	25HCC560A**30	CNPH*6024A**	58HDV080--20	56,000	11.5	13.0	58,000	3.62	8.0	36,800	2.54
3675621	25HCC560A**30	CNPH*6024A**	58HDV100--20	55,500	11.5	13.5	58,000	3.62	8.1	36,400	2.56
3675617	25HCC560A**30	CNPH*6024A**	58ME(B,C)080-16	55,000	11.5	13.5	56,500	3.60	8.0	35,600	2.56
3675618	25HCC560A**30	CNPH*6024A**	58ME(B,C)100-20	55,500	12.0	14.0	56,500	3.68	8.1	35,400	2.60
3675619	25HCC560A**30	CNPH*6024A**	58ME(B,C)120-20	55,500	12.0	14.5	56,500	3.70	8.2	35,400	2.62
3675615	25HCC560A**30	CNPH*6024A**	58PH*110-20	55,500	12.0	14.0	56,500	3.70	8.2	35,600	2.62
3675616	25HCC560A**30	CNPH*6024A**	58PH*135-20	55,500	12.0	14.0	56,500	3.68	8.1	35,600	2.60
3810734	25HCC560A**30	CNPH*6024A**	58VLR120-20	56,500	12.0	14.0	57,500	3.66	8.2	36,000	2.58
4804126	25HCC560A**30	CNPH*6024A**	59*N*A120V24**22	56,500	11.8	14.2	57,000	3.64	8.2	35,600	2.58
4804127	25HCC560A**30	CNPH*6024A**	59*P5A120E24**22	56,500	11.8	14.2	57,000	3.64	8.2	35,600	2.58
3675626	25HCC560A**30	CNPH*6024A**+TDR		55,500	11.5	13.5	56,500	3.66	8.1	36,200	2.58
3675643	25HCC560A**30	CNPH*6124A**	58CV(A,X)110-20	56,000	11.5	14.0	56,500	3.70	8.2	36,000	2.60
3675644	25HCC560A**30	CNPH*6124A**	58CV(A,X)125-22	56,000	12.0	14.0	56,500	3.74	8.2	35,800	2.62
3675645	25HCC560A**30	CNPH*6124A**	58CV(A,X)155-22	56,000	12.0	14.5	56,500	3.78	8.3	35,600	2.64
3675650	25HCC560A**30	CNPH*6124A**	58HDV080--20	57,000	11.5	13.5	59,000	3.66	8.1	37,000	2.54
3675651	25HCC560A**30	CNPH*6124A**	58HDV100--20	57,000	11.5	13.5	58,500	3.68	8.1	36,600	2.56
3675648	25HCC560A**30	CNPH*6124A**	58ME(B,C)100-20	55,500	12.0	14.0	56,500	3.72	8.2	35,600	2.62
3675649	25HCC560A**30	CNPH*6124A**	58ME(B,C)120-20	56,000	12.0	14.5	56,500	3.74	8.2	35,400	2.64
3675646	25HCC560A**30	CNPH*6124A**	58PH*110-20	56,000	12.0	14.0	56,500	3.74	8.2	35,600	2.62
3675647	25HCC560A**30	CNPH*6124A**	58PH*135-20	55,500	12.0	14.0	56,500	3.70	8.2	35,600	2.60
4804128	25HCC560A**30	CNPH*6124A**	59*N*A120V24**22	56,500	11.8	14.2	57,500	3.68	8.2	35,800	2.58
4804129	25HCC560A**30	CNPH*6124A**	59*P5A120E24**22	56,500	11.8	14.2	57,500	3.68	8.2	35,800	2.58
3675642	25HCC560A**30	CNPH*6124A**		56,000	11.5	14.0	56,500	3.72	8.2	36,200	2.60
3675656	25HCC560A**30	CNPH*6124A**+TDR		56,000	11.5	13.5	56,500	3.72	8.2	36,200	2.60
3675886	25HCC560A**30	CNPV*6024A**	58CV(A,X)135-22	55,500	12.0	14.0	56,500	3.70	8.2	35,600	2.62
3675887	25HCC560A**30	CNPV*6024A**	58CV(A,X)155-22	56,000	12.0	14.5	56,500	3.74	8.2	35,400	2.64
4149671	25HCC560A**30	CNPV*6024A**	58HDV100--20	55,500	11.5	13.5	58,000	3.62	8.1	36,400	2.56
3676319	25HCC560A**30	CNPV*6024A**	58HDV100--20 (DNFLW ONLY)	55,500	11.5	13.5	58,000	3.62	8.1	36,400	2.56
3675889	25HCC560A**30	CNPV*6024A**	58ME(B,C)120-20	55,500	12.0	14.5	56,500	3.70	8.2	35,400	2.62
3675888	25HCC560A**30	CNPV*6024A**	58PH*135-20	55,500	12.0	14.0	56,500	3.68	8.1	35,600	2.60
4804122	25HCC560A**30	CNPV*6024A**	59*N*A120V24**22	56,500	11.8	14.2	57,000	3.64	8.2	35,600	2.58
4804123	25HCC560A**30	CNPV*6024A**	59*P5A120E24**22	56,500	11.8	14.2	57,000	3.64	8.2	35,600	2.58
3675893	25HCC560A**30	CNPV*6024A**+TDR		55,500	11.5	13.5	56,500	3.66	8.1	36,200	2.58
3675902	25HCC560A**30	CNPV*6124A**	58CV(A,X)135-22	56,500	12.0	14.5	56,500	3.80	8.3	35,600	2.66
3675903	25HCC560A**30	CNPV*6124A**	58CV(A,X)155-22	56,500	12.0	14.5	56,500	3.84	8.4	35,600	2.68
4149675	25HCC560A**30	CNPV*6124A**	58HDV100--20	57,500	11.5	13.5	58,500	3.72	8.2	36,600	2.60
3676321	25HCC560A**30	CNPV*6124A**	58HDV100--20 (DNFLW ONLY)	57,500	11.5	13.5	58,500	3.72	8.2	36,600	2.60

25HCC5

See notes on pg. 36

COMBINATION RATINGS CONTINUED

AHRI Ref. No.	Model Number	Coil Model Number	Furnace Model Number	Cooling Capacity	EER	SEER	High Temp		HSPF	Low Temp	
							E Capacity	E COP		H Capacity	H COP
3675905	25HCC560A**30	CNPV*6124A**	58ME(B,C)120-20	56,500	12.0	14.5	56,500	3.80	8.3	35,600	2.66
3675901	25HCC560A**30	CNPV*6124A**	58MV(B,C)120-20	56,000	11.8	14.0	56,500	3.72	8.2	36,000	2.60
3675904	25HCC560A**30	CNPV*6124A**	58PH*135-20	56,500	12.0	14.0	56,500	3.78	8.3	35,800	2.64
3675908	25HCC560A**30	CNPV*6124A**	58UVB120-20	56,000	11.8	14.0	56,500	3.72	8.2	36,000	2.60
4804124	25HCC560A**30	CNPV*6124A**	59*N*A120V24**22	57,000	12.0	14.5	57,500	3.74	8.2	35,800	2.62
4804125	25HCC560A**30	CNPV*6124A**	59*P5A120E24**22	57,000	12.0	14.5	57,500	3.74	8.2	35,800	2.62
3675910	25HCC560A**30	CNPV*6124A**+TDR		56,500	11.5	14.0	56,500	3.74	8.3	36,200	2.62
3676173	25HCC560A**30	CSPH*6012A**	58CV(A,X)110-20	56,000	11.5	14.0	56,500	3.72	8.1	35,800	2.62
3676174	25HCC560A**30	CSPH*6012A**	58CV(A,X)135-22	56,000	12.0	14.5	56,500	3.76	8.2	35,600	2.64
3676175	25HCC560A**30	CSPH*6012A**	58CV(A,X)155-22	56,000	12.0	14.5	56,500	3.78	8.3	35,600	2.66
3676181	25HCC560A**30	CSPH*6012A**	58HDV080--20	56,000	11.5	13.0	58,000	3.66	8.0	37,000	2.56
3676182	25HCC560A**30	CSPH*6012A**	58HDV100--20	55,500	11.5	13.5	58,000	3.68	8.1	36,600	2.58
3676178	25HCC560A**30	CSPH*6012A**	58ME(B,C)080-16	55,500	11.5	14.0	56,500	3.64	8.0	35,800	2.58
3676179	25HCC560A**30	CSPH*6012A**	58ME(B,C)100-20	56,000	12.0	14.0	56,500	3.72	8.2	35,600	2.62
3676180	25HCC560A**30	CSPH*6012A**	58ME(B,C)120-20	56,000	12.0	14.5	56,500	3.76	8.2	35,400	2.64
3676172	25HCC560A**30	CSPH*6012A**	58MV(B,C)120-20	55,500	11.5	14.0	56,500	3.68	8.1	36,000	2.58
3676176	25HCC560A**30	CSPH*6012A**	58PH*110-20	56,000	12.0	14.5	56,500	3.76	8.2	35,600	2.64
3676177	25HCC560A**30	CSPH*6012A**	58PH*135-20	56,000	12.0	14.0	56,500	3.74	8.2	35,600	2.62
3810735	25HCC560A**30	CSPH*6012A**	58VLR120-20	57,000	12.0	14.0	58,000	3.72	8.4	36,000	2.60
4804130	25HCC560A**30	CSPH*6012A**	59*N*A120V24**22	56,500	11.8	14.2	57,500	3.70	8.2	35,600	2.60
4804131	25HCC560A**30	CSPH*6012A**	59*P5A120E24**22	57,000	11.8	14.2	57,500	3.70	8.2	35,600	2.60
3676188	25HCC560A**30	CSPH*6012A**+TDR		55,500	11.5	13.5	56,500	3.70	8.1	36,200	2.60
3810733	25HCC560A**30	FB4CNF060		55,500	11.5	14.0	56,000	3.66	8.1	35,800	2.58
3676200	25HCC560A**30	FE4ANB006+UI		56,500	12.5	15.0	56,000	3.84	8.5	35,600	2.68
3676247	25HCC560A**30	FV4CNB006		56,500	12.5	15.0	56,000	3.84	8.5	35,600	2.68
3676292	25HCC560A**30	FY5BNB060		56,000	11.5	13.5	57,000	3.66	8.1	36,400	2.56

† – Tested Combination

Ratings are net values reflecting the effects of circulating fan heat. Supplemental electric heat is not included. Ratings are based on:

Cooling Standard: 80°F (27°C) db 67°F (19°C) wb indoor entering air temperature and 95°F (35°C) db air entering outdoor unit.

High-Temp Heating Standard: 70°F (21°C) db indoor entering air temperature and 47°F (8°C) db 43°F (6°C) wb air entering outdoor unit.

Low-Temp Heating Standard: 70°F (21°C) db indoor entering air temperature and 17°F (-8°C) db 15°F (-9°C) wb air entering outdoor unit.

COP — Coefficient of Performance

EER — Energy Efficiency Ratio

HSPF — Heating Seasonal Performance Factor

SEER — Seasonal Energy Efficiency Ratio

TDR — Time-Delay Relay

UI — User Interface

25HCC5

DETAILED COOLING CAPACITIES#

EVAPORATOR AIR		CONDENSER ENTERING AIR TEMPERATURES °F (°C)															
		75 (23.9)			85 (29.4)			95 (95)			105 (46.1)			125 (51.7)			
		CFM	EWB °F (°C)	Capacity MBtu/h Total	Total Sys-tem KW**	Capacity MBtu/h Total	Total Sys-tem KW**	Capacity MBtu/h Total	Total Sys-tem KW**	Capacity MBtu/h Total	Total Sys-tem KW**	Capacity MBtu/h Total	Total Sys-tem KW**				
525	72 (22.2)	21.38	11.10	20.34	1.10	1.25	10.28	1.42	18.10	9.85	1.60	16.88	9.40	1.80	15.59	8.93	2.03
	67 (19.4)	19.37	13.52	18.43	1.10	1.25	12.70	1.41	16.38	12.26	1.59	15.26	11.81	1.79	14.08	11.33	2.02
	63 (17.2)†	17.92	13.00	17.05	1.10	1.25	12.18	1.41	15.14	11.74	1.59	14.10	11.28	1.79	12.99	10.80	2.01
	62 (16.7)	17.54	15.88	16.69	1.10	1.25	15.04	1.41	14.85	14.58	1.59	13.91	13.91	1.78	13.03	13.03	2.01
	57 (13.9)	16.80	16.80	16.15	1.11	1.25	15.45	1.43	14.70	14.70	1.59	13.89	13.89	1.78	13.01	13.01	2.01
600	72 (22.2)	21.87	11.69	20.79	1.11	1.26	10.85	1.43	18.44	10.41	1.61	17.17	9.95	1.81	15.83	9.47	2.04
	67 (19.4)	19.84	14.44	18.85	1.11	1.26	13.60	1.42	16.70	13.15	1.60	15.54	12.69	1.80	14.31	12.20	2.03
	63 (17.2)†	18.37	13.86	17.45	1.11	1.26	13.02	1.42	15.45	12.57	1.60	14.37	12.10	1.80	13.22	11.61	2.02
	62 (16.7)	18.01	17.11	17.13	1.11	1.26	16.21	1.42	15.36	15.36	1.60	14.49	14.49	1.80	13.56	13.56	2.02
	57 (13.9)	17.61	17.61	16.90	1.11	1.26	16.15	1.42	15.34	15.34	1.60	14.47	14.47	1.80	13.54	13.54	2.02
675	72 (22.2)	22.28	12.24	21.13	1.12	1.27	11.39	1.44	18.70	10.94	1.62	17.39	10.48	1.82	16.02	10.00	2.05
	67 (19.4)	20.21	15.33	19.17	1.12	1.27	14.08	1.43	16.95	14.01	1.61	15.75	13.53	1.81	14.49	13.03	2.04
	63 (17.2)†	18.73	14.69	17.76	1.12	1.27	13.83	1.43	15.70	13.37	1.61	14.58	12.89	1.81	13.40	12.38	2.03
	62 (16.7)	18.42	18.24	17.56	1.12	1.27	16.76	1.43	15.90	15.90	1.61	14.98	14.98	1.81	14.00	14.00	2.04
	57 (13.9)	18.29	18.29	17.54	1.12	1.27	16.74	1.43	15.88	15.88	1.61	14.96	14.96	1.81	13.98	13.98	2.04

COOLING INDOOR MODEL	CAPACITY	POWER	FURNACE MODEL	COOLING INDOOR MODEL		CAPACITY	POWER	FURNACE MODEL
				MODEL	MODEL			
*F44DNF019	1.00	1.00		CNPH*2417A**	CNPH*2417A**	0.98	1.03	59*N*A080V17**14
FB4CNF018	0.99	1.00		CSPH*2412A**	58HDV040-12	0.99	1.04	59*N*A060V17**14
FB4CNF024	0.98	0.99		CNPH*2417A**	58HDV040-12	0.99	1.04	59*N*A060V17**14
FE4ANF002	0.99	1.00		CSPH*2412A**	58HDV060-12	0.99	1.04	59*N*A060V17**14
FF1ENP018	0.97	1.09		CAP**2417A**	58HDV060-12	0.99	1.04	59*N*A060V17**14
FF1ENP019	0.98	1.03		CNPH*2417A**	58ME(B,C)060-12	0.98	1.03	59*N*A060V17**14
FF1ENP024	0.98	1.10		CNPV*1917A**	58ME(B,C)060-12	0.98	1.03	59*N*A080V17**14
FF1ENP025	1.00	1.01		CNPV*2417A**	58ME(B,C)060-12	0.99	1.04	59*N*A080V17**14
FV4BNF002	0.99	0.96		CSPH*2412A**	58ME(B,C)060-12	0.98	1.03	59*N*A080V17**14
FV4CNF002	0.99	0.96		CAP**2417A**	58ME(B,C)060-12	0.98	1.03	59*N*A080V17**14
FV4CNF018	0.98	1.02		CNPH*2417A**	58MEB040-12	0.99	1.04	59*N*A080V17**14
FV4CNF024	0.99	1.00		CNPV*1917A**	58MEB040-12	0.99	1.04	59*N*A080V17**14
FV4DNF025	1.01	1.01		CNPV*2417A**	58MEB040-12	1.00	1.01	59*N*A080V17**14
FV4ANF018	0.97	1.09		CSPH*2412A**	58MEB040-12	1.00	1.01	59*N*A080V17**14
FV4ANF024	0.97	1.11		CAP**2417A**	58MEB040-12	0.98	1.03	59*N*A080V17**14
FV5BNF018	0.98	1.07		CNPH*2417A**	58MV(B,C)060-14	0.99	1.04	59*N*A080V17**14
FV5BNF024	0.98	1.07		CNPV*1917A**	58MV(B,C)060-14	0.99	1.04	59*N*A080V17**14
CAP**1814A**	0.97	1.11		CNPV*2417A**	58MV(B,C)060-14	0.99	1.04	59*N*A080V17**14
CAP**2414A**	0.98	1.10		CSPH*2412A**	58MV(B,C)060-14	0.98	1.03	59*N*A080V17**14
CAP**2417A**	0.98	1.10		CNPH*2417A**	58MV(B,C)060-14	0.97	1.03	59*N*A080V17**14
CNPF*2418A**	0.98	1.10		CSPH*2412A**	58MV(B,C)060-14	0.98	1.03	59*N*A080V17**14
CNPH*2417A**	0.98	1.10		CNPH*2417A**	58MV(B,C)060-14	0.98	1.03	59*N*A080V17**14
CNPV*1814A**	0.97	1.09		CSPH*2412A**	58MV(B040-14	0.98	1.03	59*N*A080V17**14
CNPV*1917A**	0.99	1.11		CAP**1814A**	58MV(B040-14	0.98	1.03	59*N*A080V17**14
CNPV*2414A**	0.98	1.10		CAP**2414A**	58PH*045-08	0.99	1.04	59*N*A080V17**14
CSPH*2412A**	0.98	1.10		CNPH*2417A**	58PH*045-08	0.99	1.04	59*N*A080V17**14
CAP**1814A**	0.97	1.01		CNPV*1814A**	58PH*045-08	0.98	1.03	59*N*A080V17**14
CAP**2414A**	0.98	1.10		CNPV*2414A**	58PH*045-08	0.99	1.04	59*N*A080V17**14
CNPF*(A,X)070-12	0.97	0.98		CAP**1814A**	58PH*045-08	0.98	1.03	59*N*A080V17**14
CNPF*(A,X)070-12	0.97	0.98		CAP**2414A**	58PH*045-08	0.99	1.04	59*N*A080V17**14
CNPF*(A,X)070-12	0.97	0.98		CAP**1814A**	59*P5A040E14**10	0.98	1.03	59*N*A080V17**14
CNPF*(A,X)070-12	0.97	0.98		CAP**2414A**	59*P5A040E14**10	0.99	1.04	59*N*A080V17**14
CNPF*(A,X)090-16	0.98	0.99		CNPH*2417A**	59*P5A040E14**10	0.98	1.03	59*N*A080V17**14
CNPF*(A,X)090-16	0.98	0.99		CNPV*1814A**	59*P5A040E14**10	0.97	1.03	59*N*A080V17**14
CNPF*(A,X)090-16	0.99	1.00		CNPH*1917A**	59*P5A040E14**10	0.98	1.03	59*N*A080V17**14
CNPF*(A,X)090-16	0.99	1.00		CNPF*1917A**	59*P5A040E14**10	0.98	1.03	59*N*A080V17**14
CNPF*(A,X)090-16	0.98	0.99		CNPF*2417A**	59*P5A040E14**10	0.98	1.03	59*N*A080V17**14
CSPH*2412A**	0.98	0.99		CSPH*2412A**	59*P5A040E14**10	0.98	1.03	59*N*A080V17**14

See note on pg. 50

DETAILED COOLING CAPACITIES# CONTINUED

25HCC524A30 Outdoor Section With FX4DNF025 Indoor Section

COOLING INDOOR MODEL	CAPACITY	POWER	FURNACE MODEL
CSPH*3012A**	0.98	0.98	58MV(B.C)060-14
CNPH*2417A**	0.98	0.98	58MV(B.C)080-14
CNPH*3017A**	0.98	0.98	58MV(B.C)080-14
CSPH*2412A**	0.98	0.98	58MV(B.C)080-14
CSPH*3012A**	0.98	0.98	58MV(B.C)080-14
CNPH*2417A**	0.97	0.97	58MV(B.C)080-20
CNPH*3017A**	0.98	0.98	58MV(B.C)080-20
CSPH*2412A**	0.98	0.98	58MV(B.C)080-20
CSPH*3012A**	0.98	0.98	58MV(B.C)080-20
CNPH*2417A**	0.98	0.98	58MV(B.C)100-20
CNPH*3017A**	0.98	0.98	58MV(B.C)100-20
CSPH*2412A**	0.98	0.98	58MV(B.C)100-20
CSPH*3012A**	0.98	0.98	58MV(B.C)100-20
CNPH*2417A**	0.98	0.98	58MV(B.C)120-20
CNPH*3017A**	0.98	0.98	58MV(B.C)120-20
CSPH*2412A**	0.98	0.98	58MV(B.C)120-20
CSPH*3012A**	0.98	0.98	58MV(B.C)120-20
CAP**2414A**	0.98	1.00	58MV(B.C)040-14
CNPH*2417A**	0.98	0.98	58MV(B.C)040-14
CNPH*3017A**	0.98	0.98	58MV(B.C)040-14
CSPH*2412A**	0.98	0.98	58MV(B.C)040-14
CSPH*3012A**	0.98	0.98	58MV(B.C)040-14
CAP**3014A**	0.98	1.00	58PH*045-08
CNPH*2417A**	0.98	1.02	58PH*045-08
CNPH*3017A**	0.98	0.98	58PH*045-08
CNPH*2417A**	0.98	1.00	58PH*045-08
CNPH*3017A**	0.98	0.98	58PH*045-08
CSPH*2412A**	0.98	1.00	58PH*045-08
CSPH*3012A**	0.98	0.98	58PH*045-08
CAP**2417A**	0.98	1.00	59*N*A060V17**14
CNPH*2417A**	0.98	1.02	59*N*A060V17**14
CNPH*3017A**	0.99	1.00	59*N*A060V17**14
CNPH*2417A**	1.00	0.99	59*N*A060V17**14
CNPH*3017A**	0.98	1.02	59*N*A060V17**14
CNPH*2417A**	0.99	1.00	59*N*A060V17**14
CNPH*3017A**	0.99	1.00	59*N*A060V17**14
CSPH*2412A**	0.99	1.01	59*N*A060V17**14
CSPH*3012A**	0.99	1.00	59*N*A060V17**14
CAP**2417A**	0.98	0.98	59*N*A080V17**14
CAP**3017A**	0.98	0.98	59*N*A080V17**14
CNPH*2417A**	0.98	0.99	59*N*A080V17**14
CNPH*3017A**	0.98	0.99	59*N*A080V17**14
CNPH*2417A**	1.00	0.98	59*N*A080V17**14
CNPH*3017A**	0.98	0.99	59*N*A080V17**14
CNPH*2417A**	1.00	0.98	59*N*A080V17**14
CNPH*3017A**	0.98	0.99	59*N*A080V17**14
CSPH*2412A**	0.98	0.99	59*N*A080V17**14
CSPH*3012A**	0.98	0.99	59*N*A080V17**14
CNPH*2417A**	1.00	1.00	59*N*A100V21**20
CNPH*3017A**	1.00	1.00	59*N*A100V21**20
CNPH*2417A**	1.00	0.98	59*N*A100V21**20
CNPH*3017A**	1.00	1.00	59*N*A100V21**20
CNPH*2417A**	1.00	1.00	59*N*A120V24**22
CNPH*3017A**	1.00	0.98	59*N*A120V24**22
CNPH*2417A**	1.00	1.00	59*N*A120V24**22
CNPH*3017A**	0.98	1.08	59*P5A040E14**10
CAP**2417A**	0.99	1.09	59*P5A040E14**10
CAP**3017A**	0.99	1.08	59*P5A040E14**10

COOLING INDOOR MODEL	CAPACITY	POWER	FURNACE MODEL
CAP**3017A**	1.00	1.09	59*P5A040E14**10
CNPH*2417A**	0.98	1.08	59*P5A040E14**10
CNPH*3017A**	1.00	1.09	59*P5A040E14**10
CNPH*3117A**	1.00	1.06	59*P5A040E14**10
CNPH*2414A**	0.98	1.08	59*P5A040E14**10
CNPH*2417A**	0.98	1.08	59*P5A040E14**10
CNPH*3014A**	0.99	1.08	59*P5A040E14**10
CNPH*3017A**	1.00	1.09	59*P5A040E14**10
CNPH*3117A**	1.00	1.06	59*P5A040E14**10
CSPH*2412A**	0.99	1.08	59*P5A040E14**10
CSPH*3012A**	1.00	1.09	59*P5A040E14**10
CAP**2417A**	0.98	0.99	59*P5A060E17**14
CNPH*2417A**	0.98	0.99	59*P5A060E17**14
CNPH*3017A**	0.98	0.99	59*P5A060E17**14
CNPH*3117A**	1.00	0.98	59*P5A060E17**14
CNPH*2417A**	0.98	0.99	59*P5A060E17**14
CNPH*3017A**	0.99	0.99	59*P5A060E17**14
CNPH*3117A**	1.00	0.98	59*P5A060E17**14
CSPH*2412A**	0.98	0.99	59*P5A060E17**14
CSPH*3012A**	1.00	1.00	59*P5A060E17**14
CSPH*3012A**	1.00	1.00	59*P5A060E17**14

See note on pg. 50

DETAILED COOLING CAPACITIES# CONTINUED

EVAPORATOR AIR		CONDENSER ENTERING AIR TEMPERATURES ° F (° C)													
CFM	EWB ° F (° C)	75 (23.9)		85 (29.4)		95 (35)		105 (40.6)		115 (46.1)		125 (51.7)			
		Capacity MBtu/h Total	Sens†	Capacity MBtu/h Total	Sens†	Capacity MBtu/h Total	Sens†	Capacity MBtu/h Total	Sens†	Capacity MBtu/h Total	Sens†	Capacity MBtu/h Total	Sens†		
		Total Sys-tem KW**	Total Sys-tem KW**	Total Sys-tem KW**	Total Sys-tem KW**	Total Sys-tem KW**	Total Sys-tem KW**	Total Sys-tem KW**	Total Sys-tem KW**	Total Sys-tem KW**	Total Sys-tem KW**	Total Sys-tem KW**	Total Sys-tem KW**		
875	72 (22.2)	34.40	17.74	32.81	17.14	16.82	2.29	29.42	15.88	27.55	15.20	2.87	25.53	14.48	3.23
	67 (19.4)	31.23	21.80	29.80	21.20	20.57	2.28	26.69	19.93	24.96	19.24	2.86	23.10	18.49	3.22
	63 (17.2)†	28.95	20.97	27.62	20.37	19.74	2.27	24.73	19.09	23.11	18.39	2.86	21.35	17.64	3.22
	62 (16.7)	28.38	25.74	27.09	25.12	24.46	2.26	24.33	23.73	22.91	22.91	2.86	21.51	18.18	3.22
	57 (13.9)	27.40	27.40	26.39	26.39	25.32	2.26	24.15	24.15	22.88	22.88	2.86	21.48	21.48	3.22
1000	72 (22.2)	35.08	18.63	33.43	18.02	31.71	17.39	29.89	16.74	27.95	16.05	2.90	25.86	15.32	3.25
	67 (19.4)	31.88	23.23	30.37	22.61	28.80	21.98	27.13	21.31	25.35	20.60	2.89	23.43	19.84	3.24
	63 (17.2)†	29.57	22.30	28.18	21.68	26.71	21.05	25.16	20.38	23.49	19.66	2.88	21.67	18.88	3.24
	62 (16.7)	29.06	27.61	27.73	26.92	26.39	2.29	25.13	25.13	23.77	23.77	2.88	22.28	22.28	3.24
	57 (13.9)	28.58	28.58	27.49	27.49	26.34	2.29	25.10	25.10	23.74	23.74	2.88	22.26	22.26	3.24
1125	72 (22.2)	35.61	19.48	33.89	18.86	32.11	18.22	30.24	17.56	28.25	16.86	2.93	26.10	16.12	3.28
	67 (19.4)	32.37	24.59	30.81	23.96	29.18	21.33	27.47	22.63	25.64	21.90	2.91	23.68	21.10	3.27
	63 (17.2)†	30.05	23.56	28.60	22.94	27.09	22.29	25.49	21.60	23.78	20.86	2.91	21.93	20.05	3.27
	62 (16.7)	29.68	29.51	28.45	28.45	27.22	2.32	25.91	25.91	24.49	24.49	2.91	22.92	22.92	3.27
	57 (13.9)	29.56	29.56	28.41	28.41	27.19	2.32	25.88	25.88	24.46	24.46	2.91	22.89	22.89	3.27

25HCC50A30 Outdoor Section With FX4DNF031 Indoor Section

COOLING INDOOR MODEL	CAPACITY	POWER	FURNACE MODEL
CNPH*3117A**	1.00	1.02	58HDV040--12
CNPH*3617A**	0.96	1.06	58HDV040--12
CSPH*3012A**	0.98	1.06	58HDV040--12
CSPH*3612A**	0.98	1.02	58HDV040--12
CAP**3619A**	0.98	1.02	58HDV060--12
CAP**3619A**	0.98	1.02	58HDV060--12
CNPH*3017A**	0.99	1.03	58HDV060--12
CNPH*3117A**	1.01	1.03	58HDV060--12
CNPH*3617A**	0.99	1.03	58HDV060--12
CSPH*3012A**	0.99	1.03	58HDV060--12
CSPH*3612A**	0.99	1.03	58HDV060--12
CAP**3017A**	0.99	0.99	58ME(B,C)060-12
CAP**3617A**	0.99	0.99	58ME(B,C)060-12
CNPH*3017A**	0.99	0.99	58ME(B,C)060-12
CNPH*3617A**	0.99	0.99	58ME(B,C)060-12
CNPV*3017A**	1.01	1.01	58ME(B,C)060-12
CNPV*3117A**	1.01	1.01	58ME(B,C)060-12
CNPV*3617A**	0.99	1.01	58ME(B,C)060-12
CNPV*3717A**	1.01	1.01	58ME(B,C)060-12
CSPH*3012A**	0.99	0.99	58ME(B,C)060-12
CSPH*3612A**	0.99	0.99	58ME(B,C)060-12
CAP**3017A**	0.99	0.99	58ME(B,C)060-12
CAP**3617A**	0.99	0.99	58ME(B,C)060-12
CNPH*3017A**	0.99	0.99	58ME(B,C)060-12
CNPH*3617A**	0.99	0.99	58ME(B,C)060-12
CNPV*3017A**	1.01	1.01	58ME(B,C)060-12
CNPV*3117A**	1.01	1.01	58ME(B,C)060-12
CNPV*3617A**	0.99	1.01	58ME(B,C)060-12
CNPV*3717A**	1.03	1.03	58ME(B,C)060-12
CSPH*3012A**	0.99	0.99	58ME(B,C)060-12
CSPH*3612A**	0.99	0.99	58ME(B,C)060-12
CAP**3017A**	0.99	0.99	58ME(B,C)060-12
CAP**3617A**	0.99	0.99	58ME(B,C)060-12
CNPH*3017A**	0.99	0.99	58ME(B,C)060-12
CNPH*3617A**	0.99	0.99	58ME(B,C)060-12
CNPV*3017A**	1.01	1.01	58ME(B,C)060-12
CNPV*3117A**	1.01	1.01	58ME(B,C)060-12
CNPV*3617A**	0.99	1.01	58ME(B,C)060-12
CNPV*3717A**	1.03	1.03	58ME(B,C)060-12
CSPH*3012A**	0.99	0.99	58ME(B,C)060-12
CSPH*3612A**	0.99	0.99	58ME(B,C)060-12
CAP**3017A**	0.99	0.99	58ME(B,C)060-12
CAP**3617A**	0.99	0.99	58ME(B,C)060-12
CNPH*3017A**	0.99	0.99	58ME(B,C)060-12
CNPH*3617A**	0.99	0.99	58ME(B,C)060-12
CNPV*3017A**	1.01	1.01	58ME(B,C)060-12
CNPV*3117A**	1.01	1.01	58ME(B,C)060-12
CNPV*3617A**	0.99	1.01	58ME(B,C)060-12
CNPV*3717A**	1.03	1.03	58ME(B,C)060-12
CSPH*3012A**	0.99	0.99	58ME(B,C)060-12
CSPH*3612A**	0.99	0.99	58ME(B,C)060-12
CAP**3017A**	0.99	0.99	58ME(B,C)060-12
CAP**3617A**	0.99	0.99	58ME(B,C)060-12
CNPH*3017A**	0.99	0.99	58ME(B,C)060-12
CNPH*3617A**	0.99	0.99	58ME(B,C)060-12
CNPV*3017A**	1.01	1.01	58ME(B,C)060-12
CNPV*3117A**	1.01	1.01	58ME(B,C)060-12
CNPV*3617A**	0.99	1.01	58ME(B,C)060-12
CNPV*3717A**	1.03	1.03	58ME(B,C)060-12

COOLING INDOOR MODEL	CAPACITY	POWER	FURNACE MODEL
CNPV*3717A**	1.01	1.10	
CSPH*3012A**	0.98	1.09	
CSPH*3612A**	0.98	1.09	
CAP**3014A**	0.97	1.01	58CV(A,X)070-12
CAP**3614A**	0.98	1.02	58CV(A,X)070-12
CNPH*3017A**	0.98	1.02	58CV(A,X)070-12
CNPH*3617A**	0.98	1.02	58CV(A,X)070-12
CNPH*3014A**	0.97	1.01	58CV(A,X)070-12
CSPH*3012A**	0.98	1.02	58CV(A,X)070-12
CSPH*3612A**	0.98	1.02	58CV(A,X)070-12
CAP**3017A**	0.98	0.98	58CV(A,X)090-16
CAP**3617A**	0.98	0.98	58CV(A,X)090-16
CNPH*3017A**	0.98	0.98	58CV(A,X)090-16
CNPH*3617A**	0.98	0.98	58CV(A,X)090-16
CNPH*3017A**	0.98	0.98	58CV(A,X)090-16
CNPH*3617A**	0.98	0.98	58CV(A,X)090-16
CNPV*3017A**	1.00	1.00	58CV(A,X)090-16
CNPV*3117A**	0.98	0.98	58CV(A,X)090-16
CNPV*3617A**	1.01	1.01	58CV(A,X)090-16
CNPV*3717A**	0.98	0.98	58CV(A,X)090-16
CSPH*3012A**	0.98	0.98	58CV(A,X)090-16
CSPH*3612A**	0.98	0.98	58CV(A,X)090-16
CAP**3621A**	0.98	0.98	58CV(A,X)110-20
CNPH*3017A**	0.98	0.98	58CV(A,X)110-20
CNPH*3617A**	0.98	0.98	58CV(A,X)110-20
CNPH*3021A**	0.98	0.98	58CV(A,X)110-20
CSPH*3012A**	0.98	0.98	58CV(A,X)110-20
CSPH*3612A**	0.98	0.98	58CV(A,X)110-20
CNPV*3017A**	0.98	0.98	58CV(A,X)135-22
CNPV*3117A**	0.98	0.98	58CV(A,X)135-22
CNPV*3617A**	0.98	0.98	58CV(A,X)135-22
CNPV*3717A**	0.98	0.98	58CV(A,X)135-22
CSPH*3012A**	0.98	0.98	58CV(A,X)135-22
CSPH*3612A**	0.98	0.98	58CV(A,X)135-22
CAP**3017A**	0.98	0.98	58CV(A,X)155-22
CAP**3617A**	0.98	0.98	58CV(A,X)155-22
CNPH*3017A**	0.98	0.98	58CV(A,X)155-22
CNPH*3617A**	0.98	0.98	58CV(A,X)155-22
CNPV*3017A**	0.98	1.02	58HDV040--12
CNPV*3117A**	0.98	1.02	58HDV040--12
CNPV*3617A**	0.98	1.02	58HDV040--12
CNPV*3717A**	0.98	1.06	58HDV040--12

COOLING INDOOR MODEL	CAPACITY	POWER	FURNACE MODEL
*FX4DN(B,F)031	1.00	1.00	
FB4CNF030	0.99	1.03	
FB4CNF036	0.99	1.03	
FE4AN(B,F)003	0.99	0.99	
FE4AN(B,F)005	1.01	0.98	
FE4ANF002	0.99	0.99	
FF1ENP030	0.96	1.08	
FF1ENP031	0.99	1.10	
FF1ENP036	0.99	1.03	
FF1ENP037	0.99	1.03	
FV4BN(B,F)003	0.99	0.99	
FV4BN(B,F)005	1.01	0.98	
FV4BNF002	0.99	0.99	
FV4CN(B,F)003	0.99	0.99	
FV4CN(B,F)005	1.01	0.98	
FV4CNF002	0.99	0.99	
FV4CN(B,F)036	0.99	1.03	
FX4CNF030	0.99	1.03	
FX4DN(B,F)037	1.02	1.02	
FY4ANF030	0.97	1.08	
FY4ANF036	0.98	1.09	
FY5BNF030	0.99	1.03	
FY5BNF036	0.99	1.07	
CAP**3014A**	0.98	1.09	
CAP**3017A**	0.98	1.09	
CAP**3614A**	0.98	1.09	
CAP**3617A**	0.98	1.09	
CAP**3619A**	0.98	1.09	
CAP**3621A**	0.98	1.09	
CNPV*3618A**	0.98	1.09	
CNPH*3017A**	0.98	1.09	
CNPH*3617A**	0.98	1.09	
CNPV*3014A**	0.98	1.09	
CNPV*3017A**	0.98	1.09	
CNPV*3117A**	1.01	1.09	
CNPV*3617A**	0.98	1.09	
CNPV*3717A**	1.01	1.09	

DETAILED COOLING CAPACITIES# CONTINUED

EVAPORATOR AIR		CONDENSER ENTERING AIR TEMPERATURES ° F (° C)																	
CFM	EWB ° F (° C)	75 (23.9)			85 (29.4)			95 (35)			105 (40.6)			115 (46.1)			125 (51.7)		
		Capacity MBtu/h	Total Syste- tem KW**	Capacity MBtu/h	Total Syste- tem KW**	Capacity MBtu/h	Total Syste- tem KW**	Capacity MBtu/h	Total Syste- tem KW**	Capacity MBtu/h	Total Syste- tem KW**	Capacity MBtu/h	Total Syste- tem KW**	Capacity MBtu/h	Total Syste- tem KW**				
1050	72 (22.2)	41.59	22.07	2.25	39.75	21.35	2.51	37.77	20.58	2.79	35.67	19.78	3.11	33.40	18.93	3.48	30.96	18.02	3.90
	67 (19.4)	37.90	27.12	2.23	36.20	26.38	2.48	34.37	25.60	2.77	32.42	24.78	3.09	30.32	23.91	3.45	28.05	22.97	3.88
	63 (17.2)†	35.22	26.13	2.22	33.62	25.39	2.47	31.90	24.60	2.75	30.07	23.77	3.07	28.09	22.88	3.44	25.96	21.93	3.87
	57 (16.7)	34.53	32.04	2.21	32.97	31.27	2.47	31.31	30.44	2.75	29.55	29.53	3.07	27.74	27.74	3.44	26.04	26.04	3.87
	52 (15.9)	33.22	33.22	2.21	32.01	32.01	2.46	30.68	30.68	2.74	29.25	29.25	3.06	27.70	27.70	3.44	26.00	26.00	3.86
1200	72 (22.2)	42.40	23.16	2.28	40.49	22.43	2.54	38.44	21.66	2.83	36.24	20.84	3.15	33.91	19.98	3.51	31.38	19.05	3.93
	67 (19.4)	38.68	28.89	2.26	36.90	28.13	2.52	35.00	27.34	2.80	32.97	26.50	3.12	30.79	25.60	3.49	28.46	24.65	3.91
	63 (17.2)†	35.97	27.78	2.25	34.30	27.02	2.50	32.52	26.22	2.78	30.61	25.37	3.10	28.56	24.46	3.47	26.36	23.49	3.90
	62 (16.7)	35.34	34.38	2.24	33.74	33.54	2.50	32.07	31.86	2.78	30.45	30.45	3.10	28.80	28.80	3.47	26.99	26.99	3.90
	57 (15.9)	34.65	34.65	2.24	33.35	33.35	2.50	31.93	31.93	2.78	30.41	30.41	3.10	28.76	28.76	3.47	26.96	26.96	3.90
1350	72 (22.2)	43.03	24.20	2.31	41.06	23.46	2.58	38.93	22.88	2.86	36.68	21.85	3.18	34.27	20.98	3.55	31.68	20.04	3.96
	67 (19.4)	39.27	30.57	2.29	37.43	29.81	2.55	35.47	29.00	2.83	33.38	28.14	3.15	31.16	27.22	3.52	28.76	26.23	3.94
	63 (17.2)†	36.55	29.35	2.28	34.82	28.58	2.53	32.98	27.76	2.81	31.02	26.89	3.13	28.92	25.95	3.50	26.67	24.94	3.93
	62 (16.7)	36.05	36.44	2.28	34.51	34.51	2.53	33.01	33.01	2.81	31.41	31.41	3.14	29.67	29.67	3.51	27.77	27.77	3.93
	57 (15.9)	35.84	35.84	2.28	34.46	34.46	2.53	32.97	32.97	2.81	31.37	31.37	3.14	29.63	29.63	3.51	27.74	27.74	3.93

25HCC536A30 Outdoor Section With FX4DNF037 Indoor Section

COOLING INDOOR MODEL	CAPACITY	POWER	CAPACITY	FURNACE MODEL
CAP**3619A**	0.95	1.08	0.95	58HDV040--12
CNPH*3617A**	0.95	1.08	0.95	58HDV040--12
CNPH*4221A**	0.97	1.06	0.97	58HDV040--12
CNPH*4321A**	0.98	1.07	0.98	58HDV040--12
CSPH*3612A**	0.95	1.08	0.95	58HDV040--12
CSPH*4212A**	0.97	1.06	0.97	58HDV040--12
CAP**3619A**	0.96	1.04	0.96	58HDV060--12
CNPH*3617A**	0.96	1.04	0.96	58HDV060--12
CNPH*4221A**	0.97	1.06	0.97	58HDV060--12
CNPH*4321A**	0.98	1.07	0.98	58HDV060--12
CSPH*3612A**	0.96	1.06	0.96	58HDV060--12
CSPH*4212A**	0.97	1.06	0.97	58HDV060--12
CAP**4224A**	0.98	1.02	0.98	58HDV080--20
CNPH*3617A**	0.98	1.02	0.98	58HDV080--20
CNPH*4221A**	0.99	1.02	0.99	58HDV080--20
CNPH*4321A**	0.98	1.01	0.98	58HDV080--20
CSPH*3612A**	0.97	1.06	0.97	58HDV080--20
CSPH*4212A**	0.97	1.06	0.97	58HDV080--20
CAP**4224A**	0.98	1.02	0.98	58HDV100--20
CNPH*3617A**	0.97	1.01	0.97	58HDV100--20
CNPH*4221A**	0.98	1.01	0.98	58HDV100--20
CNPH*4321A**	0.98	1.01	0.98	58HDV100--20
CSPH*3612A**	0.98	1.01	0.98	58HDV100--20
CSPH*4212A**	0.97	1.01	0.97	58HDV100--20
CAP**3617A**	0.97	1.01	0.97	58ME(B,C)060-12
CNPH*4221A**	0.98	1.02	0.98	58ME(B,C)060-12
CNPH*3617A**	0.97	1.01	0.97	58ME(B,C)060-12
CNPH*4321A**	0.98	1.01	0.98	58ME(B,C)060-12
CSPH*3612A**	0.97	1.01	0.97	58ME(B,C)060-12
CSPH*4212A**	0.97	1.01	0.97	58ME(B,C)060-12
CAP**3617A**	0.97	1.01	0.97	58ME(B,C)060-12
CNPH*4221A**	0.98	1.02	0.98	58ME(B,C)060-12
CNPH*3617A**	0.97	1.01	0.97	58ME(B,C)060-12
CNPH*4321A**	0.98	1.01	0.98	58ME(B,C)060-12
CSPH*3612A**	0.97	1.01	0.97	58ME(B,C)060-12
CSPH*4212A**	0.97	1.01	0.97	58ME(B,C)060-12
CAP**3617A**	0.97	1.01	0.97	58ME(B,C)060-12
CNPH*4221A**	0.98	1.02	0.98	58ME(B,C)060-12
CNPH*3617A**	0.97	1.01	0.97	58ME(B,C)060-12
CNPH*4321A**	0.98	1.01	0.98	58ME(B,C)060-12
CSPH*3612A**	0.97	1.01	0.97	58ME(B,C)060-12
CSPH*4212A**	0.97	1.01	0.97	58ME(B,C)060-12
CAP**3617A**	0.97	1.01	0.97	58ME(B,C)060-12
CNPH*4221A**	0.98	1.02	0.98	58ME(B,C)060-12
CNPH*3617A**	0.97	1.01	0.97	58ME(B,C)060-12
CNPH*4321A**	0.98	1.01	0.98	58ME(B,C)060-12
CSPH*3612A**	0.97	1.01	0.97	58ME(B,C)060-12
CSPH*4212A**	0.97	1.01	0.97	58ME(B,C)060-12
CAP**3617A**	0.97	1.01	0.97	58ME(B,C)060-12
CNPH*4221A**	0.98	1.02	0.98	58ME(B,C)060-12
CNPH*3617A**	0.97	1.01	0.97	58ME(B,C)060-12
CNPH*4321A**	0.98	1.01	0.98	58ME(B,C)060-12
CSPH*3612A**	0.97	1.01	0.97	58ME(B,C)060-12
CSPH*4212A**	0.97	1.01	0.97	58ME(B,C)060-12
CAP**3617A**	0.97	1.01	0.97	58ME(B,C)060-12
CNPH*4221A**	0.98	1.02	0.98	58ME(B,C)060-12
CNPH*3617A**	0.97	1.01	0.97	58ME(B,C)060-12
CNPH*4321A**	0.98	1.01	0.98	58ME(B,C)060-12
CSPH*3612A**	0.97	1.01	0.97	58ME(B,C)060-12
CSPH*4212A**	0.97	1.01	0.97	58ME(B,C)060-12
CAP**3617A**	0.97	1.01	0.97	58ME(B,C)060-12
CNPH*4221A**	0.98	1.02	0.98	58ME(B,C)060-12
CNPH*3617A**	0.97	1.01	0.97	58ME(B,C)060-12
CNPH*4321A**	0.98	1.01	0.98	58ME(B,C)060-12
CSPH*3612A**	0.97	1.01	0.97	58ME(B,C)060-12
CSPH*4212A**	0.97	1.01	0.97	58ME(B,C)060-12
CAP**3617A**	0.97	1.01	0.97	58ME(B,C)060-12
CNPH*4221A**	0.98	1.02	0.98	58ME(B,C)060-12
CNPH*3617A**	0.97	1.01	0.97	58ME(B,C)060-12
CNPH*4321A**	0.98	1.01	0.98	58ME(B,C)060-12
CSPH*3612A**	0.97	1.01	0.97	58ME(B,C)060-12
CSPH*4212A**	0.97	1.01	0.97	58ME(B,C)060-12
CAP**3617A**	0.97	1.01	0.97	58ME(B,C)060-12
CNPH*4221A**	0.98	1.02	0.98	58ME(B,C)060-12
CNPH*3617A**	0.97	1.01	0.97	58ME(B,C)060-12
CNPH*4321A**	0.98	1.01	0.98	58ME(B,C)060-12
CSPH*3612A**	0.97	1.01	0.97	58ME(B,C)060-12
CSPH*4212A**	0.97	1.01	0.97	58ME(B,C)060-12
CAP**3617A**	0.97	1.01	0.97	58ME(B,C)060-12
CNPH*4221A**	0.98	1.02	0.98	58ME(B,C)060-12
CNPH*3617A**	0.97	1.01	0.97	58ME(B,C)060-12
CNPH*4321A**	0.98	1.01	0.98	58ME(B,C)060-12
CSPH*3612A**	0.97	1.01	0.97	58ME(B,C)060-12
CSPH*4212A**	0.97	1.01	0.97	58ME(B,C)060-12
CAP**3617A**	0.97	1.01	0.97	58ME(B,C)060-12
CNPH*4221A**	0.98	1.02	0.98	58ME(B,C)060-12
CNPH*3617A**	0.97	1.01	0.97	58ME(B,C)060-12
CNPH*4321A**	0.98	1.01	0.98	58ME(B,C)060-12
CSPH*3612A**	0.97	1.01	0.97	58ME(B,C)060-12
CSPH*4212A**	0.97	1.01	0.97	58ME(B,C)060-12
CAP**3617A**	0.97	1.01	0.97	58ME(B,C)060-12
CNPH*4221A**	0.98	1.02	0.98	58ME(B,C)060-12
CNPH*3617A**	0.97	1.01	0.97	58ME(B,C)060-12
CNPH*4321A**	0.98	1.01	0.98	58ME(B,C)060-12
CSPH*3612A**	0.97	1.01	0.97	58ME(B,C)060-12
CSPH*4212A**	0.97	1.01	0.97	58ME(B,C)060-12
CAP**3617A**	0.97	1.01	0.97	58ME(B,C)060-12
CNPH*4221A**	0.98	1.02	0.98	58ME(B,C)060-12
CNPH*3617A**	0.97	1.01	0.97	58ME(B,C)060-12
CNPH*4321A**	0.98	1.01	0.98	58ME(B,C)060-12
CSPH*3612A**	0.97	1.01	0.97	58ME(B,C)060-12
CSPH*4212A**	0.97	1.01	0.97	58ME(B,C)060-12
CAP**3617A**	0.97	1.01	0.97	58ME(B,C)060-12
CNPH*4221A**	0.98	1.02	0.98	58ME(B,C)060-12
CNPH*3617A**	0.97	1.01	0.97	58ME(B,C)060-12
CNPH*4321A**	0.98	1.01	0.98	58ME(B,C)060-12
CSPH*3612A**	0.97	1.01	0.97	58ME(B,C)060-12
CSPH*4212A**	0.97	1.01	0.97	58ME(B,C)060-12
CAP**3617A**	0.97	1.01	0.97	58ME(B,C)060-12
CNPH*4221A**	0.98	1.02	0.98	58ME(B,C)060-12
CNPH*3617A**	0.97	1.01	0.97	58ME(B,C)060-12
CNPH*4321A**	0.98	1.01	0.98	58ME(B,C)060-12
CSPH*3612A**	0.97	1.01	0.97	58ME(B,C)060-12
CSPH*4212A**	0.97	1.01	0.97	58ME(B,C)060-12
CAP**3617A**	0.97	1.01	0.97	58ME(B,C)060-12
CNPH*4221A**	0.98	1.02	0.98	58ME(B,C)060-12
CNPH*3617A**	0.97	1.01	0.97	58ME(B,C)060-12
CNPH*4321A**	0.98	1.01	0.98	58ME(B,C)060-12
CSPH*3612A**	0.97	1.01	0.97	58ME(B,C)060-12
CSPH*4212A**	0.97	1.01	0.97	58ME(B,C)060-12
CAP**3617A**	0.97	1.01	0.97	58ME(B,C)060-12
CNPH*4221A**	0.98	1.02	0.98	58ME(B,C)060-12
CNPH*3617A**	0.97	1.01	0.97	58ME(B,C)060-12
CNPH*4321A**	0.98	1.01	0.98	58ME(B,C)060-12
CSPH*3612A**	0.97	1.01	0.97	58ME(B,C)060-12
CSPH*4212A**	0.97	1.01	0.97	58ME(B,C)060-12
CAP**3617A**	0.97	1.01	0.97	58ME(B,C)060-12
CNPH*4221A**	0.98	1.02	0.98	58ME(B,C)060-12
CNPH*3617A**	0.97	1.01	0.97	58ME(B,C)060-12
CNPH*4321A**	0.98	1.01	0.98	58ME(B,C)060-12
CSPH*3612A**	0.97	1.01	0.97	58ME(B,C)060-12
CSPH*4212A**	0.97	1.01	0.97	58ME(B,C)060-12
CAP**3617A**	0.97	1.01	0.97	58ME(B,C)060-12
CNPH*4221A**	0.98	1.02	0.98	58ME(B,C)060-12
CNPH*3617A**	0.97	1.01	0.97	58ME(B,C)060-12

DETAILED COOLING CAPACITIES# CONTINUED

25HCC536A30 Outdoor Section With FX4DNF037 Indoor Section

COOLING INDOOR MODEL	CAPACITY	POWER	FURNACE MODEL
CNPV*3621A**	0.97	1.05	59*PSA080E17**14
CNPV*3717A**	1.01	1.04	59*PSA060E17**14
CNPV*4217A**	0.98	1.04	59*PSA060E17**14
CNPV*4221A**	0.98	1.03	59*PSA060E17**14
CSPH*3612A**	0.99	1.04	59*PSA060E17**14
CSPH*4212A**	0.99	1.05	59*PSA060E17**14
CAP**3617A**	0.97	1.02	59*PSA080E17**16
CAP**3619A**	0.97	1.02	59*PSA080E17**16
CAP**3621A**	0.97	1.02	59*PSA080E17**16
CAP**4221A**	0.98	1.01	59*PSA080E17**16
CNPH*3617A**	0.96	1.01	59*PSA080E17**16
CNPH*4221A**	0.97	1.02	59*PSA080E17**16
CNPH*4321A**	1.01	1.04	59*PSA080E17**16
CNPV*3617A**	0.96	1.01	59*PSA080E17**16
CNPV*3621A**	0.96	1.01	59*PSA080E17**16
CNPV*3717A**	1.00	1.04	59*PSA080E17**16
CNPV*4217A**	0.98	1.02	59*PSA080E17**16
CNPV*4221A**	0.97	1.02	59*PSA080E17**16
CSPH*3612A**	0.99	1.03	59*PSA080E17**16
CSPH*4212A**	0.99	1.03	59*PSA080E17**16

See note on pg. 50

DETAILED COOLING CAPACITIES# CONTINUED

EVAPORATOR AIR		CONDENSER ENTERING AIR TEMPERATURES ° F (° C)																		
		75 (23.9)			85 (29.4)			95 (35)			105 (40.6)			115 (46.1)			125 (51.7)			
		CFM	EWB ° F (° C)	Capacity MBtu/h		Total Sys-tem KW**	Capacity MBtu/h		Total Sys-tem KW**	Capacity MBtu/h		Total Sys-tem KW**	Capacity MBtu/h		Total Sys-tem KW**	Capacity MBtu/h		Total Sys-tem KW**		
Total	Sens†			Total	Sens†		Total	Sens†		Total	Sens†		Total	Sens†						
25HCC542A30 Outdoor Section With FX4DNF043 Indoor Section																				
1225		72 (22.2)	50.43	25.70	2.47	48.01	24.76	2.86	45.51	23.81	42.89	22.83	3.69	40.16	21.82	37.25	20.76	4.61	33.74	26.40
		67 (19.4)	45.65	31.32	2.59	43.47	30.39	3.01	41.22	29.44	38.86	28.47	3.73	36.38	27.46	33.74	26.40	4.62	31.23	25.22
		63 (17.2)†	42.23	30.12	2.67	40.23	29.20	3.02	38.16	28.26	35.97	27.30	3.74	33.68	26.29	31.09	25.22	4.61	31.09	25.22
		62 (16.7)	41.36	36.82	2.68	39.42	35.88	3.02	37.42	34.91	35.33	33.87	3.75	33.17	32.70	31.09	25.22	4.61	31.09	25.22
		57 (13.9)	39.50	39.50	2.72	38.01	38.01	3.04	36.44	36.44	34.77	34.77	3.75	32.98	32.98	31.09	25.22	4.61	31.09	25.22
1400		72 (22.2)	51.53	26.95	2.47	48.98	25.98	2.88	46.35	25.01	43.62	24.01	3.72	40.76	22.98	37.75	21.90	4.65	34.21	28.25
		67 (19.4)	46.66	33.31	2.60	44.38	32.35	2.98	42.00	31.37	39.54	30.39	3.76	36.95	29.35	34.21	28.25	4.66	31.69	26.94
		63 (17.2)†	43.19	31.97	2.69	41.08	31.02	3.04	38.90	30.06	36.82	29.07	3.78	34.22	28.03	32.20	26.94	4.66	32.20	26.94
		62 (16.7)	42.36	39.45	2.70	40.35	38.44	3.05	38.28	34.20	36.20	36.20	3.78	34.27	34.27	32.20	26.94	4.66	32.20	26.94
		57 (13.9)	41.23	41.23	2.72	39.82	39.82	3.06	37.93	37.93	36.14	36.14	3.78	34.22	34.22	32.16	26.94	4.66	32.16	26.94
1575		72 (22.2)	52.37	28.11	2.48	49.72	27.13	2.90	47.00	26.14	44.15	25.12	3.75	41.21	24.07	38.11	22.98	4.69	34.58	30.00
		67 (19.4)	47.45	35.19	2.62	45.05	34.20	3.00	42.59	33.23	40.05	32.20	3.80	37.37	31.13	34.58	30.00	4.70	34.58	30.00
		63 (17.2)†	43.93	33.72	2.71	41.73	32.75	3.07	39.46	31.77	37.10	30.75	3.82	34.64	29.68	32.04	28.54	4.70	33.12	33.12
		62 (16.7)	43.23	41.84	2.72	41.18	40.82	3.07	39.23	39.23	37.32	37.32	3.82	35.29	35.29	33.12	33.12	4.70	33.12	33.12
		57 (13.9)	42.89	42.69	2.73	40.98	40.98	3.08	39.18	39.18	37.28	37.28	3.82	35.25	35.25	33.08	33.08	4.70	33.08	33.08

COOLING INDOOR MODEL	CAPACITY	POWER	CAPACITY	POWER	COOLING INDOOR MODEL	CAPACITY	POWER	CAPACITY	POWER	FURNACE MODEL
CNPH*4821A**	1.01	1.05	1.01	1.05	CNPH*4221A**	1.01	1.04	1.01	1.03	58PH*070-16
CNPH*4217A**	1.00	1.04	1.00	1.04	CNPH*4212A**	1.00	1.03	1.00	1.03	58PH*090-16
CSPH*4812A**	1.01	1.01	1.01	1.01	CNPH*4812A**	1.01	1.03	1.01	1.03	58PH*110-20
CAP**4817A**	1.00	1.00	1.00	1.00	CNPH*4821A**	1.00	1.04	1.00	1.04	58PH*135-20
CNPH*4221A**	0.99	1.03	0.99	1.03	CNPH*4821A**	0.99	1.03	0.99	1.03	58PH*135-20
CNPH*4821A**	1.00	1.04	1.00	1.04	CNPH*4821A**	1.00	1.04	1.00	1.04	58PH*135-20
CNPH*4217A**	0.99	1.03	0.99	1.03	CNPH*4821A**	0.99	1.03	0.99	1.03	58PH*135-20
CNPH*4212A**	1.00	1.03	1.00	1.03	CNPH*4821A**	1.00	1.04	1.00	1.04	58PH*135-20
CAP**4817A**	1.00	1.00	1.00	1.00	CNPH*4821A**	1.00	1.04	1.00	1.04	58PH*135-20
CNPH*4812A**	1.00	1.00	1.00	1.00	CNPH*4821A**	1.00	1.04	1.00	1.04	58PH*135-20
CNPH*4221A**	1.00	1.04	1.00	1.04	CNPH*4821A**	1.00	1.04	1.00	1.04	58PH*135-20
CNPH*4217A**	0.98	1.06	0.98	1.06	CNPH*4821A**	0.98	1.06	0.98	1.06	58PH*135-20
CNPH*4212A**	1.00	1.03	1.00	1.03	CNPH*4821A**	1.00	1.04	1.00	1.04	58PH*135-20
CAP**4817A**	1.00	1.00	1.00	1.00	CNPH*4821A**	1.00	1.04	1.00	1.04	58PH*135-20
CNPH*4812A**	1.00	1.00	1.00	1.00	CNPH*4821A**	1.00	1.04	1.00	1.04	58PH*135-20
CNPH*4221A**	1.00	1.04	1.00	1.04	CNPH*4821A**	1.00	1.04	1.00	1.04	58PH*135-20
CNPH*4217A**	0.98	1.06	0.98	1.06	CNPH*4821A**	0.98	1.06	0.98	1.06	58PH*135-20
CNPH*4212A**	1.00	1.03	1.00	1.03	CNPH*4821A**	1.00	1.04	1.00	1.04	58PH*135-20
CAP**4817A**	1.00	1.00	1.00	1.00	CNPH*4821A**	1.00	1.04	1.00	1.04	58PH*135-20
CNPH*4812A**	1.00	1.00	1.00	1.00	CNPH*4821A**	1.00	1.04	1.00	1.04	58PH*135-20
CNPH*4221A**	1.00	1.04	1.00	1.04	CNPH*4821A**	1.00	1.04	1.00	1.04	58PH*135-20
CNPH*4217A**	0.98	1.06	0.98	1.06	CNPH*4821A**	0.98	1.06	0.98	1.06	58PH*135-20
CNPH*4212A**	1.00	1.03	1.00	1.03	CNPH*4821A**	1.00	1.04	1.00	1.04	58PH*135-20
CAP**4817A**	1.00	1.00	1.00	1.00	CNPH*4821A**	1.00	1.04	1.00	1.04	58PH*135-20
CNPH*4812A**	1.00	1.00	1.00	1.00	CNPH*4821A**	1.00	1.04	1.00	1.04	58PH*135-20
CNPH*4221A**	1.00	1.04	1.00	1.04	CNPH*4821A**	1.00	1.04	1.00	1.04	58PH*135-20
CNPH*4217A**	0.98	1.06	0.98	1.06	CNPH*4821A**	0.98	1.06	0.98	1.06	58PH*135-20
CNPH*4212A**	1.00	1.03	1.00	1.03	CNPH*4821A**	1.00	1.04	1.00	1.04	58PH*135-20
CAP**4817A**	1.00	1.00	1.00	1.00	CNPH*4821A**	1.00	1.04	1.00	1.04	58PH*135-20
CNPH*4812A**	1.00	1.00	1.00	1.00	CNPH*4821A**	1.00	1.04	1.00	1.04	58PH*135-20
CNPH*4221A**	1.00	1.04	1.00	1.04	CNPH*4821A**	1.00	1.04	1.00	1.04	58PH*135-20
CNPH*4217A**	0.98	1.06	0.98	1.06	CNPH*4821A**	0.98	1.06	0.98	1.06	58PH*135-20
CNPH*4212A**	1.00	1.03	1.00	1.03	CNPH*4821A**	1.00	1.04	1.00	1.04	58PH*135-20
CAP**4817A**	1.00	1.00	1.00	1.00	CNPH*4821A**	1.00	1.04	1.00	1.04	58PH*135-20
CNPH*4812A**	1.00	1.00	1.00	1.00	CNPH*4821A**	1.00	1.04	1.00	1.04	58PH*135-20
CNPH*4221A**	1.00	1.04	1.00	1.04	CNPH*4821A**	1.00	1.04	1.00	1.04	58PH*135-20
CNPH*4217A**	0.98	1.06	0.98	1.06	CNPH*4821A**	0.98	1.06	0.98	1.06	58PH*135-20
CNPH*4212A**	1.00	1.03	1.00	1.03	CNPH*4821A**	1.00	1.04	1.00	1.04	58PH*135-20
CAP**4817A**	1.00	1.00	1.00	1.00	CNPH*4821A**	1.00	1.04	1.00	1.04	58PH*135-20
CNPH*4812A**	1.00	1.00	1.00	1.00	CNPH*4821A**	1.00	1.04	1.00	1.04	58PH*135-20
CNPH*4221A**	1.00	1.04	1.00	1.04	CNPH*4821A**	1.00	1.04	1.00	1.04	58PH*135-20
CNPH*4217A**	0.98	1.06	0.98	1.06	CNPH*4821A**	0.98	1.06	0.98	1.06	58PH*135-20
CNPH*4212A**	1.00	1.03	1.00	1.03	CNPH*4821A**	1.00	1.04	1.00	1.04	58PH*135-20
CAP**4817A**	1.00	1.00	1.00	1.00	CNPH*4821A**	1.00	1.04	1.00	1.04	58PH*135-20
CNPH*4812A**	1.00	1.00	1.00	1.00	CNPH*4821A**	1.00	1.04	1.00	1.04	58PH*135-20
CNPH*4221A**	1.00	1.04	1.00	1.04	CNPH*4821A**	1.00	1.04	1.00	1.04	58PH*135-20
CNPH*4217A**	0.98	1.06	0.98	1.06	CNPH*4821A**	0.98	1.06	0.98	1.06	58PH*135-20
CNPH*4212A**	1.00	1.03	1.00	1.03	CNPH*4821A**	1.00	1.04	1.00	1.04	58PH*135-20
CAP**4817A**	1.00	1.00	1.00	1.00	CNPH*4821A**	1.00	1.04	1.00	1.04	58PH*135-20
CNPH*4812A**	1.00	1.00	1.00	1.00	CNPH*4821A**	1.00	1.04	1.00	1.04	58PH*135-20
CNPH*4221A**	1.00	1.04	1.00	1.04	CNPH*4821A**	1.00	1.04	1.00	1.04	58PH*135-20
CNPH*4217A**	0.98	1.06	0.98	1.06	CNPH*4821A**	0.98	1.06	0.98	1.06	58PH*135-20
CNPH*4212A**	1.00	1.03	1.00	1.03	CNPH*4821A**	1.00	1.04	1.00	1.04	58PH*135-20
CAP**4817A**	1.00	1.00	1.00	1.00	CNPH*4821A**	1.00	1.04	1.00	1.04	58PH*135-20
CNPH*4812A**	1.00	1.00	1.00	1.00	CNPH*4821A**	1.00	1.04	1.00	1.04	58PH*135-20
CNPH*4221A**	1.00	1.04	1.00	1.04	CNPH*4821A**	1.00	1.04	1.00	1.04	58PH*135-20
CNPH*4217A**	0.98	1.06	0.98	1.06	CNPH*4821A**	0.98	1.06	0.98	1.06	58PH*135-20
CNPH*4212A**	1.00	1.03	1.00	1.03	CNPH*4821A**	1.00	1.04	1.00	1.04	58PH*135-20
CAP**4817A**	1.00	1.00	1.00	1.00	CNPH*4821A**	1.00	1.04	1.00	1.04	58PH*135-20
CNPH*4812A**	1.00	1.00	1.00	1.00	CNPH*4821A**	1.00	1.04	1.00	1.04	58PH*135-20
CNPH*4221A**	1.00	1.04	1.00	1.04	CNPH*4821A**	1.00	1.04	1.00	1.04	58PH*135-20
CNPH*4217A**	0.98	1.06	0.98	1.06	CNPH*4821A**	0.98	1.06	0.98	1.06	58PH*135-20
CNPH*4212A**										

DETAILED COOLING CAPACITIES# CONTINUED

25HCC542A30 Outdoor Section With FX4DNF043 Indoor Section

COOLING INDOOR MODEL	CAPACITY	POWER	FURNACE MODEL
CSPH*4212A**	1.00	1.04	59*PSA080E17**16
CSPH*4812A**	1.01	1.05	59*PSA080E17**16
CAP**4221A**	0.98	1.03	59*PSA100E21**16
CAP**4224A**	0.98	1.03	59*PSA100E21**16
CAP**4821A**	0.99	1.03	59*PSA100E21**16
CAP**4823A**	0.99	1.03	59*PSA100E21**16
CAP**4824A**	0.99	1.03	59*PSA100E21**16
CNPV*4221A**	0.98	1.03	59*PSA100E21**16
CNPV*4321A**	1.01	1.01	59*PSA100E21**16
CNPV*4821A**	1.00	1.04	59*PSA100E21**16
CNPV*4221A**	0.98	1.03	59*PSA100E21**16
CNPV*4324A**	1.01	1.01	59*PSA100E21**16
CNPV*4821A**	1.00	1.04	59*PSA100E21**16
CNPV*4824A**	1.00	1.04	59*PSA100E21**16
CSPH*4212A**	1.00	1.04	59*PSA100E21**16
CSPH*4812A**	1.00	1.04	59*PSA100E21**16
CAP**4224A**	0.99	1.03	59*PSA120E24**22
CAP**4823A**	1.00	1.04	59*PSA120E24**22
CAP**4824A**	1.01	1.01	59*PSA120E24**22
CNPV*4221A**	0.99	1.03	59*PSA120E24**22
CNPV*4321A**	1.01	1.01	59*PSA120E24**22
CNPV*4821A**	1.01	1.01	59*PSA120E24**22
CNPV*4324A**	1.01	1.01	59*PSA120E24**22
CNPV*4824A**	1.01	1.01	59*PSA120E24**22
CSPH*4212A**	1.01	1.01	59*PSA120E24**22
CSPH*4812A**	1.01	1.01	59*PSA120E24**22

See note on pg. 50

DETAILED COOLING CAPACITIES# CONTINUED

EVAPORATOR AIR		CONDENSER ENTERING AIR TEMPERATURES °F (°C)																	
		75 (23.9)			85 (29.4)			95 (35)			105 (40.6)			115 (46.1)			125 (51.7)		
		CFM	EWB °F (°C)	Capacity MBtu/h†		Total Sys-tem KW**	Capacity MBtu/h†		Total Sys-tem KW**	Capacity MBtu/h†		Total Sys-tem KW**	Capacity MBtu/h†		Total Sys-tem KW**	Capacity MBtu/h†		Total Sys-tem KW**	
Total	Sens†			Total	Sens†		Total	Sens†		Total	Sens†		Total	Sens†					
25HCC560A30 Outdoor Section With FX4DNF061 Indoor Section																			
	72 (22.2)	69.17	35.96	65.83	34.68	4.20	62.32	33.37	4.63	58.60	31.99	5.12	54.63	30.54	5.68	50.41	29.02	6.30	
	67 (19.4)	63.19	44.51	60.19	43.24	4.13	57.00	41.92	4.56	53.63	40.55	5.05	50.02	39.09	5.61	46.18	37.54	6.25	
1750	63 (17.2)†	58.86	42.93	56.08	41.67	4.08	53.14	40.35	4.51	50.02	38.98	5.00	46.68	37.53	5.56	43.12	35.99	6.21	
	62 (16.7)	57.71	52.83	55.03	51.53	4.07	52.20	50.14	4.50	49.23	48.59	4.99	46.32	46.32	5.56	43.40	43.40	6.21	
	57 (13.9)	55.78	55.78	53.67	53.67	4.05	51.40	51.40	4.49	48.93	48.93	4.99	46.26	46.26	5.56	43.34	43.34	6.21	
	72 (22.2)	70.36	37.71	66.90	36.42	4.28	63.21	35.07	4.71	59.35	33.67	5.20	55.24	32.20	5.75	50.87	30.86	6.38	
	67 (19.4)	64.35	47.38	61.20	46.09	4.21	57.88	44.75	4.64	54.36	43.33	5.13	50.63	41.84	5.69	46.66	40.25	6.32	
2000	63 (17.2)†	59.99	45.61	57.09	44.32	4.15	54.01	42.98	4.59	50.76	41.57	5.08	47.31	40.08	5.64	43.61	38.48	6.28	
	62 (16.7)	58.97	56.64	56.19	55.19	4.15	53.39	53.39	4.58	50.73	50.73	5.08	47.86	47.86	5.64	44.74	44.74	6.28	
	57 (13.9)	58.06	58.06	55.76	55.76	4.14	53.31	53.31	4.58	50.67	50.67	5.08	47.80	47.80	5.65	44.69	44.69	6.29	
	72 (22.2)	71.28	39.37	67.65	38.06	4.38	63.86	36.70	4.79	59.89	35.28	5.27	55.65	33.79	5.82	51.19	32.24	6.45	
	67 (19.4)	65.22	50.14	61.95	48.81	4.28	58.50	47.43	4.71	54.89	45.99	5.20	51.06	44.45	5.76	47.00	42.79	6.39	
2250	63 (17.2)†	60.84	48.17	57.83	46.84	4.23	54.65	45.48	4.66	51.31	44.03	5.15	47.75	42.48	5.71	43.99	40.82	6.35	
	62 (16.7)	60.05	60.05	57.56	57.56	4.23	54.95	54.95	4.67	52.14	52.14	5.16	49.11	49.11	5.73	45.81	45.81	6.38	
	57 (13.9)	59.92	59.92	57.48	57.48	4.23	54.88	54.88	4.67	52.08	52.08	5.16	49.05	49.05	5.73	45.76	45.76	6.38	

COOLING INDOOR MODEL	CAPACITY	POWER	FURNACE MODEL	COOLING INDOOR MODEL			CAPACITY	POWER	FURNACE MODEL	COOLING INDOOR MODEL			CAPACITY	POWER	FURNACE MODEL	
				MODEL	POWER	FURNACE MODEL				MODEL	POWER	FURNACE MODEL				MODEL
*FX4DN(B)F061	1.00	1.00		CNPV*6124A**	0.98	1.02	58CV(A,X)155-22	0.97	1.06	58HDV100--20	0.97	1.01	58PH*135-20	0.98	1.04	58MV(B,C)120-20
FX4CNF060	0.97	1.06		CNPV*6124A**	0.98	1.02	58CV(A,X)155-22	0.97	1.06	58HDV100--20	0.97	1.01	58PH*135-20	0.97	1.06	58MV(B,C)120-20
FE4ANB060	0.99	0.99		CNPV*6124A**	0.98	1.02	58CV(A,X)155-22	0.97	1.06	58HDV100--20	0.97	1.01	58PH*135-20	0.97	1.06	58MV(B,C)120-20
FV4BNB060	0.99	0.99		CNPV*6124A**	0.99	1.03	58CV(A,X)155-22	0.97	1.06	58HDV100--20	0.97	1.01	58PH*135-20	0.97	1.06	58MV(B,C)120-20
FV4CNB F060	0.98	1.03		CNPV*6124A**	0.98	1.02	58CV(A,X)155-22	0.97	1.06	58HDV100--20	0.97	1.01	58PH*135-20	0.97	1.06	58MV(B,C)120-20
FY4ANB060	0.98	1.07		CNPV*6124A**	1.00	1.09	58HDV080--20	0.97	1.06	58HDV100--20	0.97	1.01	58PH*135-20	0.97	1.06	58MV(B,C)120-20
FY5BNB060	0.98	1.07		CNPV*6124A**	0.98	1.02	58CV(A,X)155-22	0.97	1.06	58HDV100--20	0.97	1.01	58PH*135-20	0.97	1.06	58MV(B,C)120-20
CAP**6021A**	0.97	1.06		CNPV*6124A**	0.97	1.06	58HDV100--20	0.97	1.06	58HDV100--20	0.97	1.01	58PH*135-20	0.97	1.06	58MV(B,C)120-20
CAP**6024A**	0.97	1.06		CNPV*6124A**	0.97	1.06	58HDV100--20	0.97	1.06	58HDV100--20	0.97	1.01	58PH*135-20	0.97	1.06	58MV(B,C)120-20
CAP**6025A**	0.97	1.06		CNPV*6124A**	1.00	1.09	58HDV100--20	0.97	1.06	58HDV100--20	0.97	1.01	58PH*135-20	0.97	1.06	58MV(B,C)120-20
CNPV*6024A**	0.97	1.06		CNPV*6124A**	0.97	1.06	58HDV100--20	0.97	1.06	58HDV100--20	0.97	1.01	58PH*135-20	0.97	1.06	58MV(B,C)120-20
CNPV*6124A**	0.98	1.07		CNPV*6124A**	1.01	1.10	58HDV100--20	0.97	1.06	58HDV100--20	0.97	1.01	58PH*135-20	0.97	1.06	58MV(B,C)120-20
CNPV*6024A**	0.97	1.06		CNPV*6124A**	0.97	1.06	58HDV100--20	0.97	1.06	58HDV100--20	0.97	1.01	58PH*135-20	0.97	1.06	58MV(B,C)120-20
CNPV*6124A**	0.99	1.08		CNPV*6124A**	0.96	1.05	58ME(B,C)080-16	0.97	1.06	58ME(B,C)080-16	0.97	1.01	58PH*135-20	0.97	1.06	58MV(B,C)120-20
CSPH*6124A**	0.97	1.06		CNPV*6124A**	0.97	1.06	58ME(B,C)080-16	0.97	1.06	58ME(B,C)080-16	0.97	1.01	58PH*135-20	0.97	1.06	58MV(B,C)120-20
CAP**6021A**	0.97	1.06		CNPV*6124A**	0.97	1.06	58ME(B,C)100-20	0.97	1.06	58ME(B,C)100-20	0.97	1.01	58PH*135-20	0.97	1.06	58MV(B,C)120-20
CNPV*6124A**	0.97	1.06		CNPV*6124A**	0.97	1.06	58ME(B,C)100-20	0.97	1.06	58ME(B,C)100-20	0.97	1.01	58PH*135-20	0.97	1.06	58MV(B,C)120-20
CNPV*6124A**	0.98	1.07		CNPV*6124A**	0.97	1.06	58ME(B,C)100-20	0.97	1.06	58ME(B,C)100-20	0.97	1.01	58PH*135-20	0.97	1.06	58MV(B,C)120-20
CSPH*6124A**	0.98	1.07		CNPV*6124A**	0.98	1.02	58ME(B,C)100-20	0.97	1.06	58ME(B,C)100-20	0.97	1.01	58PH*135-20	0.97	1.06	58MV(B,C)120-20
CAP**6024A**	0.97	1.06		CNPV*6124A**	0.97	1.06	58ME(B,C)100-20	0.97	1.06	58ME(B,C)100-20	0.97	1.01	58PH*135-20	0.97	1.06	58MV(B,C)120-20
CNPV*6124A**	0.97	1.06		CNPV*6124A**	0.97	1.06	58ME(B,C)120-20	0.97	1.06	58ME(B,C)120-20	0.97	1.01	58PH*135-20	0.97	1.06	58MV(B,C)120-20
CNPV*6124A**	0.98	1.02		CNPV*6124A**	0.98	1.02	58ME(B,C)120-20	0.97	1.06	58ME(B,C)120-20	0.97	1.01	58PH*135-20	0.97	1.06	58MV(B,C)120-20
CNPV*6024A**	0.97	1.01		CNPV*6124A**	0.97	1.06	58ME(B,C)120-20	0.97	1.06	58ME(B,C)120-20	0.97	1.01	58PH*135-20	0.97	1.06	58MV(B,C)120-20
CNPV*6124A**	0.97	1.01		CNPV*6124A**	0.97	1.06	58ME(B,C)120-20	0.97	1.06	58ME(B,C)120-20	0.97	1.01	58PH*135-20	0.97	1.06	58MV(B,C)120-20
CNPV*6024A**	0.99	1.03		CNPV*6124A**	0.99	1.03	58ME(B,C)120-20	0.97	1.06	58ME(B,C)120-20	0.97	1.01	58PH*135-20	0.97	1.06	58MV(B,C)120-20
CNPV*6124A**	0.99	1.03		CNPV*6124A**	0.99	1.03	58ME(B,C)120-20	0.97	1.06	58ME(B,C)120-20	0.97	1.01	58PH*135-20	0.97	1.06	58MV(B,C)120-20
CSPH*6124A**	0.99	1.03		CNPV*6124A**	0.99	1.03	58ME(B,C)120-20	0.97	1.06	58ME(B,C)120-20	0.97	1.01	58PH*135-20	0.97	1.06	58MV(B,C)120-20
CAP**6024A**	0.98	1.04		CNPV*6124A**	0.98	1.04	58ME(B,C)120-20	0.97	1.06	58ME(B,C)120-20	0.97	1.01	58PH*135-20	0.97	1.06	58MV(B,C)120-20
CNPV*6124A**	0.98	1.04		CNPV*6124A**	0.98	1.04	58ME(B,C)120-20	0.97	1.06	58ME(B,C)120-20	0.97	1.01	58PH*135-20	0.97	1.06	58MV(B,C)120-20
CSPH*6124A**	0.98	1.04		CNPV*6124A**	0.98	1.04	58ME(B,C)120-20	0.97	1.06	58ME(B,C)120-20	0.97	1.01	58PH*135-20	0.97	1.06	58MV(B,C)120-20
CAP**6024A**	0.98	1.06		CNPV*6124A**	0.98	1.06	58ME(B,C)120-20	0.97	1.06	58ME(B,C)120-20	0.97	1.01	58PH*135-20	0.97	1.06	58MV(B,C)120-20

† Total and sensible capacities are net capacities. Blower motor heat has been subtracted.
 ‡ Sensible capacities shown are based on 80°F (27°C) entering air at the indoor coil. For sensible capacities at other than 80°F (27°C), deduct 835 Btu/h (245 kW) per 1000 CFM (480 L/S) of indoor coil air for each degree below 80°F (27°C), or add 835 Btu/h (245 kW) per 1000 CFM (480 L/S) of indoor coil air per degree above 80°F (27°C).
 # Detailed cooling capacities are based on indoor and outdoor unit at the same elevation per AHRI standard 210/240-2010. If additional tubing length and/or indoor unit is located above outdoor unit, a slight variation in capacity may occur.

HEAT PUMP HEATING PERFORMANCE

INDOOR AIR		OUTDOOR COIL ENTERING AIR TEMPERATURES ° F (° C)																							
		-3 (-19.4)		7 (-13.9)		17 (-8.3)		27 (-2.8)		37 (2.8)		47 (8.3)		57 (13.9)		67 (19.4)									
		Capacity MBtuh	Total Sys. KW†	Capacity MBtuh	Total Sys. KW†	Capacity MBtuh	Total Sys. KW†	Capacity MBtuh	Total Sys. KW†	Capacity MBtuh	Total Sys. KW†	Capacity MBtuh	Total Sys. KW†	Capacity MBtuh	Total Sys. KW†	Capacity MBtuh	Total Sys. KW†								
EDB ° F (° C)	CFM	Total	Integ*	Total	Integ*	Total	Integ*	Total	Integ*	Total	Integ*	Total	Integ*	Total	Integ*	Total	Integ*								
65 (18.3)	525	5.13	4.72	7.34	1.02	7.46	6.85	1.07	9.91	1.11	12.54	11.13	1.18	15.15	13.78	1.24	18.08	18.08	1.32	21.28	21.28	1.41	24.15	24.15	1.48
	600	5.22	4.80	7.46	1.02	7.56	6.94	1.07	9.91	1.11	12.68	11.27	1.17	15.35	13.97	1.22	18.35	18.35	1.29	21.43	21.43	1.35	24.11	24.11	1.42
	675	5.30	4.87	7.56	1.02	7.64	6.94	1.07	10.04	1.11	12.80	11.37	1.16	15.51	14.12	1.20	18.56	18.56	1.27	21.37	21.37	1.31	23.93	23.93	1.37
70 (21.1)	525	4.84	4.45	7.04	1.07	7.04	6.47	1.12	9.43	1.18	12.28	10.90	1.24	14.86	13.52	1.31	17.74	17.74	1.38	20.89	20.89	1.48	23.84	23.84	1.55
	600	4.92	4.53	7.15	1.07	7.15	6.57	1.12	9.58	1.17	12.44	11.04	1.23	15.05	13.70	1.28	18.00	18.00	1.35	21.15	21.15	1.42	23.87	23.87	1.49
	675	4.99	4.59	7.25	1.07	7.25	6.66	1.12	9.71	1.16	12.56	11.16	1.21	15.21	13.84	1.26	18.21	18.21	1.33	21.20	21.20	1.39	23.75	23.75	1.45
75 (23.9)	525	4.50	4.14	6.70	1.11	6.70	6.16	1.17	9.09	1.23	11.98	10.64	1.30	14.56	13.25	1.37	17.39	17.39	1.45	20.50	20.50	1.55	23.52	23.52	1.63
	600	4.59	4.22	6.82	1.12	6.82	6.27	1.17	9.24	1.22	12.15	10.79	1.29	14.75	13.43	1.34	17.65	17.65	1.42	20.82	20.82	1.50	23.58	23.58	1.57
	675	4.66	4.29	6.92	1.12	6.92	6.36	1.17	9.36	1.22	12.29	10.91	1.27	14.91	13.57	1.33	17.86	17.86	1.39	20.95	20.95	1.46	23.53	23.53	1.52

25HCC518A30 Outdoor Section With FX4DNF019 Indoor Section

HEATING INDOOR MODEL	CAPACITY	POWER	FURNACE MODEL
CNPV*1917A**	1.01	0.99	58ME(B,C)060-12
CNPV*2417A**	1.01	1.02	58ME(B,C)060-12
CSPH*2412A**	0.99	1.03	58ME(B,C)060-12
CAP**2414A**	1.01	0.99	58MEB040-12
CNPV*2417A**	1.01	1.00	58MEB040-12
CNPV*1917A**	1.01	0.97	58MEB040-12
CNPV*2417A**	1.01	1.00	58MEB040-12
CSPH*2412A**	0.99	1.01	58MEB040-12
CAP**2414A**	0.99	1.05	58MV(B,C)060-14
CNPV*2417A**	0.99	1.04	58MV(B,C)060-14
CNPV*1917A**	1.00	1.03	58MV(B,C)060-14
CNPV*2417A**	0.99	1.04	58MV(B,C)060-14
CSPH*2412A**	0.99	1.04	58MV(B,C)060-14
CNPV*2417A**	0.99	1.04	58MV(B,C)080-14
CSPH*2412A**	0.99	1.04	58MV(B,C)080-14
CAP**1814A**	1.00	1.06	58MV(B040-14
CAP**2414A**	1.01	1.03	58PH*045-08
CNPV*2417A**	1.01	1.03	58PH*045-08
CNPV*1814A**	1.00	1.04	58PH*045-08
CNPV*2414A**	1.01	1.03	58PH*045-08
CSPH*2412A**	1.01	1.04	58PH*045-08

See note on pg. 62

HEATING INDOOR MODEL	CAPACITY	POWER	FURNACE MODEL
*FX4DNF019	1.00	1.00	
FB4CNF018	1.01	1.05	
FB4CNF024	1.01	1.05	
FE4ANF024	1.00	1.02	
FF1ENP018	1.03	1.15	
FF1ENP019	1.01	1.05	
FF1ENP024	1.03	1.13	
FF1ENP025	1.01	1.02	
FV4BNF002	1.00	1.02	
FV4CNF002	1.00	1.02	
FX4CNF018	1.01	1.05	
FX4CNF024	1.01	1.03	
FX4DNF025	1.00	1.00	
FY4ANF018	1.03	1.14	
FY4ANF024	1.03	1.15	
FY5BNF018	1.03	1.10	
FY5BNF024	1.03	1.09	
CAP**1814A**	1.03	1.15	
CAP**2414A**	1.03	1.12	
CNPV*2417A**	1.03	1.10	
CNPV*2417A**	1.03	1.10	
CNPV*1814A**	1.03	1.12	
CNPV*1917A**	1.03	1.10	
CNPV*2414A**	1.03	1.10	
CNPV*2417A**	1.03	1.10	
CSPH*2412A**	1.03	1.10	
CAP**1814A**	0.98	1.07	58CV(A,X)070-12
CAP**2414A**	0.99	1.05	58CV(A,X)070-12
CNPV*2417A**	0.99	1.04	58CV(A,X)070-12
CNPV*1814A**	0.98	1.04	58CV(A,X)070-12
CNPV*2414A**	0.99	1.04	58CV(A,X)070-12
CSPH*2412A**	0.99	1.04	58CV(A,X)070-12
CAP**2417A**	0.99	1.04	58CV(A,X)090-16
CNPV*2417A**	0.99	1.03	58CV(A,X)090-16
CNPV*1917A**	1.00	1.03	58CV(A,X)090-16
CNPV*2417A**	0.99	1.03	58CV(A,X)090-16
CSPH*2412A**	1.03	1.02	58HDV040--12
CSPH*2412A**	1.03	1.03	58HDV040--12
CNPV*2417A**	1.03	1.02	58HDV060--12
CAP**2417A**	1.01	1.01	58ME(B,C)060-12
CNPV*2417A**	1.01	1.02	58ME(B,C)060-12



25HCC5

HEAT PUMP HEATING PERFORMANCE

INDOOR AIR		OUTDOOR COIL ENTERING AIR TEMPERATURES ° F (° C)																					
		-3 (-19.4)		7 (-13.9)		17 (-8.3)		27 (-2.8)		37 (2.8)		47 (8.3)		57 (13.9)		67 (19.4)							
EDB ° F (° C)	CFM	Capacity MBtuh		Total Sys. KWt		Capacity MBtuh		Total Sys. KWt		Capacity MBtuh		Total Sys. KWt		Capacity MBtuh		Total Sys. KWt							
		Total	Integ*	Total	Integ*	Total	Integ*	Total	Integ*	Total	Integ*	Total	Integ*	Total	Integ*	Total	Integ*						
65 (18.3)	700	8.38	7.71	11.07	1.44	14.28	13.02	1.52	17.14	15.23	1.57	20.39	18.56	1.63	24.08	24.08	1.72	28.29	28.29	1.86	32.83	32.83	2.02
	800	8.52	7.83	11.24	1.44	14.45	13.17	1.50	17.34	15.40	1.54	20.64	18.79	1.60	24.41	24.41	1.68	28.68	28.68	1.81	32.90	32.90	2.04
	900	8.64	7.95	11.39	1.44	14.59	13.30	1.49	17.50	15.54	1.53	20.85	18.98	1.58	24.67	24.67	1.66	28.96	28.96	1.77	32.79	32.79	1.88
70 (21.1)	700	7.98	7.35	10.69	1.51	13.97	12.74	1.59	16.84	14.96	1.65	20.05	18.24	1.71	23.68	23.68	1.81	27.81	27.81	1.95	32.46	32.46	2.13
	800	8.12	7.47	10.86	1.51	14.15	12.90	1.58	17.04	15.13	1.63	20.30	18.47	1.68	24.00	24.00	1.77	28.21	28.21	1.90	32.56	32.56	2.04
	900	8.24	7.58	11.00	1.51	14.30	13.04	1.57	17.21	15.28	1.61	20.50	18.66	1.66	24.26	24.26	1.74	28.53	28.53	1.87	32.53	32.53	1.98
75 (23.9)	700	7.57	6.97	10.29	1.59	13.23	12.06	1.66	16.55	14.70	1.73	19.70	17.93	1.80	23.28	23.28	1.90	27.36	27.36	2.04	31.99	31.99	2.24
	800	7.71	7.09	10.46	1.58	13.44	12.26	1.65	16.74	14.87	1.71	19.94	18.15	1.77	23.59	23.59	1.86	27.76	27.76	1.99	32.27	32.27	2.15
	900	7.82	7.19	10.60	1.58	13.66	12.45	1.64	16.91	15.02	1.70	20.15	18.33	1.75	23.85	23.85	1.83	28.05	28.05	1.96	32.25	32.25	2.08

25HCC524A30 Outdoor Section With FX4DNF025 Indoor Section

HEATING INDOOR MODEL	CAPACITY	POWER	FURNACE MODEL		HEATING INDOOR MODEL	CAPACITY	POWER	FURNACE MODEL		HEATING INDOOR MODEL	CAPACITY	POWER	FURNACE MODEL		HEATING INDOOR MODEL	CAPACITY	POWER	FURNACE MODEL	
			Total	Integ*				Total	Integ*				Total	Integ*				Total	Integ*
*FX4DNF025	1.00	1.00	58PH*045-08	58PH*045-08	CAP**2417A**	1.00	1.03	58PH*045-08	58PH*045-08	CAP**2417A**	1.00	1.03	58PH*045-08	58PH*045-08	CSPH*2412A**	1.00	1.00	58ME(B,C)060-12	58ME(B,C)060-12
FB4CNF024	1.00	1.04	58PH*045-08	58PH*045-08	CAP**3017A**	1.00	1.02	58PH*045-08	58PH*045-08	CAP**3017A**	1.00	1.02	58PH*045-08	58PH*045-08	CAP**2417A**	1.00	1.00	58ME(B,C)060-12	58ME(B,C)060-12
FB4CNF030	1.00	1.00	58PH*045-08	58PH*045-08	CNPV*2417A**	1.00	1.01	58PH*045-08	58PH*045-08	CNPV*2417A**	1.00	1.01	58PH*045-08	58PH*045-08	CAP**3017A**	1.00	0.98	58ME(B,C)060-12	58ME(B,C)060-12
FE4ANB.F003	1.00	1.00	58PH*045-08	58PH*045-08	CNPV*3017A**	1.00	1.02	58PH*045-08	58PH*045-08	CNPV*3017A**	1.00	1.02	58PH*045-08	58PH*045-08	CNPV*2417A**	1.00	0.99	58ME(B,C)060-12	58ME(B,C)060-12
FE4ANF002	1.00	1.00	58PH*045-08	58PH*045-08	CNPV*2414A**	1.00	1.03	58PH*045-08	58PH*045-08	CNPV*2414A**	1.00	1.03	58PH*045-08	58PH*045-08	CNPV*3017A**	1.00	0.98	58ME(B,C)060-12	58ME(B,C)060-12
FF1ENP024	1.00	1.08	58PH*045-08	58PH*045-08	CSPH*2412A**	1.00	1.02	58PH*045-08	58PH*045-08	CSPH*2412A**	1.00	1.02	58PH*045-08	58PH*045-08	CNPV*2417A**	1.00	0.99	58ME(B,C)060-12	58ME(B,C)060-12
FF1ENP025	1.00	1.02	58PH*045-08	58PH*045-08	CSPH*2412A**	1.00	1.02	58PH*045-08	58PH*045-08	CSPH*2412A**	1.00	1.02	58PH*045-08	58PH*045-08	CNPV*3017A**	1.00	0.98	58ME(B,C)060-12	58ME(B,C)060-12
FF1ENP030	1.00	1.08	58PH*045-08	58PH*045-08	CSPH*2412A**	1.00	1.02	58PH*045-08	58PH*045-08	CSPH*2412A**	1.00	1.02	58PH*045-08	58PH*045-08	CNPV*2417A**	1.00	0.99	58ME(B,C)060-12	58ME(B,C)060-12
FF1ENP031	1.00	1.03	58PH*045-08	58PH*045-08	CAP**2414A**	1.00	1.05	58PH*045-08	58PH*045-08	CAP**2414A**	1.00	1.05	58PH*045-08	58PH*045-08	CNPV*3017A**	1.00	0.98	58ME(B,C)060-12	58ME(B,C)060-12
FF1ENP037	1.00	1.01	58PH*045-08	58PH*045-08	CAP**3014A**	1.00	1.04	58PH*045-08	58PH*045-08	CAP**3014A**	1.00	1.04	58PH*045-08	58PH*045-08	CNPV*2417A**	1.00	1.00	58ME(B,C)060-12	58ME(B,C)060-12
FV4BNB.F003	1.00	1.00	58PH*045-08	58PH*045-08	CNPV*2417A**	1.00	1.03	58PH*045-08	58PH*045-08	CNPV*2417A**	1.00	1.03	58PH*045-08	58PH*045-08	CNPV*3017A**	1.00	0.99	58ME(B,C)060-12	58ME(B,C)060-12
FV4BNF002	1.00	1.00	58PH*045-08	58PH*045-08	CNPV*3017A**	1.00	1.03	58PH*045-08	58PH*045-08	CNPV*3017A**	1.00	1.03	58PH*045-08	58PH*045-08	CAP**2417A**	1.00	1.01	58ME(B,C)060-12	58ME(B,C)060-12
FV4CNB.F003	1.00	1.00	58PH*045-08	58PH*045-08	CNPV*2414A**	1.00	1.03	58PH*045-08	58PH*045-08	CNPV*2414A**	1.00	1.03	58PH*045-08	58PH*045-08	CAP**3017A**	1.00	1.00	58ME(B,C)060-12	58ME(B,C)060-12
FV4CNF002	1.00	1.00	58PH*045-08	58PH*045-08	CNPV*3014A**	1.00	1.04	58PH*045-08	58PH*045-08	CNPV*3014A**	1.00	1.04	58PH*045-08	58PH*045-08	CNPV*2417A**	1.00	1.00	58ME(B,C)060-12	58ME(B,C)060-12
FV4CNF024	1.00	1.03	58PH*045-08	58PH*045-08	CSPH*2412A**	1.00	1.03	58PH*045-08	58PH*045-08	CSPH*2412A**	1.00	1.03	58PH*045-08	58PH*045-08	CNPV*3017A**	1.00	1.00	58ME(B,C)060-12	58ME(B,C)060-12
FX4CNF030	1.00	1.00	58PH*045-08	58PH*045-08	CAP**2417A**	1.00	1.04	58PH*045-08	58PH*045-08	CAP**2417A**	1.00	1.04	58PH*045-08	58PH*045-08	CNPV*2417A**	1.00	1.00	58ME(B,C)060-12	58ME(B,C)060-12
FX4DNB.F003	1.00	1.00	58PH*045-08	58PH*045-08	CAP**3017A**	1.00	1.04	58PH*045-08	58PH*045-08	CAP**3017A**	1.00	1.04	58PH*045-08	58PH*045-08	CNPV*3017A**	1.00	1.00	58ME(B,C)060-12	58ME(B,C)060-12
FY4ANF024	1.00	1.06	58PH*045-08	58PH*045-08	CAP**3017A**	1.00	1.03	58PH*045-08	58PH*045-08	CAP**3017A**	1.00	1.03	58PH*045-08	58PH*045-08	CNPV*2417A**	1.00	1.00	58ME(B,C)060-12	58ME(B,C)060-12
FY4ANF030	1.00	1.06	58PH*045-08	58PH*045-08	CNPV*2417A**	1.00	1.02	58PH*045-08	58PH*045-08	CNPV*2417A**	1.00	1.02	58PH*045-08	58PH*045-08	CNPV*3017A**	1.00	1.00	58ME(B,C)060-12	58ME(B,C)060-12
FY5BNF024	1.00	1.04	58PH*045-08	58PH*045-08	CNPV*3017A**	1.00	1.02	58PH*045-08	58PH*045-08	CNPV*3017A**	1.00	1.02	58PH*045-08	58PH*045-08	CNPV*2417A**	1.00	1.00	58ME(B,C)060-12	58ME(B,C)060-12
FY5BNF030	1.00	1.04	58PH*045-08	58PH*045-08	CNPV*2417A**	1.00	1.02	58PH*045-08	58PH*045-08	CNPV*2417A**	1.00	1.02	58PH*045-08	58PH*045-08	CNPV*3017A**	1.00	1.00	58ME(B,C)060-12	58ME(B,C)060-12
CAP**2414A**	1.00	1.06	58PH*045-08	58PH*045-08	CNPV*3017A**	1.00	1.02	58PH*045-08	58PH*045-08	CNPV*3017A**	1.00	1.02	58PH*045-08	58PH*045-08	CNPV*2417A**	1.00	1.00	58ME(B,C)060-12	58ME(B,C)060-12
CAP**2417A**	1.00	1.06	58PH*045-08	58PH*045-08	CNPV*3117A**	1.00	0.98	58PH*045-08	58PH*045-08	CNPV*3117A**	1.00	0.98	58PH*045-08	58PH*045-08	CNPV*2417A**	1.00	1.00	58ME(B,C)060-12	58ME(B,C)060-12
CAP**3014A**	1.00	1.06	58PH*045-08	58PH*045-08	CSPH*2412A**	1.00	1.02	58PH*045-08	58PH*045-08	CSPH*2412A**	1.00	1.02	58PH*045-08	58PH*045-08	CNPV*3017A**	1.00	1.00	58ME(B,C)060-12	58ME(B,C)060-12
CAP**3017A**	1.00	1.06	58PH*045-08	58PH*045-08	CSPH*3012A**	1.00	1.03	58PH*045-08	58PH*045-08	CSPH*3012A**	1.00	1.03	58PH*045-08	58PH*045-08	CNPV*2417A**	1.00	1.00	58ME(B,C)060-12	58ME(B,C)060-12
CNPV*2418A**	1.00	1.04	58PH*045-08	58PH*045-08	CNPV*2417A**	1.00	1.02	58PH*045-08	58PH*045-08	CNPV*2417A**	1.00	1.02	58PH*045-08	58PH*045-08	CNPV*3017A**	1.00	1.00	58ME(B,C)060-12	58ME(B,C)060-12
CNPV*2417A**	1.00	1.04	58PH*045-08	58PH*045-08	CNPV*3017A**	1.00	1.03	58PH*045-08	58PH*045-08	CNPV*3017A**	1.00	1.03	58PH*045-08	58PH*045-08	CNPV*2417A**	1.00	1.00	58ME(B,C)060-12	58ME(B,C)060-12
CNPV*3017A**	1.00	1.05	58PH*045-08	58PH*045-08	CNPV*3017A**	1.00	1.03	58PH*045-08	58PH*045-08	CNPV*3017A**	1.00	1.03	58PH*045-08	58PH*045-08	CNPV*2417A**	1.00	1.00	58ME(B,C)060-12	58ME(B,C)060-12
CNPV*2414A**	1.00	1.04	58PH*045-08	58PH*045-08	CNPV*2417A**	1.00	1.03	58PH*045-08	58PH*045-08	CNPV*2417A**	1.00	1.03	58PH*045-08	58PH*045-08	CNPV*3017A**	1.00	1.00	58ME(B,C)060-12	58ME(B,C)060-12
CNPV*3017A**	1.00	1.05	58PH*045-08	58PH*045-08	CNPV*2412A**	1.00	1.02	58PH*045-08	58PH*045-08	CNPV*2412A**	1.00	1.02	58PH*045-08	58PH*045-08	CNPV*2417A**	1.00	1.00	58ME(B,C)060-12	58ME(B,C)060-12
CNPV*3117A**	1.00	1.01	58PH*045-08	58PH*045-08	CNPV*3017A**	1.00	1.03	58PH*045-08	58PH*045-08	CNPV*3017A**	1.00	1.03	58PH*045-08	58PH*045-08	CNPV*2417A**	1.00	1.00	58ME(B,C)060-12	58ME(B,C)060-12
CSPH*2412A**	1.00	1.04	58PH*045-08	58PH*045-08	CNPV*2417A**	1.00	1.02	58PH*045-08	58PH*045-08	CNPV*2417A**	1.00	1.02	58PH*045-08	58PH*045-08	CNPV*3017A**	1.00	1.00	58ME(B,C)060-12	58ME(B,C)060-12
CSPH*3012A**	1.00	1.05	58PH*045-08	58PH*045-08	CNPV*3017A**	1.00	1.02	58PH*045-08	58PH*045-08	CNPV*3017A**	1.00	1.02	58PH*045-08	58PH*045-08	CNPV*2417A**	1.00	1.00	58ME(B,C)0	

HEAT PUMP HEATING PERFORMANCE

25HCC524A30 Outdoor Section With FX4DHF02E Indoor Section

HEATING INDOOR MODEL	CAPACITY	POWER	FURNACE MODEL
CSPH*2412A**	1.00	1.03	58HDV040--12
CSPH*3012A**	1.00	1.02	58HDV040--12
CAP**3619A**	1.00	0.99	58HDV060--12
CNPH*2417A**	1.00	1.01	58HDV060--12
CNPH*3017A**	1.00	1.00	58HDV060--12
CNPH*3117A**	1.00	0.95	58HDV060--12
CSPH*2412A**	1.00	1.02	58HDV060--12
CSPH*3012A**	1.00	1.00	58HDV060--12

See note on pg. 62

HEAT PUMP HEATING PERFORMANCE

INDOOR AIR		OUTDOOR COIL ENTERING AIR TEMPERATURES ° F (° C)																							
		-3 (-19.4)			7 (-13.9)			17 (-8.3)			27 (-2.8)			37 (2.8)			47 (8.3)			57 (13.9)			67 (19.4)		
		Capacity MBtuh		Total Sys. KWt	Capacity MBtuh		Total Sys. KWt	Capacity MBtuh		Total Sys. KWt	Capacity MBtuh		Total Sys. KWt	Capacity MBtuh		Total Sys. KWt	Capacity MBtuh		Total Sys. KWt	Capacity MBtuh		Total Sys. KWt	Capacity MBtuh		Total Sys. KWt
EDB ° F (° C)	CFM	Total	Integ*	Total	Integ*	Total	Integ*	Total	Integ*	Total	Integ*	Total	Integ*	Total	Integ*	Total	Integ*	Total	Integ*	Total	Integ*	Total	Integ*		
65 (18.3)	875	9.76	8.98	13.14	12.08	1.66	16.80	15.32	1.73	21.11	18.75	1.83	25.07	22.82	1.91	29.50	29.50	2.02	34.45	34.45	2.17	39.00	39.00	2.24	
	1000	9.94	9.15	13.35	12.27	1.66	17.06	15.56	1.73	21.33	18.94	1.81	25.37	23.08	1.89	29.87	29.87	1.98	34.61	34.61	2.04	39.07	39.07	2.17	
	1125	10.10	9.29	13.53	12.44	1.67	17.28	15.75	1.73	21.54	19.13	1.80	25.61	23.31	1.87	30.18	30.18	1.96	34.65	34.65	2.03	38.83	38.83	2.13	
70 (21.1)	875	9.22	8.49	12.63	11.61	1.74	16.30	14.86	1.82	20.75	18.43	1.92	24.68	22.46	2.01	29.04	29.04	2.12	33.93	33.93	2.25	38.55	38.55	2.35	
	1000	9.40	8.65	12.84	11.80	1.74	16.55	15.09	1.81	20.99	18.64	1.90	24.96	22.71	1.98	29.40	29.40	2.08	34.27	34.27	2.18	38.59	38.59	2.28	
	1125	9.56	8.80	13.03	11.97	1.75	16.77	15.29	1.81	21.18	18.81	1.89	25.20	22.93	1.97	29.70	29.70	2.06	34.31	34.31	2.14	38.50	38.50	2.23	
75 (23.9)	875	8.65	7.96	12.09	11.11	1.82	15.76	14.37	1.90	20.33	18.05	2.01	24.28	22.09	2.11	28.57	28.57	2.22	33.39	33.39	2.36	38.09	38.09	2.46	
	1000	8.83	8.12	12.30	11.30	1.82	16.02	14.60	1.90	20.59	18.29	2.00	24.56	22.35	2.08	28.93	28.93	2.16	33.82	33.82	2.29	38.19	38.19	2.39	
	1125	8.98	8.26	12.48	11.47	1.83	16.23	14.80	1.90	20.81	18.48	1.99	24.80	22.56	2.06	29.22	29.22	2.16	33.98	33.98	2.25	38.16	38.16	2.34	

25HCC530A30 Outdoor Section With FX4DNF031 Indoor Section

HEATING INDOOR MODEL	CAPACITY		POWER	FURNACE MODEL		HEATING INDOOR MODEL	CAPACITY		POWER	FURNACE MODEL		HEATING INDOOR MODEL	CAPACITY		POWER	FURNACE MODEL		HEATING INDOOR MODEL	CAPACITY		POWER	FURNACE MODEL		
	Total	Integ*		Total	Integ*		Total	Integ*		Total	Integ*		Total	Integ*		Total	Integ*		Total	Integ*		Total	Integ*	Total
*FX4DN(B)F031	1.00	1.00	1.00	58CV(A,X)070-12	CNPH*3617A**	0.99	0.99	1.04	58CV(A,X)070-12	CNPH*3617A**	0.99	0.99	1.04	58CV(A,X)070-12	CNPH*3617A**	0.99	0.99	1.04	58CV(A,X)070-12	CNPH*3617A**	0.99	0.99	1.04	58ME(B,C)060-12
FB4CNF030	1.01	1.03	1.03	58CV(A,X)070-12	CSPH*3012A**	0.99	1.00	1.04	58CV(A,X)070-12	CSPH*3012A**	0.99	1.00	1.04	58CV(A,X)070-12	CSPH*3012A**	0.99	1.00	1.04	58CV(A,X)070-12	CSPH*3012A**	0.99	1.00	1.04	58ME(B,C)060-12
FB4CNF036	1.01	1.03	1.03	58CV(A,X)070-12	CSPH*3612A**	0.99	1.00	1.01	58CV(A,X)070-12	CSPH*3612A**	0.99	1.00	1.01	58CV(A,X)070-12	CSPH*3612A**	0.99	1.00	1.01	58CV(A,X)070-12	CSPH*3612A**	0.99	1.00	1.01	58ME(B,C)060-12
FE4AN(B)F003	0.99	0.99	1.00	58CV(A,X)090-16	CAP**3017A**	0.99	0.99	1.02	58CV(A,X)090-16	CAP**3017A**	0.99	0.99	1.02	58CV(A,X)090-16	CAP**3017A**	0.99	0.99	1.02	58CV(A,X)090-16	CAP**3017A**	0.99	0.99	1.02	58ME(B,C)060-12
FE4AN(B)F005	0.99	0.99	1.00	58CV(A,X)090-16	CAP**3617A**	0.99	0.99	1.02	58CV(A,X)090-16	CAP**3617A**	0.99	0.99	1.02	58CV(A,X)090-16	CAP**3617A**	0.99	0.99	1.02	58CV(A,X)090-16	CAP**3617A**	0.99	0.99	1.02	58ME(B,C)060-12
FE4ANF002	0.99	1.01	1.01	58CV(A,X)090-16	CNPH*3017A**	0.99	0.99	1.02	58CV(A,X)090-16	CNPH*3017A**	0.99	0.99	1.02	58CV(A,X)090-16	CNPH*3017A**	0.99	0.99	1.02	58CV(A,X)090-16	CNPH*3017A**	0.99	0.99	1.02	58ME(B,C)060-12
FF1ENP030	1.02	1.11	1.11	58CV(A,X)090-16	CNPH*3617A**	0.99	0.99	1.02	58CV(A,X)090-16	CNPH*3617A**	0.99	0.99	1.02	58CV(A,X)090-16	CNPH*3617A**	0.99	0.99	1.02	58CV(A,X)090-16	CNPH*3617A**	0.99	0.99	1.02	58ME(B,C)060-12
FF1ENP031	1.01	1.04	1.04	58CV(A,X)090-16	CNPH*3017A**	0.99	0.99	1.02	58CV(A,X)090-16	CNPH*3017A**	0.99	0.99	1.02	58CV(A,X)090-16	CNPH*3017A**	0.99	0.99	1.02	58CV(A,X)090-16	CNPH*3017A**	0.99	0.99	1.02	58ME(B,C)060-12
FF1ENP036	1.02	1.09	1.09	58CV(A,X)090-16	CNPH*3117A**	1.00	1.00	0.99	58CV(A,X)090-16	CNPH*3117A**	1.00	1.00	0.99	58CV(A,X)090-16	CNPH*3117A**	1.00	1.00	0.99	58CV(A,X)090-16	CNPH*3117A**	1.00	1.00	0.99	58ME(B,C)060-12
FF1ENP037	1.01	1.05	1.05	58CV(A,X)090-16	CNPH*3617A**	0.99	0.99	1.02	58CV(A,X)090-16	CNPH*3617A**	0.99	0.99	1.02	58CV(A,X)090-16	CNPH*3617A**	0.99	0.99	1.02	58CV(A,X)090-16	CNPH*3617A**	0.99	0.99	1.02	58ME(B,C)060-12
FV4BN(B)F003	0.99	0.99	1.00	58CV(A,X)090-16	CNPH*317A**	1.00	1.00	0.97	58CV(A,X)090-16	CNPH*317A**	1.00	1.00	0.97	58CV(A,X)090-16	CNPH*317A**	1.00	1.00	0.97	58CV(A,X)090-16	CNPH*317A**	1.00	1.00	0.97	58ME(B,C)060-12
FV4BN(B)F005	0.99	0.99	1.00	58CV(A,X)090-16	CSPH*3012A**	0.99	0.99	1.03	58CV(A,X)090-16	CSPH*3012A**	0.99	0.99	1.03	58CV(A,X)090-16	CSPH*3012A**	0.99	0.99	1.03	58CV(A,X)090-16	CSPH*3012A**	0.99	0.99	1.03	58ME(B,C)060-12
FV4BNF002	0.99	1.01	1.01	58CV(A,X)090-16	CSPH*3612A**	0.99	0.99	1.00	58CV(A,X)090-16	CSPH*3612A**	0.99	0.99	1.00	58CV(A,X)090-16	CSPH*3612A**	0.99	0.99	1.00	58CV(A,X)090-16	CSPH*3612A**	0.99	0.99	1.00	58ME(B,C)060-12
FV4CN(B)F003	0.99	1.00	1.00	58CV(A,X)110-20	CAP**3621A**	0.99	0.99	1.01	58CV(A,X)110-20	CAP**3621A**	0.99	0.99	1.01	58CV(A,X)110-20	CAP**3621A**	0.99	0.99	1.01	58CV(A,X)110-20	CAP**3621A**	0.99	0.99	1.01	58ME(B,C)060-12
FV4CN(B)F005	0.99	0.95	0.95	58CV(A,X)110-20	CNPH*3017A**	0.99	0.99	1.03	58CV(A,X)110-20	CNPH*3017A**	0.99	0.99	1.03	58CV(A,X)110-20	CNPH*3017A**	0.99	0.99	1.03	58CV(A,X)110-20	CNPH*3017A**	0.99	0.99	1.03	58ME(B,C)060-12
FV4CNF002	0.99	1.01	1.04	58CV(A,X)110-20	CNPH*3617A**	0.99	0.99	1.02	58CV(A,X)110-20	CNPH*3617A**	0.99	0.99	1.02	58CV(A,X)110-20	CNPH*3617A**	0.99	0.99	1.02	58CV(A,X)110-20	CNPH*3617A**	0.99	0.99	1.02	58ME(B,C)060-12
FV4CNF036	1.01	1.03	1.03	58CV(A,X)110-20	CNPH*3621A**	0.99	0.99	1.02	58CV(A,X)110-20	CNPH*3621A**	0.99	0.99	1.02	58CV(A,X)110-20	CNPH*3621A**	0.99	0.99	1.02	58CV(A,X)110-20	CNPH*3621A**	0.99	0.99	1.02	58ME(B,C)060-12
FX4DN(B)F030	1.01	1.03	1.03	58CV(A,X)110-20	CSPH*3012A**	0.99	0.99	1.03	58CV(A,X)110-20	CSPH*3012A**	0.99	0.99	1.03	58CV(A,X)110-20	CSPH*3012A**	0.99	0.99	1.03	58CV(A,X)110-20	CSPH*3012A**	0.99	0.99	1.03	58ME(B,C)060-12
FX4DN(B)F037	1.01	0.98	0.98	58CV(A,X)110-20	CSPH*3612A**	0.99	0.99	0.99	58CV(A,X)110-20	CSPH*3612A**	0.99	0.99	0.99	58CV(A,X)110-20	CSPH*3612A**	0.99	0.99	0.99	58CV(A,X)110-20	CSPH*3612A**	0.99	0.99	0.99	58ME(B,C)060-12
FY4ANF030	1.02	1.09	1.09	58CV(A,X)135-22	CNPH*3017A**	0.99	0.99	1.02	58CV(A,X)135-22	CNPH*3017A**	0.99	0.99	1.02	58CV(A,X)135-22	CNPH*3017A**	0.99	0.99	1.02	58CV(A,X)135-22	CNPH*3017A**	0.99	0.99	1.02	58ME(B,C)060-12
FY4ANF036	1.03	1.10	1.10	58CV(A,X)135-22	CNPH*3617A**	0.99	0.99	1.02	58CV(A,X)135-22	CNPH*3617A**	0.99	0.99	1.02	58CV(A,X)135-22	CNPH*3617A**	0.99	0.99	1.02	58CV(A,X)135-22	CNPH*3617A**	0.99	0.99	1.02	58ME(B,C)060-12
FY5BNF030	1.01	1.04	1.04	58CV(A,X)135-22	CSPH*3012A**	0.99	0.99	1.02	58CV(A,X)135-22	CSPH*3012A**	0.99	0.99	1.02	58CV(A,X)135-22	CSPH*3012A**	0.99	0.99	1.02	58CV(A,X)135-22	CSPH*3012A**	0.99	0.99	1.02	58ME(B,C)060-12
FY5BNF036	1.02	1.07	1.07	58CV(A,X)135-22	CSPH*3612A**	0.99	0.99	0.99	58CV(A,X)135-22	CSPH*3612A**	0.99	0.99	0.99	58CV(A,X)135-22	CSPH*3612A**	0.99	0.99	0.99	58CV(A,X)135-22	CSPH*3612A**	0.99	0.99	0.99	58ME(B,C)060-12
CAP**3014A**	1.03	1.10	1.10	58CV(A,X)155-22	CNPH*3017A**	0.99	0.99	1.02	58CV(A,X)155-22	CNPH*3017A**	0.99	0.99	1.02	58CV(A,X)155-22	CNPH*3017A**	0.99	0.99	1.02	58CV(A,X)155-22	CNPH*3017A**	0.99	0.99	1.02	58ME(B,C)060-12
CAP**3017A**	1.03	1.10	1.10	58CV(A,X)155-22	CNPH*3617A**	0.99	0.99	1.02	58CV(A,X)155-22	CNPH*3617A**	0.99	0.99	1.02	58CV(A,X)155-22	CNPH*3617A**	0.99	0.99	1.02	58CV(A,X)155-22	CNPH*3617A**	0.99	0.99	1.02	58ME(B,C)060-12
CAP**3614A**	1.03	1.09	1.09	58CV(A,X)155-22	CSPH*3012A**	0.99	0.99	1.02	58CV(A,X)155-22	CSPH*3012A**	0.99	0.99	1.02	58CV(A,X)155-22	CSPH*3012A**	0.99	0.99	1.02	58CV(A,X)155-22	CSPH*3012A**	0.99	0.99	1.02	58ME(B,C)060-12
CAP**3617A**	1.03	1.09	1.09	58CV(A,X)155-22	CSPH*3612A**	0.99	0.99	0.99	58CV(A,X)155-22	CSPH*3612A**	0.99	0.99	0.99	58CV(A,X)155-22	CSPH*3612A**	0.99	0.99	0.99	58CV(A,X)155-22	CSPH*3612A**	0.99	0.99	0.99	58ME(B,C)060-12
CAP**3619A**	1.03	1.09	1.09	58HDV040-12	CAP**3619A**	1.01	1.05	1.05	58HDV040-12	CAP**3619A**	1.01	1.05	1.05	58HDV040-12	CAP**3619A**	1.01								

HEAT PUMP HEATING PERFORMANCE

25HCC530A30 Outdoor Section With FX4DHF031 Indoor Section

HEATING INDOOR MODEL	CAPACITY	POWER	FURNACE MODEL
CNPV*3717A**	1.01	0.96	58MV(B,C)060-14
CSPH*3012A**	0.99	1.02	58MV(B,C)060-14
CSPH*3612A**	1.00	0.99	58MV(B,C)060-14
CAP**3621A**	0.99	1.03	58MV(B,C)080-14
CNPH*3017A**	0.99	1.04	58MV(B,C)080-14
CNPH*3617A**	0.99	1.04	58MV(B,C)080-14
CNPV*3621A**	0.99	1.04	58MV(B,C)080-14
CSPH*3012A**	0.99	1.04	58MV(B,C)080-14
CAP**3621A**	0.99	1.02	58MV(B,C)080-20
CNPH*3017A**	0.99	1.03	58MV(B,C)080-20
CNPH*3617A**	0.99	1.03	58MV(B,C)080-20
CNPV*3621A**	0.99	1.03	58MV(B,C)080-20
CSPH*3012A**	0.99	1.03	58MV(B,C)080-20
CSPH*3612A**	0.99	0.99	58MV(B,C)080-20
CAP**3621A**	0.99	1.03	58MV(B,C)100-20
CNPH*3017A**	0.99	1.04	58MV(B,C)100-20
CNPH*3617A**	0.99	1.04	58MV(B,C)100-20
CNPV*3621A**	0.99	1.04	58MV(B,C)100-20
CSPH*3012A**	0.99	1.04	58MV(B,C)100-20
CSPH*3612A**	0.99	1.04	58MV(B,C)100-20
CAP**3617A**	1.00	1.03	58PH*070-16
CNPH*3017A**	1.00	1.04	58PH*070-16
CNPH*3617A**	1.00	1.04	58PH*070-16
CNPV*3617A**	1.00	1.04	58PH*070-16
CNPV*3017A**	1.00	1.04	58PH*070-16
CNPV*3117A**	1.01	1.01	58PH*070-16
CNPV*3617A**	1.00	1.04	58PH*070-16
CNPV*3717A**	1.01	0.98	58PH*070-16
CSPH*3012A**	1.00	1.04	58PH*070-16
CSPH*3612A**	1.01	1.01	58PH*070-16
CAP**3621A**	1.00	1.01	58PH*090-16
CNPH*3017A**	1.00	1.03	58PH*090-16
CNPH*3617A**	1.00	1.03	58PH*090-16
CNPV*3621A**	1.00	1.03	58PH*090-16
CSPH*3012A**	0.99	1.03	58PH*090-16
CSPH*3612A**	1.01	1.00	58PH*090-16

See note on pg. 62

HEAT PUMP HEATING PERFORMANCE

25HCC536A30 Outdoor Section With FX4DNF037 Indoor Section

HEATING INDOOR MODEL	CAPACITY	POWER	FURNACE MODEL
CNPH*4221A**	0.98	1.02	58MEB040-12
CNPH*3617A**	0.98	1.04	58MEB040-12
CNPH*3717A**	0.99	0.98	58MEB040-12
CNPH*4217A**	0.99	1.01	58MEB040-12
CSPH*3612A**	0.99	1.01	58MEB040-12
CSPH*4212A**	0.99	1.00	58MEB040-12
CAP**3617A**	0.98	1.04	58MV(B,C)060-14
CNPH*3617A**	0.98	1.05	58MV(B,C)060-14
CNPH*4221A**	0.98	1.03	58MV(B,C)060-14
CNPH*3617A**	0.98	1.05	58MV(B,C)060-14
CNPH*3717A**	0.99	0.99	58MV(B,C)060-14
CNPH*4217A**	0.99	1.02	58MV(B,C)060-14
CSPH*3612A**	0.99	1.02	58MV(B,C)060-14
CSPH*4212A**	0.99	1.00	58MV(B,C)060-14
CAP**3621A**	0.98	1.05	58MV(B,C)080-14
CNPH*3617A**	0.98	1.04	58MV(B,C)080-14
CNPH*4221A**	0.98	1.06	58MV(B,C)080-14
CNPH*3621A**	0.98	1.04	58MV(B,C)080-14
CNPH*4221A**	0.98	1.04	58MV(B,C)080-14
CNPH*3621A**	0.98	1.06	58MV(B,C)080-14
CNPH*4221A**	0.97	1.05	58MV(B,C)080-20
CNPH*4221A**	0.98	1.04	58MV(B,C)080-20
CNPH*3621A**	0.97	1.05	58MV(B,C)080-20
CNPH*3621A**	0.97	1.05	58MV(B,C)080-20
CNPH*4221A**	0.98	1.04	58MV(B,C)080-20
CNPH*4221A**	0.98	1.04	58MV(B,C)080-20
CNPH*4324A**	0.99	0.99	58MV(B,C)080-20
CSPH*3612A**	0.98	1.02	58MV(B,C)080-20
CSPH*4212A**	0.98	1.02	58MV(B,C)080-20
CAP**3621A**	0.98	1.04	58MV(B,C)100-20
CNPH*3617A**	0.98	1.03	58MV(B,C)100-20
CNPH*4221A**	0.98	1.05	58MV(B,C)100-20
CNPH*4221A**	0.98	1.03	58MV(B,C)100-20
CNPH*3621A**	0.98	1.05	58MV(B,C)100-20
CNPH*4221A**	0.98	1.03	58MV(B,C)100-20
CSPH*3612A**	0.99	1.02	58MV(B,C)100-20
CSPH*4212A**	0.99	1.02	58MV(B,C)100-20
CAP**4224A**	0.97	1.02	58MV(B,C)120-20
CNPH*3617A**	0.97	1.05	58MV(B,C)120-20
CNPH*4221A**	0.97	1.02	58MV(B,C)120-20
CNPH*4324A**	0.99	0.98	58MV(B,C)120-20
CSPH*3612A**	0.98	1.02	58MV(B,C)120-20
CSPH*4212A**	0.98	1.02	58MV(B,C)120-20
CAP**4224A**	0.98	1.04	58MV(B,C)120-20
CNPH*3617A**	0.98	1.04	58MV(B,C)120-20
CNPH*4221A**	0.98	1.07	58MV(B,C)120-20
CNPH*4221A**	0.98	1.05	58MV(B,C)120-20
CNPH*4324A**	0.99	1.00	58MV(B,C)120-20
CSPH*3612A**	0.99	1.04	58MV(B,C)120-20
CSPH*4212A**	0.99	1.03	58MV(B,C)120-20
CAP**3614A**	0.99	1.09	58PH*045-08
CNPH*3617A**	0.99	1.09	58PH*045-08
CNPH*4221A**	0.99	1.07	58PH*045-08
CSPH*3612A**	1.00	1.06	58PH*045-08
CSPH*4212A**	1.01	1.05	58PH*045-08

HEATING INDOOR MODEL	CAPACITY	POWER	FURNACE MODEL
CAP**3617A**	0.98	1.06	58PH*070-16
CNPH*3617A**	0.98	1.07	58PH*070-16
CNPH*4221A**	0.99	1.05	58PH*070-16
CNPH*3617A**	0.98	1.07	58PH*070-16
CNPH*3717A**	1.00	1.01	58PH*070-16
CNPH*4217A**	0.99	1.04	58PH*070-16
CSPH*3612A**	0.99	1.04	58PH*070-16
CSPH*4212A**	0.99	1.03	58PH*070-16
CAP**3621A**	0.98	1.02	58PH*090-16
CNPH*4221A**	0.98	1.01	58PH*090-16
CNPH*3617A**	0.98	1.04	58PH*090-16
CNPH*4221A**	0.98	1.02	58PH*090-16
CNPH*3621A**	0.98	1.04	58PH*090-16
CNPH*4221A**	0.98	1.02	58PH*090-16
CSPH*3612A**	0.99	1.01	58PH*090-16
CSPH*4212A**	0.99	0.99	58PH*090-16
CAP**3621A**	0.98	1.02	58PH*110-20
CNPH*4221A**	0.98	1.01	58PH*110-20
CNPH*3617A**	0.98	1.03	58PH*110-20
CNPH*4221A**	0.98	1.01	58PH*110-20
CNPH*3621A**	0.98	1.03	58PH*110-20
CNPH*4221A**	0.98	1.01	58PH*110-20
CSPH*3612A**	0.99	1.00	58PH*110-20
CSPH*4212A**	0.99	0.98	58PH*110-20

See note on pg. 62

HEAT PUMP HEATING PERFORMANCE

25HCC542A36 Outdoor Section With FX4DHF043 Indoor Section

HEATING INDOOR MODEL	CAPACITY	POWER	FURNACE MODEL
CAP**4821A**	1.01	1.04	58MV(B,C)080-14
CNPH*4221A**	1.01	1.07	58MV(B,C)080-14
CNPH*4821A**	1.01	1.03	58MV(B,C)080-14
CNPV*4221A**	1.01	1.07	58MV(B,C)080-14
CNPV*4821A**	1.01	1.03	58MV(B,C)080-14
CSPH*4212A**	1.01	1.04	58MV(B,C)080-14
CSPH*4812A**	1.01	1.03	58MV(B,C)080-14
CAP**4221A**	1.01	1.06	58MV(B,C)080-20
CNPH*4221A**	1.01	1.03	58MV(B,C)080-20
CNPH*4821A**	1.01	1.06	58MV(B,C)080-20
CNPV*4221A**	1.01	1.06	58MV(B,C)080-20
CNPV*4821A**	1.01	1.03	58MV(B,C)080-20
CSPH*4212A**	1.01	1.03	58MV(B,C)080-20
CSPH*4812A**	1.01	1.02	58MV(B,C)100-20
CAP**4224A**	1.01	1.04	58MV(B,C)100-20
CNPH*4221A**	1.00	1.06	58MV(B,C)100-20
CNPH*4821A**	1.01	1.03	58MV(B,C)100-20
CNPV*4221A**	1.00	1.06	58MV(B,C)100-20
CNPV*4821A**	1.01	1.03	58MV(B,C)100-20
CSPH*4212A**	1.01	1.03	58MV(B,C)100-20
CSPH*4812A**	1.01	1.04	58MV(B,C)120-20
CAP**4224A**	1.01	1.02	58MV(B,C)120-20
CNPH*4221A**	1.00	1.04	58MV(B,C)120-20
CNPH*4821A**	1.01	1.02	58MV(B,C)120-20
CNPV*4221A**	1.01	0.99	58MV(B,C)120-20
CNPV*4824A**	1.01	1.02	58MV(B,C)120-20
CSPH*4212A**	1.00	1.01	58MV(B,C)120-20
CSPH*4812A**	1.01	1.01	58MV(B,C)120-20
CAP**4224A**	1.01	1.07	58MV(B)040-14
CAP**4824A**	1.01	1.04	58MV(B)040-14
CNPH*4221A**	1.01	1.07	58MV(B)040-14
CNPH*4821A**	1.01	1.04	58MV(B)040-14
CNPV*4221A**	1.01	1.01	58MV(B)040-14
CNPV*4824A**	1.01	1.04	58MV(B)040-14
CSPH*4212A**	1.01	1.04	58MV(B)040-14
CSPH*4812A**	1.01	1.03	58MV(B)040-14
CAP**4817A**	1.01	1.03	58PH*070-16
CNPH*4221A**	1.01	1.07	58PH*070-16
CNPH*4821A**	1.01	1.04	58PH*070-16
CNPV*4217A**	1.01	1.06	58PH*070-16
CSPH*4212A**	1.01	1.04	58PH*070-16
CSPH*4812A**	1.01	1.03	58PH*070-16
CAP**4221A**	1.01	1.05	58PH*090-16
CAP**4821A**	1.01	1.02	58PH*090-16
CNPH*4221A**	1.01	1.05	58PH*090-16
CNPH*4821A**	1.01	1.01	58PH*090-16
CNPV*4221A**	1.01	1.05	58PH*090-16
CNPV*4821A**	1.01	1.01	58PH*090-16
CSPH*4212A**	1.01	1.01	58PH*090-16
CSPH*4812A**	1.01	1.04	58PH*110-20
CAP**4221A**	1.01	1.01	58PH*110-20
CNPH*4221A**	1.01	1.05	58PH*110-20
CNPH*4821A**	1.01	1.00	58PH*110-20

HEATING INDOOR MODEL	CAPACITY	POWER	FURNACE MODEL
CNPV*4221A**	1.01	1.05	58PH*110-20
CNPV*4324A**	1.01	0.97	58PH*110-20
CNPH*4821A**	1.01	1.00	58PH*110-20
CSPH*4212A**	1.01	1.01	58PH*110-20
CSPH*4812A**	1.01	1.00	58PH*110-20
CAP**4224A**	1.01	1.04	58PH*135-20
CNPH*4221A**	1.01	1.01	58PH*135-20
CNPH*4821A**	1.01	1.01	58PH*135-20
CNPV*4324A**	1.01	0.98	58PH*135-20
CNPH*4824A**	1.01	1.01	58PH*135-20
CSPH*4212A**	1.01	1.01	58PH*135-20
CSPH*4812A**	1.01	1.01	58PH*135-20

See note on pg. 62

HEAT PUMP HEATING PERFORMANCE

INDOOR AIR		OUTDOOR COIL ENTERING AIR TEMPERATURES ° F (° C)																						
		-3 (-19.4)		7 (-13.9)		17 (-8.3)		27 (-2.8)		37 (2.8)		47 (8.3)		57 (13.9)		67 (19.4)								
EDB ° F (° C)	CFM	Capacity MBtuh		Total Sys. KWt	Capacity MBtuh		Total Sys. KWt	Capacity MBtuh		Total Sys. KWt	Capacity MBtuh		Total Sys. KWt	Capacity MBtuh		Total Sys. KWt								
		Total	Integ*		Total	Integ*		Total	Integ*		Total	Integ*		Total	Integ*									
65 (18.3)	1400	16.37	15.06	2.69	21.66	19.90	2.81	27.28	24.87	2.94	40.09	36.48	3.25	46.59	46.59	3.41	54.10	54.10	3.55	61.91	61.91	3.75		
	1600	16.66	15.33	2.71	22.01	20.22	2.82	27.68	25.24	2.94	34.60	30.73	3.10	40.55	36.90	3.23	47.23	47.23	3.48	54.62	54.62	3.68	62.33	62.33
	1800	16.89	15.54	2.74	22.28	20.47	2.85	28.02	25.54	2.95	34.92	31.02	3.10	40.94	37.26	3.22	47.82	47.82	3.44	54.95	54.95	3.68	62.50	62.50
70 (21.1)	1400	15.67	14.42	2.80	20.94	19.24	2.92	26.53	24.19	3.05	33.62	29.86	3.24	39.50	35.94	3.40	45.90	45.90	3.57	53.35	53.35	3.71	61.09	61.09
	1600	15.92	14.64	2.82	21.26	19.54	2.93	26.91	24.54	3.06	34.06	30.25	3.23	39.96	36.36	3.37	46.50	46.50	3.52	53.89	53.89	3.64	61.56	61.56
	1800	16.18	14.89	2.85	21.57	19.82	2.96	27.28	24.87	3.07	34.42	30.57	3.23	40.35	36.72	3.48	47.13	47.13	3.60	54.27	54.27	3.81	61.81	61.81
75 (23.9)	1400	14.90	13.71	2.92	20.17	18.54	3.04	25.75	23.47	3.18	31.86	28.30	3.34	38.94	35.44	3.55	45.22	45.22	3.72	52.61	52.61	3.88	60.27	60.27
	1600	15.14	13.93	2.94	20.49	18.83	3.06	26.14	23.83	3.18	32.35	28.73	3.33	39.38	35.84	3.52	45.78	45.78	3.68	53.18	53.18	3.81	60.77	60.77
	1800	15.40	14.17	2.97	20.80	19.12	3.08	26.50	24.16	3.20	32.86	29.18	3.34	39.76	36.18	3.50	46.33	46.33	3.64	53.56	53.56	3.77	61.07	61.07

25HCC5-6A30 Outdoor Section With FX4DNF049 Indoor Section

HEATING INDOOR MODEL	CAPACITY	POWER	FURNACE MODEL	HEATING INDOOR MODEL		POWER	FURNACE MODEL	CAPACITY		POWER	FURNACE MODEL	HEATING INDOOR MODEL		CAPACITY	POWER	FURNACE MODEL	HEATING INDOOR MODEL		CAPACITY	POWER	FURNACE MODEL	HEATING INDOOR MODEL		CAPACITY	POWER	FURNACE MODEL	
				Total	Integ*			Total	Integ*			Total	Integ*				Total	Integ*				Total	Integ*				Total
*FX4DN(BF)049	1.00	1.00		CNPH*4821A**	0.97	1.01	58CV(A,X)110-20	0.97	1.01	1.01	58ME(B,C)080-16	CNPH*6012A**	0.99	0.99	1.01	58ME(B,C)100-20	CNPH*6012A**	0.97	1.01	1.01	58ME(B,C)100-20	CNPH*6012A**	0.99	0.99	1.01	58ME(B,C)100-20	58ME(B,C)080-16
FB4CNF048	0.99	1.03		CNPH*6124A**	0.99	1.00	58CV(A,X)110-20	0.99	1.00	1.00	58ME(B,C)100-20	CAP**4821A**	0.98	1.00	1.00	58ME(B,C)100-20	CAP**4821A**	0.97	1.00	1.00	58ME(B,C)100-20	CAP**4821A**	0.98	1.00	1.00	58ME(B,C)100-20	58ME(B,C)100-20
FB4CNF060	0.99	1.00		CSPH*6012A**	0.98	1.02	58CV(A,X)110-20	0.98	1.02	1.02	58ME(B,C)100-20	CNPH*4821A**	0.98	1.00	1.00	58ME(B,C)100-20	CNPH*4821A**	0.97	1.00	1.00	58ME(B,C)100-20	CNPH*4821A**	0.98	1.00	1.00	58ME(B,C)100-20	58ME(B,C)100-20
FE4AN(BF)005	0.97	0.99		CAP**4824A**	0.97	1.00	58CV(A,X)135-22	0.97	1.00	1.00	58ME(B,C)120-20	CNPH*6024A**	0.98	0.99	0.99	58ME(B,C)120-20	CNPH*6024A**	0.98	0.99	0.99	58ME(B,C)120-20	CNPH*6024A**	0.98	0.99	0.99	58ME(B,C)120-20	58ME(B,C)100-20
FE4AN(B)006	0.98	0.97		CAP**6024A**	0.97	1.00	58CV(A,X)135-22	0.97	1.00	1.00	58ME(B,C)120-20	CNPH*6124A**	0.97	0.99	0.99	58ME(B,C)120-20	CNPH*6124A**	0.97	0.99	0.99	58ME(B,C)120-20	CNPH*6124A**	0.98	0.99	0.99	58ME(B,C)100-20	58ME(B,C)100-20
FV4BN(BF)005	0.97	0.99		CNPH*4821A**	0.97	1.00	58CV(A,X)135-22	0.97	1.00	1.00	58ME(B,C)100-20	CNPH*4821A**	0.97	1.00	1.00	58ME(B,C)100-20	CNPH*4821A**	0.97	1.00	1.00	58ME(B,C)100-20	CNPH*4821A**	0.98	0.99	0.99	58ME(B,C)100-20	58ME(B,C)100-20
FV4BN(B)006	0.98	0.97		CNPH*6024A**	0.97	1.00	58CV(A,X)135-22	0.97	1.00	1.00	58ME(B,C)100-20	CNPH*6024A**	0.97	1.00	1.00	58ME(B,C)100-20	CNPH*6024A**	0.97	1.00	1.00	58ME(B,C)100-20	CNPH*6024A**	0.98	0.99	0.99	58ME(B,C)100-20	58ME(B,C)100-20
FV4CN(BF)005	0.98	0.99		CNPH*6124A**	0.97	0.99	58CV(A,X)135-22	0.97	0.99	0.99	58ME(B,C)100-20	CNPH*6124A**	0.97	0.99	0.99	58ME(B,C)100-20	CNPH*6124A**	0.97	0.99	0.99	58ME(B,C)100-20	CNPH*6124A**	0.98	0.99	0.99	58ME(B,C)100-20	58ME(B,C)100-20
FV4CN(B)006	0.98	0.97		CNPH*4824A**	0.97	1.00	58CV(A,X)135-22	0.97	1.00	1.00	58ME(B,C)120-20	CNPH*4824A**	0.97	1.00	1.00	58ME(B,C)120-20	CNPH*4824A**	0.97	1.00	1.00	58ME(B,C)120-20	CNPH*4824A**	0.98	0.99	0.99	58ME(B,C)120-20	58ME(B,C)120-20
FX4CN(BF)048	0.99	1.00		CNPH*6024A**	0.97	1.00	58CV(A,X)135-22	0.97	1.00	1.00	58ME(B,C)120-20	CNPH*6024A**	0.98	0.99	0.99	58ME(B,C)120-20	CNPH*6024A**	0.98	0.99	0.99	58ME(B,C)120-20	CNPH*6024A**	0.98	0.99	0.99	58ME(B,C)120-20	58ME(B,C)120-20
FX4CN(BF)060	0.99	0.98		CNPH*4821A**	0.97	1.00	58CV(A,X)135-22	0.97	1.00	1.00	58ME(B,C)100-20	CNPH*4821A**	0.97	1.00	1.00	58ME(B,C)100-20	CNPH*4821A**	0.97	1.00	1.00	58ME(B,C)100-20	CNPH*4821A**	0.98	0.99	0.99	58ME(B,C)100-20	58ME(B,C)120-20
FX4DN(BF)060	0.99	0.96		CNPH*6124A**	0.97	0.98	58CV(A,X)135-22	0.97	0.98	0.98	58ME(B,C)120-20	CNPH*6124A**	0.97	0.99	0.99	58ME(B,C)120-20	CNPH*6124A**	0.97	0.99	0.99	58ME(B,C)120-20	CNPH*6124A**	0.98	0.99	0.99	58ME(B,C)120-20	58ME(B,C)120-20
FX4AN(B)060	1.01	1.04		CSPH*4812A**	0.97	1.00	58CV(A,X)135-22	0.97	1.00	1.00	58ME(B,C)100-20	CSPH*4812A**	0.97	1.00	1.00	58ME(B,C)100-20	CSPH*4812A**	0.97	1.00	1.00	58ME(B,C)100-20	CSPH*4812A**	0.98	0.99	0.99	58ME(B,C)100-20	58ME(B,C)120-20
FY4AN(F)048	1.00	1.06		CNPH*6012A**	0.97	0.98	58CV(A,X)155-22	0.97	0.98	0.98	58ME(B,C)120-20	CNPH*6012A**	0.97	0.98	0.98	58ME(B,C)120-20	CNPH*6012A**	0.97	0.98	0.98	58ME(B,C)120-20	CNPH*6012A**	0.98	0.99	0.99	58ME(B,C)120-20	58ME(B,C)120-20
FY5BN(B)060	1.03	1.07		CAP**4824A**	0.97	1.00	58CV(A,X)155-22	0.97	1.00	1.00	58ME(B,C)120-20	CAP**4824A**	0.97	1.00	1.00	58ME(B,C)120-20	CAP**4824A**	0.97	1.00	1.00	58ME(B,C)120-20	CAP**4824A**	0.98	0.99	0.99	58ME(B,C)120-20	58ME(B,C)120-20
FY5BN(F)048	0.99	1.01		CNPH*4821A**	0.97	0.99	58CV(A,X)155-22	0.97	0.99	0.99	58ME(B,C)100-20	CNPH*4821A**	0.97	0.99	0.99	58ME(B,C)100-20	CNPH*4821A**	0.97	0.99	0.99	58ME(B,C)100-20	CNPH*4821A**	0.98	0.99	0.99	58ME(B,C)100-20	58ME(B,C)120-20
CAP**4817A**	0.99	1.04		CNPH*6024A**	0.97	0.99	58CV(A,X)155-22	0.97	0.99	0.99	58ME(B,C)120-20	CNPH*6024A**	0.97	0.99	0.99	58ME(B,C)120-20	CNPH*6024A**	0.97	0.99	0.99	58ME(B,C)120-20	CNPH*6024A**	0.98	0.99	0.99	58ME(B,C)120-20	58ME(B,C)120-20
CAP**4823A**	1.00	1.05		CNPH*6024A**	0.97	0.98	58CV(A,X)155-22	0.97	0.98	0.98	58ME(B,C)120-20	CNPH*6024A**	0.97	0.98	0.98	58ME(B,C)120-20	CNPH*6024A**	0.97	0.98	0.98	58ME(B,C)120-20	CNPH*6024A**	0.98	0.99	0.99	58ME(B,C)120-20	58ME(B,C)120-20
CAP**4824A**	1.00	1.05		CNPH*6124A**	0.97	0.99	58CV(A,X)155-22	0.97	0.99	0.99	58ME(B,C)120-20	CNPH*6124A**	0.97	0.99	0.99	58ME(B,C)120-20	CNPH*6124A**	0.97	0.99	0.99	58ME(B,C)120-20	CNPH*6124A**	0.98	0.99	0.99	58ME(B,C)120-20	58ME(B,C)120-20
CAP**6021A**	1.00	1.03		CNPH*6024A**	0.97	1.00	58CV(A,X)155-22	0.97	1.00	1.00	58ME(B,C)120-20	CNPH*6024A**	0.98	0.99	0.99	58ME(B,C)120-20	CNPH*6024A**	0.98	0.99	0.99	58ME(B,C)120-20	CNPH*6024A**	0.98	0.99	0.99	58ME(B,C)120-20	58ME(B,C)120-20
CAP**6024A**	1.00	1.03		CNPH*4812A**	0.97	0.99	58CV(A,X)155-22	0.97	0.99	0.99	58ME(B,C)100-20	CNPH*4812A**	0.97	0.99	0.99	58ME(B,C)100-20	CNPH*4812A**	0.97	0.99	0.99	58ME(B,C)100-20	CNPH*4812A**	0.98	0.99	0.99	58ME(B,C)100-20	58ME(B,C)120-20
CAP**6025A**	1.00	1.03		CSPH*6012A**	0.97	1.00	58CV(A,X)155-22	0.97	1.00	1.00	58ME(B,C)120-20	CSPH*6012A**	0.97	1.00	1.00	58ME(B,C)120-20	CSPH*6012A**	0.97	1.00	1.00	58ME(B,C)120-20	CSPH*6012A**	0.98	0.99	0.99	58ME(B,C)120-20	58ME(B,C)120-20
CNPF*4818A**	0.98	1.06		CNPH*6012A**	0.97	0.97	58CV(A,X)155-22	0.97	0.97	0.97	58ME(B,C)100-20	CNPH*6012A**	0.97	0.97	0.97	58ME(B,C)100-20	CNPH*6012A**	0.97	0.97	0.97	58ME(B,C)100-20	CNPH*6012A**	0.98	0.99	0.99	58ME(B,C)100-20	58ME(B,C)120-20
CNPH*4821A**	1.00	1.05		CAP**4823A**	0.99	1.04	58HDV080-20	0.99	1.04	1.04	58ME(B,C)080-20	CNPH*4821A**	0.99	1.04	1.04	58ME(B,C)080-20	CNPH*4821A**	0.99	1.04	1.04	58ME(B,C)080-20	CNPH*4821A**	0.99	1.04	1.04	58ME(B,C)080-20	58ME(B,C)080-20
CNPH*6024A**	1.00	1.04		CNPH*4821A**	0.99	1.03	58HDV080-20	0.99	1.03	1.03	58ME(B,C)080-20	CNPH*6024A**	1.00	1.03	1.03	58ME(B,C)080-20	CNPH*6024A**	1.00	1.03	1.03	58ME(B,C)080-20	CNPH*6024A**	1.00	1.03	1.03	58ME(B,C)080-20	58ME(B,C)080-20
CNPH*6124A**	1.01	1.03		CNPH*6024A**	1.0																						

HEAT PUMP HEATING PERFORMANCE

25HCC548A30 Outdoor Section With FX4DNF049 Indoor Section

HEATING INDOOR MODEL	CAPACITY	POWER	FURNACE MODEL
CNPV*6024A**	0.98	1.01	58MW(B,C)120-20
CNPV*6124A**	0.98	0.99	58MW(B,C)120-20
CNPV*6124A**	1.00	1.01	58MW(B,C)120-20
CSPH*4812A**	0.98	1.02	58MW(B,C)120-20
CSPH*6012A**	0.98	1.00	58MW(B,C)120-20
CAP**4821A**	0.98	1.02	58PH*090-16
CAP**6021A**	0.98	1.00	58PH*090-16
CNPV*4821A**	0.98	1.01	58PH*090-16
CNPV*6024A**	0.98	1.00	58PH*090-16
CNPV*6124A**	0.99	1.00	58PH*090-16
CNPV*4821A**	0.98	1.01	58PH*090-16
CSPH*4812A**	0.98	1.01	58PH*090-16
CSPH*6012A**	0.98	0.99	58PH*090-16
CAP**4821A**	0.97	1.01	58PH*110-20
CAP**6021A**	0.97	0.99	58PH*110-20
CNPV*4821A**	0.97	1.00	58PH*110-20
CNPV*6024A**	0.97	1.00	58PH*110-20
CNPV*6124A**	0.98	0.99	58PH*110-20
CNPV*4821A**	0.97	1.00	58PH*110-20
CSPH*4812A**	0.97	1.00	58PH*110-20
CSPH*6012A**	0.98	0.98	58PH*110-20
CAP**4824A**	0.98	1.01	58PH*135-20
CAP**6024A**	0.98	1.00	58PH*135-20
CNPV*4821A**	0.97	1.00	58PH*135-20
CNPV*6024A**	0.98	1.00	58PH*135-20
CNPV*6124A**	0.98	0.99	58PH*135-20
CNPV*4824A**	0.97	1.00	58PH*135-20
CNPV*6024A**	0.98	1.00	58PH*135-20
CNPV*6124A**	0.98	0.97	58PH*135-20
CSPH*4812A**	0.98	1.01	58PH*135-20
CSPH*6012A**	0.98	0.99	58PH*135-20

See note on pg. 62

HEAT PUMP HEATING PERFORMANCE CONTINUED

INDOOR AIR		OUTDOOR COIL ENTERING AIR TEMPERATURES ° F (° C)																							
		-3 (-19.4)			7 (-13.9)			17 (-8.3)			27 (-2.8)			37 (2.8)			47 (8.3)			57 (13.9)			67 (19.4)		
		Capacity MBtuh		Total Sys. KW†	Capacity MBtuh		Total Sys. KW†	Capacity MBtuh		Total Sys. KW†	Capacity MBtuh		Total Sys. KW†	Capacity MBtuh		Total Sys. KW†	Capacity MBtuh		Total Sys. KW†	Capacity MBtuh		Total Sys. KW†	Capacity MBtuh		Total Sys. KW†
EDB ° F (° C)	CFM	Total		Integ*		Total		Integ*		Total		Integ*		Total		Integ*		Total		Integ*		Total		Integ*	
		20.70	19.04	3.28	27.02	24.83	3.42	33.72	30.75	3.56	41.23	36.62	3.72	49.82	45.33	3.93	57.86	57.86	4.12	67.41	67.41	4.34	78.26	78.26	4.58
		21.11	19.43	3.32	27.50	25.28	3.45	34.30	31.27	3.58	42.09	37.39	3.72	50.38	45.85	3.90	58.60	58.60	4.07	68.57	68.57	4.25	79.11	79.11	4.49
70 (21.1)	2000	Total		Integ*		Total		Integ*		Total		Integ*		Total		Integ*		Total		Integ*		Total		Integ*	
		19.65	18.07	3.42	26.01	23.91	3.57	32.79	29.90	3.72	40.18	35.69	3.88	49.10	44.68	4.11	57.00	57.00	4.30	66.31	66.31	4.55	77.15	77.15	4.78
		20.06	18.45	3.46	26.49	24.34	3.59	33.34	30.39	3.73	40.83	36.28	3.88	49.67	45.20	4.08	57.72	57.72	4.26	67.32	67.32	4.46	78.01	78.01	4.68
75 (23.9)	2000	Total		Integ*		Total		Integ*		Total		Integ*		Total		Integ*		Total		Integ*		Total		Integ*	
		20.43	18.80	3.50	26.91	24.73	3.63	33.81	30.82	3.76	41.39	36.76	3.89	50.19	45.68	4.08	58.34	58.34	4.24	68.30	68.30	4.40	78.62	78.62	4.63
		18.54	17.06	3.56	24.96	22.94	3.72	31.79	28.98	3.88	38.14	34.76	4.06	48.41	44.05	4.30	56.16	56.16	4.50	65.21	65.21	4.76	76.04	76.04	4.99
2250	18.95	17.44	3.60	25.43	23.37	3.75	32.33	29.47	3.90	39.76	35.31	4.05	49.00	44.59	4.27	56.88	56.88	4.45	66.27	66.27	4.66	76.93	76.93	4.89	
2250	19.32	17.77	3.65	25.85	23.76	3.79	32.79	29.90	3.92	40.31	35.80	4.06	49.45	45.00	4.26	57.47	57.47	4.43	67.20	67.20	4.61	77.54	77.54	4.83	

25HCC560A30 Outdoor Section With FX4DNF061 Indoor Section

HEATING INDOOR MODEL	CAPACITY	POWER	FURNACE MODEL		HEATING INDOOR MODEL	CAPACITY	POWER	FURNACE MODEL		HEATING INDOOR MODEL	CAPACITY	POWER	FURNACE MODEL		HEATING INDOOR MODEL	CAPACITY	POWER	FURNACE MODEL		HEATING INDOOR MODEL	CAPACITY	POWER	FURNACE MODEL	
			Total	Integ*				Total	Integ*				Total	Integ*				Total	Integ*				Total	Integ*
*FX4DN(B)F061	1.00	1.00	58CV(A,X)135-22		CNPH*6124A**	0.99	1.02	58CV(A,X)135-22		CNPH*6124A**	0.99	1.04	58ME(B,C)100-20		CNPH*6124A**	0.99	1.04	58ME(B,C)100-20		CNPH*6124A**	0.99	1.03	58ME(B,C)100-20	
FB4CNF060	0.98	1.03	58CV(A,X)135-22		CNPH*6124A**	0.99	1.03	58CV(A,X)135-22		CNPH*6124A**	0.99	1.03	58ME(B,C)100-20		CNPH*6124A**	0.99	1.03	58ME(B,C)100-20		CNPH*6124A**	0.99	1.03	58ME(B,C)100-20	
FE4ANB006	0.98	0.98	58CV(A,X)135-22		CNPH*6124A**	0.99	1.00	58CV(A,X)135-22		CNPH*6124A**	0.99	1.02	58ME(B,C)100-20		CNPH*6124A**	0.99	1.02	58ME(B,C)100-20		CNPH*6124A**	0.99	1.02	58ME(B,C)100-20	
FV4BNB006	0.98	0.98	58CV(A,X)135-22		CNPH*6124A**	0.99	1.02	58CV(A,X)135-22		CNPH*6124A**	0.99	1.02	58ME(B,C)100-20		CNPH*6124A**	0.99	1.02	58ME(B,C)100-20		CNPH*6124A**	0.99	1.03	58ME(B,C)100-20	
FV4CNB006	0.98	0.98	58CV(A,X)135-22		CNPH*6124A**	0.99	1.02	58CV(A,X)135-22		CNPH*6124A**	0.99	1.02	58ME(B,C)100-20		CNPH*6124A**	0.99	1.02	58ME(B,C)100-20		CNPH*6124A**	0.99	1.03	58ME(B,C)100-20	
FX4CN(B)F060	0.98	0.99	58CV(A,X)155-22		CNPH*6124A**	0.99	1.02	58CV(A,X)155-22		CNPH*6124A**	0.99	1.02	58ME(B,C)100-20		CNPH*6124A**	0.99	1.02	58ME(B,C)100-20		CNPH*6124A**	0.99	1.02	58ME(B,C)100-20	
FY4ANB060	1.00	1.05	58CV(A,X)155-22		CNPH*6124A**	0.99	1.01	58CV(A,X)155-22		CNPH*6124A**	0.99	1.01	58ME(B,C)100-20		CNPH*6124A**	0.99	1.01	58ME(B,C)100-20		CNPH*6124A**	0.99	1.03	58ME(B,C)100-20	
FY5BNB060	1.00	1.05	58CV(A,X)155-22		CNPH*6124A**	0.99	1.02	58CV(A,X)155-22		CNPH*6124A**	0.99	1.02	58ME(B,C)100-20		CNPH*6124A**	0.99	1.02	58ME(B,C)100-20		CNPH*6124A**	0.99	1.02	58ME(B,C)100-20	
CAP**6021A**	0.99	1.04	58CV(A,X)155-22		CNPH*6124A**	0.99	1.00	58CV(A,X)155-22		CNPH*6124A**	0.99	1.00	58ME(B,C)100-20		CNPH*6124A**	0.99	1.00	58ME(B,C)100-20		CNPH*6124A**	0.99	1.02	58ME(B,C)100-20	
CAP**6024A**	0.99	1.04	58CV(A,X)155-22		CNPH*6124A**	1.02	1.08	58HDV080--20		CNPH*6124A**	1.02	1.08	58ME(B,C)100-20		CNPH*6124A**	1.02	1.08	58ME(B,C)100-20		CNPH*6124A**	1.02	1.04	58ME(B,C)100-20	
CAP**6025A**	0.99	1.04	58CV(A,X)155-22		CNPH*6124A**	1.04	1.09	58HDV080--20		CNPH*6124A**	1.04	1.09	58ME(B,C)100-20		CNPH*6124A**	1.04	1.09	58ME(B,C)100-20		CNPH*6124A**	1.04	1.03	58ME(B,C)100-20	
CNPH*6124A**	0.99	1.03	58CV(A,X)155-22		CNPH*6124A**	1.02	1.07	58HDV080--20		CNPH*6124A**	1.02	1.07	58ME(B,C)100-20		CNPH*6124A**	1.02	1.07	58ME(B,C)100-20		CNPH*6124A**	1.02	1.03	58ME(B,C)100-20	
CNPH*6124A**	0.99	1.04	58CV(A,X)155-22		CNPH*6124A**	1.02	1.08	58HDV100--20		CNPH*6124A**	1.02	1.08	58ME(B,C)100-20		CNPH*6124A**	1.02	1.08	58ME(B,C)100-20		CNPH*6124A**	1.02	1.02	58ME(B,C)100-20	
CNPH*6124A**	0.99	1.03	58CV(A,X)155-22		CNPH*6124A**	1.03	1.08	58HDV100--20		CNPH*6124A**	1.03	1.08	58ME(B,C)100-20		CNPH*6124A**	1.03	1.08	58ME(B,C)100-20		CNPH*6124A**	1.03	1.01	58ME(B,C)100-20	
CNPH*6124A**	0.99	1.04	58CV(A,X)110-20		CNPH*6124A**	1.02	1.08	58HDV100--20		CNPH*6124A**	1.02	1.08	58ME(B,C)100-20		CNPH*6124A**	1.02	1.08	58ME(B,C)100-20		CNPH*6124A**	1.02	1.04	58ME(B,C)100-20	
CNPH*6124A**	0.99	1.04	58CV(A,X)110-20		CNPH*6124A**	1.03	1.06	58HDV100--20		CNPH*6124A**	1.03	1.06	58ME(B,C)100-20		CNPH*6124A**	1.03	1.06	58ME(B,C)100-20		CNPH*6124A**	1.03	1.04	58ME(B,C)100-20	
CNPH*6124A**	0.99	1.03	58CV(A,X)110-20		CNPH*6124A**	1.02	1.06	58HDV100--20		CNPH*6124A**	1.02	1.06	58ME(B,C)100-20		CNPH*6124A**	1.02	1.06	58ME(B,C)100-20		CNPH*6124A**	1.02	1.04	58ME(B,C)100-20	
CNPH*6124A**	0.99	1.03	58CV(A,X)110-20		CNPH*6124A**	0.99	1.06	58ME(B,C)080-16		CNPH*6124A**	0.99	1.06	58ME(B,C)080-16		CNPH*6124A**	0.99	1.06	58ME(B,C)080-16		CNPH*6124A**	0.99	1.01	58ME(B,C)080-16	
CAP**6024A**	0.99	1.03	58CV(A,X)135-22		CNPH*6124A**	0.99	1.05	58ME(B,C)080-16		CNPH*6124A**	0.99	1.05	58ME(B,C)080-16		CNPH*6124A**	0.99	1.05	58ME(B,C)080-16		CNPH*6124A**	0.99	1.02	58ME(B,C)080-16	
CNPH*6024A**	0.99	1.03	58CV(A,X)135-22		CNPH*6124A**	0.99	1.04	58ME(B,C)100-20		CNPH*6124A**	0.99	1.04	58ME(B,C)100-20		CNPH*6124A**	0.99	1.04	58ME(B,C)100-20		CNPH*6124A**	0.99	1.02	58ME(B,C)100-20	

NOTE: When the required data falls between the published data, interpolation may be performed. Extrapolation is not an acceptable practice.

* The Btuh heating capacity values shown are net integrated values from which the defrost effect has been subtracted. The Btuh heating from supplement heaters should be added to those values to obtain total system capacity.

† The kW values include the compressor, outdoor fan motor, and indoor blower motor. The kW from supplement heaters should be added to those values to obtain total system kilowatts.

EDB — Entering Dry Bulb

GUIDE SPECIFICATIONS

GENERAL

AIR-COOLED, SPLIT-SYSTEM HEAT PUMP
25HCC5
1-1/2 TO 5 NOMINAL TONS

System Description

Outdoor-mounted, air-cooled, split-system heat pump unit suitable for ground or rooftop installation. Unit consists of a hermetic compressor, an air-cooled coil, propeller-type condenser fan, and a control box. Unit will discharge supply air upward as shown on contract drawings. Unit will be used in a refrigeration circuit to match up to a packaged fan coil or coil unit.

Quality Assurance

- Unit will be rated in accordance with the latest edition of AHRI Standard 240.
- Unit will be certified for capacity and efficiency, and listed in the latest AHRI directory.
- Unit construction will comply with latest edition of ANSI/ASHRAE and with NEC.
- Unit will be constructed in accordance with UL standards and will carry the UL label of approval. Unit will have C-UL approval.
- Unit cabinet will be capable of withstanding Federal Test Method Standard No. 141 (Method 6061) 500-hr salt spray test.
- Air-cooled condenser coils are pressure tested and the outdoor unit is leak tested.
- Unit constructed in ISO9001 approved facility.

Delivery, Storage, and Handling

- Unit will be shipped as single package only and is stored and handled per unit manufacturer's recommendations.

Warranty (for inclusion by specifying engineer)

- U.S. and Canada only.

PRODUCTS

Equipment

- Factory assembled, single piece, air-cooled heat pump unit. Contained within the unit enclosure is all factory wiring, piping, controls, compressor, refrigerant charge Puron® (R-410A), and special features required prior to field start-up.

Unit Cabinet

- Unit cabinet will be constructed of galvanized steel, bonderized, and coated with a powder coat paint.

Fans

- Condenser fan will be direct-drive propeller type, discharging air upward.
- Condenser fan motors will be totally enclosed, 1-phase type with class B insulation and permanently lubricated bearings.
- Shafts will be corrosion resistant.
- Fan blades will be statically and dynamically balanced.
- Condenser fan openings will be equipped with steel wire safety guards.

Compressor

- Compressor will be hermetically sealed.
- Compressor will be mounted on rubber vibration isolators.

Condenser Coil

- Condenser coil will be air cooled.
- Coil will be constructed of aluminum fins mechanically bonded to copper tubes which are then cleaned, dehydrated, and sealed.

Refrigeration Components

- Refrigeration circuit components will include liquid-line shutoff valve with sweat connections, vapor-line shutoff valve with sweat connections, system charge of Puron® (R-410A) refrigerant, POE compressor oil, accumulator, and reversing valve.

Operating Characteristics

- The capacity of the unit will meet or exceed _____ Btuh at a suction temperature of _____ °F/°C. The power consumption at full load will not exceed _____ kW.
- Combination of the unit and the evaporator or fan coil unit will have a total net cooling capacity of _____ Btuh or greater at conditions of _____ CFM entering air temperature at the evaporator at _____ °F wet bulb and _____ °F/°C dry bulb, and air entering the unit at _____ °F/°C.
- The system will have a SEER of _____ Btuh/watt or greater at DOE conditions.

Electrical Requirements

- Nominal unit electrical characteristics will be _____ v, single phase, 60 hz. The unit will be capable of satisfactory operation within voltage limits of _____ v to _____ v.
- Nominal unit electrical characteristics will be _____ v, three phase, 60 hz. The unit will be capable of satisfactory operation within voltage limits of _____ v to _____ v.
- Unit electrical power will be single point connection.
- Control circuit will be 24v.

Special Features

- Refer to section of this literature identifying accessories and descriptions for specific features and available enhancements.

25HCC5

SYSTEM DESIGN SUMMARY

1. Intended for outdoor installation with free air inlet and outlet. Outdoor fan external static pressure available is less than 0.01-in. wc.
2. Minimum outdoor operating air temperature without low-ambient operation accessory is 55°F (12.8°C).
3. Maximum outdoor operating air temperature for cooling mode is 125°F (51.7°C).
4. Minimum outdoor operating air temperature for heating mode is -30°F (-34.4°C).
5. Maximum outdoor operating air temperature for heating mode is 66°F (18.9°C).
6. For reliable operation, unit should be level in all horizontal planes.
7. For interconnecting refrigerant tube lengths greater than 80 ft (23.4 m) and/or elevation differences between indoor and outdoor units greater than 20 ft (6.1 m), consult Residential Piping and Longline Guideline and Service Manual available from equipment distributor.
8. If any refrigerant tubing is buried, provide a 6 in. (152.4 mm) vertical rise to the valve connections at the unit. Refrigerant tubing lengths up to 36 in. (914.4 mm) may be buried without further consideration. Do not bury refrigerant lines longer than 36 in. (914.4 mm).
9. Use only copper wire for electric connection at unit. Aluminum and clad aluminum are not acceptable for the type of connector provided.
10. Do not apply capillary tube indoor coils to these units.
11. Factory-supplied filter drier must be installed.

25HCC5